



# H<sup>®</sup> TECHNICAL BULLETIN

## HAS™ 46K Plus

**SUBJECT:** Aftermarket Service Kit No. 49175-024  
for Severe Service Applications

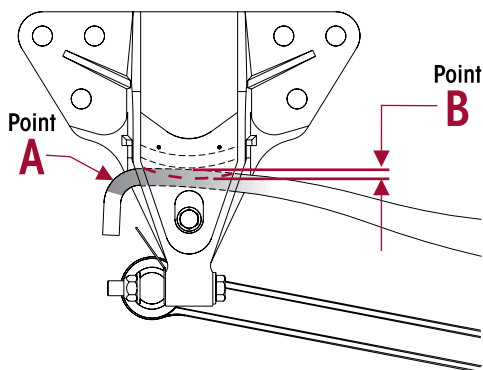
**LIT NO:** SEU-0103

**DATE:** December 2023

**REVISION:** B

### IMPORTANT NOTICE

**FIGURE 1**



### AFTERMARKET HAS 46K PLUS SERVICE KIT

Hendrickson has developed a service kit for the HAS 46K suspension that enhances the durability in logging and other severe service applications. When installed, the service kit upgrades the HAS 46K capacity to an HAS 46K Plus. The service kit has a unique rebound roller design and a main support member that is ¼" thicker at the tip, see Figure 1, Point **A**.

The HAS 46K could be subjected to premature wear that could require the replacement of both main support members and slipper pads. **Service Kit No. 49175-024** plus **new slipper pads** (refer to Hendrickson Parts List, Literature No. SP-149) should be installed in these applications if the HAS 46K main support member exhibits ⅜" or more wear at the frame hanger on the cam surface contact area, see Figure 1, Point **B**.

The HAS 46K Plus service kit includes the necessary components with the exception of the slipper pads to upgrade the HAS 46K to the HAS 46K Plus for one axle. To upgrade the tandem (two axles), it will require two HAS 40K Plus service kits.

### INSTALLATION

Follow the HAS main support member component replacement procedure in Hendrickson Technical Procedure: Lit. No. 17730-212 available online at [hendrickson-intl.com](http://hendrickson-intl.com).

### IMPORTANT NOTE

Hendrickson recommends that the main support members and all other components be replaced in pairs per axle when upgrading to the HAS 46K Plus.

For more information contact your local Hendrickson parts supplier, truck dealer, or Hendrickson per below:

HAS 46K Plus Service Kit No. 49175-024 (Axle Set)		
PART NO.	DESCRIPTION	QTY.
59597-000	Main Support Member with Delrin Liner	2
59598-000	Rebound Roller	2
57988-000	Rebound Spacer	2
24531-015	½"-13 UNC x 5½" Rebound Bolt	2
22962-014	½" Flat Hardened Washer	4
49846-000	½"-13 UNC Locknut	2



**PARTS IDENTIFICATION**  
[truckparts@hendrickson-intl.com](mailto:truckparts@hendrickson-intl.com)



**TECHNICAL SUPPORT**  
[techservices@hendrickson-intl.com](mailto:techservices@hendrickson-intl.com)



**Additional Hendrickson  
Product Information**  
[www.hendrickson-intl.com](http://www.hendrickson-intl.com)

Actual product performance may vary depending upon vehicle configuration, operation, service and other factors.  
All applications must comply with applicable Hendrickson specifications and must be approved by the respective vehicle manufacturer with the vehicle in its original, as-built configuration.  
Contact Hendrickson for additional details regarding specifications, applications, capacities, and operation, service and maintenance instructions.

*Call Hendrickson at **1.866.755.5968** (toll-free) or **1.630.910.2800** for additional information.*



[www.hendrickson-intl.com](http://www.hendrickson-intl.com)

**TRUCK COMMERCIAL VEHICLE SYSTEMS**  
800 South Frontage Road  
Woodridge, IL 60517-4904 USA  
1.866.755.5968 (Toll-free U.S. and Canada)  
1.630.910.2800 (Outside U.S. and Canada)  
Fax 1.630.910.2899

SEU-0103 Rev B 12-23

© 2001-2023 Hendrickson USA, L.L.C. All Rights Reserved. All trademarks shown are owned by Hendrickson USA, L.L.C., or one of the affiliates, in one or more countries.  
Information contained in this literature was accurate at the time of publication. Product changes may have been made after the copyright date that are not reflected.

Printed in United States of America