

# **H** PARTS LIST

## STEERTEK™ NXT High Capacity Steer Axle System for Sutphen Fire/Rescue Vehicles

LIT NO: SP-306

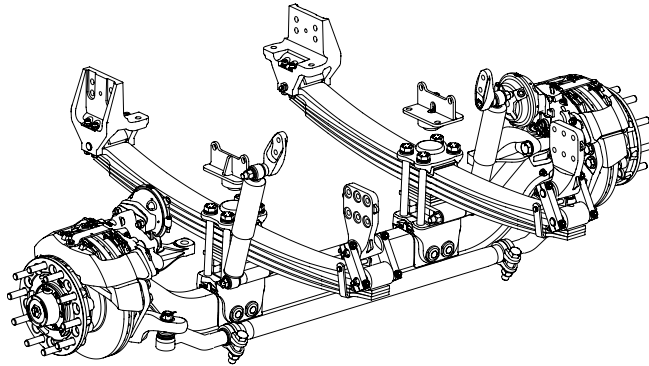
DATE: November 2024

REVISION: F

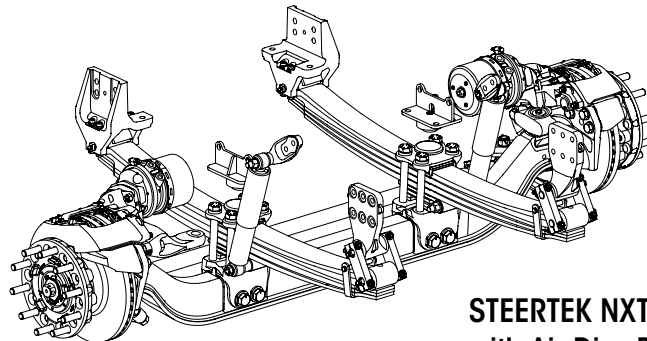
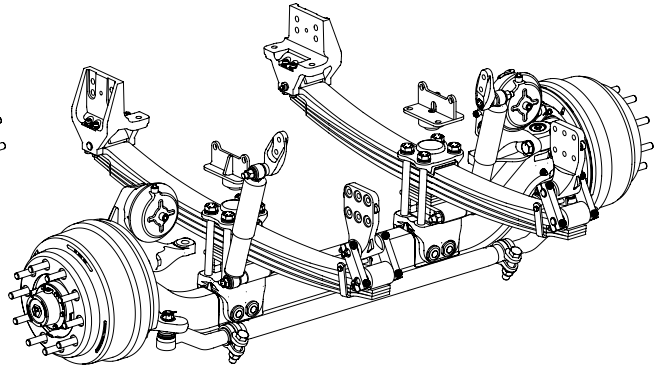
### CONTENTS

DESCRIPTION	PAGE	DESCRIPTION	PAGE
Parts Lists		Parts Lists	
<ul style="list-style-type: none"> <li>■ Suspension • Axle • Clamp Group Assembly . . . 2</li> <li>■ Air Disc Brake Assembly . . . . . 4</li> <li>■ Drum Brake Assembly . . . . . 5</li> </ul>		<ul style="list-style-type: none"> <li>■ Air Disc Brake Assembly for Tractor Drawn Aerial (TDA) . . . . . 7</li> <li>■ Suspension • Axle • Clamp Group Assembly for Tractor Drawn Aerial (TDA) . . . . . 8</li> </ul>	
Selection Guides . . . . . 6			

**STEERTEK NXT High Capacity  
with Air Disc Brakes**



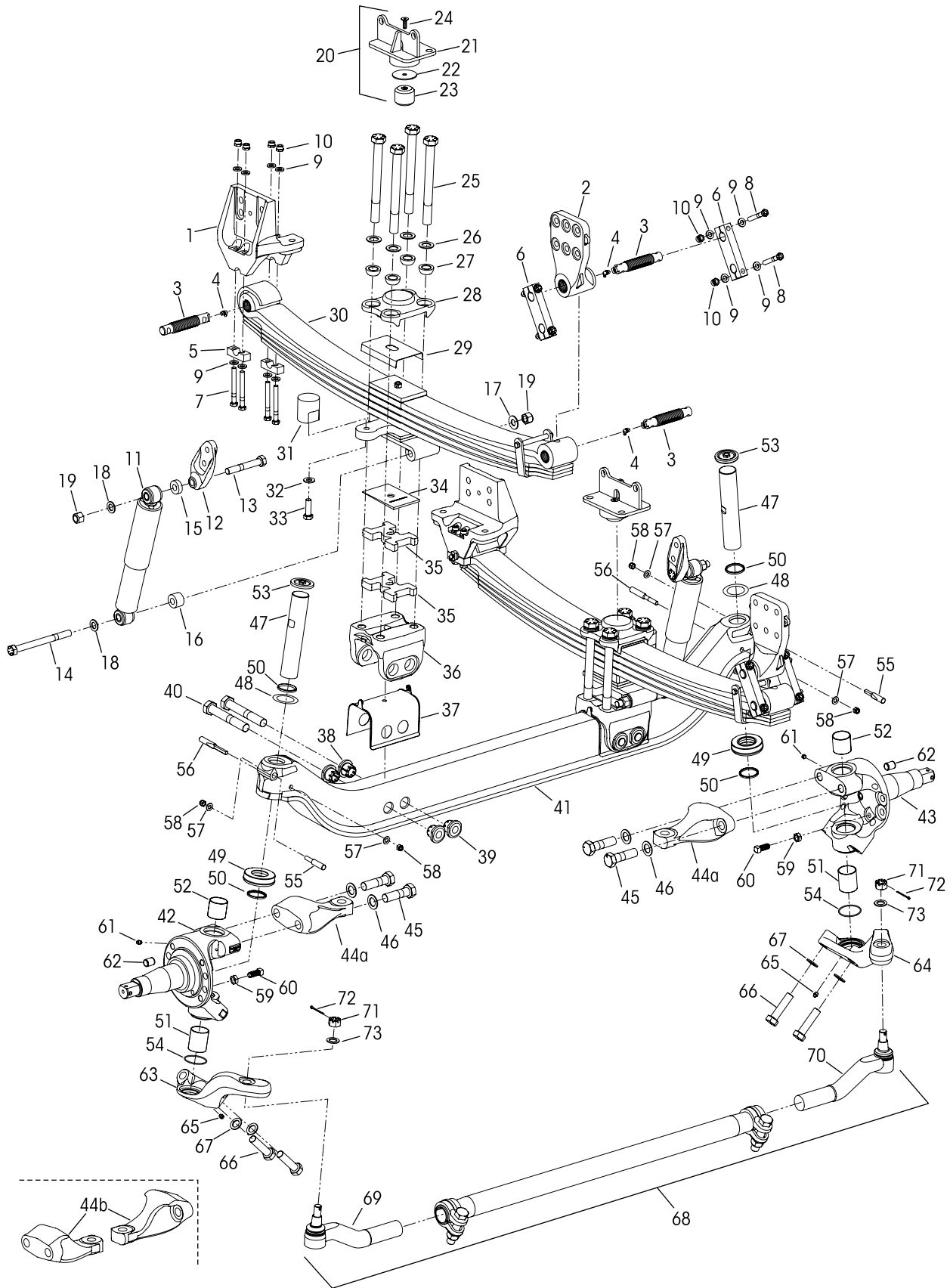
**STEERTEK NXT High Capacity  
with Drum Brakes**



**STEERTEK NXT High Capacity  
with Air Disc Brakes  
for Tractor Drawn Aerial (TDA)**



Suspension • Clamp Group • Axle Assembly





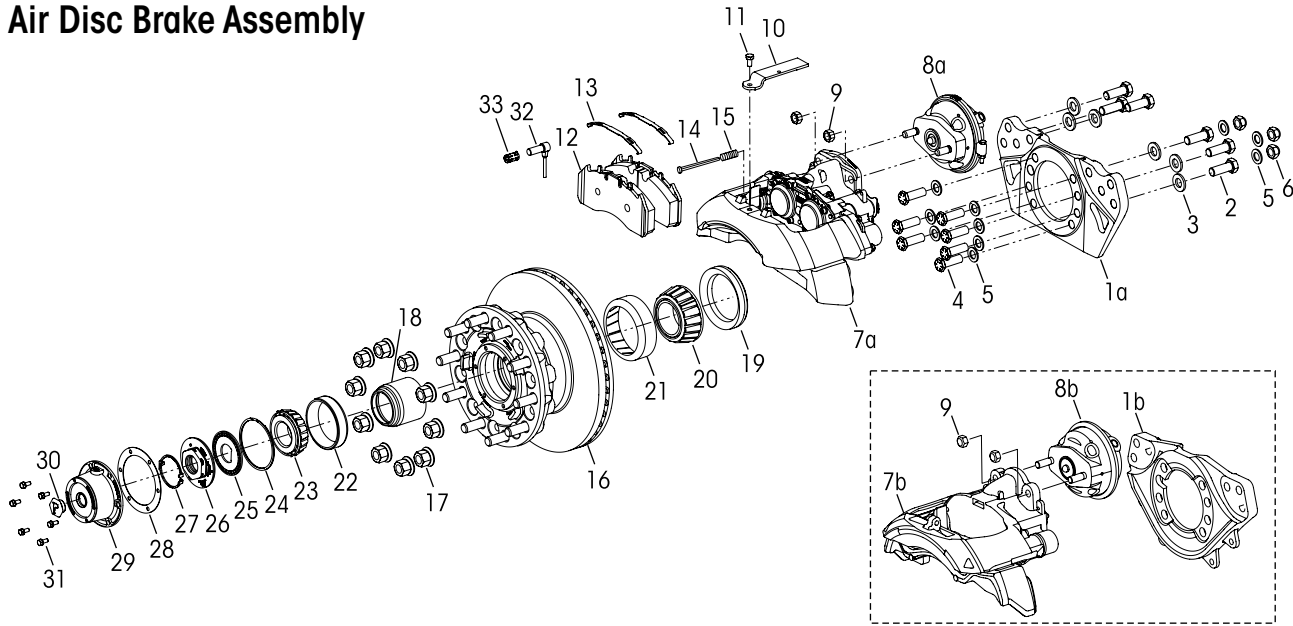
# STEERTEK™ NXT High Capacity Steer Axle System for Sutphen Vehicles

KEY NO.	PART NO.	DESCRIPTION	VEHICLE QTY.	KEY NO.	PART NO.	DESCRIPTION	VEHICLE QTY.
1	79894-003	Frame Hanger Assembly Front	2	38		*Axle Collar Non Threaded	4
2	80159-001	Rear with Bushing	2	39		Threaded	4
	34013-247	<b>Frame Hanger Fastener Service Kit, One Side</b>		40		*1"-8 UNC x 6½" Hex Thru Bolt	4
	34013-248	Front, Includes Key Nos. 5, 7, 9-10		41	91365-XXX	STEERTEK NXT Axle Fire and Rescue, Includes Key Nos. 42-73, <i>See Table 2 on Page 6</i>	1
	34013-249	Rear, Includes Key Nos. 3-4, 6, 8-10			77243-XXX	Knuckle Assembly, Includes Key Nos. 50, 59-62, <i>See Table 2 on Page 6</i>	
		<b>Single Threaded Pin and Grease Zerk Service Kit, Includes Key Nos. 3-4</b>		42		Left Hand	1
3		*Threaded Pin	6	43		Right Hand	1
4		*Grease Zerk	6	44		Steering Arm, <i>See Table 2 on Page 6</i>	2
5	79843-000	Front Hanger Bottom Cap	4	a	77337-XXX	10", 11.2125", 11.2" Ride Height	
6	79888-001	Rear Shackles	4	b	79685-XXX	8", 8.2", 8.2125", 9.2", 9.2125" Ride Height	
7	80362-001	½"-20 UNC x 4½" Hex Bolt	8	45	30550-027	1"-14 UNF x 3½" Hex Bolt	4
8	80362-002	½"-20 UNC x 3¼" Shackles Hex Bolt	8	46	22962-051	1" Flat Washer	4
9	22962-014	½" Flat Washer	32		34013-230	<b>Kingpin Service Kit, One Side</b> Includes Key Nos. 47, 48a, 49-58, 66-67	
10	17700-034	½"-20 UNC Nut	16	47		*Kingpin	2
11	80606-001L	Shock Absorber	2	48		Kingpin Shim (As needed for service)	2
12	78250-002	Shock Bracket	2	a	77241-002	0.01" Thickness	
13	50764-008	¾"-10 UNC x 5" Upper Shock Hex Bolt	2	b	77241-003	0.02" Thickness	
14	50764-014	¾"-10 UNC x 8½" Lower Shock Hex Bolt	2	49	75918-001	Thrust Bearing	2
		Shock Spacer		50	75966-001	Kingpin Seal	4
15	59946-006	Upper, 13.2 mm Thick	2			Kingpin Bushing	
16	59946-015	Lower Outboard, 28 mm Thick	2	51	75919-001	Lower, 2½" Length	2
17	59946-005	Lower Inboard, 3 mm Thick	2	52	75919-002	Upper, 2" Length	2
18	22962-001	¾" Flat Washer	4	53	77209-001	Grease Cap	2
19	49842-000	¾"-10 UNC Nut	4	54	68303-004	O-Ring	2
20	79854-000	Jounce Stop Assembly, Includes Key Nos. 21-24	2			Kingpin Draw Key	
21		*Jounce Stop	2	55	75925-001	Upper, 3¾" Length	2
22		*Spacer	2	56	75925-002	Lower, 4¾" Length	2
	34013-505	<b>Jounce Stop Service Kit, One Side,</b> Includes Key Nos. 23-24		57	22962-054	7/16" Flat Washer	4
23		*Rubber Bump Stop	2	58	17700-008	7/16"-14 UNC-2B Nut	4
24		*M10 x 1.5 x 30 mm Flat Socket Cap Screw	2	59	17491-023	5/8"-11 UNC-2B Jam Nut	2
	91367-XXX	Leaf Spring & Clamp Group Assembly, Includes Key Nos. 25-40, <i>See Table 1 on Page 6</i>	2	60	93334-001	5/8"-11 UNC x 1½" Set Screw, <i>Replaces 80183-000</i>	2
	34013-XXX	<b>Clamp Group Service Kit, One Side,</b> Includes Key Nos. 25-27, 29, <i>See Table 1 on Page 6</i>		61	33117-000	Grease Zerk	2
25	64107-XXX	1"-8 UNC Hex Bolt, <i>See Table 1 on Page 6</i>	8	62	64246-000	ABS Sensor Sleeve	2
26	22962-051	1" Flat Washer	8		77244-XXX	Tie Rod Arm Assembly, Includes Key No. 65 <i>See Table 2 on Page 6</i>	
27	78356-002	1" Spherical Washer	8	63		Left Hand	1
28	78888-000	Top Pad	2	64		Right Hand	1
29	79273-001	Spring Liner	2	65	33117-000	Grease Zerk	2
30		Leaf Spring Assembly, <i>See Table 1 on Page 6</i>	2	66	30418-014	7/8"-14 UNF x 3½" Hex Bolt	4
31	91432-000	Lockout Spacer 24K, 11.2125" Ride Height only <i>See Table 1 on Page 6</i>	2	67	22962-002	7/8" Flat Washer	4
32	22962-004	5/8" Flat Washer	2	68	79365-001	Tie Rod Assembly, 20K Drop, Includes Key Nos. 69-71	1
33	32043-006	5/8"-11 UNC-2A x 2" Hex Bolt, <i>Replaces 32043-010</i>	2			<b>Tie Rod End Service Kits,</b>	
34	80143-001	Caster Wedge - 2°	2		60961-884	Axle Set, Includes Kit Nos. 60961-882 and -883	
35		Leaf Spring Spacer (if equipped) <i>See Table 1 on Page 6</i>	4		60961-882	Left Hand, Includes Key Nos. 69, 71-73	
36	77232-000	Axle Seat	2		60961-883	Right Hand, Includes Key Nos. 70-73	
	34013-229	<b>Axle Clamp Collar Service Kit, One Side</b> Includes Key Nos. 37-40		69		*Tie Rod End, Includes Key No. 71	
37	78887-001	Axle Seat Liner	2			Left Hand	1
				70		Right Hand	1
				71		*7/8"-14 UNF-2A Castle Nut	2
				72		*Cotter Pin	2
				73		*7/8" Flat Washer	2

**NOTE:** \* Item included in kit/assembly only, part not sold separately.



**Air Disc Brake Assembly**

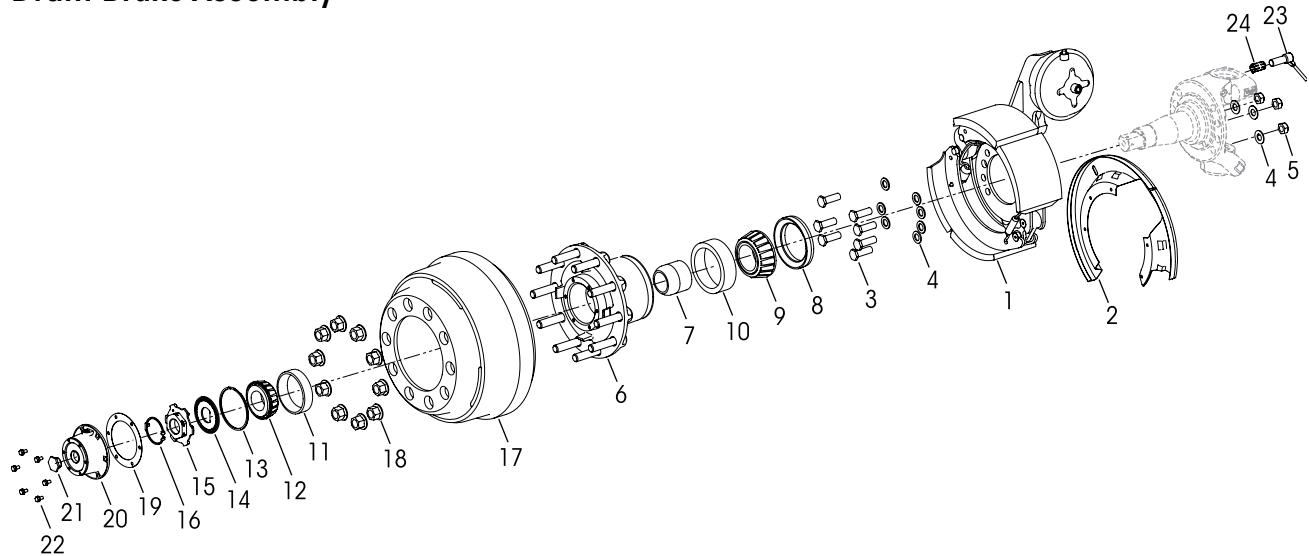


KEY NO.	PART NO.	DESCRIPTION	VEHICLE QTY.
1 a		*Meritor Torque Plate Assembly Left Hand, Part No. 3215-F-1878	1
		Right Hand, Part No. 3215-E-1877	1
b		*Bendix Torque Plate Assembly Left Hand, Part No. K138452	1
		Right Hand, Part No. K138451	1
2		M20 Hex Head Bolt	12
	69781-002	55 mm, Use with 1a	
	SA-13200-2	60 mm, Use with 1b	
3		M20 Flat Washer	12
	58246-018	Use with 1a, Replaces 58246-039	
	58246-007	Use with 1b	
4	80345-004	3/4"-16 UNC x 2 1/4" Low Profile Hex Head Bolt	14
5	22962-001	3/4" Flat Washer	20
6	80691-001	3/4"-16 UNC Hex Nut	6
7 a		*Meritor Caliper Assembly, Includes Key Nos. 10-11, 14-15 Left Hand, Part No. EX225H202XX000S	1
		Right Hand, Part No. EX225H201XX000S	1
b		*Bendix Caliper w/Carrier Assembly Left Hand, Part No. K098279	1
		Right Hand, Part No. K098278	1
		Brake Carrier Kit No. K051853	
		Guide Pin and Seal Kit No. 803114	
8 a		*WABCO Air Brake Chamber MGMT24L, Includes K80131-001 Key No. 9 Left Hand, Part No. 423 506 1340	1
		Right Hand, Part No. 423 506 1350	1
b		*Bendix Air Brake Chamber T24 Left Hand, Part No. K152688	1
		Right Hand, Part No. K152689	1
9		*Hex Nut	4
		*Meritor Disc Brake Pad Retainer Kit No. 225281, Includes Key Nos. 10-11	
		*Meritor Disc Brake Pad Kit No. 2252H2CG, Includes Key Nos 12-13	
		*Meritor Wear Indicator Kit No. 225224, Includes Key Nos. 14-15	
		*Bendix Disc Brake Pad Kit No. K129276, Includes Key Nos 10-14	

KEY NO.	PART NO.	DESCRIPTION	VEHICLE QTY.
10		*Pad Retainer	
11		*Pad Retainer Bolt	
12		*Air Disc Brake Pad	
13		*ADB Pad Spring	
14		*Wear Indicator	
15		*Wear Indicator Spring	
16		*Conmet Hub and Rotor Assembly, Includes Bearings and Seals Part No. 10083224 Part No. 10087600	2
		*Conmet Brake Rotor Replacement Kit No. 10082181, One Wheel End, Includes Rotor and 10 of each Cap Screws and Washers	
17		**M22 x 1.5 Two-piece Wheel Nut	20
		*Conmet Hub Bearing Rebuild Kit No. 10081728, One Wheel End, Includes Key Nos. 18-23	
		*Conmet Wheel Seal Kit No. 10081519, One Wheel End, Includes Key Nos. 18-19	
18		*Bearing Spacer Part No. 10034342	
19	10080435	*Wheel Seal Part No. 10045883	
20		*Inner Bearing Cone Part No. 10041922	
21		*Inner Bearing Cup Part No. 10041921	
22		*Outer Bearing Cup Part No. 10041923	
23		*Outer Bearing Cone Part No. 10041924	
		*Conmet Preset Plus FL Nut Assembly Kit No. 10036550, Includes Key Nos. 24-27	
24		*Snap Ring - Double Wind Part No. 10033288	
25		*Spindle Nut Lockwasher Part No. 10031171	
26		*Outer Spindle Nut Part No. 10031170	
27		*Snap Ring Retainer Part No. 10031172	
28		*Drivparts Hub Cap Gasket No. G-3009	2
29		*Drivparts Hub Cap Part No. 343-009, Includes Key No. 30	2
30		*Rubber Plug	
31	64545-002	5/16"-18 UNC x 3/4" Hex Bolt with Retained Washer	12
32		*WABCO ABS Sensor Part No. 441-032-900-0	2
33	64550-000	ABS Sensor Clip	2



### Drum Brake Assembly



KEY NO.	PART NO.	DESCRIPTION	VEHICLE QTY.	KEY NO.	PART NO.	DESCRIPTION	VEHICLE QTY.
1		*Meritor Drum Brake Foundation Kit, Includes Key No. 2		11		*Outer Bearing Cup Part No. 10041923	
		Left Hand, Part No. QP4-1656-2801	1	12		*Outer Bearing Cone Part No. 10041924	
		Right Hand, Part No. QP4-1656-2802	1			*Conmet Preset Plus FL Nut Assembly Kit No. 10036550, Includes Key Nos. 13-16	
2		*Dust Shield	2	13		*Snap Ring - Double Wind Part No. 10033288	
3	80345-004	3/4"-16 x 2 1/4" Low Profile Hex Head Bolt	14	14		*Spindle Nut Lockwasher Part No. 10031171	
4	22962-001	3/4" Flat Washer	20	15		*Outer Spindle Nut Part No. 10031170	
5	80691-001	3/4"-16 UNC - 2B Nut	6	16		*Snap Ring Retainer Part No. 10031172	
		*Conmet Preset Plus FL Hub Assembly Part No. 10081313, Includes Key Nos. 6-16	2	17		*Conmet Drum 16.5 x 6 Part No. 10033071	
6		*Hub Part No. 10033316		18		**M22 x 1.5 Two-piece Wheel Nut	20
		*Conmet Hub Bearing Rebuild Kit No. 10081728, One Wheel End, Includes Key Nos. 7-12		19		*Drivparts Hub Cap Gasket No. G-3009	2
		*Conmet Wheel Seal Kit No. 10081519, One Wheel End, Includes Key Nos. 7-8		20		*Drivparts Hub Cap Part No. 343-009, Includes Key No. 21	2
7		*Bearing Spacer Part No. 10034342		21		*Rubber Plug	
8		*Wheel Seal Part No. 10045883		22	64545-002	5/16"-18 UNC x 3/4" Hex Bolt with Retained Washer	12
9		*Inner Bearing Cone Part No. 10041922		23		*WABCO ABS Sensor Part No. 441-032-900-0	2
10		*Inner Bearing Cup Part No. 10041921		24	64550-000	ABS Sensor Clip	2

**NOTES:** \* Part not supplied by Hendrickson for aftermarket service purposes. Description and part number listed for reference only. For more information and assistance with service, maintenance, and rebuild instructions on these components see following component manufacturers:

- BENDIX 1-800-AIR-BRAKE or online for parts: [www.bendix.com/en/services-and-support/b2bendix-quick-links](http://www.bendix.com/en/services-and-support/b2bendix-quick-links) and for technical support training: [www.bendix.com/en/services-and-support/brake-school](http://www.bendix.com/en/services-and-support/brake-school)
- CONMET technical and parts support 800.547.9473 or online [aftermarket.conmetwheelends.com/hub-selection](http://aftermarket.conmetwheelends.com/hub-selection)
- DRIVPARTS technical and parts support 800.334.3210 or online [www.drivparts.com](http://www.drivparts.com)
- MERITOR technical and parts support 888.725.9355, or online for parts: [www.meritorpartsexpress.com](http://www.meritorpartsexpress.com) and for technical support: [www.meritorbullpen.com](http://www.meritorbullpen.com)
- WABCO technical and parts support 855.228.3203 or online [www.wabco-customercentre.com](http://www.wabco-customercentre.com)

\*\* Not supplied by Hendrickson, used for reference only. Contact the vehicle manufacturer for more information.



■ Selection Guides

Table 1 Leaf Spring Assembly and Components

Capacity	Ride Height (inches)	Leaf Spring and Clamp Group Assembly	Clamp Group Service Kit	Leaf Spring Assembly Key No. 30	1" Hex Bolt Key No. 25		1" Leaf Spring Spacer Key No. 35		Right & Left Hand Lockout Spacer Key No. 31	
					Length	Part No.	Qty	Part No.		
19K	10.1125	91367-001	34013-314	82378-110	9.5	64107-007	--	--	--	
	8	91367-002	34103-254	82378-101	7.5	64107-000	--	--		
	10	91367-003	34013-314		9.5	64107-007	2	79814-000		
20K	10.1125	91367-101	34013-314	82379-110	9.5	64107-007	--	--	--	
	8.2	91367-102	34103-254	82379-101	7.5	64107-000	--	--		
	10.2	91367-103	34013-314		9.5	64107-007	2	79814-000		
	9.2	91367-601 (LH)	34013-255	82379-102	8.5	64107-006	--	--	93448-000	
		91367-602 (RH)		82379-103						
	11.2	91367-603 (LH)	34013-315	82379-102	10.5	64107-009	2	79814-000		
91367-604 (RH)		82379-103								
24K	9.2125	91367-201	34013-255	82380-110	8.5	64107-006	--	--		--
	11.2125	91367-202	34013-315		82380-111	10.5	64107-009	2		
		91367-301 (LH)		82380-112						
	9.2125	91367-303 (LH)	34013-255	82380-111	8.5	64107-006	--	--	91432-000	
		91367-304 (RH)		82380-112						
	8.2125	91367-501	34103-254	82380-100	7.5	64107-000	1	79814-000	--	
		91367-502	34013-255							
	9.2125	91367-401 (LH)		34013-255	82380-103	8.5	64107-006	--	--	93448-000
		91367-402 (RH)	82380-104							
	11.2125	91367-403 (LH)	34013-315	82380-103	10.5	64107-009	2	79814-000		
		91367-404 (RH)		82380-104						

Table 2 Axle, Knuckle, Tie Rod Arm Assembly and Steering Arm

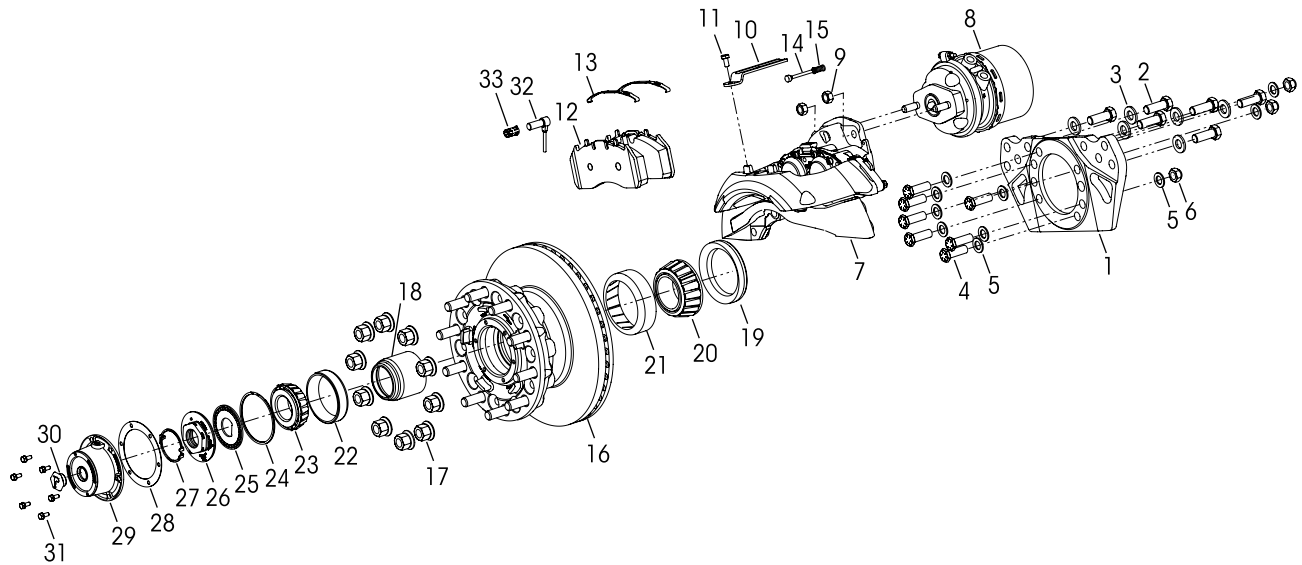
Wheelbase	Capacity	STEERTEK NXT Axle Assembly Key No. 41	Knuckle Assembly		Tie Rod Arm Assembly		Steering Arm	
			Left Hand Key No. 42	Right Hand Key No. 43	Left Hand Key No. 63	Right Hand Key No. 64	Left Hand Key No. 44	Right Hand Key No. 44
170-195	19K	91365-001	77243-001	77243-102	77244-059	77244-060	*77337-009	N/A
	20K	91365-006		77243-002				*77337-009
196-220	19k	91365-002		77243-102	77244-031	77244-032		N/A
221-250	24K	91365-003		77243-002	77244-063	77244-064		*77337-009
251-280		91365-004			77244-065	77244-066		
		91365-005			77244-039	77244-040		
170-195	19K	91365-011	77243-001	77243-102	77244-059	77244-060	79685-004	N/A
	20K	91365-016		77243-002				79685-004
196-220	19k	91365-012		77243-102	77244-031	77244-032		N/A
221-250	24K	91365-013		77243-002	77244-063	77244-064		79685-004
251-280		91365-014			77244-065	7724-066		
		91365-015			77244-039	77244-040		
		91365-017						

\* Replaces 77337-003



Air Disc Brake Assembly

Sutphen Tractor Drawn Aerial (TDA) Trailer

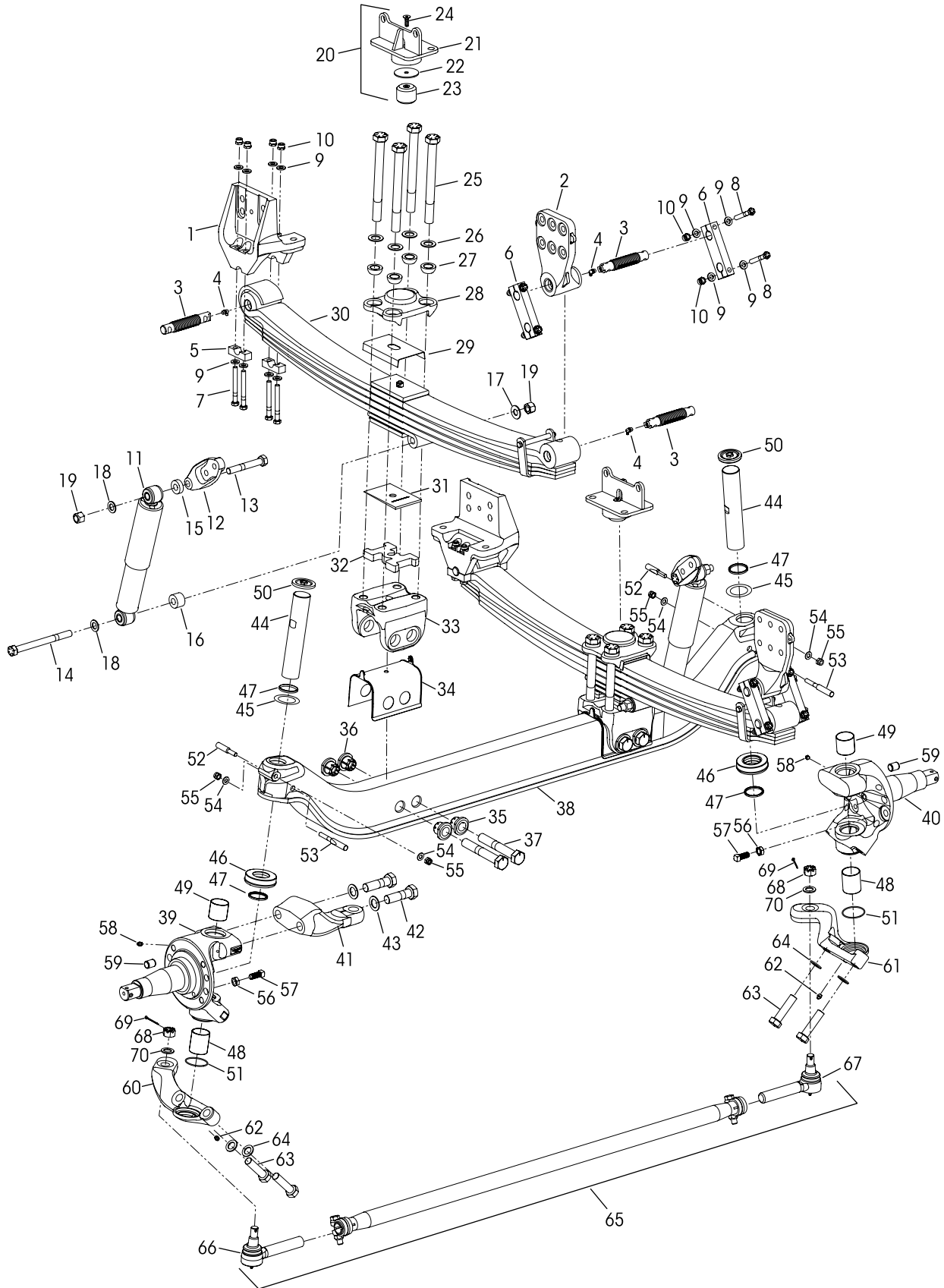


KEY NO.	PART NO.	DESCRIPTION	VEHICLE QTY.	KEY NO.	PART NO.	DESCRIPTION	VEHICLE QTY.
1		*Meritor Torque Plate Assembly Left Hand, Part No. 3215-C-2317 Right Hand, Part No. 3215-D-2318	1 1	16		*Conmet Hub and Rotor Assembly, Includes Bearings and Seals, Part No. 10083224 *Conmet Brake Rotor Replacement Kit No. 10082181, One Wheel End, Includes Rotor and 10 of each Cap Screws and Washers	2
2	69781-002	M20 Hex Head Bolt, 55 mm	12	17		**M22 x 1.5 Two-piece Wheel Nut *Conmet Hub Bearing Rebuild Kit No. 10081728, One Wheel End, Includes Key Nos. 18-23 *Conmet Wheel Seal Kit No. 10081519, One Wheel End, Includes Key Nos. 18-19	20
3	58246-018	M20 Flat Washer, Replaces 58246-039	12	18		*Bearing Spacer Part No. 10034342	
4	80345-004	3/4"-16 UNC x 2 1/4" Low Profile Hex Head Bolt	14	19		*Wheel Seal Part No. 10045883	
5	22962-001	3/4" Flat Washer	20	20		*Inner Bearing Cone Part No. 10041922	
6	80691-001	3/4"-16 UNC Hex Nut	6	21		*Inner Bearing Cup Part No. 10041921	
7		*Meritor Caliper Assembly, Includes Key Nos. 10-11, 14-15 Left Hand, Part No. EX225H201XX000S Right Hand, Part No. EX225H202XX000S	1 1	22		*Outer Bearing Cup Part No. 10041923	
8		*WABCO Air Brake Chamber 24/24, Includes K80131-001 Key No. 9 Left Hand, Part No. 9254813780 Right Hand, Part No. 9254813770	1 1	23		*Outer Bearing Cone Part No. 10041924 *Conmet Preset Plus FL Nut Assembly Kit No. 10036550, Includes Key Nos. 24-27	
9		*Hex Nut *Meritor Disc Brake Pad Retainer Kit No. 225281, Includes Key Nos. 10-11 *Meritor Disc Brake Pad Kit No. 2252H2CG, Includes Key Nos 12-13 *Meritor Wear Indicator Kit No. 225224, Includes Key Nos. 14-15	4	24		*Snap Ring - Double Wind Part No. 10033288	
10		*Pad Retainer		25		*Spindle Nut Lockwasher Part No. 10031171	
11		*Pad Retainer Bolt		26		*Outer Spindle Nut Part No. 10031170	
12		*Air Disc Brake Pad		27		*Snap Ring Retainer Part No. 10031172	
13		*ADB Pad Spring		28		*Drivparts Hub Cap Gasket No. G-3009	2
14		*Wear Indicator		29		*Drivparts Hub Cap Part No. 343-009, Includes Key No. 30	2
15		*Wear Indicator Spring		30		*Rubber Plug	
				31	64545-002	5/16"-18 UNC x 3/4" Hex Bolt with Retained Washer	12
				32		*WABCO ABS Sensor Part No. 441-032-900-0	2
				33	64550-000	ABS Sensor Clip	2



Suspension • Clamp Group • Axle Assembly

Sutphen Tractor Drawn Aerial (TDA) Trailer







# STEERTEK™ NXT High Capacity Steer Axle System for Sutphen TDA Trailer

KEY NO.	PART NO.	DESCRIPTION	VEHICLE QTY.	KEY NO.	PART NO.	DESCRIPTION	VEHICLE QTY.
1	79894-003	Frame Hanger Assembly Front	2	37		*1"-8 UNC x 6½" Hex Thru Bolt	4
2	80159-001	Rear with Bushing	2		93872-001	STEERTEK NXT High Capacity Axle Assembly Fire & Rescue TDA (Tractor Drawn Aerial), Includes Key Nos. 38-44, 46-47, 50-69	
		<b>Frame Hanger Fastener Service Kit, One Side</b>		38	77284-089	Axle	1
	34013-247	Front, Includes Key Nos. 5, 7, 9-10				Knuckle Assembly, Includes Key Nos. 47, 56-59	
	34013-248	Rear, Includes Key Nos. 3-4, 6, 8-10		39	77243-002	Left Hand	1
	34013-249	<b>Single Threaded Pin and Grease Zerk Service Kit, Includes Key Nos. 3-4</b>		40	77243-101	Right Hand	1
3		*Threaded Pin	6	41	79685-006	Steering Arm	1
4		*Grease Zerk	6	42	30550-027	1"-14 UNF x 3½" Hex Bolt	2
5	79843-000	Front Hanger Bottom Cap	4	43	22962-051	1" Flat Washer	2
6	79888-001	Rear Shackles	4			<b>Kingpin Service Kit, One Side</b> Includes Key Nos. 44, 45a, 46-55, 63-64	
7	80362-001	½"-20 UNC x 4½" Hex Bolt	8	44		*Kingpin	2
8	80362-002	½"-20 UNC x 3¼" Shackle Hex Bolt	8	45		Kingpin Shim (As needed for service)	2
9	22962-014	½" Flat Washer	32	a	77241-002	0.01" Thickness	
10	17700-034	½"-20 UNF-2B Locknut	16	b	77241-003	0.02"	
11	80606-001	Shock Absorber	2	46	75918-001	Thrust Bearing	2
12	78250-002	Shock Bracket	2	47	75966-001	Kingpin Seal	4
13	50764-008	¾"-10 UNC x 5" Upper Shock Hex Bolt	2			Kingpin Bushing	
14	50764-014	¾"-10 UNC x 8½" Lower Shock Hex Bolt	2	48	75919-001	Lower, 2½" Length	2
		Shock Spacer		49	75919-002	Upper, 2" Length	2
15	59946-006	Upper, 13.2 mm Thick	2	50	77209-001	Grease Cap	2
16	59946-015	Lower Outboard, 28 mm Thick	2	51	68303-004	O-Ring	2
17	59946-005	Lower Inboard, 3 mm Thick	2			Kingpin Draw Key	
18	22962-001	¾" Flat Washer	4	52	75925-001	Upper, 3¾" Length	2
19	49842-000	¾"-10 UNC Locknut	4	53	75925-002	Lower, 4¾" Length	2
20	79854-000	Jounce Stop Assembly, Includes Key Nos. 21-24	2	54	22962-054	7/16" Flat Washer	4
21	80168-000	Jounce Stop	2	55	17700-008	7/16"-14 UNC-2B Nut	4
22	80175-000	Spacer	2	56	17491-023	5/8"-11 UNC-2B Jam Nut	2
	34013-505	<b>Jounce Stop Service Kit, One Side,</b> Includes Key Nos. 23-24		57	80183-000	5/8"-11 UNC x 1½" Set Screw	2
23	80176-000	Rubber Bump Stop	2	58	33117-000	Grease Zerk	2
24	80177-000	M10 x 1.5 x 30 mm Flat Socket Cap Screw	2	59	64246-000	ABS Sensor Sleeve	2
	93871-001	Leaf Spring & Clamp Group Assembly, Includes Key Nos. 25-37	2			Tie Rod Arm Assembly, Includes Key No. 62	
	34013-255	<b>Clamp Group Service Kit, One Side,</b> Includes Key Nos. 25-27, 29		60	77244-028	Left Hand	1
25	64107-006	1"-8 UNC Hex Bolt	8	61	77244-027	Right Hand	1
26	22962-051	1" Flat Washer	8	62	33117-000	Grease Zerk	2
27	78356-002	1" Spherical Washer	8	63	30418-014	7/8"-14 UNF x 3½" Hex Bolt	4
28	78888-000	Top Pad	2	64	22962-002	7/8" Flat Washer	4
29	79273-001	Spring Liner	2	65	80721-003	Tie Rod Assembly, Includes Key Nos. 66-68	1
30	82380-151	Leaf Spring Assembly	2			<b>Tie Rod End Service Kits, Straight</b>	
31	80143-001	Caster Wedge - 2°	2		60961-890	Axle Set, Includes Kit Nos. 60961-888 and -889	
32	79814-000	Spring Spacer	2		60961-889	Left Hand, Includes Key Nos. 66, 68-70	
33	77232-000	Axle Seat	2		60961-888	Right Hand, Includes Key Nos. 67-70	
	34013-229	<b>Axle Clamp Collar Service Kit, One Side</b> Includes Key Nos. 34-37				*Tie Rod End, Includes Key No. 68	
34	78887-001	Axle Seat Liner	2	66		Left Hand	1
		*Axle Collar		67		Right Hand	1
35		Non Threaded	4	68		*7/8"-14 UNF-2A Castle Nut	2
36		Threaded	4	69		*Cotter Pin	2
				70		*7/8" Flat Washer	2

NOTES: \* Item included in kit/assembly only, part not sold separately.

This is a general parts list to provide directional information. Components may vary by model. Questions in regards to parts, contact Hendrickson Truck Parts at 1.866.755.5968 (Toll-free U.S. and Canada), 630.910.2800 (Outside U.S. and Canada) or email: [truckparts@hendrickson-intl.com](mailto:truckparts@hendrickson-intl.com).  
Actual product performance may vary depending upon vehicle configuration, operation, service and other factors.  
All applications must comply with applicable Hendrickson specifications and must be approved by the respective vehicle manufacturer with the vehicle in its original, as-built configuration.  
Contact Hendrickson for additional details regarding specifications, applications, capacities, and operation, service and maintenance instructions.

**Call Hendrickson at 1.866.755.5968 (toll-free) or 1.630.910.2800 for additional information.**



[www.hendrickson-intl.com](http://www.hendrickson-intl.com)

**TRUCK COMMERCIAL VEHICLE SYSTEMS**  
800 South Frontage Road  
Woodridge, IL 60517-4904 USA  
1.866.755.5968 (Toll-free U.S. and Canada)  
1.630.910.2800 (Outside U.S. and Canada)  
Fax 1.630.910.2899

SP-306 Rev F 11-24

© 2019 – 2024 Hendrickson USA, L.L.C. All Rights Reserved. All trademarks shown are owned by Hendrickson USA, L.L.C., or one of the affiliates, in one or more countries.

Information contained in this literature was accurate at the time of publication. Product changes may have been made after the copyright date that are not reflected.

Printed in United States of America