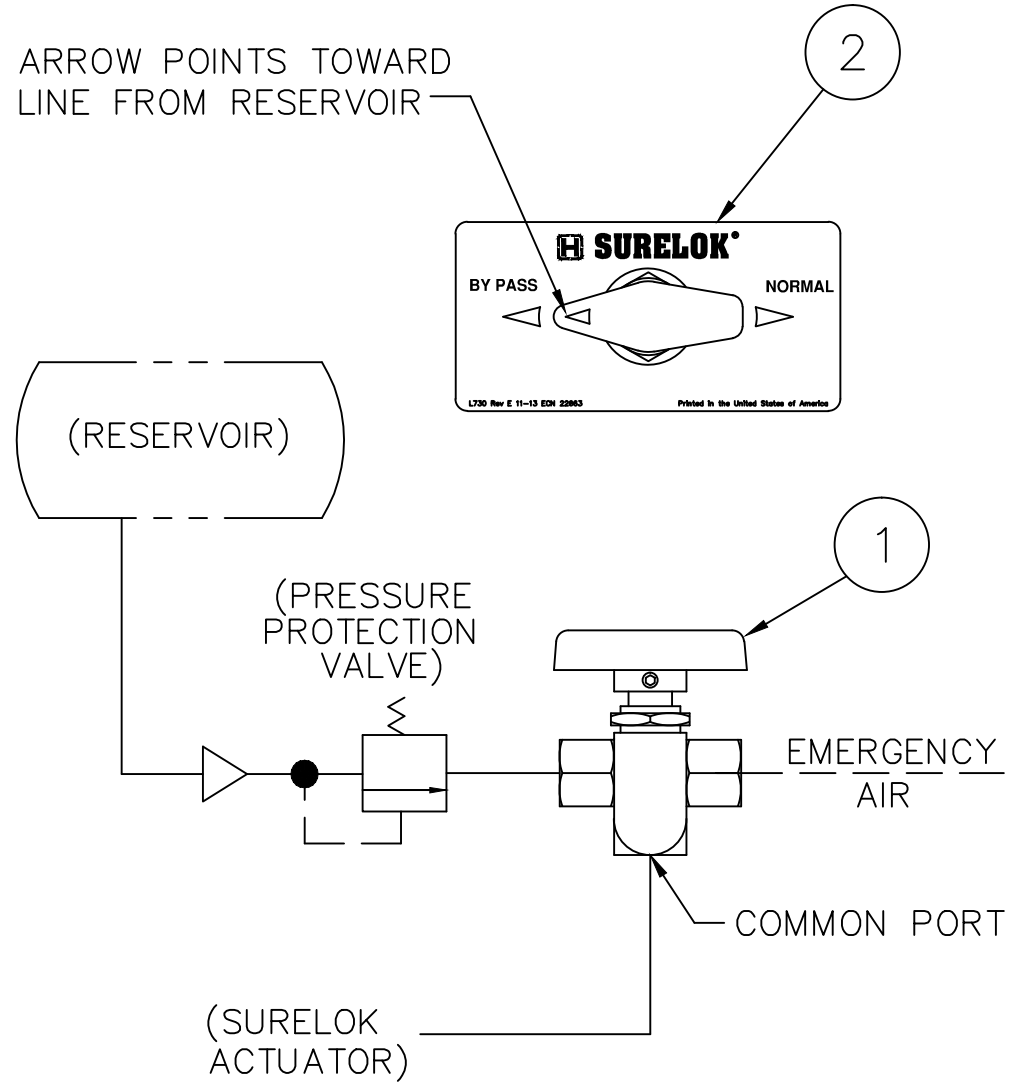
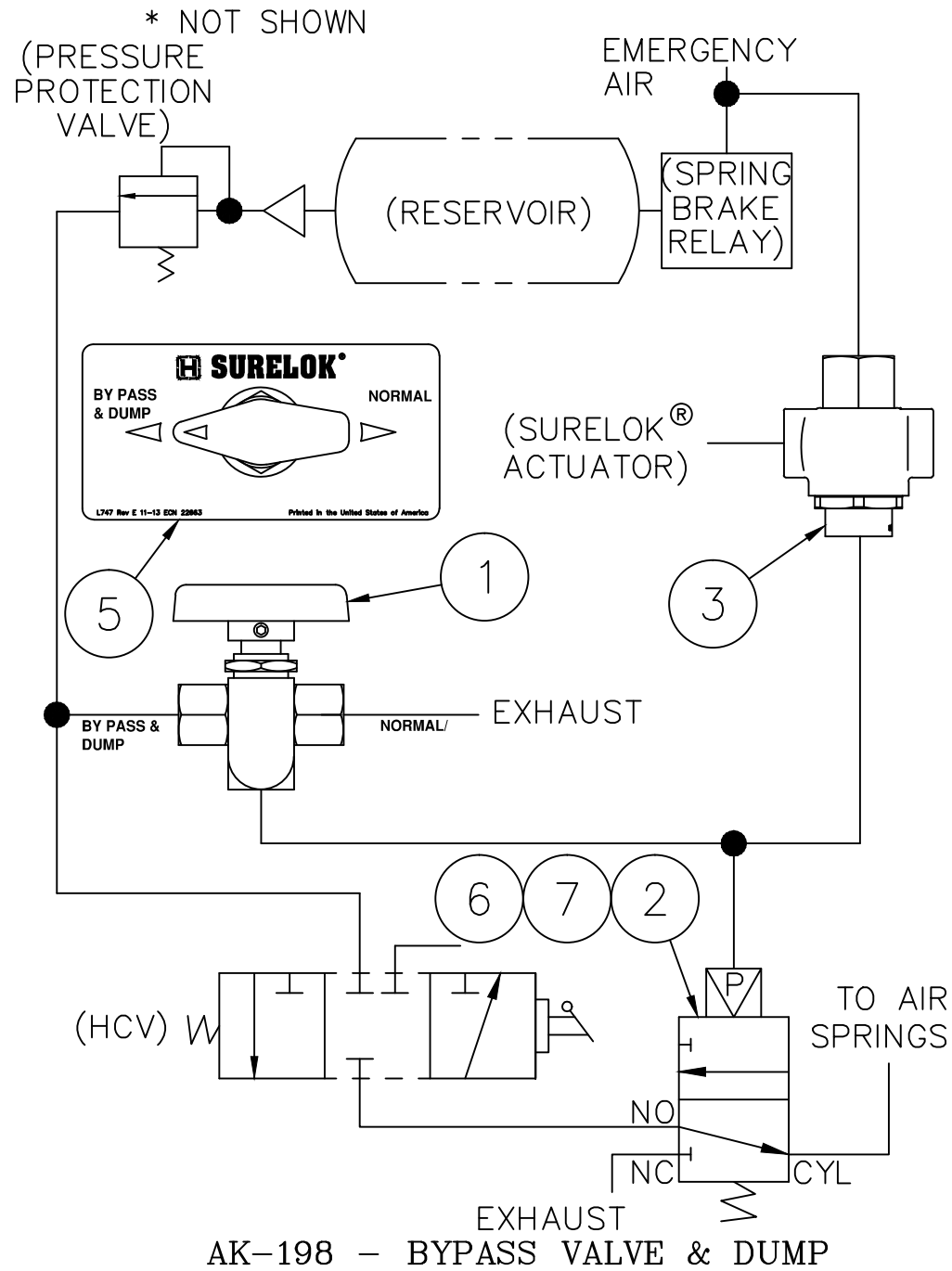


ITEM	PART NO.	DESCRIPTION	QTY.	ITEM	PART NO.	DESCRIPTION	QTY.	ITEM	PART NO.	DESCRIPTION	QTY.
1	A-22535	3-WAY BALL VALVE	1	1	A-22535	3-WAY BALL VALVE	1	1	DWG B-23656	SURELOK® PLUMBING SCH.	1
2	L730	SURELOK® BY PASS DECAL	1	2	13 B-38689	AIR PILOT VALVE, 3-WAY	1	<div style="border: 1px solid black; padding: 5px;"> <p>This Print remains the property of Hendrickson. All information contained thereon is confidential. It is loaned, subject to return on demand and on express condition that it is not to be copied or used directly or indirectly for any purpose other than the purpose for which it has been loaned to you.</p> </div> <div style="border: 1px solid black; padding: 5px; text-align: center;"> <p>P PRODUCTION</p> </div>			
3	DWG B-23656	SURELOK® PLUMBING SCH.	1	3	A-24988	2-WAY CHECK VALVE	1				
WEIGHT (LB)			.31	4	DWG B-23656	SURELOK® PLUMBING SCH.	1				
				5	L747	SURELOK® LABEL	1				
				6*	A-27360	BARBED TUBE FITTING	1				
				7*	A-27361	3/8" ID TUBE	1				
				WEIGHT (LB) 13			1.87				

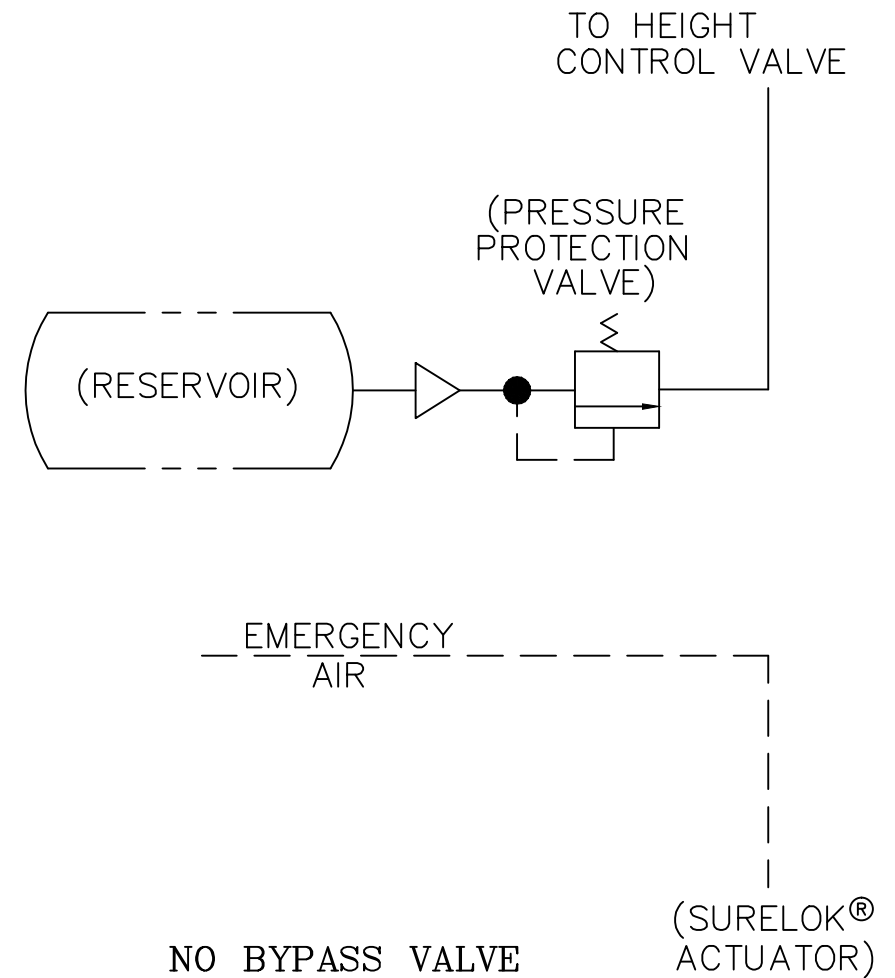
ARROW POINTS TOWARD LINE FROM RESERVOIR



AK-185 - BYPASS VALVE



AK-198 - BYPASS VALVE & DUMP



NO BYPASS VALVE

PART NUMBER	REV
AK-185	12
AK-198	13



TRAILER COMMERCIAL VEHICLE SYSTEMS
2070 INDUSTRIAL PLACE S.E., CANTON, OH 44707-2600 U.S.A.

UNLESS OTHERWISE NOTED:
TOLERANCES ARE
.X: ± .1
.XX: ± .06
.XXX: ± .030
ANGULAR: ± 0.5°
DIMENSIONS ARE:
INCHES
3RD ANGLE PROJECTION
DIMENSIONS ADHERE TO ANSI Y14.5M-1982

REV.	ECN NO.	BY	DATE
13	31537	NJK	6-12-18
12	25309	JLW	04-22-16
11	14682	LMK	3-23-06
10	14193	CLA	9-13-05

DRAWN BY
K. GALIGHER
CHK'D BY
3-19-98 J. SUKOSD
APP'D BY:
T. HESS

DATE
2-13-98
THIS DRAWING IS
THE CONFIDENTIAL
PROPERTY OF
HENDRICKSON

SURELOK® PLUMBING SCH.

SCALE
1.00=1.00
(SIZE)
PAGE
1 OF 1
DRAWING No.

B-23656