

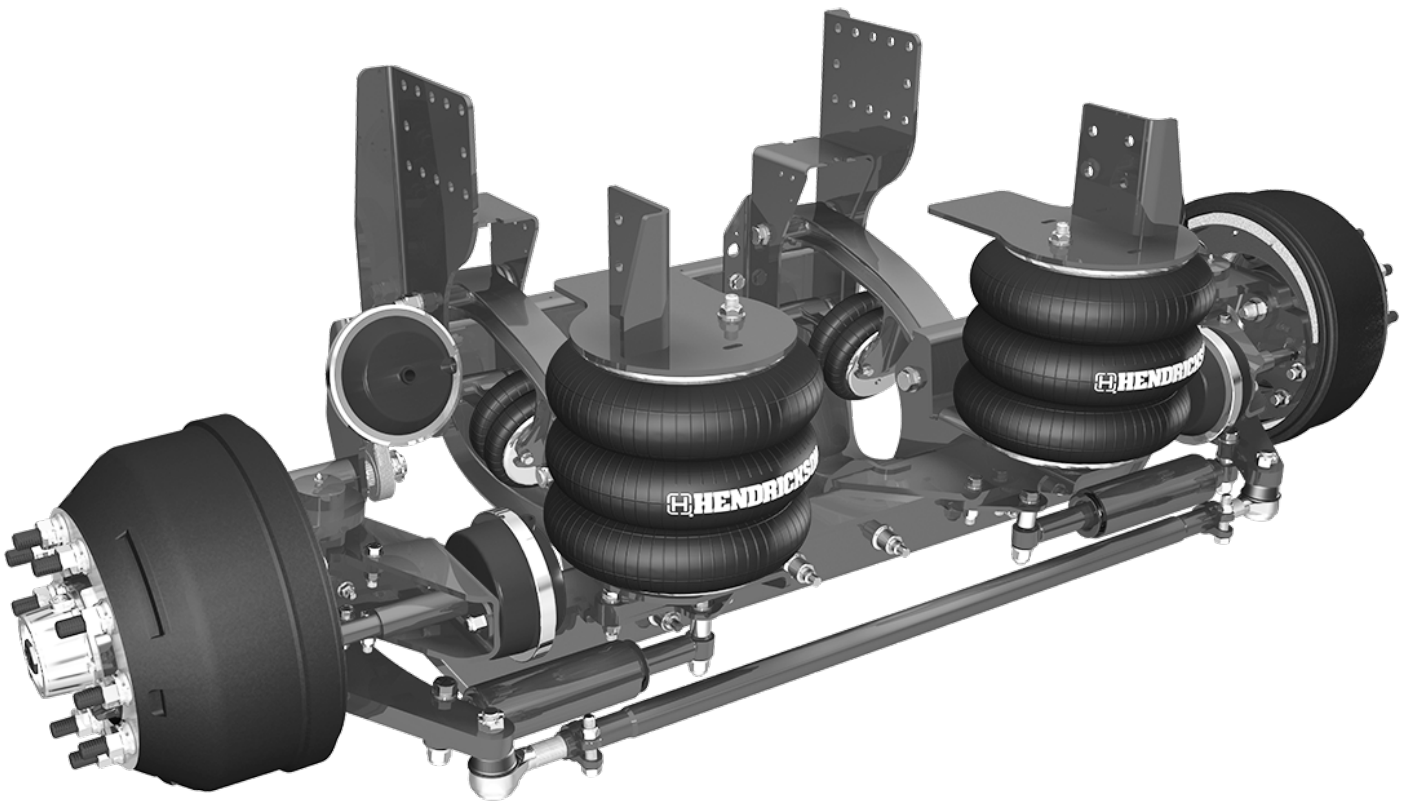
Asia Pacific Region Only

H **PARTS LIST**
COMPOSILITE™ EXS20 ISUZU
STEERABLE LIFT AXLE

LIT NO: 97114-126

DATE: February 2025

REVISION: F





INTRODUCTION

COMPOSILITE™ EXS is the innovative, next generation of steerable lift-axle suspension systems engineered by Hendrickson with a number of technological advancements.

Inset lower beams optimise lateral stiffness and eliminate the need for V-rods. Zero-torsion rubber bushes provide increased service life. The patented STEERTEK™ axle technology increases structural durability and incorporates bolt-on axle seats for easier serviceability and re-configuration.

NOTE: All quantities listed within this parts list are as applicable for a single axle.

TABLE OF CONTENTS

INTRODUCTION	2
ABBREVIATIONS	2
FRAME HANGER & PIVOT	3
KINGPIN & TIE ROD	4
DRUM BRAKE	6
WHEEL END	8
AIR SPRINGS & HARDWARE	9
AIR TANK ASSEMBLY	10
AIR CONTROLS	11
REVISIONS TABLE	12

ABBREVIATIONS

Abbreviations used in this document may include the following terms:

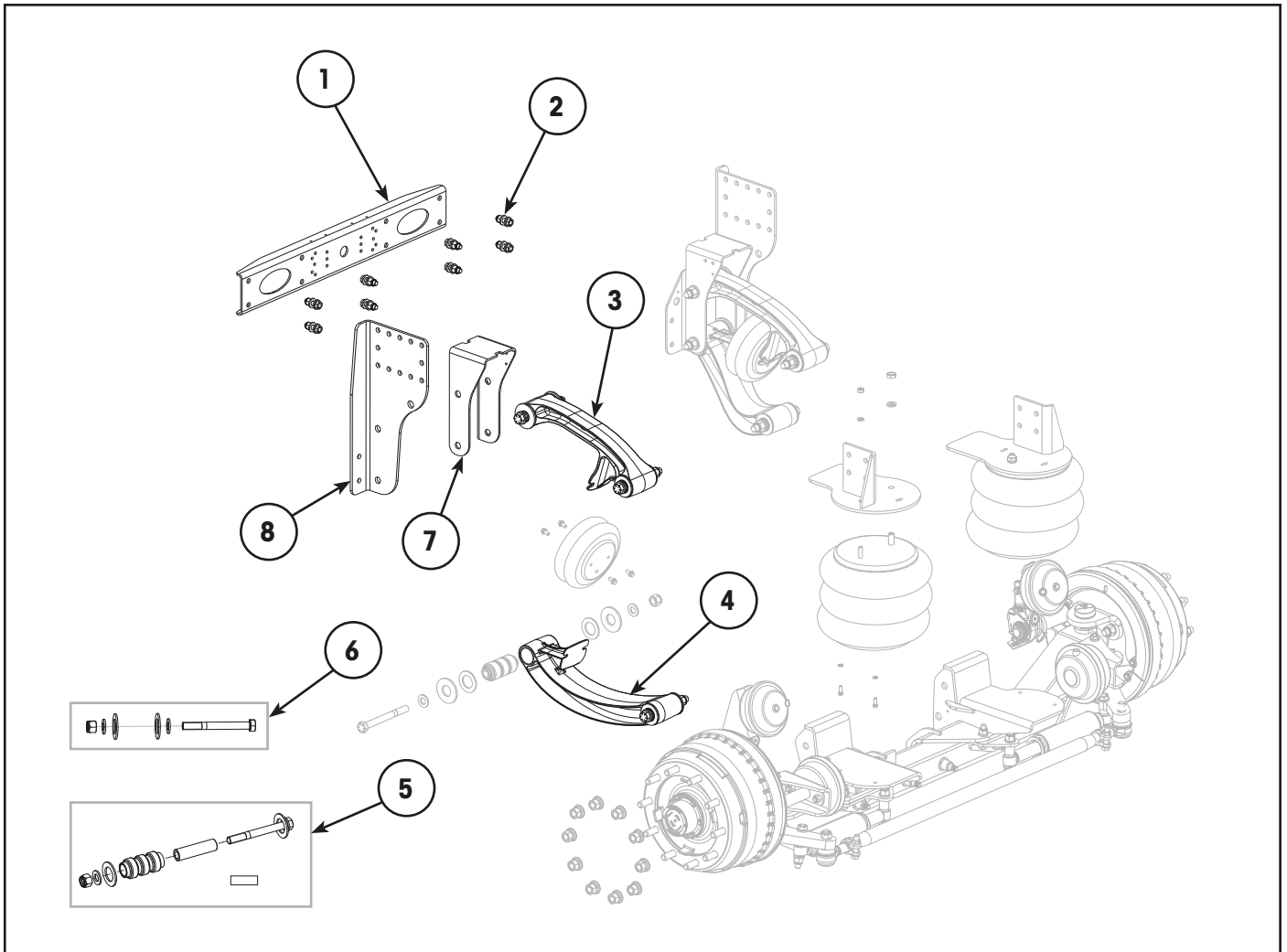
- AR – As Required
- NSS – Not Serviced Separately
- PCD – Pitch Circle Diameter

Document Interactivity

The interactive **Table of Contents** allows users to quickly navigate to the appropriate page with a single mouse click. The **INDEX** button at the bottom of each page returns you to the **Table of Contents**. Other links within the document are identified by black underlined text, whereas links to external websites are identified by blue underlined text.



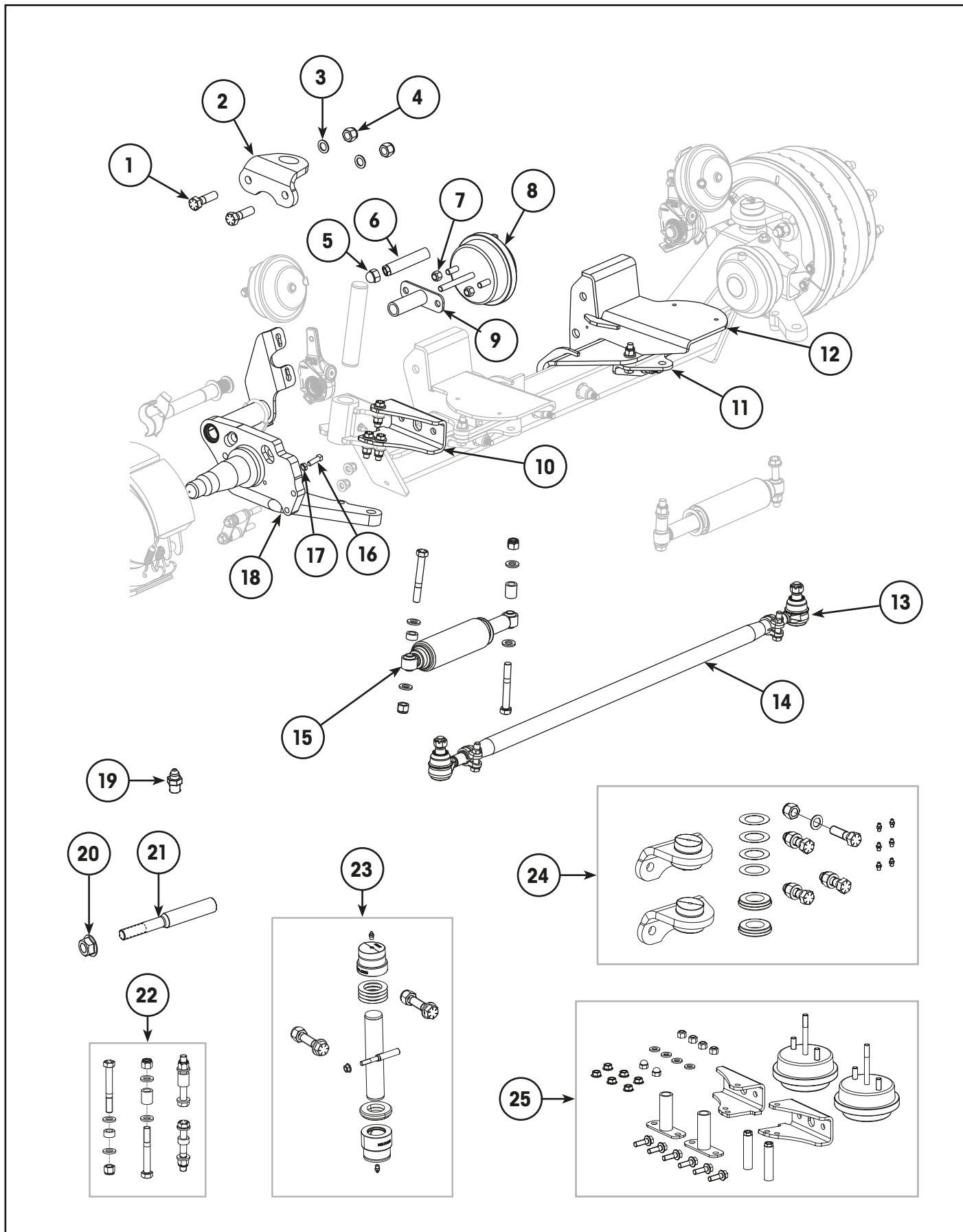
FRAME HANGER & PIVOT



Item	Part Number	Description	Qty	Notes
1	018619-0201	Crossmember, EXS20 34 Inch	1	
2	018440-0100	Crossmember hardware	1	
3	018219-01	Beam, Upper	2	
4	018049-01	Beam, Lower – Left Hand	1	
	018049-02	Beam, Lower – Right Hand	1	
5	020676-0100	Kit, Pivot Bush, Spacer & Hardware	1	Includes hardware & spacer washers (item 6) and 4 x lubricant pouches.
6	018442-0100	Kit, Pivot Hardware	1	Includes spacer washers. Included as part of pivot bush kit, item 5.
7	018142-0101	Saddle, EXS20 – Left Hand	1	
	018142-0102	Saddle, EXS20 – Right Hand	1	
8	018487-0101	Side Rail – Left Hand	1	
	018487-0102	Side Rail – Right Hand	1	



KINGPIN & TIE ROD

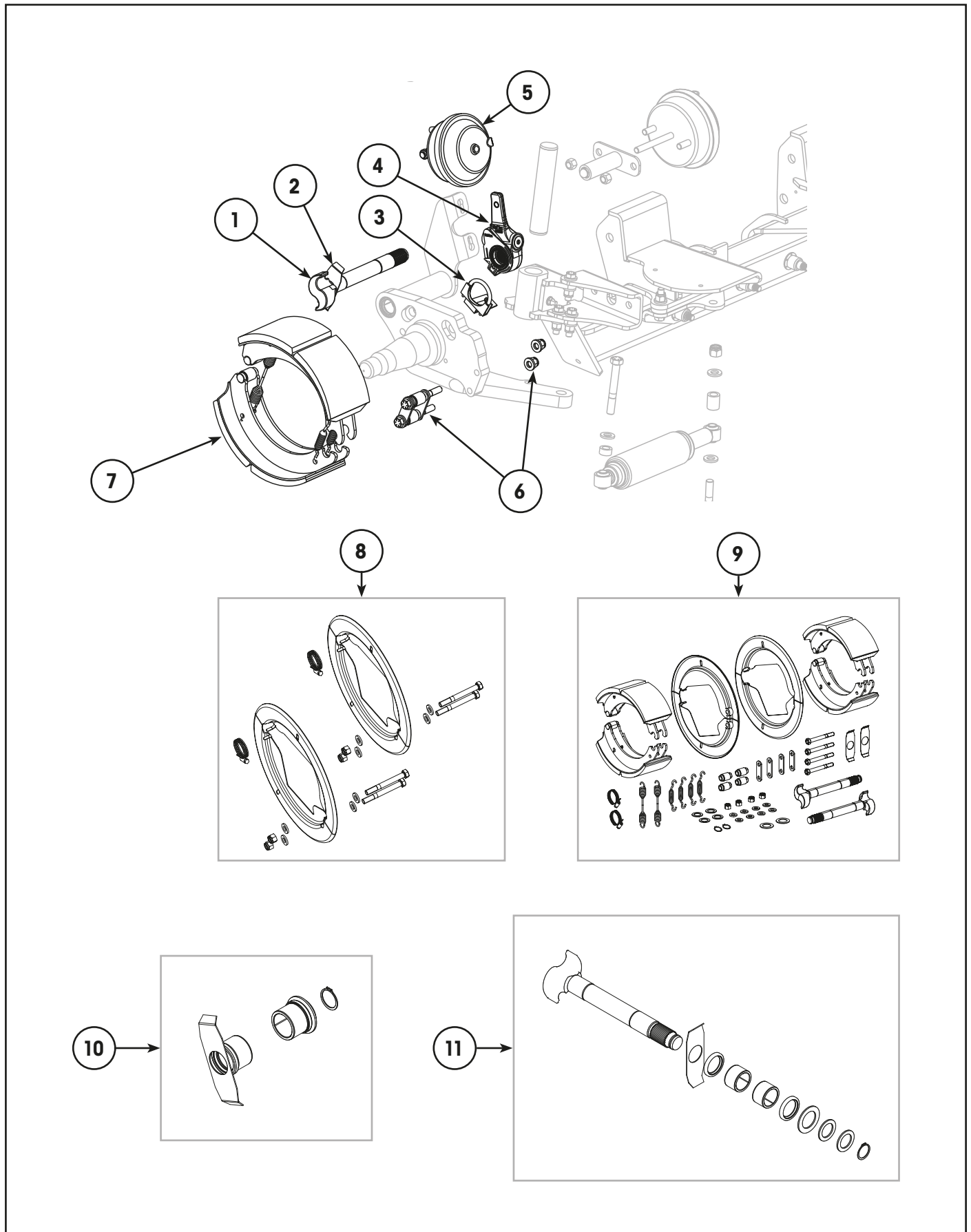


**KINGPIN & TIE ROD**

Item	Part Number	Description	Qty	Notes
1	NSS	Bolt, Upper Kingpin – 7/8"-9 UNC	4	Use item 23 or 24.
2	009957	Bracket, Upper Kingpin	2	Included in item 24.
3	NSS	Washer, Upper Kingpin – 7/8"	4	Use item 23 or 24.
4	NSS	Nut, Upper Kingpin – 7/8"-9 UNC	4	Use item 23 or 24.
5	003450	Lock Straight Plunger	2	Included in item 25.
6	003451	Lock Straight Inner Tube Assembly	2	Included in item 25.
7	6010CH2LC	Nut, Lock Straight Chamber	4	Included in items 8 & 25.
8	003515	Lock Straight Chamber – Type 30	2	Includes 2 x nuts, item 7. Included in item 25.
9	020002-00	Support, Lock Straight	2	Included in item 25.
10	018139-01	Lock Straight Mount Bracket – Left Hand	1	Included in item 25.
	018139-02	Lock Straight Mount Bracket – Right Hand	1	Included in item 25.
11	018013-01	Seat, Stabiliser Plate – Left Hand	1	
	018013-02	Seat, Stabiliser Plate – Right Hand	1	
12	017770-0201	Seat, Air Spring Lower – Left Hand	1	
	017770-0202	Seat, Air Spring Lower – Right Hand	1	
13	015537-01	Tie Rod End – Left Hand	1	Included in complete tie rod, item 14.
	015537-02	Tie Rod End – Right Hand	1	Included in complete tie rod, item 14.
14	015537-2000	Tie Rod Assembly	1	Includes tie rod ends, item 13..
15	A-14496	Stabiliser, Steering	2	Use with hardware kit, item 22.
16	6108C150H4S8	Bolt, Turn Stop	2	
17	6008CH2JC	Jam Nut, Turn Stop	2	
18	011707-1	Steering Knuckle Backbone – Left Hand	1	
	011707-2	Steering Knuckle Backbone – Right Hand	1	
19	002804	Zerk Fitting, Grease Nipple	4	Included in items 23 & 24.
20	6007FH4FC	Nut, Draw Key	2	Included in item 23.
21	008670	Draw Key	2	Included in item 23.
22	018445-0300	Mounting Hardware, Steering Stabiliser	1	Use with item 15.
23	010300-5	Bush Kit, Kingpin	1	Includes kingpins, washers & thrust bearings.
24	018444-0100	Kit, Upper Kingpin Mount & Hardware	1	Includes washers & thrust bearings.
25	018446-0100	Kit, Lock Straight & Hardware	1	Includes items 5, 6, 7, 8, 9, 10 and hardware.



DRUM BRAKE

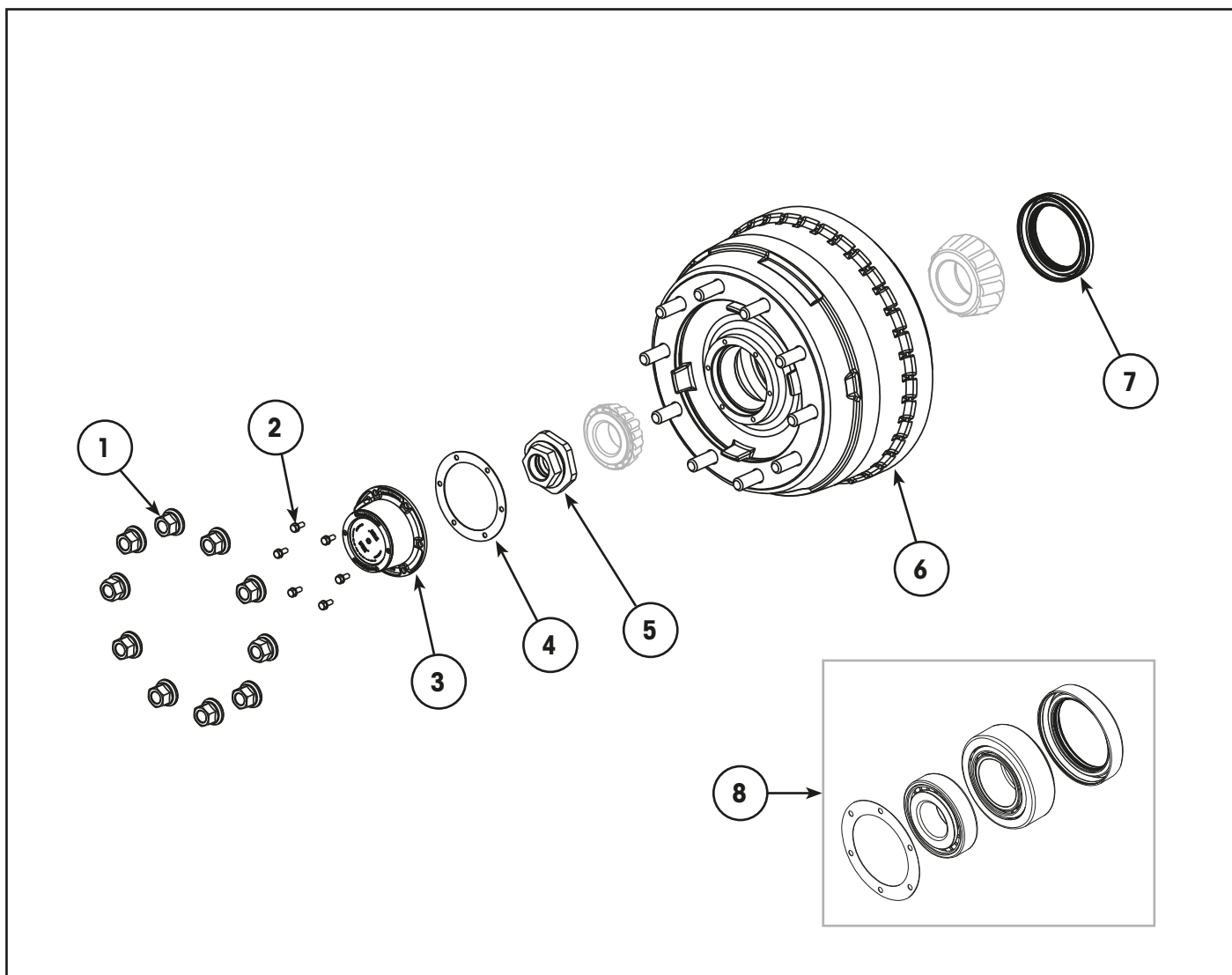




Item	Part Number	Description	Qty	Notes
1	006703-1L	S-Cam – Left Hand	1	Included in items 9 and 11.
	006703-1R	S-Cam – Right Hand	1	
2	NSS	Underhead Washer	2	Use item 9, 10 or 11.
3	A-14582	Anchor Bracket, Brake Adjuster	2	
4	001760	Slack, Auto – 5.5 Inch	2	
5	005155	Brake Chamber, Type 24, 2.5 Inch	2	
6	NSS	Anchor, Brake Shoe	2	Use item 9.
7	010112	Kit, Brake Shoe Assembly	2	Includes rollers and springs.
8	010244	Dust Shield Kit – Complete	1	Includes shields, clamps & anchor bolts.
9	018443-1700	Kit, Full Brake Service	1	Includes, dust shields, shoes, springs, anchors, hardware and S-cams. Items 1, 2, 6, 7 & 8. Note: Does not include S-cam tube seals and bushes.
10	011727	Kit, S-Cam Tube Repair	2	Includes underhead washer, seals, circlip & bushes.
11	010999-1	Kit, S-Cam – Left Hand	1	Includes S-cam, underhead washer, retaining ring, hardened washers, seals & bushes.
	010999-2	Kit, S-Cam – Right Hand	1	



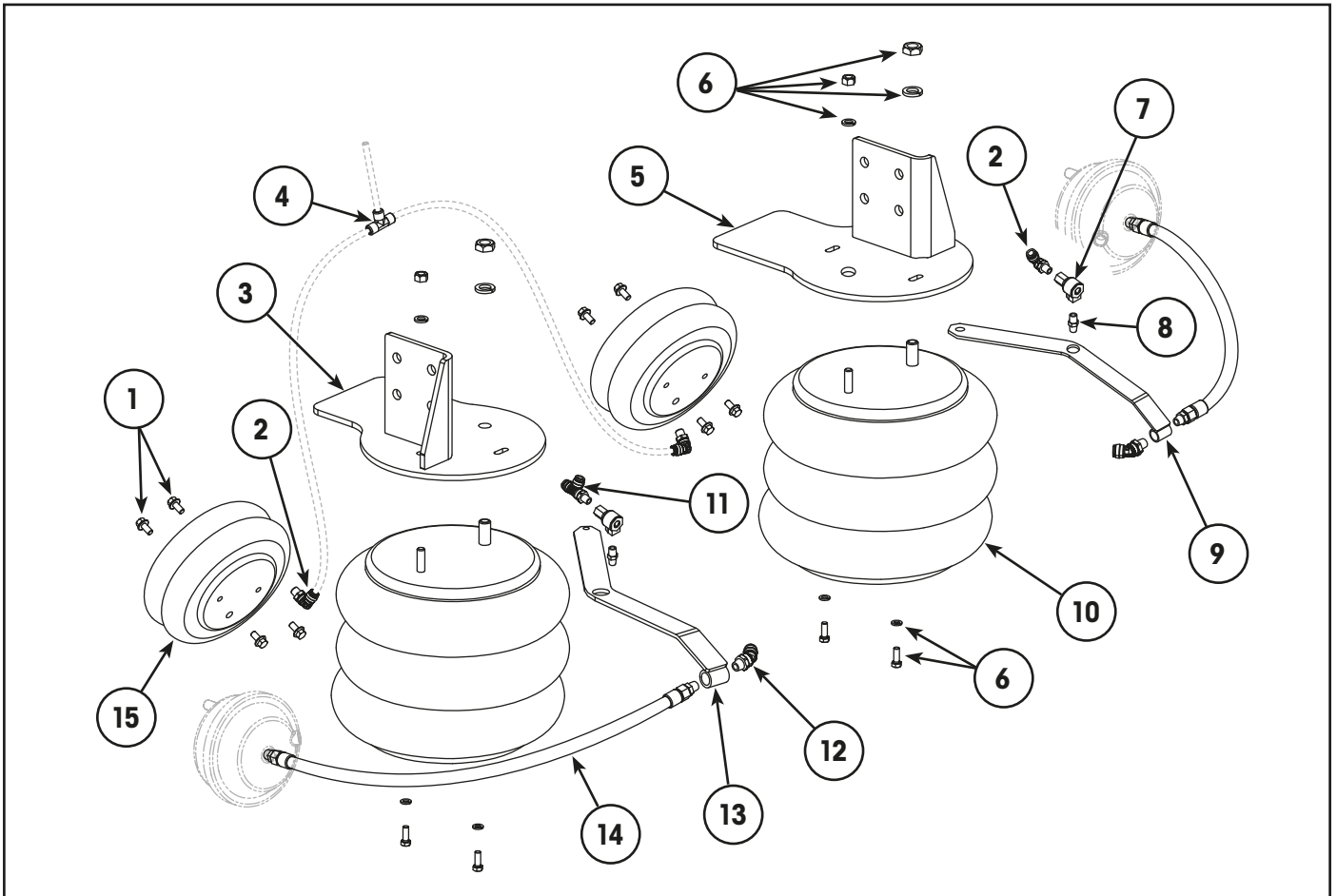
WHEEL END



Item	Part Number	Description	Qty	Notes
1	009735	Nut, Wheel	20	
2	010061-0001	Bolt, Hub Cap	12	
3	015293-04	Hub Cap	2	
4	015297-02	Gasket, Hub Cap	2	Included in bearing service kit, item 8.
5	005142	Kit, Spindle Nut	2	
6	010900-00	Drum & Hub Assembly – 16.5" x 6"	2	10 stud, 335 PCD.
7	015390-03	Seal, Hub Spindle	2	Included in bearing service kit, item 8.
8	98800-040	Kit, FL Bearing Service	2	Includes cups, cones, seal & gasket. To service one wheel end.



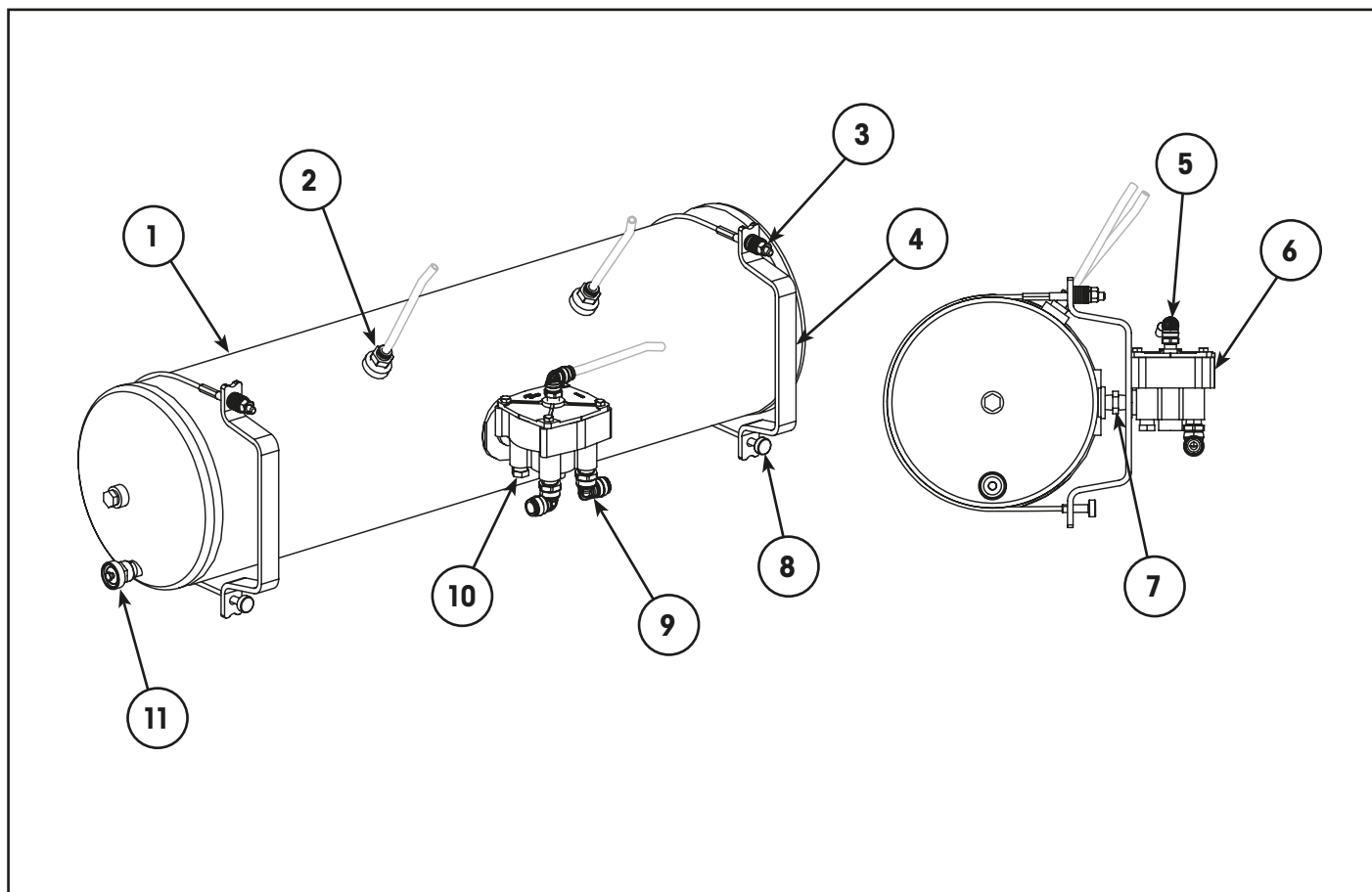
AIR SPRINGS & HARDWARE



Item	Part Number	Description	Qty	Notes
1	018439-0100	Kit, Lift Spring Bolt	1	Contains 8 x 3/8" bolts.
2	017066-01	Elbow, Male, Swivel 90, 3/8" X 1/4"	3	
3	018799-01	Air Spring Mount, Upper – Left Hand	1	
4	005679	Tee, Union 3/8" Tube	1	
5	018799-02	Air Spring Mount, Upper – Right Hand	1	
6	018948-0100	Kit, Ride Spring Hardware	1	Contains 4 flange bolts, 4 nuts and 4 washers.
7	004348	Quick Exhaust Valve	2	
8	005478	Pipe Nipple Hex 1/4" x 1/4" male	2	
9	008619-2	Bracket, Brake Coupling, Welded RH	1	
10	001346	Air Spring, Ride	2	
11	017068-00	Tee, Male Run Swivel 3/8" X 1/4"	1	
12	017067-03	Elbow, Male 45 Deg. Swivel 1/2" X 3/8"	2	
13	008619-1	Bracket, Brake Coupling, Welded LH	1	
14	005483-2	Brake Hose, 1/2" Rubber 32" Long	2	
15	010214	Air Spring, Lift	2	



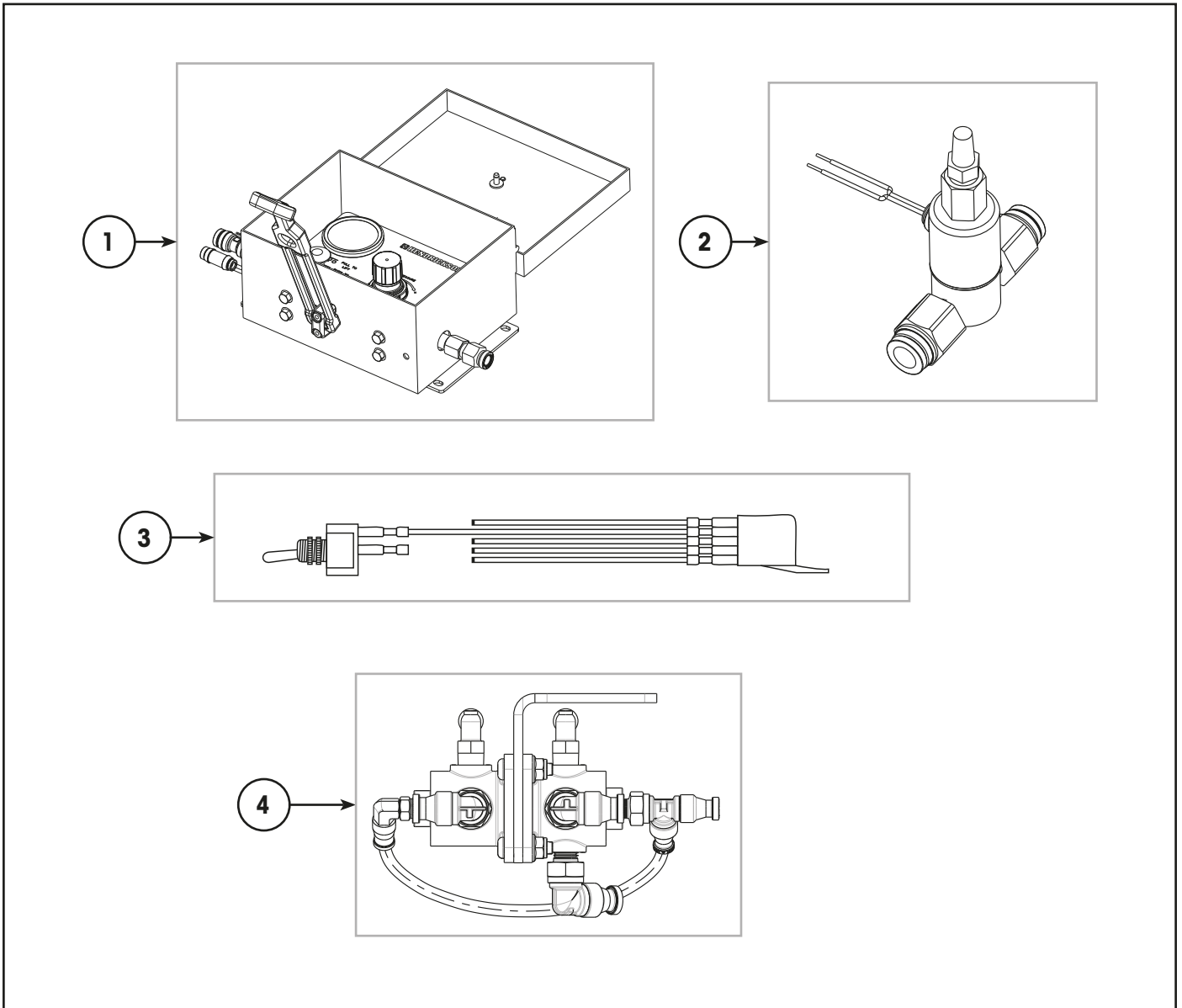
AIR TANK ASSEMBLY



Item	Part Number	Description	Qty	Notes
1	020280-000	Air Tank Assembly (2500 cu. In.) With Fittings	1	Complete with fittings, items 2 to 11.
2	005696	Connector, Male 3/8" X 1/2"	2	Included in item 1.
3	6006FH4HB	3/8" UNF Hex Nut	2	Included in item 1.
4	012456-00	Bracket Tank Strap	2	Included in item 1.
5	017066-01	Elbow, Male Swivel 90 Degree, 3/8" X 1/4"	1	Included in item 1.
6	007604	Relay Valve, Brake R-12, 5.5 psi Crack Press.	1	Included in item 1.
7	005478-4-S	Hex Pipe Nipple (Steel)	1	Included in item 1.
8	005607-1	Cable, Air Tank, 24" Long	2	Included in item 1.
9	017066-04	Elbow, Male Swivel 90 Degree, 1/2" X 3/8"	2	Included in item 1.
10	005482	Pipe Plug, Hex 3/8" NPT	4	Included in item 1.
11	005481-1	Drain Valve, 1/4" NPT (48" Cable)	1	Included in item 1.



AIR CONTROLS



Item	Part Number	Description	Qty	Notes
1	017515-00	Control System, Lift Axle	1	
2	017520-00	Valve, Reverse Lock	1	
3	017521-05	Assembly, Switch & Relay	1	
4	017521-23	Lift Valve, Secondary Control	1	C-40519-3



REVISIONS TABLE

DATE	REV	PAGE	DESCRIPTION
Dec-2020	B	5	Include dust shield kit & remove individual components, ECN 11819.
Jun-2021	C	5, 7, 8	Remove unused prefixes, remove slack anchor bracket, ECN 11832.
Feb-2023	D	9, 10	Add air tank, hoses and fittings, ECN 11980, 12007.
Feb-2023	D	7	Update brake kit number, ECN 12030.
Oct-2023	E	3	Update pivot bush kit, ECN 12117.
Feb-2025	F	5	Add lock straight bracket, tube & plunger. Add tie rod ends.
Feb-2025	F	7	Add brake adjuster anchor.
Feb-2025	F	8	Add FL wheel bearing kit.
Feb-2025	F	9	Correct air spring and hardware numbers.

*Actual product performance may vary depending upon vehicle configuration, operation, service and other factors.
 All applications must comply with applicable Hendrickson specifications and must be approved by the respective vehicle manufacturer with the vehicle in its original, as-built configuration.
 Contact Hendrickson for additional details regarding specifications, applications, capacities, and operation, service and maintenance instructions.*

Need Help? Call +81 45 670 9240 or Email jp-customerservice@hendrickson.co.jp



www.hendrickson.com.au

HENDRICKSON ASIA PACIFIC PTY LTD
 ABN 21 004 992 769
 32- 44 Letcon Drive, P.O. Box 1063
 Dandenong, Victoria, 3175
 61.3.8792.3600 • Fax 61.3.8792.3699

HENDRICKSON JAPAN
 Yokohama Creation Square 6F,
 5-1 Sakae-cho, Kanagawa-ku,
 Yokohama, Kanagawa Prefecture,
 Japan 221-0052