



H TECHNICAL PROCEDURE

HTB® LT Rear Air Suspension for International® Truck Vehicles

SUBJECT: Service Instructions

LIT NO: 17730-251

DATE: July 2016

REVISION: C

TABLE OF CONTENTS

Section 1	Introduction	2	Section 7	Component Replacement	
Section 2	Product Description	2	Fasteners	25	
Section 3	Important Safety Notice	4	Air Spring	25	
Section 4	Parts List	8	Height Control Valve and Linkage Assembly	26	
Section 5	Preventive Maintenance		Shock Absorber	27	
	Component Inspection	10	Longitudinal Torque Rod	27	
	U-bolt locknuts	11	Torque Box	29	
	Axle Brackets	11	Clamp Group (Top Pad, Lower Air Spring Bracket, U-bolts)	33	
	Torque Box	12	Axle Stop	36	
	Lateral Alignment	13	Frame Hanger	36	
	Longitudinal Torque Rods	13	Cross Member	38	
	Air Fitting	14	Section 8	Plumbing Diagram	41
	Shock Absorber	14	Section 9	Torque Specifications	42
Section 6	Alignment & Adjustments		Section 10	Troubleshooting Guide	44
	Ride Height Adjustment	16			
	Axle Alignment and Adjustments	18			
	Pinion Angle	24			



SECTION 1

Introduction

This publication is intended to acquaint and assist maintenance personnel in the preventive maintenance, service, repair, and rebuild of the HTB® LT 40,000 pound capacity rear air suspension system for applicable International Truck Vehicles.

NOTE

Use only Genuine Hendrickson parts for servicing this suspension system.

It is important to read and understand the entire Technical Procedure publication prior to performing any maintenance, service, repair, or rebuild of this product. The information in this publication contains parts lists, safety information, product specifications, features, proper maintenance, service, repair and rebuild instructions for HTB LT suspension system.

Hendrickson reserves the right to make changes and improvements to its products and publications at any time. Contact Hendrickson Tech Services for information on the latest version of this manual at 1-866-755-5968 (toll-free U.S. and Canada), 1-630-910-2800 (outside U.S. and Canada) or e-mail: techservices@hendrickson-intl.com.

The latest revision of this publication is also available online at www.hendrickson-intl.com.

SECTION 2

Product Description

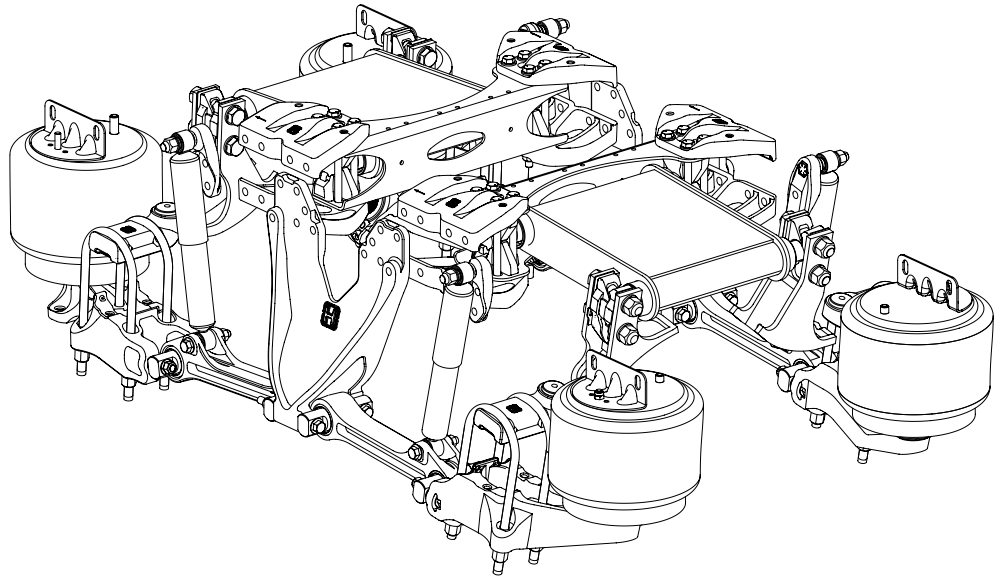
The **HTB® LT** — Lightweight, non-torque reactive rear air suspension system combines superior ride, improved stability, reduced weight and reduced maintenance. Unique design and components make the HTB LT reliable and rugged, as well as the lightest suspension in its class. Weighing just 810 pounds*, HTB LT saves up to 305 pounds compared to industry standard 40,000 pound capacity suspensions.

- **Air springs** — large volume, direct acting air springs support 100% of the vertical load to improve ride.
- **Torque box** — maintenance-free torque box system improves multi-axial stability and control. The parallelogram design controls suspension windup and corresponding frame rise. Maintaining pinion angles throughout axle travel reduces suspension-induced driveline vibration and extends driveline component life.
- **U-bolts** — Re-torque of the clamp group reduced since no twisting is applied to the clamp group.
- **Axle alignment** — The torque box, torque rods and clamp group joints provide consistent axle alignment and reduce the need for realignment.

* Represents installed suspension weight and all fasteners.



FIGURE 2-1



HTB LT SPECIFICATIONS

Capacity	40,000 lbs.
Installed Weight	810 lbs.
Off-highway Rating	10%
Axle Configuration	Tandem
Gross Vehicle Weight (GVW) Approval	55,000 lbs.
Gross Combination Weight (GCW) Approval	120,000 lbs.
Ride Heights	9.25"
Engine Torque Restrictions	None
Axle Spacing	52"
Applications^{2,4}	
General Freight (Van, Flatbed)	Yes
Refrigerated	Yes
Car Carrier	Yes
Bulk Hauler (Liquid, Dry)	Yes
Beverage	Yes
Dump³	Yes

- 1 Actual product performance may vary depending upon vehicle configuration, operation, service and other factors. All applications must comply with applicable Hendrickson specifications and must also be approved by the respective vehicle manufacturer with the vehicle in its original, as-built configuration. Contact Hendrickson and the respective vehicle manufacturer for approval of additional applications.
- 2 These are indicative of typical applications. Please contact your dealer or a Hendrickson service representative before using suspension on other applications.
- 3 Not for rock-body or mobile mix applications.
- 4 OEM approval required for applications with a lift axle.

SECTION 3

Important Safety Notice

Proper maintenance, service, and repair is important for the reliable operation of the suspension. The procedures recommended by Hendrickson and described in this technical publication are methods of performing such maintenance, service and repair.

All safety related information should be read carefully to help prevent personal injury and to assure that proper methods are used. Improper servicing may damage the vehicle, cause personal injury, render it unsafe in operation, or void manufacturer's warranty.

Failure to follow the safety precautions in this manual can result in personal injury and/or property damage. Carefully read and understand all safety related information within this publication, on all decals and in all such materials provided by the vehicle manufacturer before conducting any maintenance, service or repair.

■ EXPLANATION OF SIGNAL WORDS

Hazard "Signal Words" (Danger-Warning-Caution) appear in various locations throughout this publication. Information accented by one of these signal words must be observed to help minimize the risk of personal injury to service personnel, or possibility of improper service methods which may damage the vehicle or render it unsafe.



This is the safety alert symbol. It is used to alert you to potential personal injury hazards. Obey all safety messages that follow this symbol to avoid possible injury or death.

Additional 'Notes' or 'Service Hints' are utilized to emphasize areas of procedural importance and provide suggestions for ease of repair. The following definitions indicate the use of these signal words as they appear throughout the publication.

 DANGER

INDICATES AN IMMINENTLY HAZARDOUS SITUATION, WHICH, IF NOT AVOIDED, WILL RESULT IN SERIOUS INJURY OR DEATH.

 WARNING

INDICATES A POTENTIAL HAZARDOUS SITUATION, WHICH, IF NOT AVOIDED, COULD RESULT IN DEATH OR SERIOUS INJURY.

 CAUTION

INDICATES A POTENTIAL HAZARDOUS SITUATION, WHICH, IF NOT AVOIDED, MAY RESULT IN MINOR OR MODERATE INJURY.

NOTE

An operating procedure, practice condition, etc. which is essential to emphasize.

SERVICE HINT

A helpful suggestion that will make the servicing being performed a little easier and/or faster.

Also note that particular service operations may require the use of special tools designed for specific purposes. These special tools can be found in the Special Tools Section of this publication.



The torque symbol alerts you to tighten fasteners to a specified torque value. Refer to Torque Specifications Section of this publication.



■ SAFETY PRECAUTIONS

WARNING

FASTENERS

DISCARD USED FASTENERS. ALWAYS USE NEW FASTENERS TO COMPLETE A REPAIR. FAILURE TO DO SO COULD RESULT IN FAILURE OF THE PART, OR MATING COMPONENTS, LOSS OF VEHICLE CONTROL, PERSONAL INJURY, OR PROPERTY DAMAGE.

LOOSE OR OVER TORQUED FASTENERS CAN CAUSE COMPONENT DAMAGE, LOSS OF VEHICLE CONTROL, PROPERTY DAMAGE, OR SEVERE PERSONAL INJURY. MAINTAIN CORRECT TORQUE VALUE AT ALL TIMES. CHECK TORQUE VALUES ON A REGULAR BASIS AS SPECIFIED, USING A REGULARLY CALIBRATED TORQUE WRENCH. TORQUE VALUES SPECIFIED IN THIS TECHNICAL PUBLICATION ARE FOR HENDRICKSON SUPPLIED FASTENERS ONLY. IF NON-HENDRICKSON FASTENERS ARE USED, FOLLOW TORQUE SPECIFICATION LISTED IN THE VEHICLE MANUFACTURER'S SERVICE MANUAL.

WARNING

LOAD CAPACITY

ADHERE TO THE PUBLISHED CAPACITY RATINGS FOR THE SUSPENSION. ADD-ON AXLE ATTACHMENTS AND OTHER LOAD TRANSFERRING DEVICES CAN INCREASE THE SUSPENSION LOAD ABOVE ITS RATED AND APPROVED CAPACITIES, WHICH CAN RESULT IN COMPONENT DAMAGE AND LOSS OF VEHICLE CONTROL, POSSIBLY CAUSING PERSONAL INJURY OR PROPERTY DAMAGE.

WARNING

MODIFYING COMPONENTS

DO NOT MODIFY OR REWORK PARTS WITHOUT AUTHORIZATION FROM HENDRICKSON. DO NOT SUBSTITUTE REPLACEMENT COMPONENTS NOT AUTHORIZED BY HENDRICKSON. USE OF MODIFIED, REWORKED, SUBSTITUTE OR REPLACEMENT PARTS NOT AUTHORIZED BY HENDRICKSON MAY NOT MEET HENDRICKSON'S SPECIFICATIONS, AND CAN RESULT IN FAILURE OF THE PART, LOSS OF VEHICLE CONTROL, POSSIBLE PERSONAL INJURY OR PROPERTY DAMAGE, AND WILL VOID WARRANTY. USE ONLY HENDRICKSON AUTHORIZED REPLACEMENT PARTS.

WARNING

TORCH/WELDING

DO NOT USE A CUTTING TORCH TO REMOVE ANY ATTACHING FASTENERS. THE USE OF HEAT ON SUSPENSION COMPONENTS WILL ADVERSELY AFFECT THE STRENGTH OF THESE PARTS. A COMPONENT DAMAGED IN THIS MANNER CAN RESULT IN THE LOSS OF VEHICLE CONTROL AND POSSIBLE PERSONAL INJURY OR PROPERTY DAMAGE.

WARNING

U-BOLT CLAMP GROUP CONNECTION

IT IS IMPORTANT THAT THE U-BOLT CLAMP GROUP CONNECTION BE PROPERLY ALIGNED AND HAVE THE PROPER TIGHTENING TORQUE VALUES MAINTAINED. METAL SURFACES CAN WORK AND WEAR AGAINST OTHER RELATED CLAMP GROUP COMPONENTS IF NOT PROPERLY ALIGNED OR PROPERLY TIGHTENED TO MAINTAIN THE PROPER CLAMP FORCE. FAILURE TO DO SO CAN CAUSE PREMATURE COMPONENT WEAR, POSSIBLE SEPARATION OF THE CLAMP GROUP, CAUSING LOSS OF VEHICLE CONTROL, PROPERTY DAMAGE, OR PERSONAL INJURY.

DANGER

LONGITUDINAL TORQUE ROD

THE AIR SPRING TRANSFERS LOAD TO THE FRAME HANGER THROUGH THE LONGITUDINAL TORQUE ROD. PRIOR TO LONGITUDINAL TORQUE ROD REMOVAL THE SUSPENSION AIR SYSTEM MUST BE DEFLATED. FAILURE TO DO SO WILL CAUSE THE AIR SPRING TO ROTATE AND/OR SHIFT, RESULTING IN POSSIBLE DAMAGE TO COMPONENTS AND/OR PERSONAL INJURY.

WARNING

TORQUE BOX CLAMP BOLTS

IT IS IMPORTANT THAT THE TORQUE BOX CLAMP CONNECTIONS BE TIGHTENED IN THE PROPER SEQUENCE AND HAVE THE PROPER TIGHTENING TORQUE VALUES MAINTAINED. FAILURE TO DO SO CAN RESULT IN THE DEFORMATION OF PARTS, RESULTING IN THE LOSS OF CLAMP FORCE, BOLT FAILURE, LOSS OF THE AXLE'S ALIGNMENT, LOSS OF VEHICLE CONTROL, PROPERTY DAMAGE, OR PERSONAL INJURY.

WARNING

THE TORQUE BOX IS A CRITICAL COMPONENT OF THE HTB LT REAR SUSPENSION. IF ANY SUCH COMPONENTS APPEAR DAMAGED OR WORN THE COMPONENT MUST BE REPLACED. FAILURE TO REPLACE SUCH WORN OR DAMAGED COMPONENTS CAN RESULT IN THE DEFORMATION OF PARTS, LOSS OF CLAMP FORCE, BOLT FAILURE, LOSS OF THE AXLE'S ALIGNMENT, LOSS OF VEHICLE CONTROL, PROPERTY DAMAGE, OR PERSONAL INJURY.

 **WARNING****TORQUE BOX AXLE BRACKET SPACER**

HTB SUSPENSIONS ORIGINALLY EQUIPPED ON VEHICLES BUILT AFTER OCTOBER 2007 — EACH AXLE HAS TWO (2) AXLE BRACKETS. EACH AXLE BRACKET HAS ONE (1) LEFT HAND AND ONE (1) RIGHT HAND BAR PIN CLAMPS AND TWO (2) AXLE BRACKET SPACERS. BOTH SPACERS MUST BE USED WITH THE BAR PIN CLAMPS. FAILURE TO DO SO CAN RESULT IN THE DEFORMATION OF PARTS, LOSS OF CLAMP FORCE, BOLT FAILURE, LOSS OF THE AXLE'S ALIGNMENT, LOSS OF VEHICLE CONTROL, PROPERTY DAMAGE, OR PERSONAL INJURY.

HTB SUSPENSIONS ORIGINALLY EQUIPPED ON VEHICLES BUILT PRIOR TO OCTOBER 2007 — EACH AXLE HAS ONE (1) AXLE BRACKET WITH AN ADJUSTABLE BAR PIN CLAMP WITH FOUR (4) AXLE BRACKET SPACERS AND ONE (1) AXLE BRACKET WITH NON-ADJUSTABLE BAR PIN CLAMPS. THE BAR PIN CLAMP PAIRS CAN BE CHANGED FROM SIDE TO SIDE BUT CAN NOT BE MIXED. ALL FOUR AXLE BRACKET SPACERS MUST BE USED WITH THE ADJUSTABLE BAR PIN CLAMPS WHICH ARE THINNER THAN THE NON-ADJUSTABLE BAR PIN CLAMPS. FAILURE TO DO SO CAN RESULT IN THE DEFORMATION OF PARTS, LOSS OF CLAMP FORCE, BOLT FAILURE, LOSS OF THE AXLE'S ALIGNMENT, LOSS OF VEHICLE CONTROL, PROPERTY DAMAGE, OR PERSONAL INJURY.

ENSURE THE DRAINAGE FEATURE OF THE AXLE HOUSING IS NOT OBSTRUCTED WITH DEBRIS. IF SO, CLEAR THE AREA WITH A BRUSH OR AIR HOSE. FAILURE TO DO SO MAY ALLOW THE CAVITY TO FILL WITH WATER AND SEEP INTO THE AXLE HOUSING THROUGH BREATHER HOLE SIDE.

 **WARNING****ALUMINUM COMPONENTS**

THE HTB LT CONTAINS VARIOUS ALUMINUM COMPONENTS. EXERCISE EXTREME CARE WHEN HANDLING OR PERFORMING MAINTENANCE NEAR OR ON ALUMINUM COMPONENTS. DO NOT USE A CUTTING TORCH TO REMOVE ANY ATTACHING FASTENERS. THE USE OF HEAT ON SUSPENSION COMPONENTS WILL ADVERSELY AFFECT THE STRENGTH OF THESE PARTS. A COMPONENT DAMAGED IN THIS MANNER CAN RESULT IN THE LOSS OF VEHICLE CONTROL AND POSSIBLE PERSONAL INJURY OR PROPERTY DAMAGE.

ALUMINUM COMPONENTS WERE DESIGNED TO BE LIGHTWEIGHT OPTIONS WHERE WEIGHT REDUCTION IS DESIRABLE. THEIR USE SHALL BE CONFINED TO APPLICATIONS WHERE THE RATED CAPACITY OF THE SUSPENSION WILL NOT BE EXCEEDED. FAILURE TO LIMIT THE ALUMINUM COMPONENT APPLICATIONS TO RATED CAPACITY CAN RESULT IN FAILURE OF THE COMPONENT AND LOSS OF VEHICLE CONTROL, POSSIBLY CAUSING PERSONAL INJURY OR PROPERTY DAMAGE.

ALUMINUM COMPONENTS SUCH AS, TORQUE RODS, TORQUE ROD BAR PIN, CROSS MEMBER CLAMP BLOCKS, AIR SPRING BRACKETS, FRAME HANGER, CROSS MEMBER GUSSETS, TOP PAD, ETC., CAN BE DAMAGED WITH PROLONGED EXPOSURE TO SALT, OR ACID. CONTINUED EXPOSURE CAN RESULT IN A FAILURE OF THESE PARTS AND LOSS OF VEHICLE CONTROL POSSIBLY CAUSING PERSONAL INJURY OR PROPERTY DAMAGE.

ALUMINUM COMPONENTS CAN ALSO BE DAMAGED BY CONTACT WITH HARD OBJECTS WHICH GOUGE THESE PARTS. THESE CONDITIONS COULD RESULT IN A FAILURE OF THESE PARTS WHICH CAN RESULT IN THE LOSS OF VEHICLE CONTROL AND POSSIBLE PERSONAL INJURY OR PROPERTY DAMAGE.

 **WARNING****AIR SPRINGS**

AIR SPRING ASSEMBLIES MUST BE COMPLETELY DEFLATED PRIOR TO LOOSENING ANY CLAMP GROUP HARDWARE, OR OTHERWISE PERFORMING ANY MAINTENANCE, SERVICE OR REPAIR OF THE SUSPENSION SYSTEM. UNRESTRICTED AIR SPRING ASSEMBLIES CAN VIOLENTLY SHIFT. DO NOT INFLATE AIR SPRING ASSEMBLIES WHEN THEY ARE UNRESTRICTED. AIR SPRING ASSEMBLIES MUST BE RESTRICTED BY SUSPENSION OR OTHER ADEQUATE STRUCTURE. DO NOT INFLATE BEYOND PRESSURES RECOMMENDED BY AIR SPRING MANUFACTURER, CONTACT HENDRICKSON TECHNICAL SERVICES FOR DETAILS. IMPROPER USE OR OVER INFLATION MAY CAUSE AIR SPRING ASSEMBLIES TO BURST, CAUSING PROPERTY DAMAGE AND/OR SEVERE PERSONAL INJURY.

 **WARNING**

PRIOR TO AND DURING DEFLATION AND INFLATION OF THE AIR SUSPENSION SYSTEM, ENSURE ALL PERSONNEL AND EQUIPMENT ARE CLEAR FROM UNDER THE VEHICLE AND AROUND THE SERVICE AREA, FAILURE TO DO SO CAN CAUSE SERIOUS PERSONAL INJURY, DEATH, OR PROPERTY DAMAGE.



CAUTION

AIR SPRING INFLATION

INFLATE THE SUSPENSION SLOWLY, ENSURE THAT THE RUBBER BLADDER OF THE AIR SPRING INFLATES UNIFORMLY AND IS NOT BINDING. FAILURE TO DO SO CAN CAUSE DAMAGE TO THE AIR SPRING AND/OR AIR SPRING MOUNTING BRACKETS VOIDING WARRANTY.

CAUTION

AIR SPRING LOWER MOUNTING STUDS

IF THE AIR SPRING IS BEING REMOVED FOR AN ALTERNATE REPAIR, IT IS MANDATORY TO LUBRICATE THE LOWER AIR SPRING FASTENERS WITH PENETRATING OIL AND REMOVE WITH HAND TOOLS TO PREVENT DAMAGE TO THE LOWER AIR SPRING MOUNTING STUD. FAILURE TO DO SO CAN CAUSE COMPONENT DAMAGE AND VOID WARRANTY.

CAUTION

PROCEDURES AND TOOLS

A MECHANIC USING A SERVICE PROCEDURE OR TOOL WHICH HAS NOT BEEN RECOMMENDED BY HENDRICKSON MUST FIRST SATISFY HIMSELF THAT NEITHER HIS SAFETY NOR THE VEHICLE'S SAFETY WILL BE JEOPARDIZED BY THE METHOD OR TOOL SELECTED. INDIVIDUALS DEVIATING IN ANY MANNER FROM THE INSTRUCTIONS PROVIDED WILL ASSUME ALL RISKS OF CONSEQUENTIAL PERSONAL INJURY OR DAMAGE TO EQUIPMENT INVOLVED.

WARNING

SHOCK ABSORBERS

THE SHOCK ABSORBERS ARE THE REBOUND TRAVEL STOPS FOR THE SUSPENSION. ANYTIME AN AXLE ON THE SUSPENSION IS SUSPENDED IT IS MANDATORY THAT THE SHOCK ABSORBERS REMAIN CONNECTED. FAILURE TO DO SO CAN CAUSE THE AIR SPRINGS TO SEPARATE FROM THE PISTON AND RESULT IN PREMATURE AIR SPRING FAILURE. REPLACEMENT OF SHOCK ABSORBERS WITH NON-HENDRICKSON GENUINE PARTS CAN ALTER THE TRAVEL OF THE SUSPENSION.

WARNING

PERSONAL PROTECTIVE EQUIPMENT

ALWAYS WEAR PROPER EYE PROTECTION AND OTHER REQUIRED PERSONAL PROTECTIVE EQUIPMENT TO HELP PREVENT PERSONAL INJURY WHEN PERFORMING VEHICLE MAINTENANCE, REPAIR OR SERVICE.

WARNING

PARTS CLEANING

SOLVENT CLEANERS CAN BE FLAMMABLE, POISONOUS, AND CAUSE BURNS. TO HELP AVOID SERIOUS PERSONAL INJURY, CAREFULLY FOLLOW THE MANUFACTURER'S PRODUCT INSTRUCTIONS AND GUIDELINES AND THE FOLLOWING PROCEDURES:

1. WEAR PROPER EYE PROTECTION.
2. WEAR CLOTHING THAT PROTECTS YOUR SKIN.
3. WORK IN A WELL-VENTILATED AREA.
4. DO NOT USE GASOLINE OR SOLVENTS THAT CONTAIN GASOLINE. GASOLINE CAN EXPLODE.
5. ACIDIC SOLUTIONS CANNOT BE USED ON ALUMINUM COMPONENTS.
6. HOT SOLUTION TANKS OR ALKALINE SOLUTIONS MUST BE USED CORRECTLY. FOLLOW THE MANUFACTURER'S RECOMMENDED INSTRUCTIONS AND GUIDELINES CAREFULLY TO HELP PREVENT PERSONAL ACCIDENT OR INJURY. DO NOT USE HOT SOLUTION TANKS OR WATER AND ALKALINE SOLUTIONS TO CLEAN GROUND OR POLISHED PARTS. DOING SO WILL CAUSE DAMAGE TO THE PARTS AND VOID WARRANTY.

WARNING

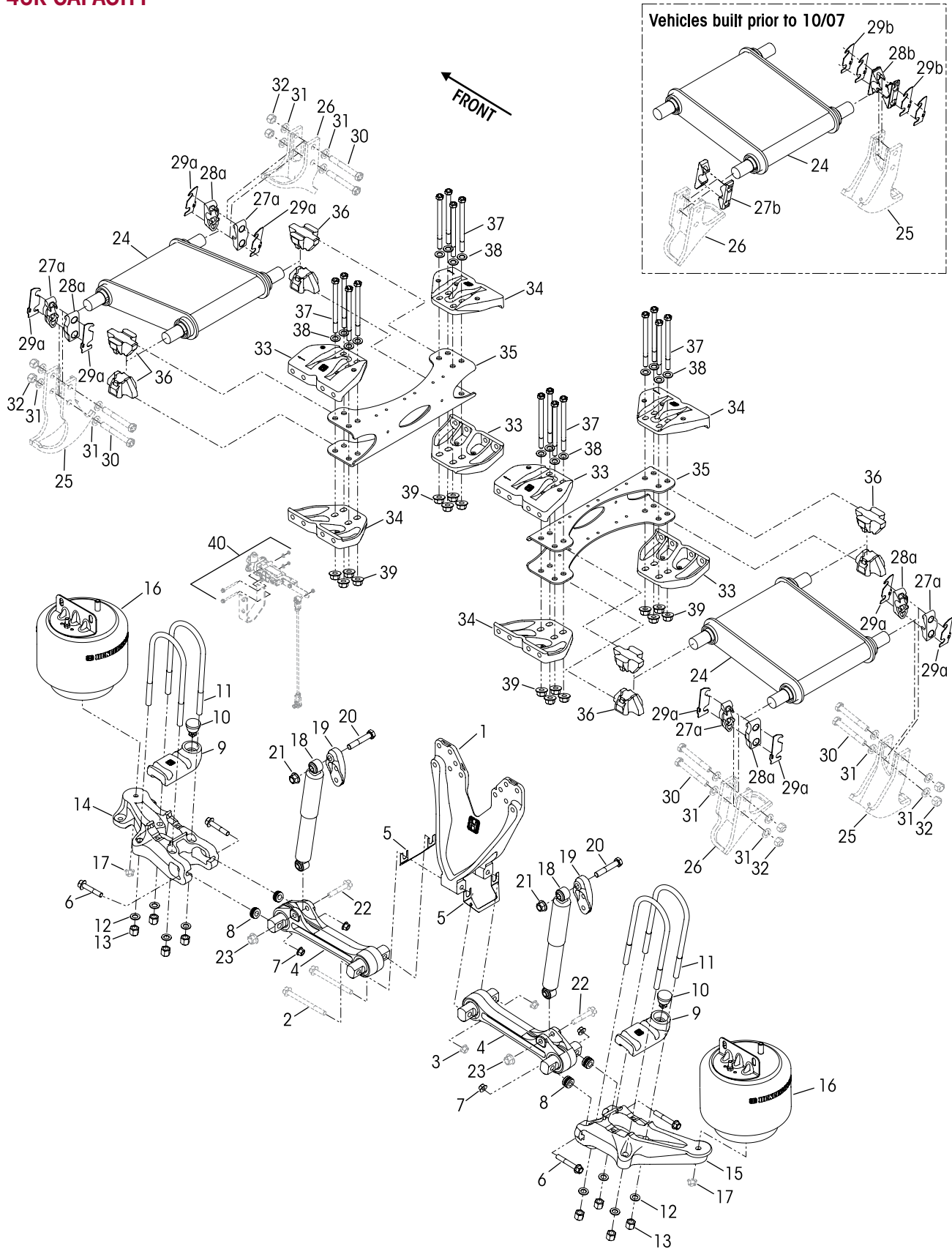
JACKING METHODS

IMPROPER JACKING METHODS CAN CAUSE STRUCTURAL DAMAGE AND RESULT IN LOSS OF VEHICLE CONTROL, SEVERE PERSONAL INJURY OR DEATH AND WILL VOID HENDRICKSON'S WARRANTY.

- DO NOT USE THE SUSPENSION CROSS BAR AS A JACKING POINT.
- REFER TO VEHICLE MANUFACTURER FOR PROPER JACKING INSTRUCTIONS.

SECTION 4 Parts List

40K CAPACITY





VEHICLE				VEHICLE			
KEY NO.	PART NO.	DESCRIPTION	QTY.	KEY NO.	PART NO.	DESCRIPTION	QTY.
1	65700-000	Frame Hanger	2	22		*Lower Shock Flange Hex Bolt	4
2		*Frame Hanger Flange Hex Bolt	4	23		*Lower Shock Flange Locknut	4
3		*Frame Hanger Flange Locknut	4		60961-721	Torque Box Service Kit, Single Axle, Includes Key Nos. 4, 24, 27a-29a, 36-39	
4	77906-398	Torque Rod Assembly, <i>Replaces 64768-398</i>	4	24	64785-007B	Torque Box Assembly, <i>Replaces 64785-001, 64785-002B</i>	2
5		Torque Rod Shims	As Req.	25		**Tall Axle Bracket	2
	65640-001	0.030"		26		**Short Axle Bracket	2
	65640-002	0.060"		27		Axle Bracket Bar Pin Clamp	4
	65640-003	0.120"		a	67157-001	LH, <i>Vehicles built after 10/07</i>	
6	66636-00X	5/8"-11 UNC Torque Rod Flange Bolt, <i>(See chart below for length and Part No.)</i>	8	b	66174-000	Non-Adjustable, <i>Vehicles built prior to 10/07</i>	
7	66637-000	5/8"-11 UNC Torque Rod Flange Locknut	8	28		Axle Bracket Bar Pin Clamp	4
8	66193-00X	Pinion Spacer <i>(See chart below)</i>	8	a	67157-002	RH, <i>Vehicles built after 10/07</i>	
9	65708-000	Axle Top Pad Assembly, Includes Key No. 10	4	b	66274-000	Adjustable, <i>Vehicles built prior to 10/07</i>	
10	64080-000	Axle Stop	4	29		Axle Bracket Spacer (3/32")	8
	48718-116	U-bolt Fasteners Service Kit, Single Axle Includes Key Nos. 11-13		a	67237-001	<i>Vehicles built after 10/07</i>	
11	64102-002	3/4"-16 UNF x 14" U-bolt	8	b	65737-001	<i>Vehicles built prior to 10/07</i>	
12	22962-001	3/4" Hardened Flat Washer	16	30		*Axle Bracket Hex Bolt	8
13	49685-000	3/4"-16 UNF U-bolt Locknut	16	31		*Axle Bracket Washer	16
14		Lower Air Spring Bracket, Front <i>(See chart below)</i>	2	32		*Axle Bracket Locknut	8
15		Lower Air Spring Bracket, Rear <i>(See chart below)</i>	2			Cross Member Gusset	
16	66643-002L	Air Spring Assembly, <i>Replaces 60977-002L</i>	4	33	65705-001	LH Top, RH Bottom	4
17		*1/2"-13 UNC Flange Nut	4	34	65705-002	LH Bottom, RH Top	4
18	60657-008L	Shock Absorber, <i>Replaces 60657-006</i>	4	35	67478-000	Cross Member C-Channel, <i>Replaces 64970-000</i>	2
	60657-010L	ProStar		36	65144-000	Cross Member Bar Pin Clamp	8
	60657-011L	Prostar Daycab			60961-722	Torque Box Fasteners Service Kit, Single Axle, Includes Key Nos. 29a, 37-39	
19	67463-002	Shock Absorber Frame Bracket <i>Replaces 65000-002</i>	4	37	32043-022	5/8"-11 UNC x 8 3/4" Cross Member Hex Bolt	16
	50754-022	Upper Shock Mount Fastener Kit, One Shock, Includes Key Nos. 20-21		38	22962-004	5/8" Cross Member Washer	16
20	58917-001	3/4"-10 UNC x 4 1/4" Hex Bolt, <i>Replaces 50764-010</i>	4	39	66637-000	5/8"-11 UNC Cross Member Flange Locknut <i>Replaces 47764-000</i>	16
21	66137-000	3/4"-10 UNC Flange Locknut	4	40		*Height Control Valve and Linkage Assembly	1

NOTE:

* Not supplied by Hendrickson, used for reference only. Hendrickson is not responsible for components supplied by the vehicle manufacturer. For assistance with maintenance and rebuild instructions on these components see vehicle manufacturer.

** Supplied to the axle manufacturer by Hendrickson. Hendrickson is not responsible for installation of the axle brackets installed by the axle manufacturer. For assistance with maintenance and rebuild instructions on these components, see the axle manufacturer.

HTB LT PINION ANGLE CHART							
Axle Location	Pinion Angle	Key Nos. 14 & 15		Key No. 8		Key No. 6	
		Air Spring Bracket Part No.		Pinion Spacer		Torque Rod Flange Bolt	
		Left Hand	Right Hand	Thickness	Part No.	Length	Part No.
FRONT	2°	65638-001	65638-002	None	None	3 1/2"	66636-004
	3°			8 mm	66193-001	4"	66636-003
	4°			16 mm	66193-002		
	5°			24 mm	66193-003	4 1/2"	66636-002
REAR	8°	65698-001	65698-002	24 mm	66193-003	4 1/2"	66636-002
	9°			16 mm	66193-002	4"	66636-003
	10°			8 mm	66193-001		
REAR	11°	64764-001	64764-002	24 mm	66193-003	4 1/2"	66636-002
	12°			16 mm	66193-002		
	13°			8 mm	66193-001	4"	66636-003

SECTION 5

Preventive Maintenance

COMPONENT INSPECTION

A visual inspection of the suspension should be performed every 25,000 miles or every six months, whichever comes first, to help insure all components function to their highest efficiency.

- **Air spring** — Inspect air springs for chafing or any signs of air spring or component damage. Insure that the upper bead plate is tight against the underside of the frame. Check for any lateral slippage at the lower air spring bracket. Slippage of 1/8" in either direction is acceptable. Replace all worn or damaged parts.
- **Air spring bracket** — Check the overall condition of the upper and lower air spring brackets for dents, dings, cracks or other damage. Check for any signs of looseness in the clamp group. Check all fasteners for proper torque. Replace all worn or damaged parts.
- **Cross member and gussets** — Inspect the cross member and gussets for any signs of loosening or damage. Inspect the bar pin clamp blocks for any signs of looseness or movement. Check all fasteners for proper torque. Replace all worn or damaged parts.
- **Fasteners** — Look for any loose or damaged fasteners on the entire suspension. Make sure all fasteners are tightened to a torque value within the specified torque range. Refer to Torque Specifications Section of this publication for Hendrickson recommended torque requirements. Use a calibrated torque wrench to check torque in the tightening direction. As soon as the fastener starts to move, record the torque. Correct the torque if necessary. Replace any worn or damaged fasteners.

NOTE

Hendrickson recommends the use of Grade 8 bolts and Grade C locknuts for all suspension component attachments.

- **Frame hanger bracket** — Inspect the frame hanger bracket for any signs of loosening or damage. Inspect all fasteners securing the frame hanger bracket to the frame rails as well as the longitudinal torque rod mounting fasteners. Check all fasteners for proper torque. Replace all worn or damaged parts.
- **Height control valve and air lines** — Check the suspension air system for air leaks. Check all air lines for proper routing. Check for chafing or pinched air lines. Check the height control valve linkage for damage or interference with peripheral components. Replace all worn or damaged parts.
- **Shock absorbers** — Look for any signs of dents or leakage. Misting is not considered a leak. See Shock Absorber Inspection in this section.
- **Tire wear** — Inspect the tires for wear patterns that may indicate suspension damage or misalignment. Replace all worn or damaged parts. Verify proper alignment and correct as necessary.
- **Top pad and rubber axle stop** — Look for cracks and or missing rubber axle stops. The rubber axle stop is exposed to contact forces in extreme jounce conditions. It will be necessary to visually inspect the rubber axle stop for wear at the specified inspection interval. The rubber axle stop must be replaced when the contact rubber is worn down to a 1/16" above the bump stop pedestal. Refer to the Component Replacement Section of this publication for replacement.
- **Wear and damage** — Inspect all parts of the suspension for wear and damage. Look for bent or cracked parts. Replace all worn or damaged parts.

See vehicle manufacturer's applicable publications for other preventive maintenance requirements.



U-BOLT LOCKNUTS

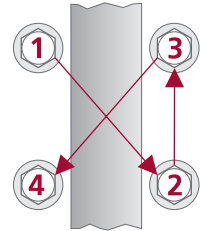
- U-bolt locknuts must be re-torqued to specification at preparation for delivery.
- U-bolt locknuts must be re-torqued at 1,000 miles or first service interval.
- Thereafter, follow annually or 100,000 mile inspection and re-torque interval.

NOTE

Current Hendrickson Truck Suspension Systems U-bolt clamp group hardware for the HTB LT suspension are 3/4"-16 UNF Grade C high locknuts and 3/4"-16 UNF Grade 8 U-bolts are phosphate and oil coated.

Tighten the U-bolt locknuts evenly in 50 foot pounds increments to 335 ± 25 foot pounds torque in the proper pattern as shown in Figure 6-1 to achieve uniform bolt tension.

FIGURE 6-1



WARNING

IT IS IMPORTANT THAT THE U-BOLT CLAMP GROUP CONNECTION BE PROPERLY ALIGNED AND HAVE THE PROPER TIGHTENING TORQUE VALUES MAINTAINED. METAL SURFACES CAN WORK AND WEAR AGAINST OTHER RELATED CLAMP GROUP COMPONENTS IF NOT PROPERLY ALIGNED OR PROPERLY TIGHTENED TO MAINTAIN THE PROPER CLAMP FORCE. FAILURE TO DO SO CAN CAUSE PREMATURE COMPONENT WEAR, POSSIBLE SEPARATION OF THE CLAMP GROUP, CAUSING LOSS OF VEHICLE CONTROL, PROPERTY DAMAGE, OR PERSONAL INJURY.

AXLE BRACKETS

Due to the complexity and importance of the axle bracket-to-axle weld, the axle brackets and the axle housing are non-serviceable items. If the axle brackets show excessive wear or the welds have cracks, the axle housing assembly (includes axle brackets) must be replaced.

Visually Inspect:

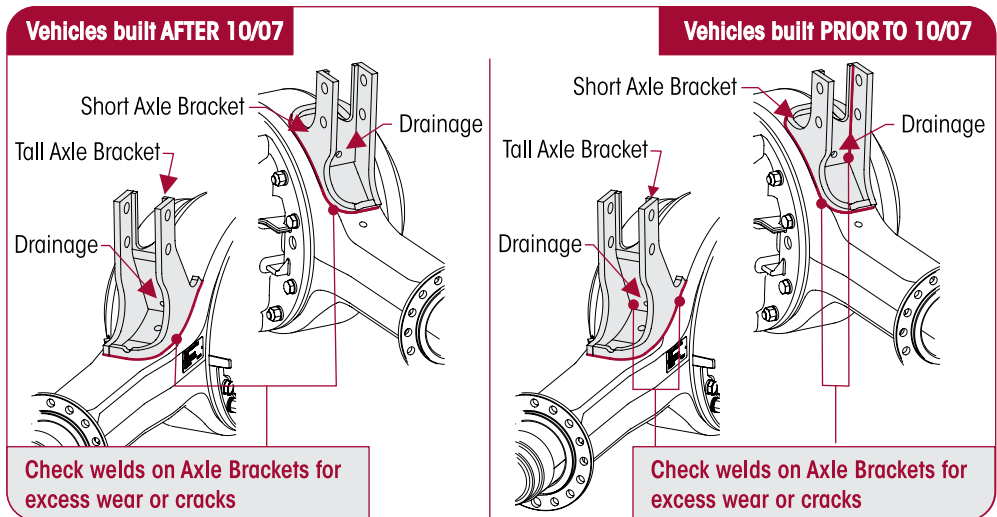
- The axle brackets for signs of excessive wear. Check the welds for signs of cracking, see Figure 6-2.
- The weld from the axle bracket to axle for signs of cracking, see Figure 6-2.

If damaged, excessive wear, or cracking is detected on any of these inspections, the axle housing assembly must be replaced.

CAUTION

ENSURE THE DRAINAGE FEATURE OF THE AXLE HOUSING IS NOT OBSTRUCTED WITH DEBRIS. IF SO, CLEAR THE AREA WITH A BRUSH OR AIR HOSE. FAILURE TO DO SO MAY ALLOW THE CAVITY TO FILL WITH WATER AND SEEP INTO THE AXLE HOUSING THROUGH BREATHER HOLE SIDE.

FIGURE 6-2





TORQUE BOX

⚠ WARNING

THE TORQUE BOX IS A CRITICAL COMPONENT OF THE HTB LT REAR SUSPENSION. IF ANY SUCH COMPONENTS APPEAR DAMAGED OR WORN THE COMPONENT MUST BE REPLACED. FAILURE TO REPLACE SUCH WORN OR DAMAGED COMPONENTS CAN RESULT IN THE DEFORMATION OF PARTS, LOSS OF CLAMP FORCE, BOLT FAILURE, LOSS OF THE AXLE'S ALIGNMENT, LOSS OF VEHICLE CONTROL, PROPERTY DAMAGE, OR PERSONAL INJURY.

It is important to inspect the torque box during preventive maintenance service. Visually inspect the torque box for cracks, damage, torn or shredded rubber, bushing walk-out (slip) or any signs of looseness at the bar pin clamps. Replace all worn or damaged parts. The torque box is a non-serviceable item and must be replaced as an assembly, if damaged, or the bushings are worn out. Check all fasteners for proper torque, see Torque Specifications Section of this publication.

VISUAL COMPONENT INSPECTION

1. Use a work bay with a level surface.
2. Relax the suspension by slowly moving the vehicle back and forth several times in a straight line. This will slacken or loosen the suspension as the vehicle is positioned. End with all wheels positioned straight ahead.
3. Chock the front wheels of the vehicle.
4. Visually inspect for signs of the following unacceptable conditions:
 - Any shift, angle, or tilt in the air springs away from vertical position, see Figure 6-3.

FIGURE 6-3

UNACCEPTABLE Air Spring



NOTE

A protruding and recessed torque box bushing lobe(s) may be visible without removing the torque box.

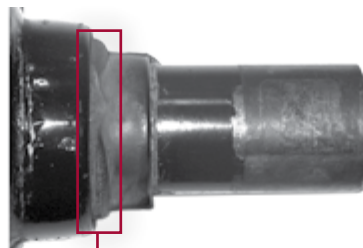
- Any torque box bushing lobe(s) protruding out of a torque box end hub with the opposite side of the torque box bushing recessed into the torque box, see Figure 6-4. An acceptable torque box bushing is also shown in Figure 6-4.
- Any interference or contact between components, see Figure 6-5.

FIGURE 6-4

ACCEPTABLE Torque Box Bushing



UNACCEPTABLE Torque Box Bushings

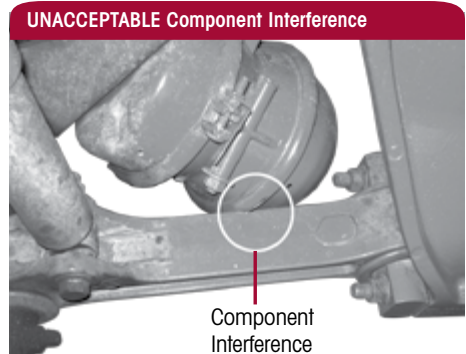


Torque box bushing lobe protruding out of end hub is evidence of bushing walkout



Bushing recessed into the torque box on the opposite side of the protruding torque box bushing

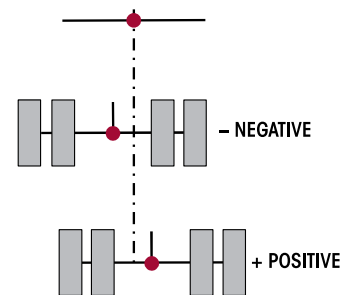
5. If any of the above-referenced conditions are present it is possible that one or both of the torque box bushings have shifted inside the respective torque box assembly. Under such conditions, it will be necessary to replace the torque box assembly and the torque rod assemblies through installation of Service Kit No. 60961-721. Refer to Component Replacement Section of this publication.

FIGURE 6-5


LATERAL ALIGNMENT

The torque box maintains lateral alignment of the drive axles and controls axle walkout during cornering. If the lateral alignment of the drive axles is incorrect, it may be necessary to align the torque box and/or the axle. See Lateral Alignment in the Alignment & Adjustments Section in this publication.

- Inspect the drive axle tires for any lateral offset, see Figure 6-6. Drive axle lateral offset is defined as the shifting of one or both of the drive axle's centerline to the left or right from the vehicle centerline.

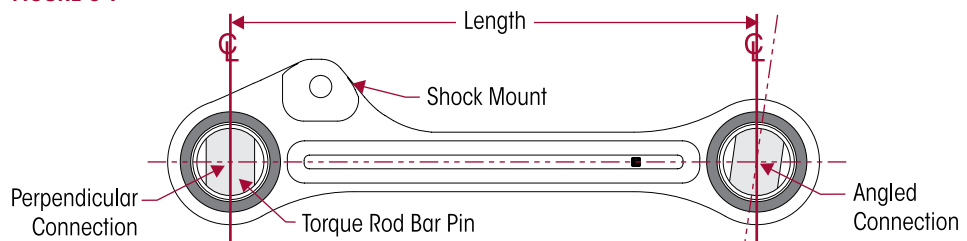
FIGURE 6-6


LONGITUDINAL TORQUE RODS

The longitudinal torque rods, air spring brackets, pinion spacers, and the torque box, maintain driveline angles while controlling acceleration, cornering, and braking forces. All torque rods and mounting hardware should be inspected for damage and proper fastener torque every six months. Follow the vehicle manufacturer's specifications for torque values.

DANGER

THE AIR SPRING TRANSFERS LOAD TO THE FRAME HANGER THROUGH THE LONGITUDINAL TORQUE ROD. PRIOR TO LONGITUDINAL TORQUE ROD REMOVAL THE SUSPENSION AIR SYSTEM MUST BE DEFLATED. FAILURE TO DO SO WILL CAUSE THE AIR SPRING TO VIOLENTLY SHIFT, RESULTING IN POSSIBLE DAMAGE TO COMPONENTS AND/OR PERSONAL INJURY.

FIGURE 6-7


INSPECTION

1. Chock the wheels.
2. Support the frame.

WARNING

PRIOR TO AND DURING DEFLATION AND INFLATION OF THE AIR SUSPENSION SYSTEM, ENSURE ALL PERSONNEL AND EQUIPMENT ARE CLEAR FROM UNDER THE VEHICLE AND AROUND THE SERVICE AREA, FAILURE TO DO SO CAN CAUSE SERIOUS PERSONAL INJURY, DEATH, OR PROPERTY DAMAGE.

3. See additional Air Spring Cautions and Warnings in the Important Safety Notice Section of this publication prior to deflating or inflating the suspension system.

4. Disconnect the height control valve linkage assembly from the height control valve lever. Lower the height control valve lever to exhaust the air in the air springs and deflate the rear suspension, see the vehicle manufacturer's instructions.
5. Visually inspect for signs of the following unacceptable conditions:
 - The torque rods for cracks, bends, breaks, or end hubs, which are elongated or oval. Any of these conditions require torque rod replacement.
 - The torque rod bushings for torn or shredded rubber. Any of these conditions require torque rod bushing replacement
 - The torque rod assembly for movement while applying pressure with a long pry bar to each torque rod end. If movement is detected, replace torque rod bushings and/or torque rod as required.To replace the torque rod, or the torque rod bushings, see Component Replacement Section of this publication.
6. See Air Spring Cautions and Warnings in the Important Safety Notice Section of this publication prior to deflating or inflating the suspension system.
7. Inflate the suspension by raising the height control valve lever.
8. Reconnect the height control valve linkage assembly to the height control valve lever by sliding the rubber grommet onto the stud.
9. Remove the frame supports.
10. Remove the wheel chocks.
11. Verify the vehicle is at the correct ride height. Correct as necessary. Refer to Ride Height Adjustment in the Alignment & Adjustments Section of this publication.

AIR FITTING

INSPECTION

1. If an air leak is suspected, begin by building up the air system to normal operating pressure.
2. Spray all nylon tube air fittings with a soapy water solution to detect the leak location.
3. If an air leak is located, ensure the tubing end is clean and in good condition and the end is cut square. Check to see if the tubing is binding, being pulled upon or bent.
4. Visually inspect the air fittings for signs of damage or contamination.

SHOCK ABSORBER

Hendrickson offers a long service life, premium shock absorber for use on HTB LT suspensions. If shock absorber replacement is necessary, Hendrickson recommends that any original Hendrickson shock absorbers be replaced with identical Hendrickson Genuine parts for servicing. Failure to do so will affect the suspension performance, durability, and will void the warranty.

If the shock absorber is damaged, replace as detailed in the Component Replacement Section of this publication. It is not necessary to replace shock absorbers in pairs if one shock absorber requires replacement

Inspection of the shock absorber can be performed by doing a heat test and a visual inspection.

FIGURE 6-8



HEAT TEST

1. Drive the vehicle at moderate speeds on rough road for minimum of fifteen minutes.

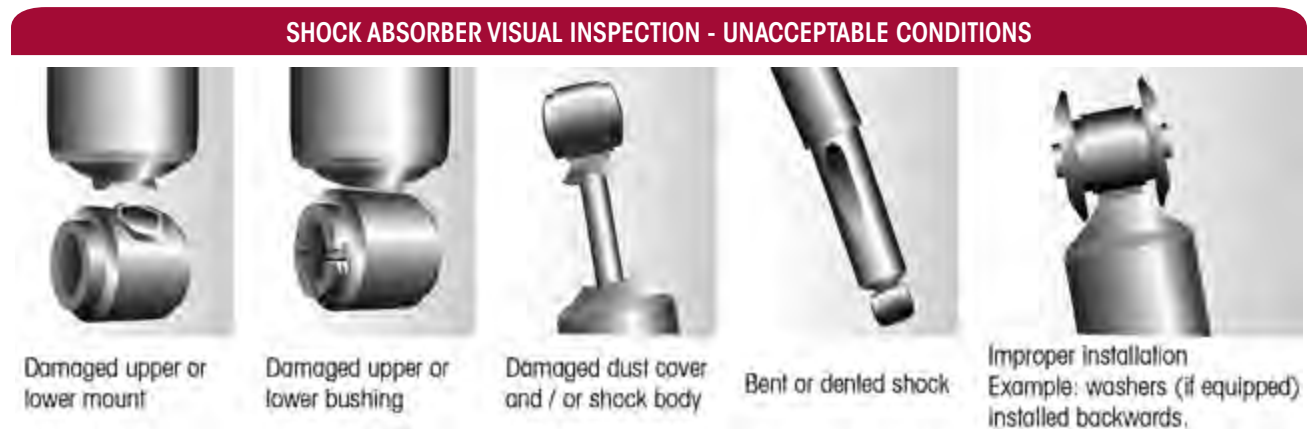
WARNING

DO NOT GRAB THE SHOCK AS IT COULD POSSIBLY CAUSE PERSONAL INJURY.

2. Use an infrared thermometer to check the temperature of the shock absorber. This can also be performed by carefully touching the shock body below the dust cover. Touch the frame to get an ambient reference, see Figure 6-8. A warm shock absorber is acceptable, a cold shock absorber should be replaced.
3. To inspect for an internal failure, remove and shake the suspected shock. Listen for the sound of metal parts rattling inside. Rattling of metal parts can indicate that the shock has an internal failure.

VISUAL INSPECTION

Look for any of the potential problems shown in Figure 6-9 when doing a visual inspection. Inspect the shock absorbers fully extended. Replace as necessary.

FIGURE 6-9

LEAKING VS. MISTING SHOCK VISUAL INSPECTION

The inspection must not be conducted after driving in wet weather or a vehicle wash. Shocks need to be free from water. Many shocks are often misdiagnosed as failures. Misting is the process whereby very small amounts of shock fluid evaporate at a high operating temperature through the upper seal of the shock, see Figure 6-10. When the "mist" reaches the cooler outside air, it condenses and forms a film on the outside of the shock body. Misting is perfectly normal and necessary function of the shock. The fluid, which evaporates through the seal area helps to lubricate and prolong the life of the seal.

A shock that is truly leaking and needs to be replaced will show signs of fluid leaking in streams from the upper seal. These streams can easily be seen when the shock is fully extended, underneath the main body (dust cover) of the shock. Look for these potential problems when doing a visual inspection. Inspect the shock absorbers fully extended. Replace as necessary.

FIGURE 6-10

NOTE

The HTB LT suspension is equipped with a premium seal on the shock, however this seal will allow for misting to appear on the shock body (misting is not a leak and is considered acceptable).

SECTION 6

Alignment & Adjustments

RIDE HEIGHT ADJUSTMENT

NOTE

The HTB LT suspension is equipped with a height control valve not supplied by Hendrickson, although it is a required component. Hendrickson is not responsible for components supplied by the vehicle manufacturer. **The following procedure is a supplement** to assist with ride height adjustment, for assistance with maintenance and service instructions on these components refer to the vehicle manufacturer.

The height control valve is located above the front, left air spring, on the inside of the left frame rail, refer to the Plumbing Diagram Section of this publication.

1. Use a work bay with a level surface.
2. Relax the suspension by slowly moving the vehicle back and forth several times in a straight line without using the brakes. This will slacken or loosen the suspension as the vehicle is positioned. End with all wheels positioned straight ahead. **DO NOT** set the parking brake.
3. Chock the front wheels of the vehicle.
4. When checking or adjusting ride height, verify and maintain the vehicle's air system is at full operating pressure.

 **WARNING**

PRIOR TO AND DURING DEFLATION AND INFLATION OF THE AIR SUSPENSION SYSTEM, ENSURE ALL PERSONNEL AND EQUIPMENT ARE CLEAR FROM UNDER THE VEHICLE AND AROUND THE SERVICE AREA, FAILURE TO DO SO CAN CAUSE SERIOUS PERSONAL INJURY, DEATH, OR PROPERTY DAMAGE.

5. See additional Air Spring Cautions and Warnings in the Important Safety Notice Section of this publication prior to deflating or inflating the suspension system.

NOTE

It is important the height control valve is cycled completely before and after any ride height adjustments. The cycling will help make the adjustment more accurate.

6. Cycle the suspension using **Method A or B**.

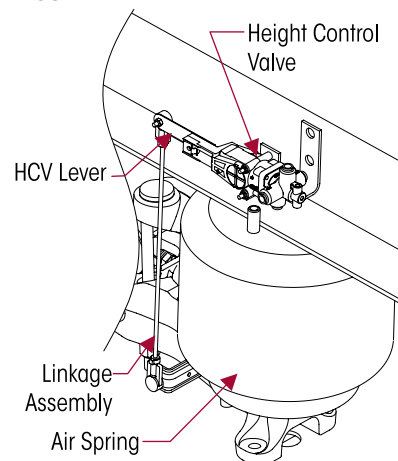
METHOD A — If equipped with a suspension dump system in the cab, cycle the suspension air system by using the cab dump valve. Completely exhaust air from the suspension system. Inflate the suspension air system and allow several minutes for the suspension to stabilize prior to measuring suspension ride height.

METHOD B — If not equipped with a suspension dump system in the cab, disconnect the height control valve linkage assembly from the height control valve lever. Lower the height control valve lever to exhaust the air in the air springs and deflate the rear suspension, see vehicle manufacturer's instructions. Reconnect the height control valve lever to the height control valve linkage assembly to inflate the suspension. Allow several minutes for the suspension to stabilize, see Figure 7-1.

7. Measure vehicle ride height using **Method C or D**.

METHOD C — Reference ride height measuring shock absorber length.

FIGURE 7-1



- a. Using a tape measure, measure the referenced vertical ride height on the front drive axle from the centerline of the upper shock mounting bolt to the centerline of the lower shock mounting bolt.
- b. The referenced ride height measurement is $18\frac{1}{2} \pm \frac{1}{8}$ " , see dimension "A" in Figure 7-2.
- c. If the ride height is not within this range the ride height will need to be corrected.

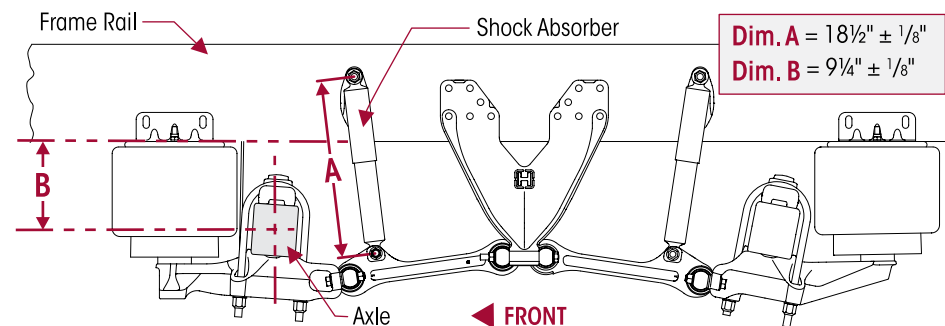
METHOD D — Design ride height

- a. Measure from the bottom of the frame rail to the axle centerline.
- b. The ride height dimension should be $9\frac{1}{4} \pm \frac{1}{8}$ " , see dimension "B" in Figure 7-2.
- c. If the ride height is not within this range the ride height will need to be corrected.

NOTE

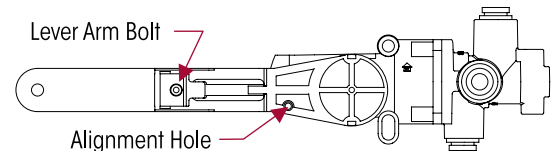
If an adjustment is required, verify and maintain the air system at full operating pressure.

FIGURE 7-2



8. See Air Spring Cautions and Warnings in the Important Safety Notice Section of this publication prior to deflating or inflating the suspension system.
9. Disconnect the height control valve linkage assembly from the height control valve lever. Lower the height control valve lever to exhaust the air in the air springs and deflate the rear suspension, see the vehicle manufacturer's instructions.
10. Refill the suspension by raising the height control valve lever by hand, so that the suspension is at the proper ride height.

FIGURE 7-3



11. To set neutral position, use a wooden centering dowel (golf tee) in the alignment hole and engage in housing slot, as shown in Figure 7-3. **DO NOT USE A METAL ROD OR NAIL AS THIS MAY CAUSE DAMAGE TO THE HEIGHT CONTROL VALVE.**
12. Loosen the lever arm bolt.
13. Pivot the lever arm as needed until the height control valve linkage can be connected.
14. Tighten the lever arm bolt on the height control valve to the vehicle manufacturer's specifications, see Figure 7-3.
15. Remove the wooden centering dowel (golf tee) from the height control valve.

NOTE

It is important the height control valve is cycled completely before and after any ride height adjustments. The cycling will help make the adjustment more accurate.

16. Cycle the suspension air system using **Method A or B** as detailed in **Step 6**.
17. Recheck the ride height.
18. Repeat **Steps 8 to 17** until the ride height is within specification.



AXLE ALIGNMENT AND ADJUSTMENTS

ALIGNMENT

Checking and correcting alignment involves performing the following steps in the sequence listed.

STEP	DESCRIPTION	COMMENTS
A	Preparing the vehicle	
B	Measuring the lateral alignment of the torque box	
C	Correcting torque box lateral alignment	(if necessary)
D	Measuring the lateral alignment of the axle	
E	Correcting lateral alignment of the axle	(if necessary)
F	Measuring axle thrust angle	
G	Correcting axle thrust angle	(if necessary)
H	Final Torque	(if adjustments were made)

STEP A. PREPARING THE VEHICLE

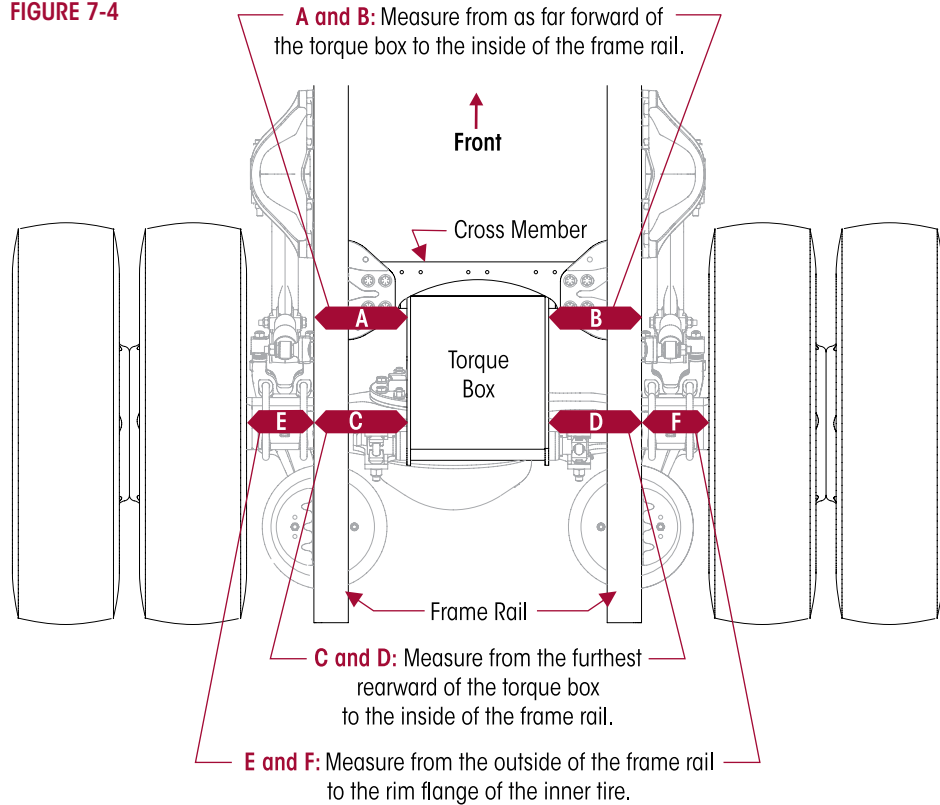
1. Use a work bay with a level surface.
2. Relax the suspension by slowly moving the vehicle back and forth several times in a straight line without using the brakes. This will slacken or loosen the suspension as the vehicle is positioned. End with all wheels positioned straight ahead.
3. **DO NOT** set the parking brake. Chock the front wheels of the vehicle.
4. Verify and maintain the air system at full operating pressure.
5. Verify the vehicle is at the correct ride height. Correct as necessary. Refer to Ride Height Adjustment in this section.
6. Verify all suspension components are in good condition. Repair or replace any worn or damaged suspension components before proceeding with the alignment process.

STEP B. MEASURING TORQUE BOX LATERAL ALIGNMENT (See Figure 7-4)

7. Measure the distance between the left front side of the torque box and the left inside frame rail **(A)**. Record the measurement.
8. Measure the distance between the right front side of the torque box and the right inside frame rail **(B)**. Record the measurement.
9. Measure the distance between the left rear side of the torque box and the left inside frame rail **(C)**. Record the measurement.
10. Measure the distance between the right rear side of the torque box and the right inside frame rail **(D)**. Record the measurement.
11. Calculate the difference between **A-B**.
12. Calculate the difference between **C-D**.
13. Calculate the difference between **A-C**.
 - a. If all the calculated differences in **Steps 11-13** are equal to or less than $\frac{1}{4}$ ", proceed to **Step D** "Measuring the Lateral Alignment of the Axle."
 - b. If any of the calculated differences in **Steps 11-13** are greater than $\frac{1}{4}$ ", this indicates the box is either offset or rotated. It will be necessary to correct the lateral alignment of the torque box. Proceed to **Step C** "Correcting Lateral Alignment of the Torque Box."
14. On a vehicle equipped with tandem drive axles, repeat **Steps 7 to 13** for the other torque box.



FIGURE 7-4



STEP C. CORRECTING TORQUE BOX LATERAL ALIGNMENT (IF NECESSARY)

NOTE

This step is only necessary if the torque box lateral alignment needs to be corrected as determined in **Step B**.

15. Support the frame at ride height.

WARNING

PRIOR TO AND DURING DEFLATION AND INFLATION OF THE AIR SUSPENSION SYSTEM, ENSURE ALL PERSONNEL AND EQUIPMENT ARE CLEAR FROM UNDER THE VEHICLE AND AROUND THE SERVICE AREA, FAILURE TO DO SO CAN CAUSE SERIOUS PERSONAL INJURY, DEATH, OR PROPERTY DAMAGE.

16. See additional Air Spring Cautions and Warnings in the Important Safety Notice Section of this publication prior to deflating or inflating the suspension system.

17. Disconnect the height control valve linkage assembly from the height control valve lever. Lower the height control valve lever to exhaust the air in the air springs and deflate the rear suspension, see vehicle manufacturer's instructions.

18. Loosen the torque box clamp bolts at all four corners of the torque box.

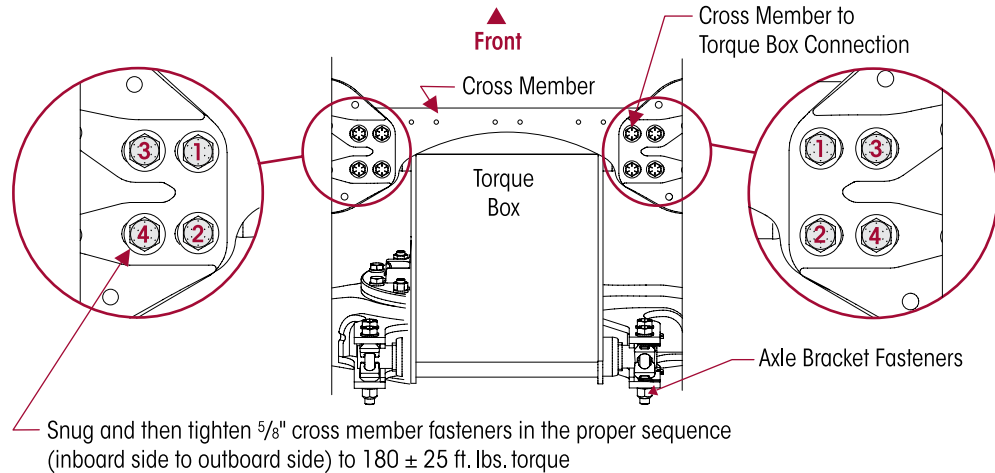
19. Using a pry bar, center the torque box in the frame rails. Measurements (**A** and **B**), (**C** and **D**) and (**A** and **C**) should be within 1/4" of each other. This will center the torque box and ensure parallelism of the torque box to the frame rails.

WARNING

IT IS IMPORTANT THAT THE TORQUE BOX CLAMP CONNECTIONS BE TIGHTENED IN THE PROPER SEQUENCE AND HAVE THE PROPER TIGHTENING TORQUE VALUES MAINTAINED. FAILURE TO DO SO CAN- RESULT IN THE DEFORMATION OF PARTS, RESULTING IN THE LOSS OF CLAMP FORCE, BOLT FAILURE, LOSS OF THE AXLE'S ALIGNMENT, LOSS OF VEHICLE CONTROL, PROPERTY DAMAGE, OR PERSONAL INJURY.

20. First snug, and then tighten the torque box to cross member clamp bolts in the proper sequence (inboard fasteners first then outboard fasteners), to prevent cross member deformation, see Figure 7-5. Tighten the locknuts to 180 ± 25 foot pounds torque.

FIGURE 7-5



21. Hand-tighten the torque box to axle bracket clamp bolts. **DO NOT** apply final tightening torque to the locknuts at this time as further adjustments may be required.
22. Verify measurements, (A and B), (C and D) and (A and C) should be within $\frac{1}{4}$ " of each other.
23. On a vehicle equipped with tandem drive axles, repeat **Steps 18 to 22** for the remaining torque box on the other axle, only if the lateral alignment of that torque box needs to be corrected as determined in **Step B**.

STEP D. MEASURING THE LATERAL ALIGNMENT OF THE AXLE (See Figure 7-4)

24. Measure the distance from the outside of the left frame rail to the rim flange of the left inner tire (E). Record the measurement.
25. Measure the distance from the outside of the right frame rail to the rim flange of the right inner tire (F). Record the measurement.
26. Calculate the difference between the two measurements (E-F).
 - (E-F $\leq \frac{1}{4}$ ") – If the difference is $\frac{1}{4}$ " or less then proceed to **Step F** "Measuring Axle Thrust Angle."
 - (E-F $\geq \frac{1}{4}$ ") – If the difference is greater than $\frac{1}{4}$ ", it will be necessary to correct the lateral alignment of the axle. Proceed to **Step E** "Correcting Lateral Alignment of the Axle".
27. On a vehicle equipped with tandem drive axles, repeat **Steps 24 to 26** for the other drive axle.

STEP E. CORRECTING LATERAL ALIGNMENT OF THE AXLE (IF NECESSARY)

NOTE This step is only necessary if the lateral alignment of the axle needs to be corrected as determined in **Step D**.

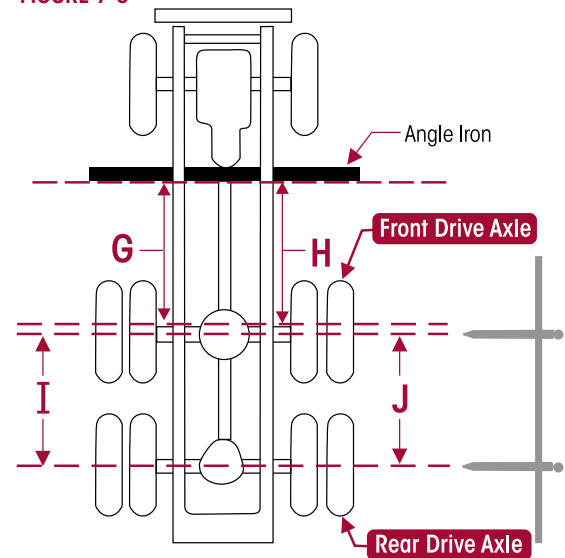
NOTE It is important to ensure the torque box is centered and parallel to the frame rails before correcting lateral alignment on an axle, refer to **Step B**.

28. Support the frame at ride height.
29. See Air Spring Cautions and Warnings in the Important Safety Notice Section of this publication prior to deflating or inflating the suspension system.
30. Disconnect the height control valve linkage assembly from the height control valve lever. Lower the height control valve lever to exhaust the air in the air springs and deflate the rear suspension, see vehicle manufacturer's instructions.
31. Using the measurements from **Step D** "Measuring the Lateral Alignment of the Axle" determine which direction the axle needs to be moved to center the axle under the vehicle.

32. Loosen the torque box to axle bracket clamp bolts. The bolts may already be loose from **Step 21**. **DO NOT** loosen the torque box to cross member bolts.
33. Move the axle in the direction required to center the axle under the vehicle. Measurements **(E)** and **(F)**, see Figure 7-4, should be within ¼" of each other.
34. Hand-tighten the torque box to axle bracket clamp fasteners. **DO NOT** final torque the bolts at this time.
35. Verify measurement **(E)** and **(F)** are within ¼" of each other.
36. On a vehicle equipped with tandem drive axles, repeat **Steps 31 to 35** for the remaining drive axle, only if the lateral alignment of that axle needs to be corrected as determined in **Step D** "Measuring the Lateral Alignment of the Axle."

STEP F. MEASURING AXLE THRUST ANGLE

FIGURE 7-6



37. If axle alignment equipment is not available, using C-clamps, securely clamp a six-foot piece of straight bar stock or angle iron across the lower frame flange as shown in Figure 7-6. Select a location as far forward of the drive axle as possible where components will not interfere.
38. Accurately square straight edge to frame using a carpenter's square.
39. Using a measuring tape, measure from the straight edge to the forward face of the front drive axle arm at the centerline of the axle top pad assembly on both sides of vehicle as shown in Figure 7-6, **(G)** and **(H)**.
 - a. If measurements **(G)** and **(H)** are within the vehicle manufacturer's specifications then the thrust alignment of the front drive axle is acceptable. Proceed to **Step 40**.
 - b. If measurements **(G)** and **(H)** are not within the vehicle manufacturer's specifications, it will be necessary to correct the front drive axle's thrust angle. Proceed to **Step G** "Correcting Axle Thrust Angle."
40. When the front drive axle is within specification, proceed to check the rear drive axle.
41. Using a trammel bar measure from spindle center to spindle center on both sides of the vehicle, see Figure 7-6, **(I)** and **(J)**.
 - a. If both sides measure within the vehicle manufacturer's specifications, alignment of the rear drive axle is acceptable.
 - b. If measurements **(I)** and **(J)** are not within the vehicle manufacturer's specifications, it will be necessary to correct the axle's thrust angle. Proceed to **Step G** "Correcting Axle Thrust Angle."

STEP G. CORRECTING AXLE THRUST ANGLE (IF NECESSARY)

NOTE

The HTB LT is a parallelogram suspension. When correcting an axle's thrust angle, the shims on both the torque box and longitudinal torque rod must be adjusted in order to maintain parallelism and drive axle pinion angles.

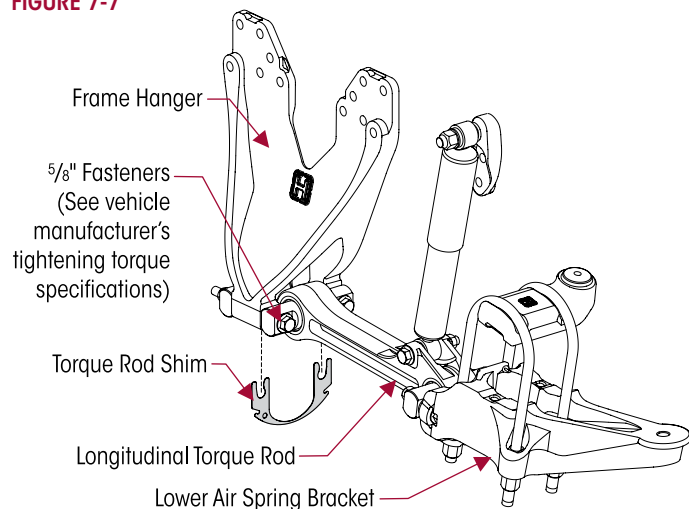
SERVICE HINT

When using a trammel bar to measure the rear axle alignment it is important to verify that the front drive axle is within specifications prior to correcting the rear drive axle thrust angle.

42. Support the frame at ride height.
43. See Air Spring Cautions and Warnings in the Important Safety Notice Section of this publication prior to deflating or inflating the suspension system.
44. Disconnect the height control valve linkage assembly from the height control valve lever. Lower the height control valve lever to exhaust the air in the air springs and deflate the rear suspension, see vehicle manufacturer's instructions.
45. Loosen the torque box to axle bracket clamp bolts. The bolts may already be loose from **Step 21**. **DO NOT** loosen the torque box to cross member bolts.
46. Remove all the axle bracket spacers from the axle bracket connection. **DO NOT** remove axle bracket bar pin clamps, it is not necessary to remove the bar pin clamps or the axle bracket connection clamp bolts to perform adjustment.
47. Loosen the longitudinal torque rod fasteners at the frame hanger connection and remove the torque rod shims.
48. Adjust the axle in the direction necessary to correct the thrust angle.

FIGURE 7-7

49. Fill any gap between the longitudinal torque rod and frame hanger with longitudinal torque rod shims, see Figure 7-7. Longitudinal torque rod shims should only be placed on one side of the axle to adjust the thrust angle. Adding longitudinal torque rod shims to both torque rods will affect the axle pinion angle.



50. Tighten the longitudinal torque rod locknuts per vehicle manufacturer's torque specifications.

WARNING

HTB SUSPENSIONS ORIGINALLY EQUIPPED ON VEHICLES BUILT AFTER OCTOBER 2007 — EACH AXLE HAS TWO (2) AXLE BRACKETS. EACH AXLE BRACKET HAS ONE (1) LEFT HAND AND ONE (1) RIGHT HAND BAR PIN CLAMPS AND TWO (2) AXLE BRACKET SPACERS. BOTH SPACERS MUST BE USED WITH THE BAR PIN CLAMPS. FAILURE TO DO SO CAN RESULT IN THE DEFORMATION OF PARTS, LOSS OF CLAMP FORCE, BOLT FAILURE, LOSS OF THE AXLE'S ALIGNMENT, LOSS OF VEHICLE CONTROL, PROPERTY DAMAGE, OR PERSONAL INJURY.

HTB SUSPENSIONS ORIGINALLY EQUIPPED ON VEHICLES BUILT PRIOR TO OCTOBER 2007 — EACH AXLE HAS ONE (1) AXLE BRACKET WITH ADJUSTABLE BAR PIN CLAMP WITH FOUR (4) AXLE BRACKET SPACERS AND ONE (1) AXLE BRACKET WITH NON-ADJUSTABLE BAR PIN CLAMPS. THE BAR PIN CLAMP PAIRS CAN BE CHANGED FROM SIDE TO SIDE BUT CAN NOT BE MIXED. ALL FOUR AXLE BRACKET SPACERS MUST BE USED WITH THE ADJUSTABLE BAR PIN CLAMPS WHICH ARE THINNER THAN THE NON-ADJUSTABLE BAR PIN CLAMPS. FAILURE TO DO SO CAN RESULT IN THE DEFORMATION OF PARTS, LOSS OF CLAMP FORCE, BOLT FAILURE, LOSS OF THE AXLE'S ALIGNMENT, LOSS OF VEHICLE CONTROL, PROPERTY DAMAGE, OR PERSONAL INJURY.

CAUTION

ENSURE THE DRAINAGE FEATURE OF THE AXLE HOUSING IS NOT OBSTRUCTED WITH DEBRIS. IF SO, CLEAR THE AREA WITH A BRUSH OR AIR HOSE. FAILURE TO DO SO MAY ALLOW THE CAVITY TO FILL WITH WATER AND SEEP INTO THE AXLE HOUSING THROUGH BREATHER HOLE SIDE.

51. Fill the gap between the axle bracket and the bar pin clamps with the axle bracket spacers removed in **Step 46**. Both axle bracket spacers must be re-installed. **DO NOT** force the axle forward or backwards to install the axle bracket spacers. The axle bracket spacers may be arranged in any order to achieve an easy fit.

EXAMPLE

The axle bracket spacer arrangement may end up being

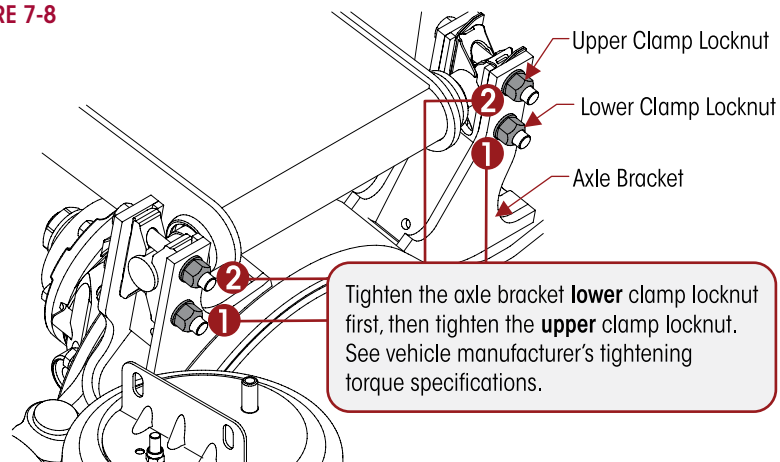
- Vehicles built **AFTER** 10/07 — one spacer in front and one behind bar pin clamps, or no spacers in front and two behind the bar pin clamps, etc.
- Vehicles built **PRIOR TO** 10/07 — three spacers in front and one behind the adjustable bar pin clamps, or no spacers in front and four behind the adjustable bar pin clamps, etc.

52. Verify measurements (**G**) and (**H**) are within the vehicle manufacturer's specifications.
53. Repeat **Steps 45 to 52** for the remaining drive axle, only if the thrust angle of that axle needs to be corrected as determined in **Step F** "Measuring Axle Thrust Angle).

STEP H. FINAL TORQUE AXLE BRACKET CLAMP BOLTS
WARNING

IT IS IMPORTANT THAT THE TORQUE BOX CLAMP CONNECTIONS BE TIGHTENED IN THE PROPER SEQUENCE AND HAVE THE PROPER TIGHTENING TORQUE VALUES MAINTAINED. FAILURE TO DO SO CAN RESULT IN THE DEFORMATION OF PARTS, RESULTING IN THE LOSS OF CLAMP FORCE, BOLT FAILURE, LOSS OF THE AXLE'S ALIGNMENT, LOSS OF VEHICLE CONTROL, PROPERTY DAMAGE, OR PERSONAL INJURY.

54. Tighten the axle bracket clamp locknuts in the proper sequence. Tighten the lower clamp locknut first, then the upper clamp locknut, see Figure 7-8. Tighten the locknuts per vehicle manufacturer's torque specifications.

FIGURE 7-8


55. See Air Spring Cautions and Warnings in the Important Safety Notice Section of this publication prior to deflating or inflating the suspension system.
56. Connect the height control lever to the height control valve linkage assembly to inflate the suspension.
57. Remove the frame supports. Verify the ride height is correct, refer Ride Height Adjustment in this section.
58. Engage the parking brake.
59. Remove the wheel chocks.

PINION ANGLE

The vehicle manufacturer establishes drive axle pinion angles(s). Contact the vehicle manufacturer for the proper drive axle pinion angle(s) for your vehicle.

1. Use a work bay with a level surface.
2. Relax the suspension by slowly moving the vehicle back and forth several times in a straight line without using the brakes. This will slacken or loosen the suspension as the vehicle is positioned. End with all wheels positioned straight ahead. Try to roll to a stop without the brakes being applied. **DO NOT** set the parking brake.
3. Chock the front wheels of the vehicle.
4. Verify and maintain the air system at full operating pressure.
5. Verify the vehicle is at the correct ride height. If the vehicle is not at the correct ride height it will be necessary to correct the ride height before proceeding.
6. Place the digital protractor on the frame rail, at the centerline of the tandem, and zero the protractor.
7. Place the digital protractor on the axle housing as shown in Figure 7-9.
8. Record the pinion angle for each drive axle. Determine if the pinion angles are within the vehicle manufacturer's specified range.
9. If drive axle pinion angle is out of specification:
 - a. Verify the correct pinion spacers are installed, see HTB LT Pinion Angle chart in the Parts List Section of this publication.
 - b. If the correct pinion spacers are installed and a correction to the drive axle pinion angle is required, it will be necessary to adjust the torque rod shims on both sides (left hand and right hand) of the axle in equal amounts. This will maintain axle alignment while correcting the pinion angle.
10. Determine which direction the axle needs to be tilted in order to achieve the correct pinion angle.
11. Add/remove shims at the longitudinal torque rod connections as required to achieve the proper pinion angle. Adjustments must be equal on both sides of the axle in order to maintain axle alignment.
12. When the pinion angle is correct tighten all fasteners to the proper torque specifications per the vehicle manufacturer and recheck the pinion angles.
13. Remove wheel chocks.

FIGURE 7-9



SECTION 7

Component Replacement

FASTENERS

Hendrickson recommends when servicing the vehicle, to replace all removed fasteners with new equivalent fasteners. Maintain correct torque values at all times. Check torque values as specified. See Hendrickson's Torque Specifications Section of this publication. If non-Hendrickson fasteners are used, follow torque specifications listed in the vehicle manufacturer's service manual.

AIR SPRING

DISASSEMBLY

1. Chock the wheels.
2. Support the frame.

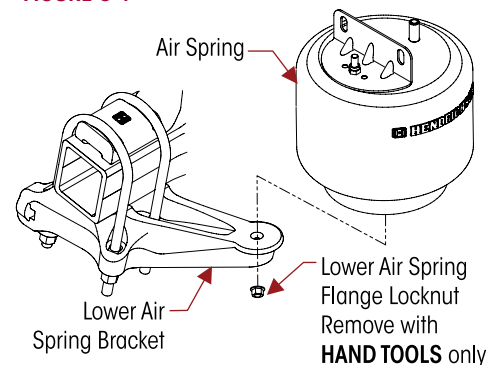
WARNING

PRIOR TO AND DURING DEFLATION AND INFLATION OF THE AIR SUSPENSION SYSTEM, ENSURE ALL PERSONNEL AND EQUIPMENT ARE CLEAR FROM UNDER THE VEHICLE AND AROUND THE SERVICE AREA, FAILURE TO DO SO CAN CAUSE SERIOUS PERSONAL INJURY, DEATH, OR PROPERTY DAMAGE.

3. See additional Air Spring Cautions and Warnings in the Important Safety Notice Section of this publication prior to deflating or inflating the suspension system.
4. Disconnect the height control valve linkage assembly from the height control valve lever. Lower the height control valve lever to exhaust the air in the air springs and deflate the rear suspension, see vehicle manufacturer's instructions.
5. Remove the air line from the air spring.

6. Lubricate the lower mounting fasteners with penetrating oil. This will help prevent the air spring mounting studs from breaking during the removal process.
7. Using hand tools only, remove the lower mounting fastener from the air spring, see Figure 8-1.
8. Remove the fasteners from the upper air spring mounting bracket to the frame rail.
9. Remove the air spring.

FIGURE 8-1



INSPECTION

1. Inspect all mounting surfaces and mounting brackets for any damage, replace as necessary.

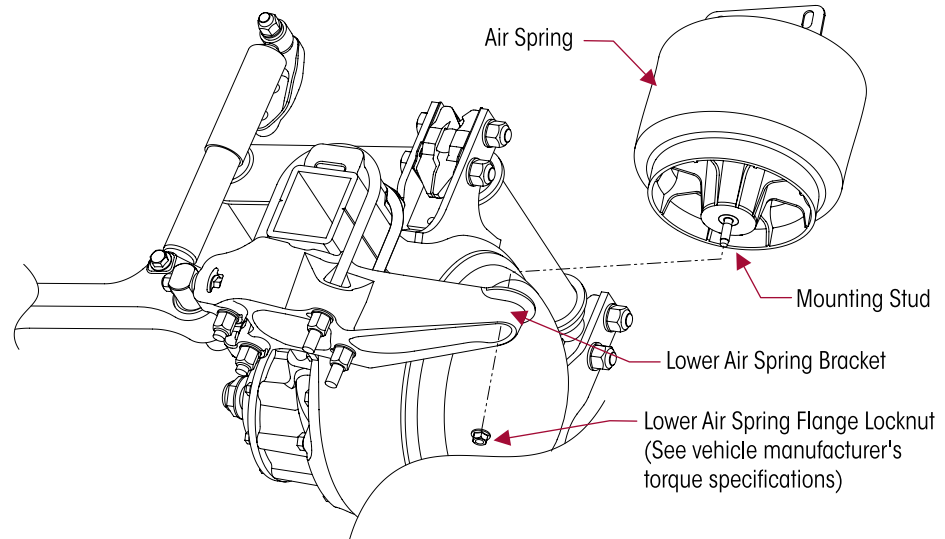
ASSEMBLY

1. Install the air spring between the frame and the lower air spring bracket, see Figure 8-2.

WARNING

FAILURE TO PRESS THE AIR SPRING AGAINST THE UNDERSIDE OF THE FRAME RAIL WHILE TIGHTENING THE UPPER AIR SPRING BRACKET CAN CAUSE COMPONENT DAMAGE AND PERSONAL INJURY OR PROPERTY DAMAGE.

FIGURE 8-2



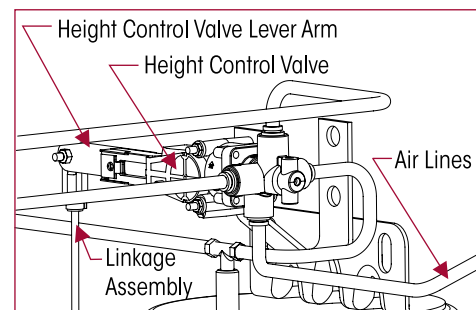
2. While holding the top of the air spring against the bottom of the frame rail, tighten the upper mounting fasteners to the frame rail. Tighten the fasteners to vehicle manufacturer's torque specifications.
3. Insert the lower mounting stud through the mounting hole in the air spring bracket, see Figure 8-2.
4. Using **HAND TOOLS**, tighten the lower air spring mounting fastener to vehicle manufacturer's specifications.
5. Reconnect the air line to the air spring.
6. See Air Spring Cautions and Warnings in the Important Safety Notice Section of this publication prior to deflating or inflating the suspension system.
7. Inflate the suspension by raising the height control valve's height control lever.
8. Connect the height control valve linkage assembly to the height control valve's height control lever by sliding the rubber grommet onto the stud.
9. Remove the frame supports.
10. Remove the wheel chocks.
11. Verify the vehicle is at the correct ride height. Correct as necessary. Refer to Ride Height Adjustment in the Alignment & Adjustments Section of this publication.

HEIGHT CONTROL VALVE AND LINKAGE ASSEMBLY

NOTE

These components are not supplied by Hendrickson. Hendrickson is not responsible for components supplied by the vehicle manufacturer. For assistance with maintenance and service instructions on these components see the vehicle manufacturer.

FIGURE 8-3



SHOCK ABSORBER

DISASSEMBLY

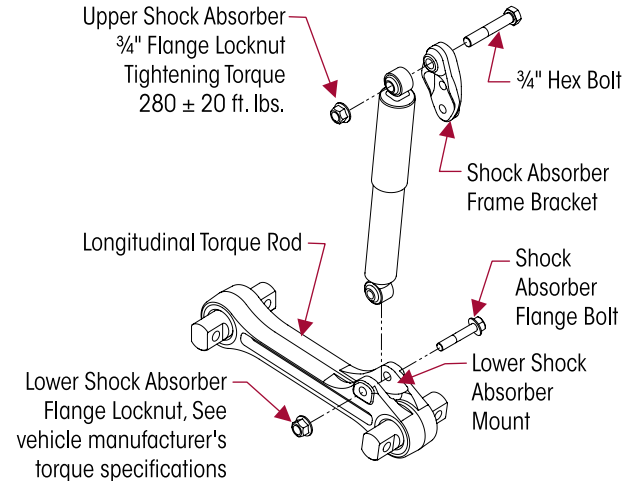
1. Chock the wheels of the vehicle.
2. Remove the fasteners from the lower shock absorber mount, see Figure 8-4.
3. Remove the flange locknut from the upper shock absorber through bolt.

4. Slide the shock absorber out of the lower mount.
5. Remove the shock absorber from the upper mounting through bolt.

ASSEMBLY

1. Install the shock absorber onto the upper mounting through bolt.
2. Install the flange locknut on the upper shock absorber mounting through bolt.
3. Install the lower shock absorber into the lower shock absorber mount on the longitudinal torque rod, see Figure 8-4.
4. Install the fasteners through the lower shock mount. Install the flange locknut on the through bolt, see Figure 8-4. Tighten the lower shock absorber locknut to vehicle manufacturer's torque specifications.
5. Tighten the upper shock absorber flange locknut to 280 ± 20 foot pounds of torque, see Figure 8-4.
6. Remove the wheel chocks.

FIGURE 8-4



LONGITUDINAL TORQUE ROD

NOTE

Longitudinal torque rod bushings are not serviceable. The entire torque rod assembly must be replaced. This feature provides superior bushing retention in the torque rod end hub.

- The new torque rod part number **77906-398** replaces previous torque rod part number **64768-398**.

DISASSEMBLY

1. Chock the wheels.
2. Support the frame at ride height.

DANGER

THE AIR SPRING TRANSFERS LOAD TO THE FRAME HANGER THROUGH THE LONGITUDINAL TORQUE ROD. PRIOR TO LONGITUDINAL TORQUE ROD REMOVAL THE SUSPENSION AIR SYSTEM MUST BE DEFLATED. FAILURE TO DO SO WILL CAUSE THE AIR SPRING TO VIOLENTLY SHIFT, RESULTING IN POSSIBLE DAMAGE TO COMPONENTS AND/OR PERSONAL INJURY.

WARNING

THIS PROCEDURE FOR SERVICING A LONGITUDINAL TORQUE ROD IS PERFORMED WITH THE TORQUE RODS ON THE OPPOSITE SIDE OF THE VEHICLE PROPERLY CONNECTED TO THE FRAME HANGER AND LOWER AIR SPRING BRACKET. FAILURE TO DO SO CAN CAUSE THE AXLES TO ROTATE AND/OR SHIFT, RESULTING IN POSSIBLE DAMAGE TO COMPONENTS AND/OR PERSONAL INJURY. IF THE TORQUE RODS ON BOTH SIDES OF THE VEHICLE ARE TO BE REMOVED IT WILL BE NECESSARY TO SUPPORT THE AXLE PINION TO KEEP THE AXLE FROM SHIFTING.

WARNING

PRIOR TO AND DURING DEFLATION AND INFLATION OF THE AIR SUSPENSION SYSTEM, ENSURE ALL PERSONNEL AND EQUIPMENT ARE CLEAR FROM UNDER THE VEHICLE AND AROUND THE SERVICE AREA, FAILURE TO DO SO CAN CAUSE SERIOUS PERSONAL INJURY, DEATH, OR PROPERTY DAMAGE.

3. See additional Air Spring Cautions and Warnings in the Important Safety Notice Section of this publication prior to deflating or inflating the suspension system.
4. Disconnect the height control valve linkage assembly from the height control valve lever. Lower the height control valve lever to exhaust the air in the air springs and deflate the rear suspension, see vehicle manufacturer's instructions.

CAUTION

FAILURE TO INSTALL THE TORQUE ROD SHIMS AND PINION SPACERS IN THE SAME ORIENTATION AND LOCATION MAY REQUIRE A VEHICLE ALIGNMENT. IMPROPER VEHICLE ALIGNMENT CAN INCREASE TIRE WEAR.

5. Prior to disassembly of the longitudinal torque rod fasteners, note the orientation and quantity of torque rod shims and pinion spacers, see Figure 8-5.

NOTE

It is required that the longitudinal torque rod shims and pinion spacer be installed in the same orientation and location as removed to preserve the existing alignment and pinion angles.

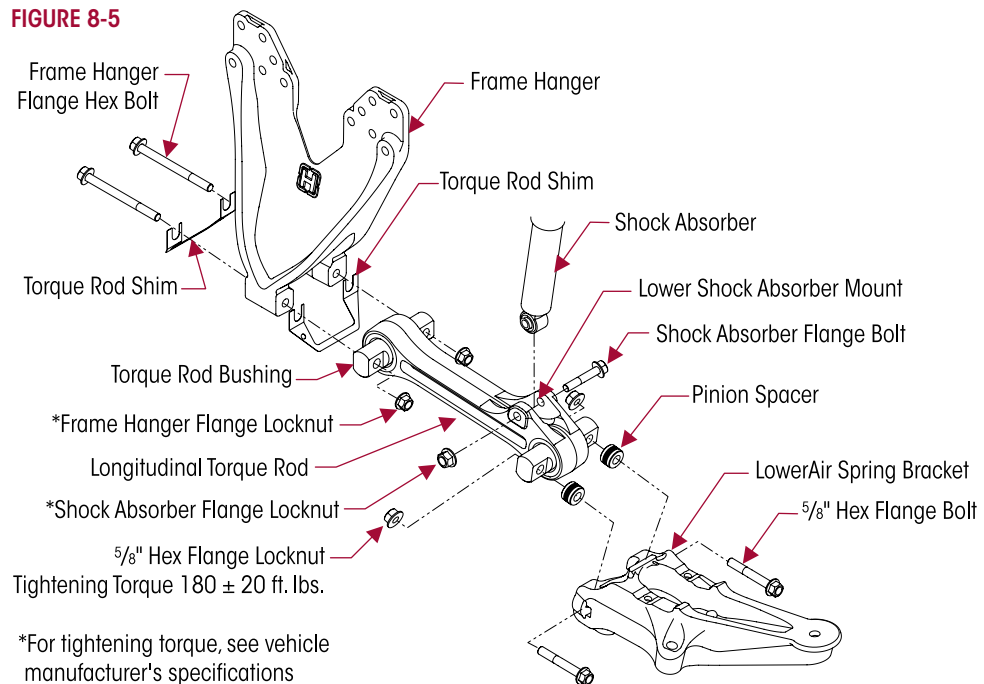
6. Remove the fasteners from the lower shock absorber mount, see Figure 8-5.
7. Slide the shock absorber out of the lower shock absorber mount.
8. Remove the flange locknuts connecting the longitudinal torque rod to the lower air spring bracket.
9. Remove the fasteners and shim(s) connecting the torque rods to the frame hanger.

SERVICE HINT

It may be necessary to pry the longitudinal torque rod down away from the frame hanger.

10. Remove the longitudinal torque rod.

FIGURE 8-5



INSPECTION

1. Inspect all mating components for damage or wear. Replace as necessary.

ASSEMBLY


1. Install the fasteners in the lower air spring bracket slots, see Figure 8-5.



2. Install any pinion spacers and shims between the longitudinal torque rod and lower air spring bracket. It is required that any longitudinal torque rod shims and pinion spacers be installed in the same orientation and location as removed to preserve the existing alignment and pinion angles.

NOTE

The longitudinal torque rod must be installed with the shock absorber mount facing upward adjacent to the lower air spring bracket, see Figure 8-5.

3. Install the longitudinal torque rod onto the lower air spring bracket.
4. Loosely install the lower air spring bracket flange locknuts.
5. Pivot the longitudinal torque rod in line with the mounting holes of the frame hanger.
6. Apply anti-seize to frame hanger bolts and install the fasteners and any torque rod shim that may have been removed from this connection.
7. Install the shock absorber into the lower shock absorber mount on the longitudinal torque rod.
8. Install the lower shock absorber fasteners.
9. Tighten frame hanger and lower shock absorber fasteners per vehicle manufacturer's torque specifications.
10. Tighten lower air spring bracket flange locknuts to  180 ± 25 foot pounds torque.
11. See Air Spring Cautions and Warnings in the Important Safety Notice Section of this publication prior to deflating or inflating the suspension system.
12. Inflate the suspension by raising the height control valve lever.
13. Reconnect the height control valve linkage assembly to the height control valve lever.
14. Remove the frame supports.
15. Remove the wheel chocks.
16. Verify the vehicle is at the correct ride height. Correct as necessary. Refer to Ride Height Adjustment in the Alignment & Adjustments Section of this publication.

TORQUE BOX**SERVICE HINT**

To access the torque box for service or removal it may be necessary to remove the fifth wheel. Follow the manufacturer's recommendations for fifth wheel removal and installation.

DISASSEMBLY

1. Chock the wheels.
2. Support the frame at ride height.

 WARNING

THE TORQUE BOX ALONG WITH THE TORQUE RODS RESTRAIN THE AXLE, PREVENTING AXLE MOVEMENT. PRIOR TO TORQUE BOX AND/OR TORQUE ROD DISASSEMBLY VERIFY THAT THE AXLE BEING SERVICED IS SUPPORTED UNDER THE PINION HOUSING/DIFFERENTIAL, SO THAT THE AXLE DOES NOT MOVE OR ROTATE. FAILURE TO DO SO CAN ALLOW THE AXLE TO ROTATE AND/OR SHIFT, CAUSING COMPONENT DAMAGE, AND/OR SEVERE PERSONAL INJURY.

3. Support the pinion housing/differential on the axle being serviced.

 WARNING

PRIOR TO AND DURING DEFLATION AND INFLATION OF THE AIR SUSPENSION SYSTEM, ENSURE ALL PERSONNEL AND EQUIPMENT ARE CLEAR FROM UNDER THE VEHICLE AND AROUND THE SERVICE AREA, FAILURE TO DO SO CAN CAUSE SERIOUS PERSONAL INJURY, DEATH, OR PROPERTY DAMAGE.

4. See additional Air Spring Cautions and Warnings in the Important Safety Notice Section of this publication prior to deflating or inflating the suspension system.

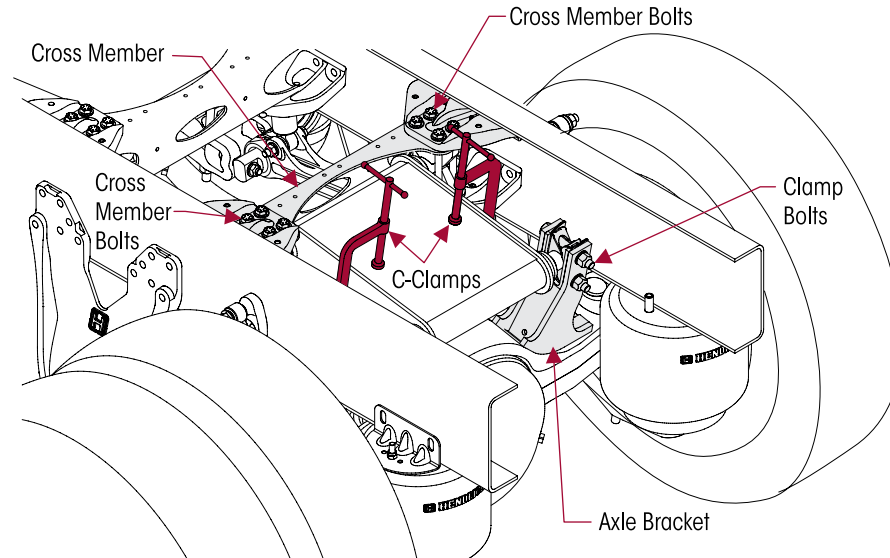
5. Disconnect the height control valve linkage assembly from the height control valve lever. Lower the height control valve lever to exhaust the air in the air springs and deflate the rear suspension, see vehicle manufacturer's instructions.

CAUTION

THE TORQUE BOX IS HEAVY, APPROXIMATELY 95 LBS. (43 KG). THE USE OF A CRANE OR LIFT IS REQUIRED FOR REMOVAL AND INSTALLATION OF THE TORQUE BOX. DO NOT ATTEMPT REMOVAL OR INSTALLATION WITHOUT THE PROPER EQUIPMENT.

6. Position the two (2) large C-clamps on the torque box as shown in Figure 8-6. Connect the C-clamps to the lifting device (crane, hoist, lift, etc.)
7. Remove the slack from the lifting device.

FIGURE 8-6



WARNING

HTB SUSPENSIONS ORIGINALLY EQUIPPED ON VEHICLES BUILT AFTER OCTOBER 2007 — EACH AXLE HAS TWO (2) AXLE BRACKETS. EACH AXLE BRACKET HAS ONE (1) LEFT HAND AND ONE (1) RIGHT HAND BAR PIN CLAMPS AND TWO (2) AXLE BRACKET SPACERS. BOTH SPACERS MUST BE USED WITH THE BAR PIN CLAMPS. FAILURE TO DO SO CAN RESULT IN THE DEFORMATION OF PARTS, LOSS OF CLAMP FORCE, BOLT FAILURE, LOSS OF THE AXLE'S ALIGNMENT, LOSS OF VEHICLE CONTROL, PROPERTY DAMAGE, OR PERSONAL INJURY.

HTB SUSPENSIONS ORIGINALLY EQUIPPED ON VEHICLES BUILT PRIOR TO OCTOBER 2007 — EACH AXLE HAS ONE (1) AXLE BRACKET WITH ADJUSTABLE BAR PIN CLAMP WITH FOUR (4) AXLE BRACKET SPACERS AND ONE (1) AXLE BRACKET WITH NON-ADJUSTABLE BAR PIN CLAMPS. THE BAR PIN CLAMP PAIRS CAN BE CHANGED FROM SIDE TO SIDE BUT CAN NOT BE MIXED. ALL FOUR AXLE BRACKET SPACERS MUST BE USED WITH THE ADJUSTABLE BAR PIN CLAMPS WHICH ARE THINNER THAN THE NON-ADJUSTABLE BAR PIN CLAMPS. FAILURE TO DO SO CAN RESULT IN THE DEFORMATION OF PARTS, LOSS OF CLAMP FORCE, BOLT FAILURE, LOSS OF THE AXLE'S ALIGNMENT, LOSS OF VEHICLE CONTROL, PROPERTY DAMAGE, OR PERSONAL INJURY.

CAUTION

ENSURE THE DRAINAGE FEATURE OF THE AXLE HOUSING IS NOT OBSTRUCTED WITH DEBRIS. IF SO, CLEAR THE AREA WITH A BRUSH OR AIR HOSE. FAILURE TO DO SO MAY ALLOW THE CAVITY TO FILL WITH WATER AND SEEP INTO THE AXLE HOUSING THROUGH BREATHER HOLE SIDE.

8. Prior to disassembly of the torque box clamp connections, note the orientation and quantity of axle bracket spacers and bar pin clamps, see Figure 8-7.

NOTE

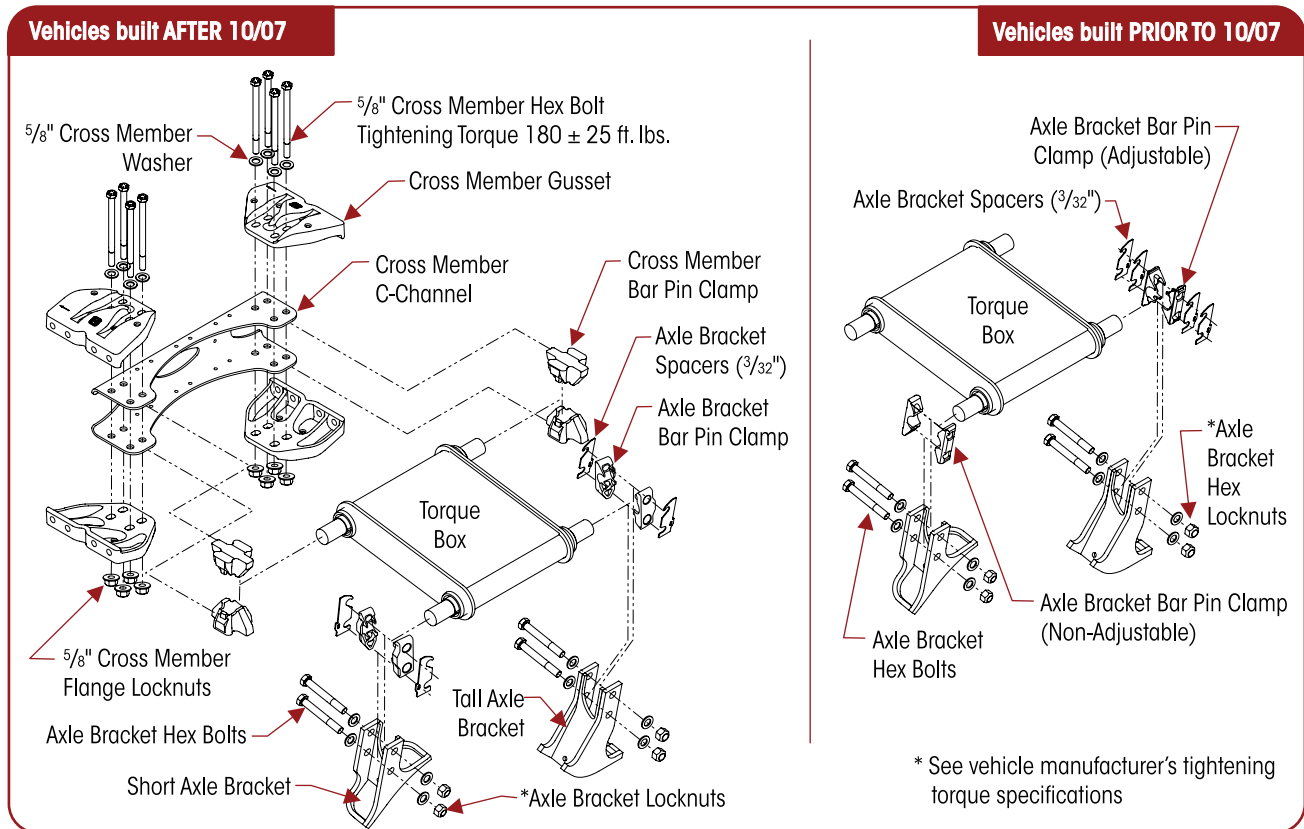
It is required that the axle bracket spacers and bar pin clamps be installed in the same orientation and location as removed to preserve the existing alignment and pinion angles.

9. Remove the torque box to axle bracket fasteners.
10. Loosen the eight (8) cross member bolts (four per side), connecting the torque box to the cross member.



11. Raise the hoist slowly. This will pivot the torque box up and out of the axle brackets. Retain the spacers and bar pin clamps from the axle brackets.
12. Remove the eight (8) previously loosened bolts from the cross member.
13. Slide the torque box out of the cross member. Retain the clamp blocks from the cross member.

FIGURE 8-7



INSPECTION

1. Inspect all mating components including torque box, torque box bushings, and bar pin clamps for cracks, damage or wear. Replace as necessary.
2. Inspect cross member C-channel, cross member gussets, and bar pin clamps for cracks, signs of damage, or wear. Replace as necessary.
3. Inspect the axle brackets and axle welds for cracks, signs of damage, or wear. Replace the axle housing as necessary. The axle housing is a non-serviceable item. Refer to Preventive Maintenance Section of this publication.

ASSEMBLY

CAUTION

THE TORQUE BOX IS HEAVY, APPROXIMATELY 95 LBS (43 KG). THE USE OF A CRANE OR LIFT IS REQUIRED FOR REMOVAL AND INSTALLATION OF THE TORQUE BOX. DO NOT ATTEMPT REMOVAL OR INSTALLATION WITHOUT THE PROPER EQUIPMENT.

1. Position the two (2) large C-clamps on the torque box as shown in Figure 8-6. Connect the C-clamps to the lifting device (crane, hoist, lift, etc.)
2. Raise the hoist slowly. Maneuver the torque box into position by first sliding the torque box bar pin into the cross-member, then into the axle brackets.
3. With the hoist still attached, slide the cross member bar pin clamps onto the torque box bar pin from the side. Loosely install the eight cross member bolts through the cross member and cross member bar pin clamps, see Figure 8-7.

⚠ WARNING

HTB SUSPENSIONS ORIGINALLY EQUIPPED ON VEHICLES BUILT AFTER OCTOBER 2007 — EACH AXLE HAS TWO (2) AXLE BRACKETS. EACH AXLE BRACKET HAS ONE (1) LEFT HAND AND ONE (1) RIGHT HAND BAR PIN CLAMPS AND TWO (2) AXLE BRACKET SPACERS. BOTH SPACERS MUST BE USED WITH THE BAR PIN CLAMPS. FAILURE TO DO SO CAN RESULT IN THE DEFORMATION OF PARTS, LOSS OF CLAMP FORCE, BOLT FAILURE, LOSS OF THE AXLE'S ALIGNMENT, LOSS OF VEHICLE CONTROL, PROPERTY DAMAGE, OR PERSONAL INJURY.

HTB SUSPENSIONS ORIGINALLY EQUIPPED ON VEHICLES BUILT PRIOR TO OCTOBER 2007 — EACH AXLE HAS ONE (1) AXLE BRACKET WITH ADJUSTABLE BAR PIN CLAMP WITH FOUR (4) AXLE BRACKET SPACERS AND ONE (1) AXLE BRACKET WITH NON-ADJUSTABLE BAR PIN CLAMPS. THE BAR PIN CLAMP PAIRS CAN BE CHANGED FROM SIDE TO SIDE BUT CAN NOT BE MIXED. ALL FOUR AXLE BRACKET SPACERS MUST BE USED WITH THE ADJUSTABLE BAR PIN CLAMPS WHICH ARE THINNER THAN THE NON-ADJUSTABLE BAR PIN CLAMPS. FAILURE TO DO SO CAN RESULT IN THE DEFORMATION OF PARTS, LOSS OF CLAMP FORCE, BOLT FAILURE, LOSS OF THE AXLE'S ALIGNMENT, LOSS OF VEHICLE CONTROL, PROPERTY DAMAGE, OR PERSONAL INJURY.

⚠ CAUTION

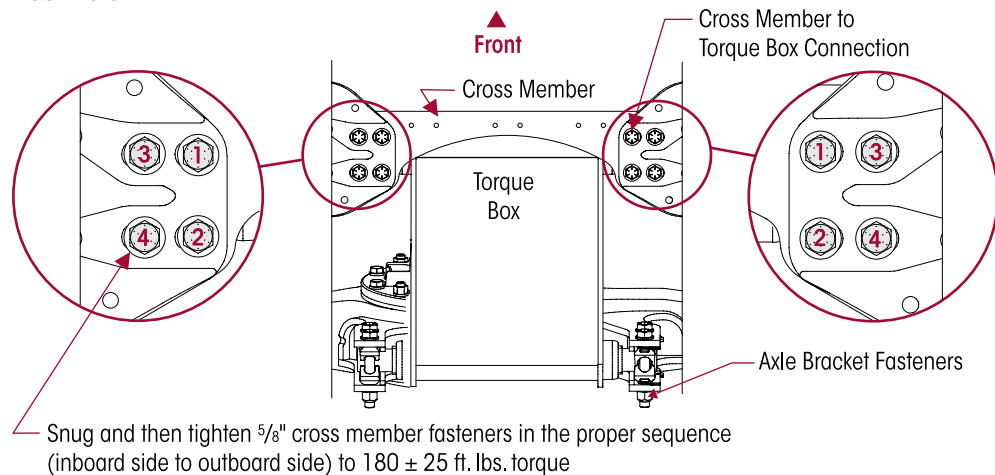
ENSURE THE DRAINAGE FEATURE OF THE AXLE HOUSING IS NOT OBSTRUCTED WITH DEBRIS. IF SO, CLEAR THE AREA WITH A BRUSH OR AIR HOSE. FAILURE TO DO SO MAY ALLOW THE CAVITY TO FILL WITH WATER AND SEEP INTO THE AXLE HOUSING THROUGH BREATHER HOLE SIDE.

4. Install the axle bracket bar pin clamps and all spacers that were removed during disassembly. Ensure all axle bracket spacers are installed in the same position as noted upon disassembly, see Figure 8-7.

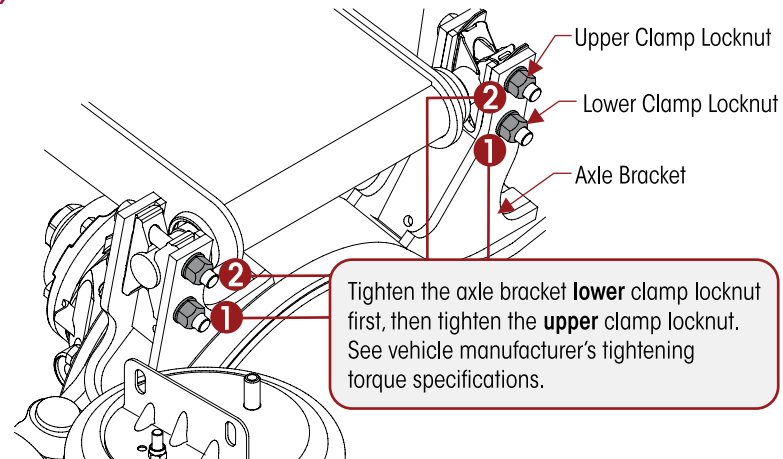
⚠ WARNING

IT IS IMPORTANT THAT THE TORQUE BOX CLAMP CONNECTIONS BE TIGHTENED IN THE PROPER SEQUENCE AND HAVE THE PROPER TIGHTENING TORQUE VALUES MAINTAINED. FAILURE TO DO SO MAY RESULT IN THE DEFORMATION OF PARTS, RESULTING IN THE LOSS OF CLAMP FORCE, BOLT FAILURE, LOSS OF THE AXLE'S ALIGNMENT, LOSS OF VEHICLE CONTROL, PROPERTY DAMAGE, OR PERSONAL INJURY.

FIGURE 8-8



5. Center the torque box within the frame rails. See Axle Alignment, **Step B** in the Alignment & Adjustments Section in this publication.
6. First snug, and then tighten the torque box to cross member clamp bolts in the proper sequence (inboard fasteners first then outboard fasteners), to prevent cross member deformation, see Figure 8-8. Tighten the bolt head to 180 ± 25 foot pounds torque.
7. Tighten the axle bracket clamp locknuts in the proper sequence. Tighten the lower clamp locknut first, then the upper clamp locknut, see Figure 8-9. Tighten the locknuts per vehicle manufacturer's torque specifications.
8. See Air Spring Cautions and Warnings in the Important Safety Notice Section of this publication prior to deflating or inflating the suspension system.

FIGURE 8-9


9. Connect the height control lever to the height control valve linkage assembly to inflate the suspension per vehicle manufacturer's instructions.
10. Remove the frame and the axle housing/differential supports.
11. Verify proper ride height adjustment, see Ride Height Adjustment in the Alignment & Adjustments Section of this publication. Correct as necessary.
12. Verify proper alignment of the axle. Refer to Alignment & Adjustments Section of this publication. Correct as necessary.
13. Remove the wheel chocks.

CLAMP GROUP (Top Pad, Lower Air Spring Bracket, U-bolts)

WARNING

IT IS IMPORTANT THAT THE U-BOLT CLAMP GROUP CONNECTION BE PROPERLY ALIGNED AND HAVE THE PROPER TIGHTENING TORQUE VALUES MAINTAINED. METAL SURFACES CAN WORK AND WEAR AGAINST OTHER RELATED CLAMP GROUP COMPONENTS IF NOT PROPERLY ALIGNED OR PROPERLY TIGHTENED TO MAINTAIN THE PROPER CLAMP FORCE. FAILURE TO DO SO CAN CAUSE PREMATURE COMPONENT WEAR, POSSIBLE SEPARATION OF THE CLAMP GROUP, CAUSING LOSS OF VEHICLE CONTROL, PROPERTY DAMAGE, OR PERSONAL INJURY.

WARNING

THIS PROCEDURE TO SERVICE THE CLAMP GROUP IS PERFORMED WITH THE CLAMP GROUP, FRAME HANGER, AND TORQUE RODS ON THE OPPOSITE SIDE OF THE VEHICLE PROPERLY CONNECTED. FAILURE TO DO SO COULD ALLOW THE AXLES TO SHIFT RESULTING IN POSSIBLE DAMAGE TO COMPONENTS AND/OR PERSONAL INJURY. IF COMPONENTS ON BOTH SIDES OF THE VEHICLE ARE TO BE REMOVED IT WILL BE NECESSARY TO SUPPORT THE AXLE AND AXLE PINION TO KEEP THE AXLE FROM SHIFTING.

DISASSEMBLY

1. Chock the wheels.
2. Support the frame at ride height.

WARNING

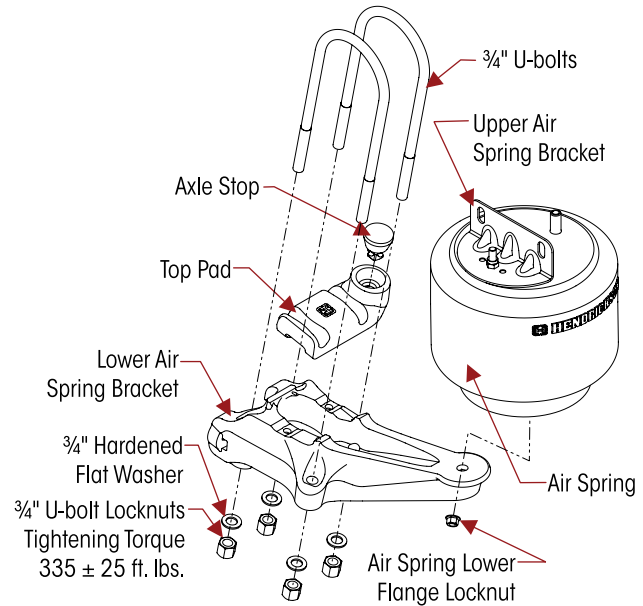
PRIOR TO AND DURING DEFLATION AND INFLATION OF THE AIR SUSPENSION SYSTEM, ENSURE ALL PERSONNEL AND EQUIPMENT ARE CLEAR FROM UNDER THE VEHICLE AND AROUND THE SERVICE AREA, FAILURE TO DO SO CAN CAUSE SERIOUS PERSONAL INJURY, DEATH, OR PROPERTY DAMAGE.

3. See additional Air Spring Cautions and Warnings in the Important Safety Notice Section of this publication prior to deflating or inflating the suspension system.
4. Disconnect the height control valve linkage assembly from the height control valve lever. Lower the height control valve lever to exhaust the air in the air springs and deflate the rear suspension, see the vehicle manufacturer's instructions.
5. Remove the air line from the air spring.

6. Lubricate the lower mounting fasteners with penetrating oil. This will help prevent the air spring mounting studs from breaking during the removal process.

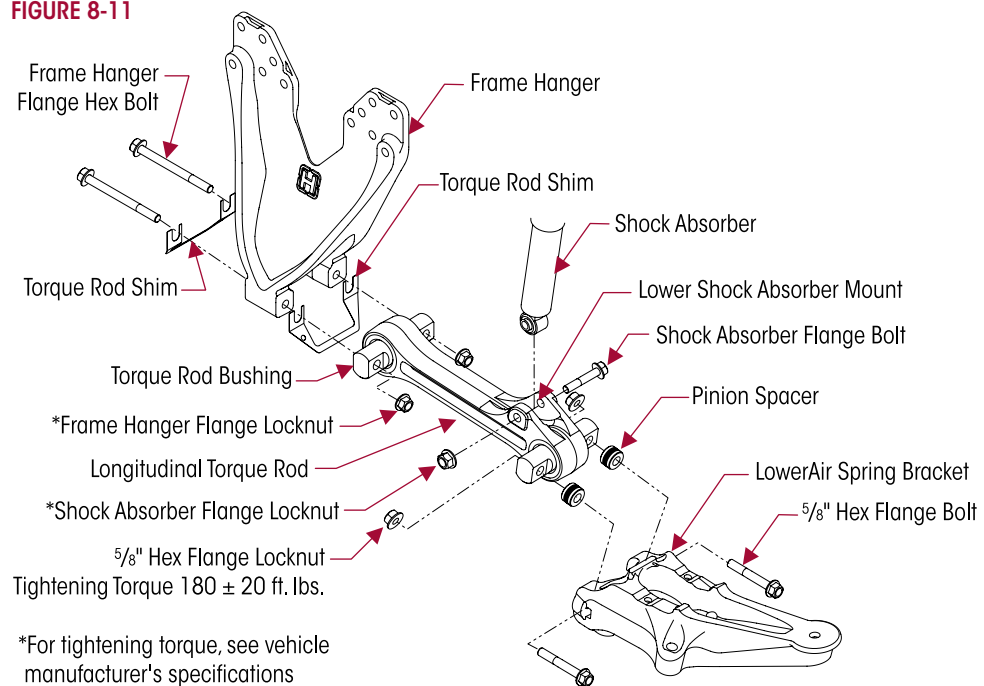
FIGURE 8-10

7. Using **HAND TOOLS ONLY**, remove the lower mounting fastener from the air spring.
8. Remove the fasteners from the upper air spring bracket to the frame rail, see Figure 8-10.
9. Remove the air spring.
10. Prior to disassembly of the longitudinal torque rod fasteners, note the orientation and quantity of torque rod shims and pinion spacers, see Figure 8-11. It is required that the longitudinal torque rod shims and pinion spacer be installed in the same orientation and location as removed to preserve the existing alignment and pinion angles.



11. Remove and discard fasteners connecting the longitudinal torque rod to the lower air spring bracket.

FIGURE 8-11



12. Remove and discard the four U-bolt fasteners.
13. Pry the longitudinal torque rod down and remove the lower air spring bracket.
14. Remove the U-bolts and top pad.

INSPECTION

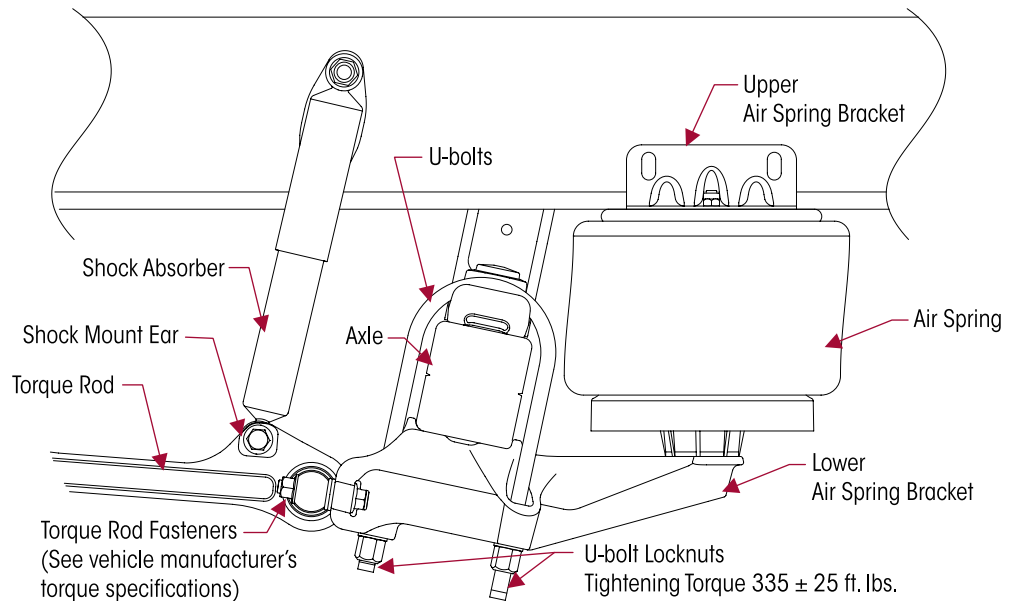
1. Inspect the air spring bracket, top pad, rubber axle stop, longitudinal torque rod for cracks, damage, or excessive wear. Replace as necessary. Refer to Preventive Maintenance Section of this publication.

ASSEMBLY

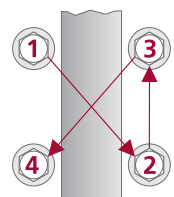
1. Install the two longitudinal torque rod flange bolts in the slots of the lower air spring bracket, see Figure 8-11.
2. Install any pinion spacers and shims between the longitudinal torque rod and air spring bracket. It is required that any longitudinal torque rod shims and pinion spacers be installed in the same orientation and location as removed to preserve the existing alignment and pinion angles.
3. Install the longitudinal torque rod bar pin onto the flange bolts. Loosely install the flange locknuts on the longitudinal torque rod bolts.

NOTE

Verify the longitudinal torque rod is installed correctly. The lower shock mount on the longitudinal torque rod should be facing up, adjacent to the lower air spring bracket, see Figure 8-12.

FIGURE 8-12


4. Loosely install the fasteners on the longitudinal torque rod bolts.
5. Install the top pad on top of the axle housing. Verify the axle stop is on the inboard side. Ensure that the top pad has engaged the dowel pin on the axle housing.
6. Install new U-bolts over the top pad and through the lower air spring bracket. Verify U-bolts sit in the channels of the top pad.
7. Install hardened flat washers and locknut on U-bolts.
8. Snug U-bolt locknuts evenly. Verify the lower air spring bracket is seated properly against the axle housing.
9. Tighten the U-bolt locknuts evenly in 50 foot pounds increments to 335 ± 25 foot pounds torque in the proper pattern to achieve uniform bolt tension, see Figure 8-13.
10. Tighten the longitudinal torque rod fasteners to 180 ± 25 foot pounds torque.

FIGURE 8-13


WARNING

FAILURE TO PRESS THE AIR SPRING AGAINST THE UNDERSIDE OF THE FRAME WHILE TIGHTENING THE UPPER AIR SPRING BRACKET CAN RESULT IN COMPONENT DAMAGE AND PERSONAL INJURY OR PROPERTY DAMAGE.

11. Insert the upper air spring fasteners through the upper air spring bracket and the frame rail. Be sure the top plate of the air spring maintains contact with the lower flange of the frame rail while tightening the fasteners. Tighten the fasteners per the vehicle manufacturer's torque specifications.
12. Insert lower air spring mounting stud through the lower air spring bracket. Install the flange locknut. Using **HAND TOOLS ONLY**, tighten the locknut to vehicle manufacturer's torque specifications.
13. Connect the air line to the air spring.
14. See Air Spring Cautions and Warnings in the Important Safety Notice Section of this publication prior to deflating or inflating the suspension system.
15. Connect the height control lever to the height control valve linkage assembly to inflate the suspension.
16. Remove the frame supports.
17. Verify ride height is correct. Refer to the Alignment & Adjustments Section of this publication.
18. Remove the wheel chocks.

AXLE STOP

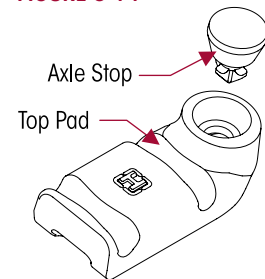
The axle stops are rubber plugs installed in the top pad assembly. They may be renewed without disassembly of the suspension.

DISASSEMBLY

1. Chock the wheels.
2. Insert a small pry bar between the top pad and the axle stop. Pry axle stop up and out of the top pad.

ASSEMBLY

1. Lubricate the new axle stop with a vegetable-based oil. **DO NOT** use a petroleum-based oil, as this will cause deterioration of the rubber.
2. Place axle stop over the mounting hole in the top pad, see Figure 8-14.
3. Using a rubber mallet, lightly tap the axle stop to seat it in the top pad.
4. Remove the wheel chocks.

FIGURE 8-14

DANGER

THE AIR SPRING TRANSFERS LOAD TO THE FRAME HANGER THROUGH THE LONGITUDINAL TORQUE ROD. PRIOR TO LONGITUDINAL TORQUE ROD REMOVAL THE SUSPENSION AIR SYSTEM MUST BE DEFLATED. FAILURE TO DO SO WILL CAUSE THE AIR SPRING TO VIOLENTLY SHIFT, RESULTING IN POSSIBLE DAMAGE TO COMPONENTS AND/OR PERSONAL INJURY.

WARNING

THIS PROCEDURE TO SERVICE THE FRAME HANGER IS PERFORMED WITH THE CLAMP GROUP, FRAME HANGER, AND TORQUE RODS ON THE OPPOSITE SIDE OF THE VEHICLE PROPERLY CONNECTED. FAILURE TO DO SO COULD ALLOW THE AXLES TO SHIFT RESULTING IN POSSIBLE DAMAGE TO COMPONENTS AND/OR PERSONAL INJURY. IF COMPONENTS ON BOTH SIDES OF THE VEHICLE ARE TO BE REMOVED IT WILL BE NECESSARY TO SUPPORT THE AXLE AND AXLE PINION TO KEEP THE AXLE FROM SHIFTING.



DISASSEMBLY

1. Chock the wheels.
2. Support the frame.

WARNING

PRIOR TO AND DURING DEFLATION AND INFLATION OF THE AIR SUSPENSION SYSTEM, ENSURE ALL PERSONNEL AND EQUIPMENT ARE CLEAR FROM UNDER THE VEHICLE AND AROUND THE SERVICE AREA, FAILURE TO DO SO CAN CAUSE SERIOUS PERSONAL INJURY, DEATH, OR PROPERTY DAMAGE.

3. See additional Air Spring Cautions and Warnings in the Important Safety Notice Section of this publication prior to deflating or inflating the suspension system.
4. Disconnect the height control valve linkage assembly from the height control valve lever. Lower the height control valve lever to exhaust the air in the air springs and deflate the rear suspension, see vehicle manufacturer's instructions.
5. Prior to disassembly of the longitudinal torque rod fasteners, note the orientation and quantity of torque rod shims and pinion spacers, see Figure 8-15.

NOTE

It is required that the longitudinal torque rod shims and pinion spacer be installed in the same orientation and location as removed to preserve the existing alignment and pinion angles.

6. Remove the fasteners securing the longitudinal torque rod to the frame hanger.
7. Remove the fasteners securing the frame hanger to the frame rail.
8. Remove the frame hanger by sliding it up and out from between the torque rods.

SERVICE HINT

The axles may have to be spread apart to remove the frame hanger. The use of a pry bar may be required.

INSPECTION

1. Inspect the frame hanger, frame rail, longitudinal torque rods and cross member gussets for any signs of excessive wear, cracking or damage. Refer to Preventive Maintenance Section of this publication. Replace as necessary.

ASSEMBLY

SERVICE HINT

The axles may have to be spread apart to install the frame hanger. The use of a pry bar may be required.

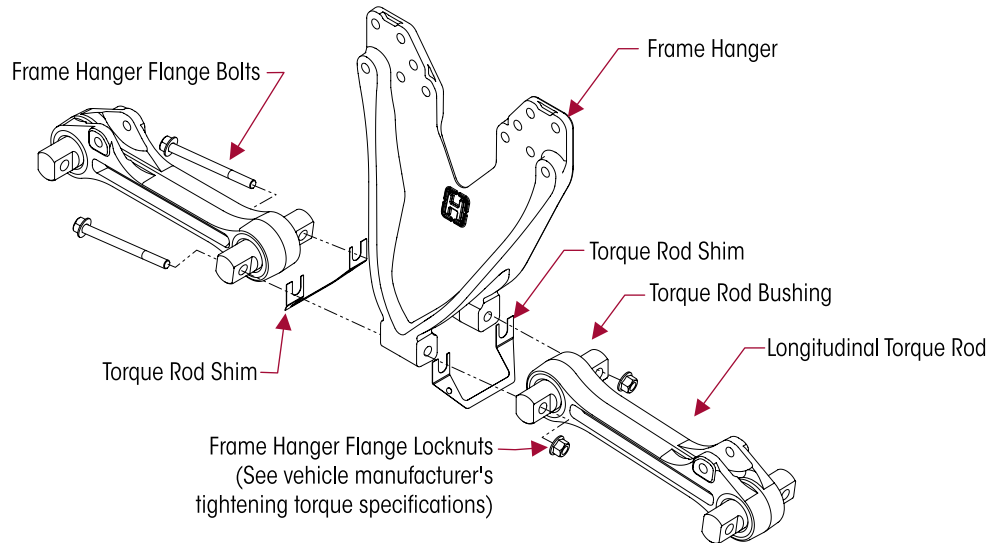
1. Slide the frame hanger down between the longitudinal torque rods and position the frame hanger against the frame rail.

NOTE

There are several different length fasteners used to connect the frame hanger to the frame rail. Verify the proper fastener length is used in the proper location. Refer to the vehicle manufacturer's specifications.

2. Loosely install the fasteners through the frame hanger, frame rail, and cross member gussets.
3. Apply anti-seize to frame hanger bolts.
4. Install the longitudinal torque rod bolts through the longitudinal torque rod bar pin holes, alignment shims, and frame hanger. Verify the alignment shims are reinstalled in the same position as noted upon disassembly, see Figure 8-15. Loosely install the flange locknuts on the longitudinal torque rod bolts.

FIGURE 8-15



5. Tighten the frame hanger to longitudinal torque rod fasteners per vehicle manufacturer's torque specifications.
6. See Air Spring Cautions and Warnings in the Important Safety Notice Section of this publication prior to deflating or inflating the suspension system.
7. Connect the height control lever to the height control valve linkage assembly to inflate the suspension.
8. Remove the frame supports.
9. Verify proper ride height adjustment, see Ride Height Adjustment in the Alignment & Adjustments Section of this publication. Correct as necessary.
10. Verify proper alignment of the axle. See Alignment in the Alignment & Adjustments Section of this publication. Correct as necessary.
11. Remove the wheel chocks.

CROSS MEMBER

SERVICE HINT

To access the torque box for service or removal it may be necessary to remove the fifth wheel. Follow the manufacturer's recommendations for fifth wheel removal and installation.

DISASSEMBLY

1. Chock the wheels.
2. Support the frame at ride height.

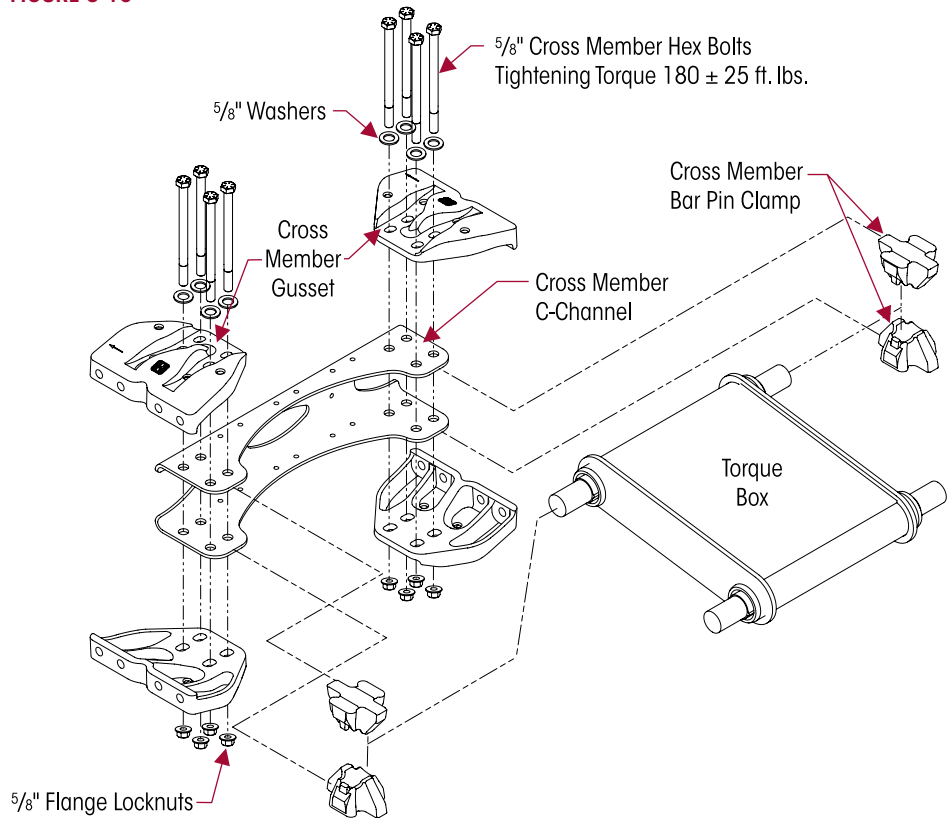
WARNING

PRIOR TO AND DURING DEFLATION AND INFLATION OF THE AIR SUSPENSION SYSTEM, ENSURE ALL PERSONNEL AND EQUIPMENT ARE CLEAR FROM UNDER THE VEHICLE AND AROUND THE SERVICE AREA, FAILURE TO DO SO CAN CAUSE SERIOUS PERSONAL INJURY, DEATH, OR PROPERTY DAMAGE.

3. See additional Air Spring Cautions and Warnings in the Important Safety Notice Section of this publication prior to deflating or inflating the suspension system.
4. Disconnect the height control valve linkage assembly from the height control valve lever. Lower the height control valve lever to exhaust the air in the air springs and deflate the rear suspension, see vehicle manufacturer's instructions.
5. Support the axles and axle housing/differential so axles will not shift/rotate during service.
6. Remove the vertical fasteners which connect the torque box to the cross member, see Figure 8-16.



FIGURE 8-16



7. Remove the torque box clamp blocks.
8. Remove the cross member C-channel.
9. Remove the fasteners securing the frame hangers and cross member gussets to the frame rails.
10. Remove the cross member gussets, see Figure 8-16.

INSPECTION

1. Inspect the cross member C-channel and gussets, frame rails, and frame hanger for signs of excessive wear, cracking or damage. Replace as necessary. Refer to Preventive Maintenance Section of this publication.

ASSEMBLY

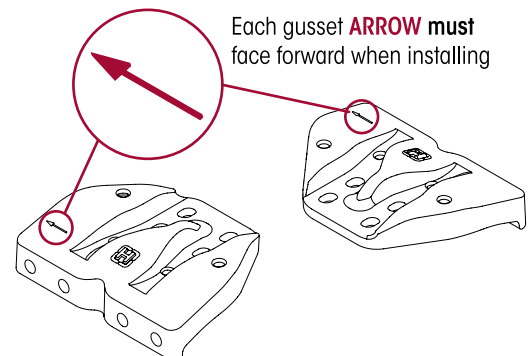


THE CORRECT GUSSET MUST BE INSTALLED IN THE PROPER POSITION AND ORIENTATION. EACH GUSSET HAS AN ARROW THAT MUST BE FACING FORWARD WHEN INSTALLED, SEE FIGURE 8-17.

NOTE

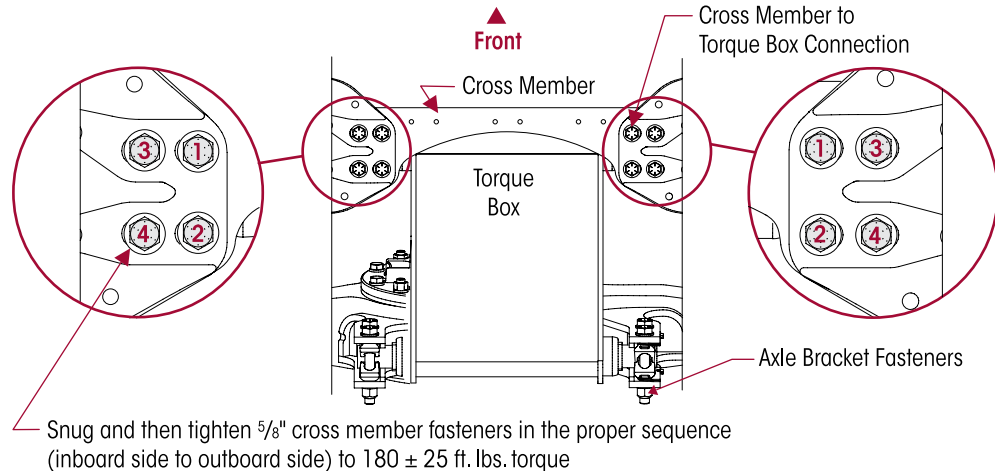
There are several different length fasteners used to connect the frame hanger to the frame rail. Verify the proper fastener length is used in the proper location. Refer to the vehicle manufacturer's specifications.

FIGURE 8-17



1. Position the cross member gussets and frame hangers against the frame rail. Verify the correct cross member gusset is installed in the correct position and the arrow on each cross member gusset is facing forward. Loosely install the proper length fasteners through gussets, frame rail, and frame hangers.
2. Position the C-channel of the cross member between the cross member gussets.
3. Install the torque box clamp blocks onto the torque box bar pin shaft.
4. Install the vertical clamp bolts through the cross member C-channel. Ensure the torque box clamp blocks are between the vertical clamp bolts.
5. Tighten the frame hanger fasteners per vehicle manufacturer's torque specifications.

FIGURE 8-18



WARNING

IT IS IMPORTANT THAT THE TORQUE BOX CLAMP CONNECTIONS BE TIGHTENED IN THE PROPER SEQUENCE AND HAVE THE PROPER TIGHTENING TORQUE VALUES MAINTAINED. FAILURE TO DO SO MAY RESULT IN THE DEFORMATION OF PARTS, RESULTING IN THE LOSS OF CLAMP FORCE, BOLT FAILURE, LOSS OF THE AXLE'S ALIGNMENT, LOSS OF VEHICLE CONTROL, PROPERTY DAMAGE, OR PERSONAL INJURY.

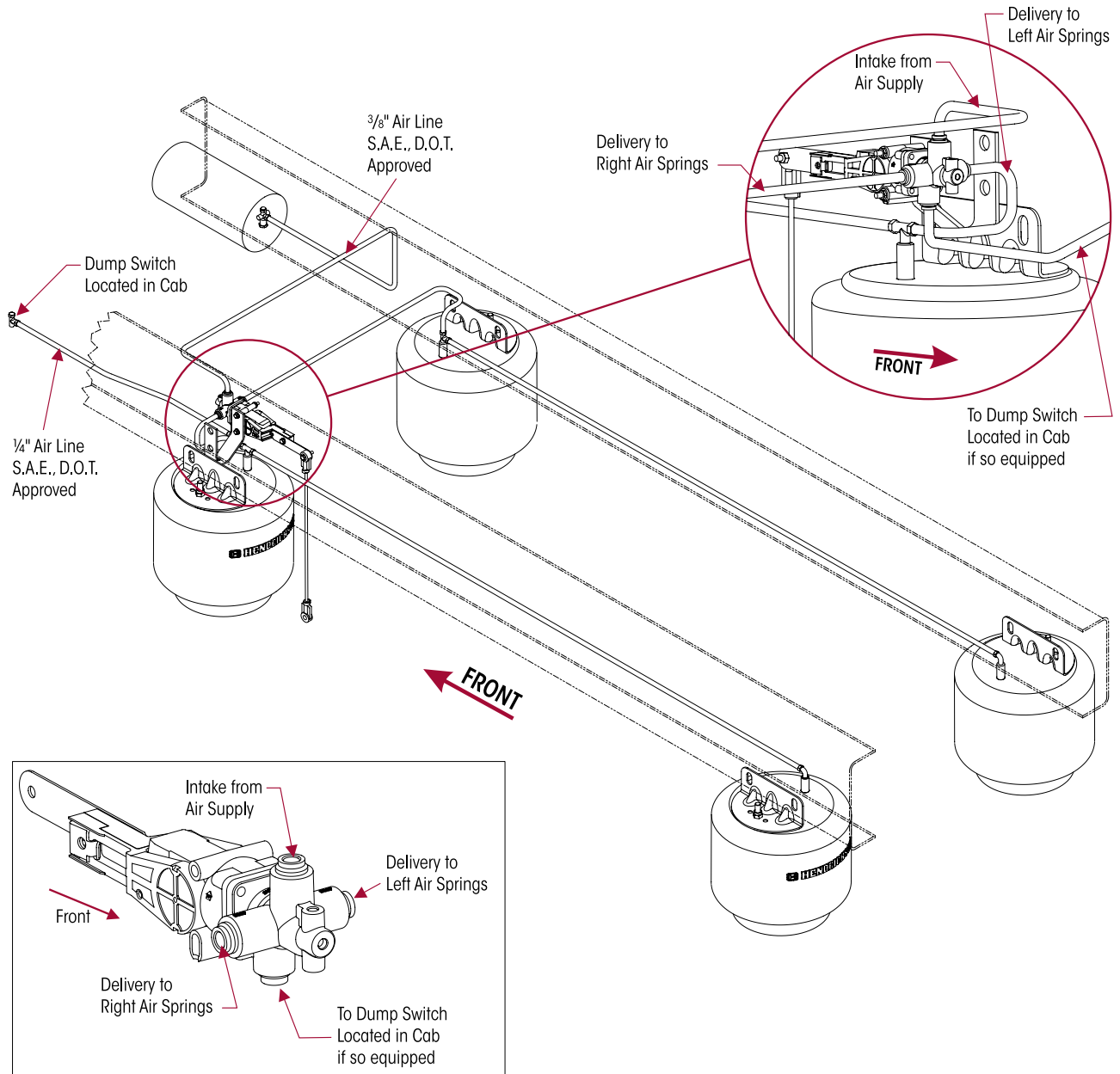
6. First snug, and then tighten the torque box to cross member clamp bolts in the proper sequence (inboard fasteners first then outboard fasteners), to prevent cross member deformation, see Figure 8-18. Tighten the locknuts to 180 ± 25 foot pounds torque.
7. See Air Spring Cautions and Warnings in the Important Safety Notice Section of this publication prior to deflating or inflating the suspension system.
8. Connect the height control lever to the height control valve linkage assembly to inflate the suspension per the vehicle manufacturer's instructions.
9. Remove the frame and the axle housing/differential supports.
10. Verify proper ride height adjustment, see Ride Height Adjustment in the Alignment & Adjustments Section of this publication. Correct as necessary.
11. Verify proper alignment of the axle. Refer to Alignment & Adjustments Section of this publication. Correct as necessary.
12. Remove the wheel chocks.



SECTION 8 Plumbing Diagram

NOTE

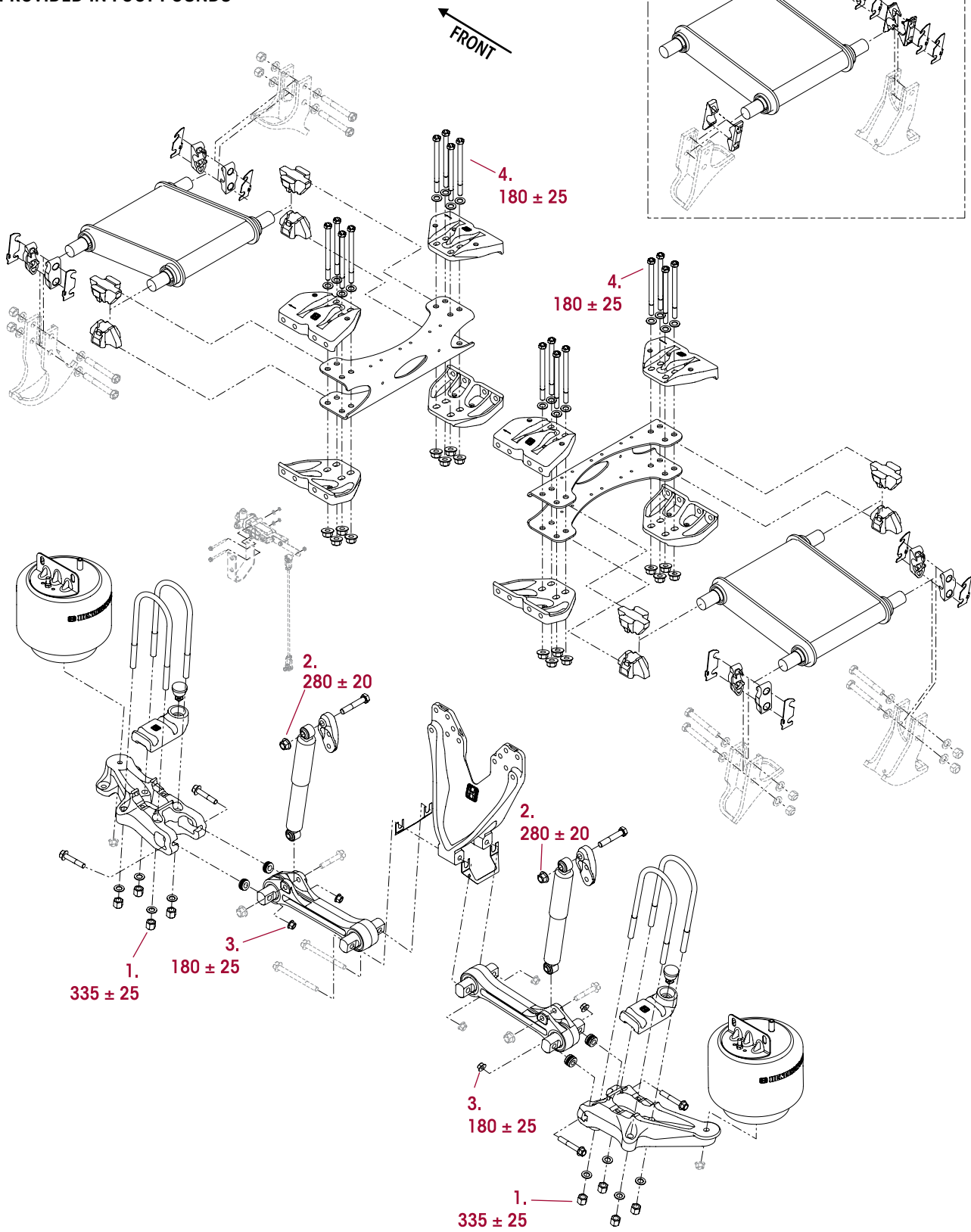
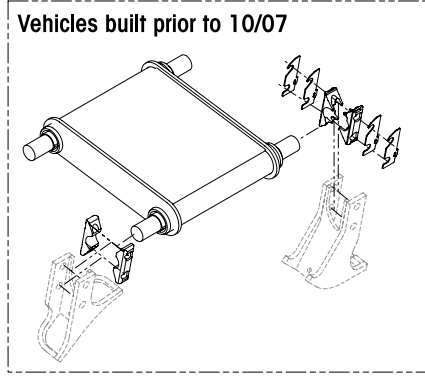
The height control valve is not supplied by Hendrickson, although it is a required component. Hendrickson is not responsible for components supplied by the vehicle manufacturer. For assistance with maintenance and service instructions on these components see the vehicle manufacturer.



SECTION 9 Torque Specifications

40K CAPACITY

HENDRICKSON RECOMMENDED TORQUE VALUES
PROVIDED IN FOOT POUNDS





HTB® LT for International Truck Vehicles				
HENDRICKSON RECOMMENDED TORQUE SPECIFICATIONS				
NO.	COMPONENT	FASTENER		*TORQUE VALUE in foot pounds
		QUANTITY	**SIZE	
1	U-bolt to Front and Rear Axle	8	¾"-16 UNF U-bolt Locknut	335 ± 25
2	Shock Absorber to Shock Absorber Frame Bracket	4	¾"-10 UNC Flange Locknut	280 ± 20
3	Torque Rod to Lower Air Spring Bracket	8	5/8"-11 UNC Flange Locknut	180 ± 25
4	Torque Box to Cross Member C-Channel	16	5/8"-11 UNC Locknut	180 ± 25
<p>NOTE: * Torque values listed above apply only if Hendrickson supplied fasteners are used. If non Hendrickson fasteners are used, follow torque specification listed in vehicle manufacturer's service manual.</p> <p>** Torque calculations based on specific fasteners, using alternate fasteners may alter torque values. See vehicle manufacturer for more information.</p>				



SECTION 10 Troubleshooting Guide

HTB LT TROUBLESHOOTING GUIDE		
CONDITION	POSSIBLE CAUSE	CORRECTION
Suspension has harsh or bumpy ride	Air spring not inflated to specification or damaged	Repair air system and check ride height. Height control valve supplied by vehicle manufacturer. Refer to the vehicle manufacturer for proper ride height setting, repair and replacement.
	Ride height set incorrectly	Adjust ride height to proper setting. Height control valve supplied by vehicle manufacturer. Refer to the vehicle manufacturer for proper ride height setting, repair and replacement.
	Suspension is overloaded	Redistribute load to correct weight.
Irregular tire wear	Incorrect tire inflation pressure	Correct tire pressure per vehicle manufacturer and tire manufacturer specifications.
	Axle Alignment	Check vehicle alignment. Adjust if necessary. See Alignment & Adjustments Section of this publication.
	Worn torque box bushings	Replace torque box as necessary.
	Worn torque rod bushings	Replace torque rod as necessary.
Excessive driveline vibration	Incorrect pinion angle(s)	Adjust pinion angle(s), refer to the vehicle manufacturer for specifications.
	Incorrect installation of Cross Member Gussets	Correct the installation, see Cross Member in the Component Replacement Section of this publication.
	Ride height set incorrectly	Adjust ride height to proper setting. Height control valve supplied by vehicle manufacturer. Refer to the vehicle manufacturer for proper ride height setting, repair and replacement.
	Air spring not inflated to specification or damaged	Repair air system and check ride height. Refer to the vehicle manufacturer for proper ride height setting, repair and replacement.
Suspension is noisy	Broken shock or loose shock	Check fasteners for proper torque requirements and inspect for damage. Refer to the Preventive Maintenance Section of this publication. Replace as necessary.
	Loose U-bolts	Tighten U-bolts to specifications, see Preventive Maintenance Section of this publication.
	Worn torque rod bushings	Replace torque rod as necessary.
Vehicle bouncing excessively	Damaged or leaking shock absorber	Replace shock absorber.
	Ride height set incorrectly	Adjust ride height to proper setting. Height control valve supplied by vehicle manufacturer. Refer to the vehicle manufacturer for proper ride height setting, repair and replacement.
Vehicle leaning	Incorrect tire inflation pressure	Correct tire pressure per vehicle manufacturer and tire manufacturer specifications.
	Load not centered	Redistribute the load.
	Frame twisted	Straighten the frame per vehicle manufacturer guidelines.
	Axle housing bent or broken	Replace axle housing per vehicle manufacturer guidelines and align vehicle.
	Loose U-bolts	Tighten U-bolts to specifications, see Torque Specification Section of this publication.
	Front suspension	Inspect and repair front suspension.

www.hendrickson-intl.com



Truck Commercial Vehicle Systems
800 South Frontage Road
Woodridge, IL 60517-4904 USA

1.866.755.5968 (Toll-free U.S. and Canada)
1.630.910.2800 (Outside U.S. and Canada)
Fax 1.630.910.2899