

Asia Pacific Region Only



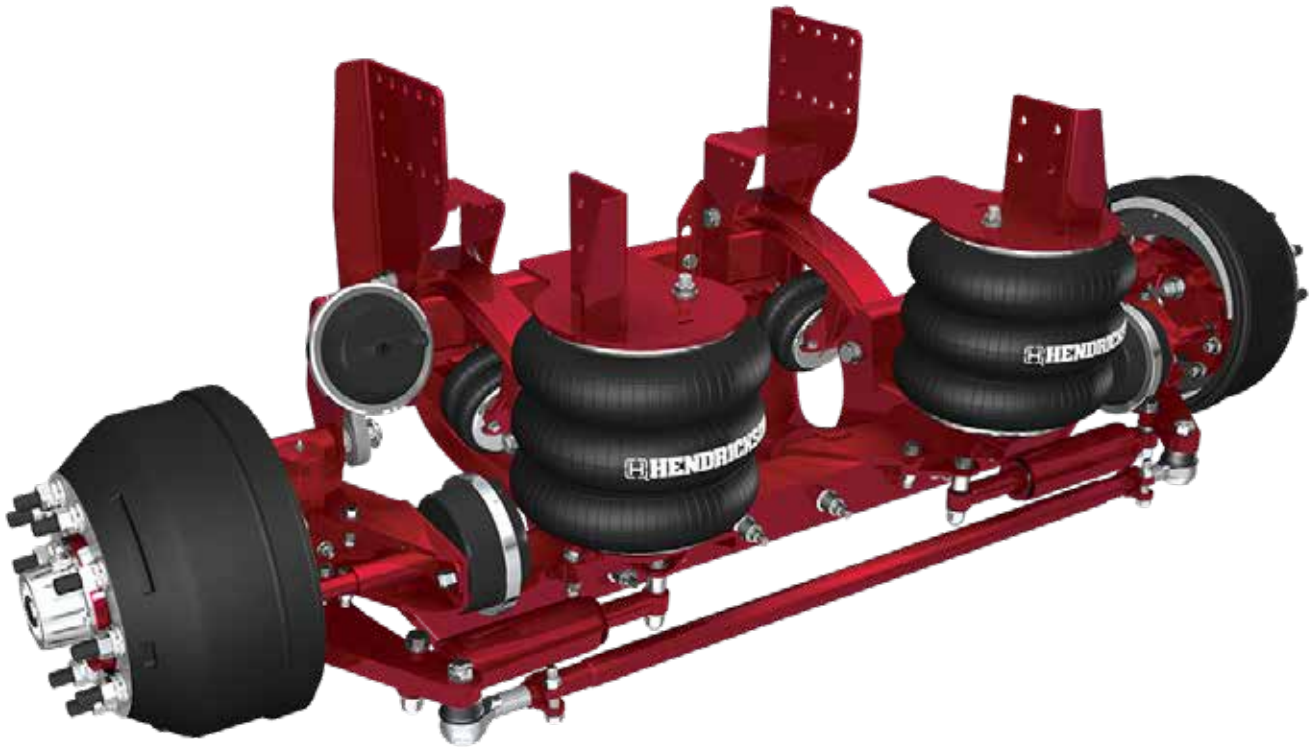
PARTS LIST

COMPOSILITE™ EXS20 DRUM BRAKE STEERABLE LIFT AXLE

LIT NO: 97114-146

DATE: November 2024

REVISION: B





INTRODUCTION

Hendrickson COMPOSILITE™ EXS is the innovative, next generation of steerable lift-axle suspension systems engineered with a number of technological advancements. Inset lower beams optimise lateral stiffness and eliminate the need for V-rods. Zero-torsion rubber bushes provide increased service life. The patented STEERTEK™ axle technology increases structural durability and incorporates bolt-on axle seats for easier serviceability and re-configuration.

This parts list is designed for EXS20 suspensions supplied by Hendrickson Asia Pacific.

NOTE: All quantities listed within this parts list are as applicable for a single axle.

TABLE OF CONTENTS

INTRODUCTION	2
ABBREVIATIONS	2
FRAME HANGER & PIVOT	3
BRAKES	4
WHEEL END	6
SHOCK ABSORBERS	7
SPINDLE, KINGPIN & TIE ROD	8
LOCK STRAIGHT	10
AIR SPRINGS & SEATS	12
AIR CONTROLS	15
REVISIONS TABLE	16

ABBREVIATIONS

Abbreviations used in this document may include the following terms:

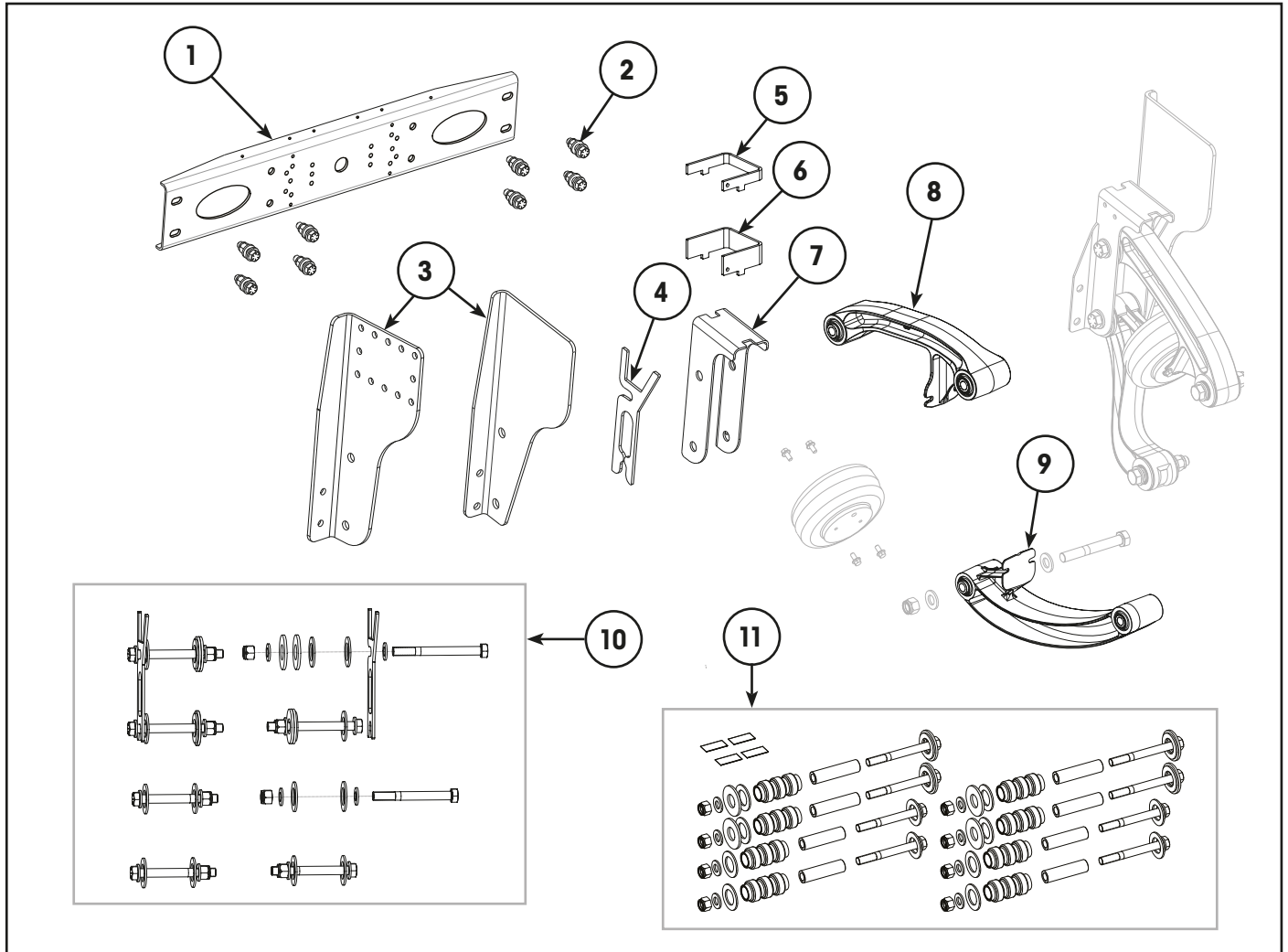
- AR – As Required
- NSS – Not Serviced Separately
- PCD – Pitch Circle Diameter

Document Interactivity

The interactive **Table of Contents** allows users to quickly navigate to the appropriate page with a single mouse click. The **INDEX** button at the bottom of each page returns you to the **Table of Contents**. Other links within the document are identified by black underlined text, whereas links to external websites are identified by blue underlined text.



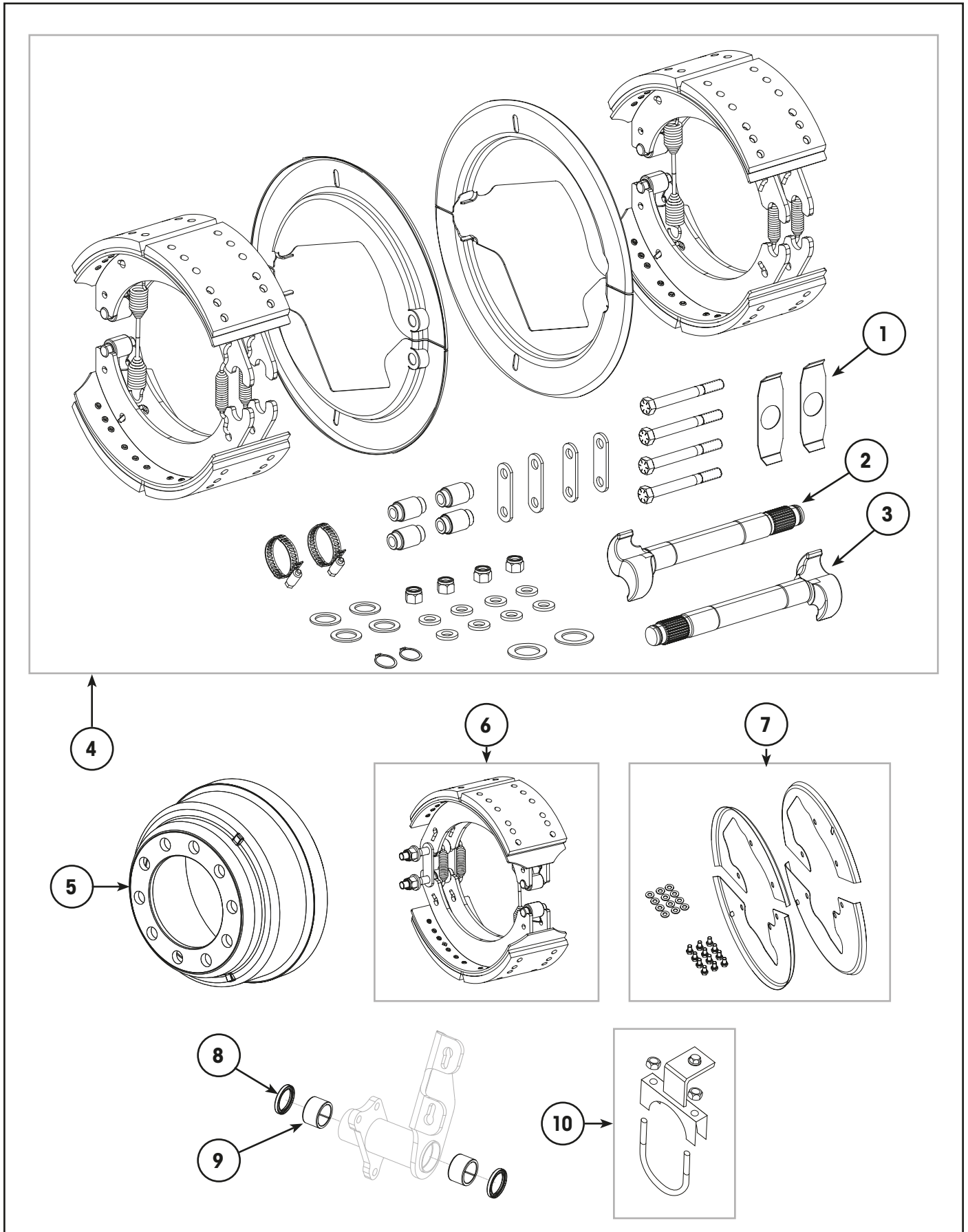
FRAME HANGER & PIVOT



Item	Part Number	Description	Qty	Notes
1	019014-01	Crossmember, EXS20 Adjustable	1	33.5" to 34.5".
2	018440-0100	Kit, Crossmember Hardware	1	
3	018487-0101	Side Rail – Left Hand Standard Pattern	1	50mm horizontal & 65mm vertical hole spacing.
	018487-0102	Side Rail – Right Hand Standard Pattern	1	
	017559-0101	Side Rail – Left Hand Blank Aftermarket	1	Without chassis mounting holes.
	017559-0102	Side Rail – Right Hand Blank Aftermarket	1	
4	008299	K Spacer – 1/4"	AR	Optional.
5	008154-1	Spacer, Saddle Ride Height – 1"	2	Optional.
6	008154-2	Spacer Saddle Ride Height – 2"	2	Optional.
7	018142-0101	Saddle, EXS20 – Left Hand	1	
	018142-0102	Saddle, EXS20 – Right Hand	1	
8	018219-01	Beam, Upper-	2	Includes bushes and 3" & 3.5" tubes.
9	018049-01	Beam, Lower – Left Hand	1	Includes bushes and 3" & 3.5" tubes.
	018049-02	Beam, Lower – Right Hand	1	
10	018442-0400	Kit, Pivot Hardware	1	Includes bolts, nuts, washers, wear pads & spacers.
11	020676-0400	Kit, Pivot Bush & Spacer – EXS20k Adjustable	1	Includes bushes, tubes, lubricant & hardware kit, item 10.



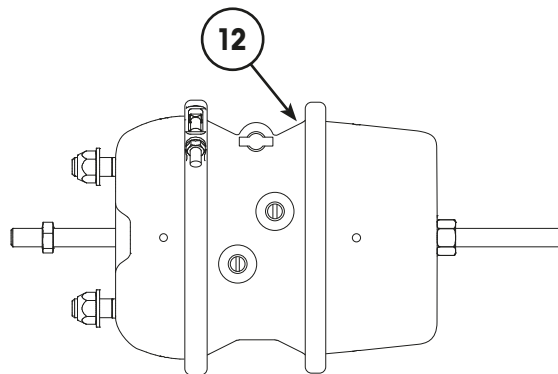
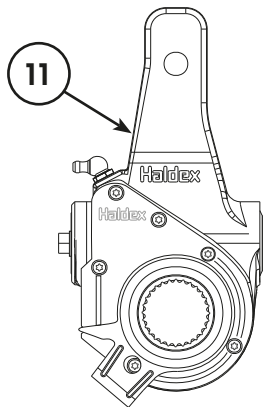
BRAKES





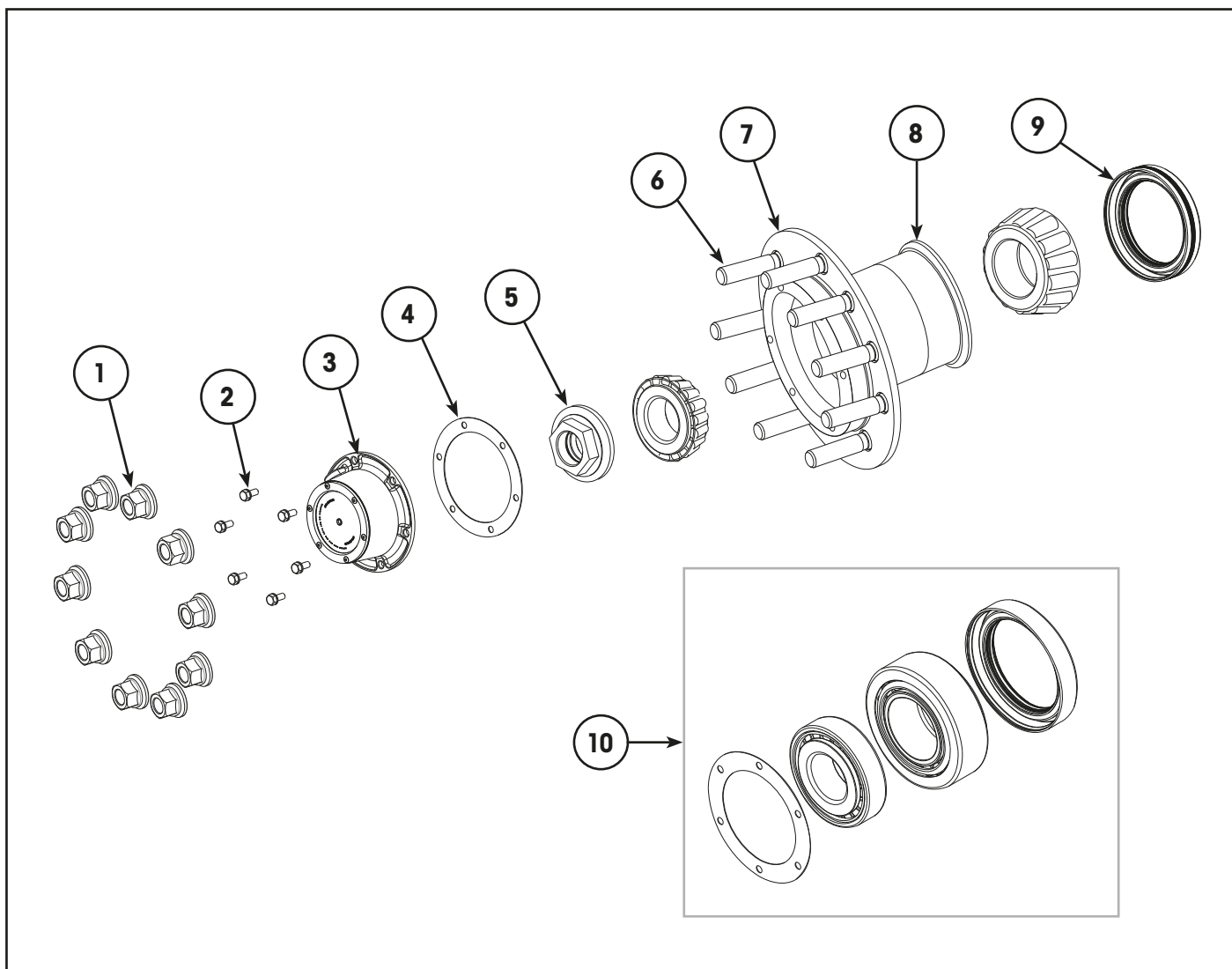
BRAKES

Item	Part Number	Description	Qty	Notes
1	007184	Washer, S-Cam	2	Included in complete kit, item 4.
2	006703-1L	S-Cam Left Hand	1	Included in complete kit, item 4.
3	006703-1R	S-Cam Right Hand	1	Included in complete kit, item 4.
4	018443-1700	Kit, Brake, 16.5 x 6, WW301 with Dust Shield & S-Cam	1	
5	015692-00	Brake Drum, 16.5" x 6" – Cast 10 x 285	2	
6	010997-B	Shoes, Springs and Hardware	2	
7	010244	Dust Shield Kit	1	Includes both dust shields & hardware.
8	005217	S-Cam Seal	4	
9	005216	S-Cam Bush	4	
10	A-14582	Bracket, Brake Adjuster Anchor	2	
11	001760	Brake Adjuster, 5.5 Inch	2	
12	009500T302414A	Brake Chamber, Type 24/30, 3.0 in. Stroke	2	





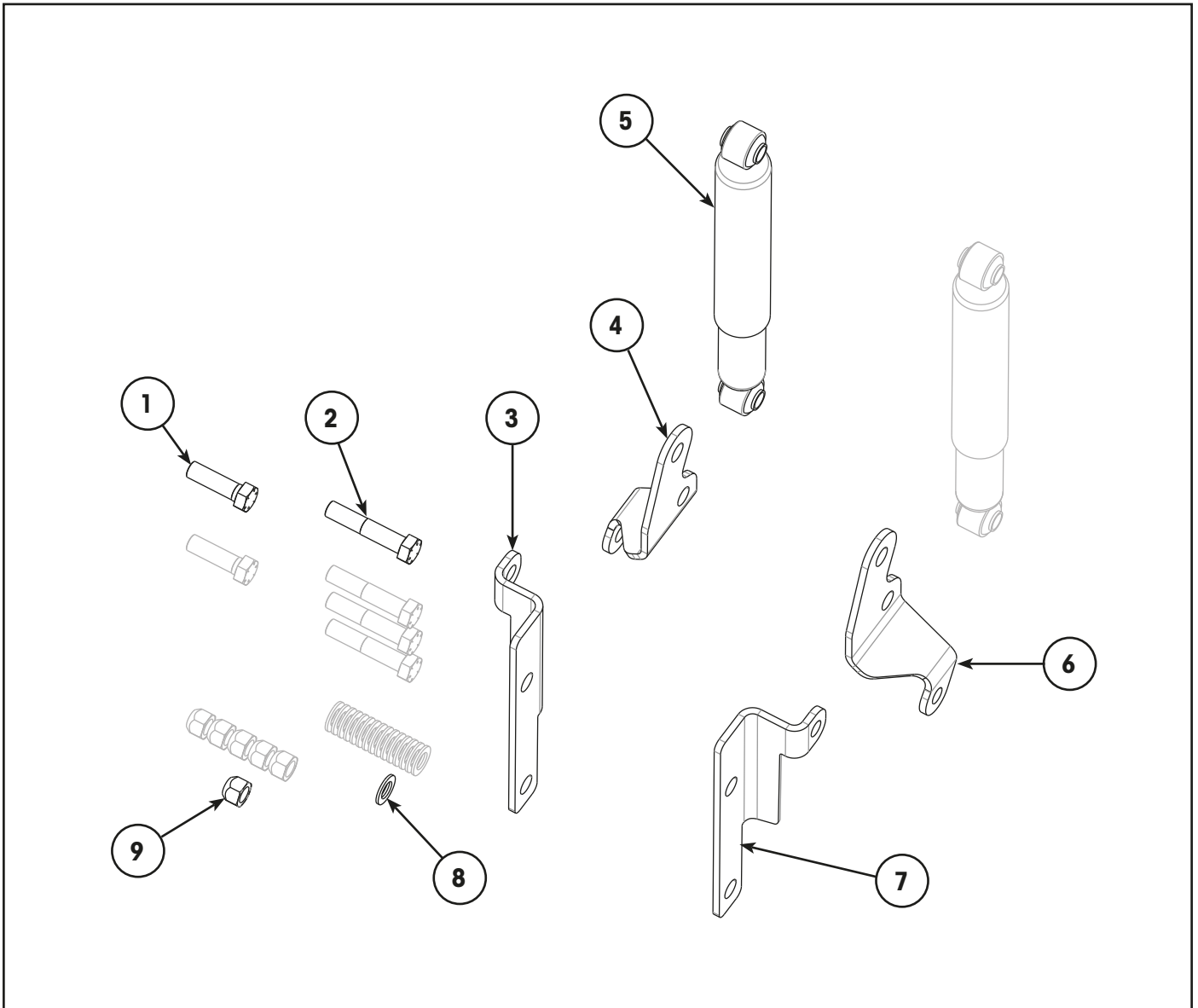
WHEEL END



Item	Part Number	Description	Qty	Notes
1	A-24695	Nut, Wheel	20	
2	018000-0100	Kit, Hubcap Fastener	2	
3	015293-04	Hub Cap	2	
4	015297-02	Gasket, Hub Cap	2	Included in bearing service kit, item 10.
5	005142	Kit, Spindle Nut	2	
6	98900-030	Wheel Stud, M22 x 1.5 – 4.25" (108mm) Stud Length	20	
7	015707-00	Hub Assembly, 11.25" (285) PCD 10 Stud	2	Includes studs and bearing cups.
8	98814-031	ABS Tone Ring	2	
9	015390-03	Seal, Hub Spindle	2	Included in bearing service kit, item 10.
10	98800-040	Kit, FL Bearing Service	2	Includes cups, cones, seal & gasket. To service one wheel end.



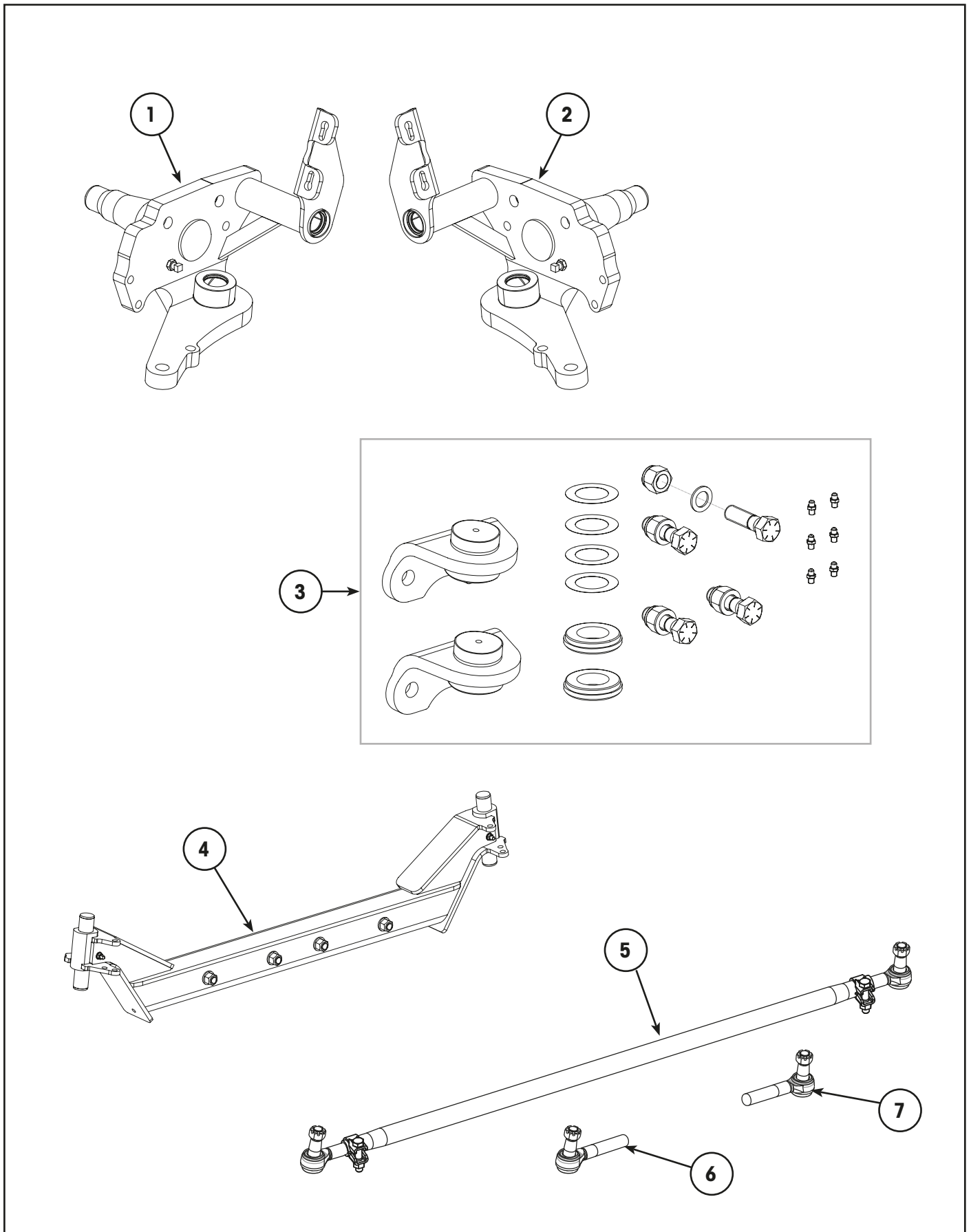
SHOCK ABSORBERS



Item	Part Number	Description	Qty	Notes
1	50764-007	Bolt 3/4" UNC x 2.5"	2	
2	50764-004	Bolt 3/4" UNC x 3 3/4" Long	4	
3	98482-056	Bracket, Upper Shock, Right Hand	1	
4	98482-058	Bracket, Lower Shock, Right Hand	1	
5	60670-010-L	Shock Absorber	2	
6	98482-057	Bracket, Lower Shock, Left Hand	1	
7	98482-055	Bracket, Upper Shock, Left Hand	1	
8	22962-001	Hardened Washer – 3/4"	20	
9	49842-000	Nut - 3/4" UNC Lock	6	



SPINDLE, KINGPIN & TIE ROD

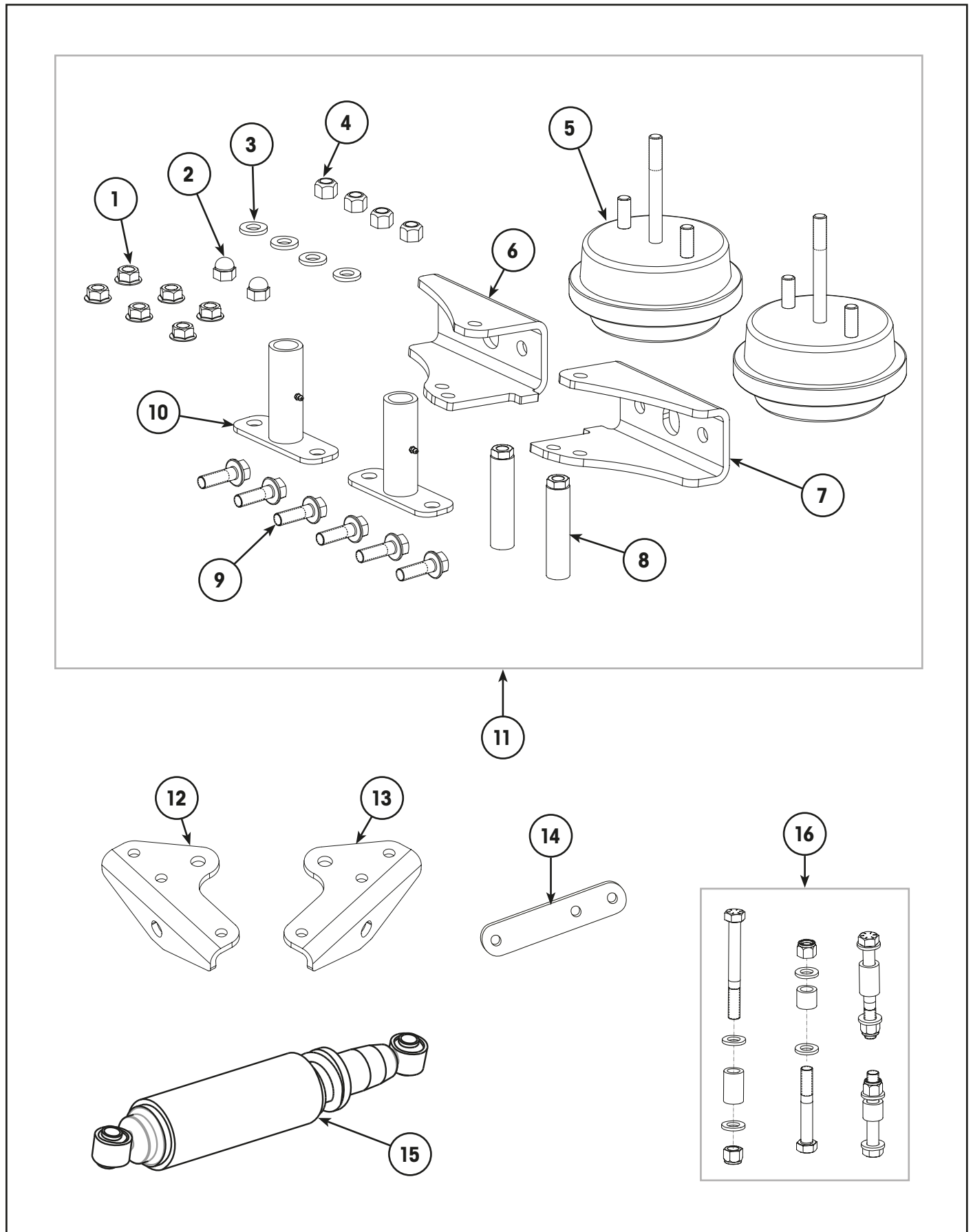


**SPINDLE, KINGPIN & TIE ROD**

Item	Part Number	Description	Qty	Notes
1	011707-1	Backbone – Drum Brake Spindle Cast LH	1	Includes brake anchor pin bushes, lower kingpin bush and grease cap.
2	011707-2	Backbone – Drum Brake Spindle Cast RH	1	
3	018444-0100	Knuckle Kit, 20k	1	Includes upper knuckle assembly.
4	018004-73	Axle Weldment	1	Includes integrated kingpins.
5	015537-2000	Tie Rod Assembly – 1324mm Tube	1	Includes tie rod ends, items 6 & 7.
6	015537-01	Tie Rod End – Left Hand	1	Included in tie rod, item 5.
7	015537-02	Tie Rod End – Right Hand	1	Included in tie rod, item 5.



LOCK STRAIGHT

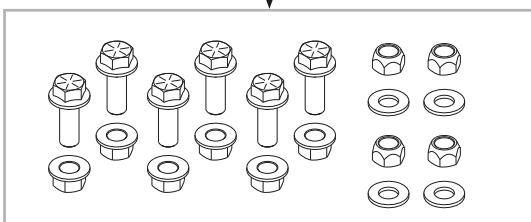




LOCK STRAIGHT

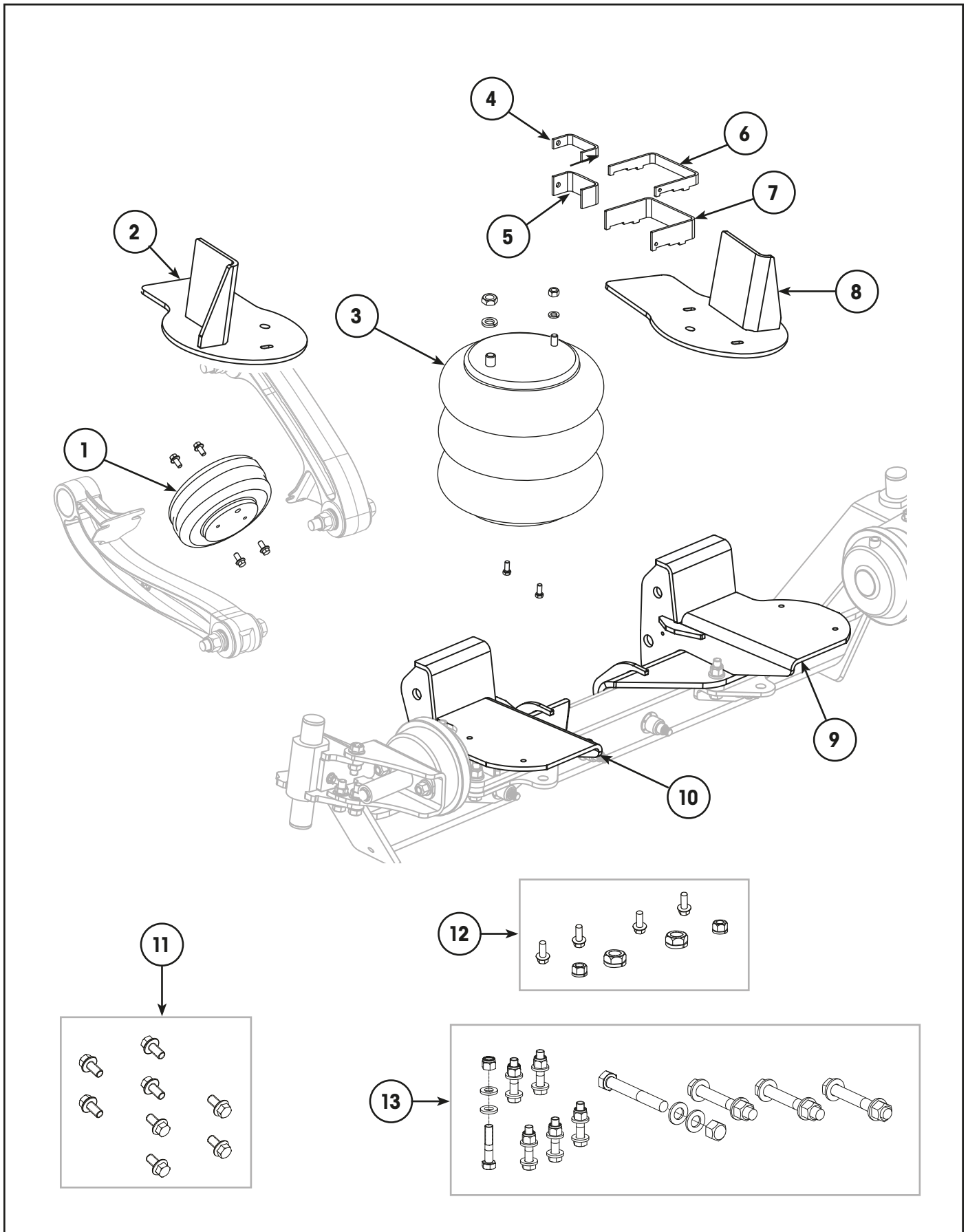
Item	Part Number	Description	Qty	Notes
1	NSS	Nut, 5/8-11 UNC Flange	6	Use hardware kit, item 17
2	003450	Lock Straight Plunger	2	
3	NSS	Washer, Hardened 5/8"	4	Use hardware kit, item 17
4	NSS	Nut, 5/8-11 UNC Lock	4	Use hardware kit, item 17
5	003515	Type 30 Brake Chamber 3.0" Stroke	2	137 mm Pushrod.
6	018139-02	Lock Straight Mount Bracket – Right Hand	1	
7	018139-01	Lock Straight Mount Bracket – Left Hand	1	
8	003451	Lock Straight Inner Tube Assembly	2	
9	NSS	Bolt, 5/8-11 X 2" Flange Grade 8	6	Use hardware kit, item 17
10	020002-00	Lock Straight Tube Assembly	2	
11	018446-0100	Lock Straight Kit EXS20	1	Includes all items 1 to 10.
12	018013-01	Stabiliser Bracket - Left Hand	1	
13	018013-02	Stabiliser Bracket - Right Hand	1	
14	018012-00	Spacer, Stabiliser Bracket & Seat	2	
15	A-14496	Stabiliser, Steering	2	Use with hardware kit, item 16.
16	018445-0400	Stabiliser Hardware Kit	1	Contains hardware for both left and right sides.
17	98111-311	Lock Straight Hardware Kit	1	Suitable for one axle. Includes items 1, 3, 4, & 9.

17



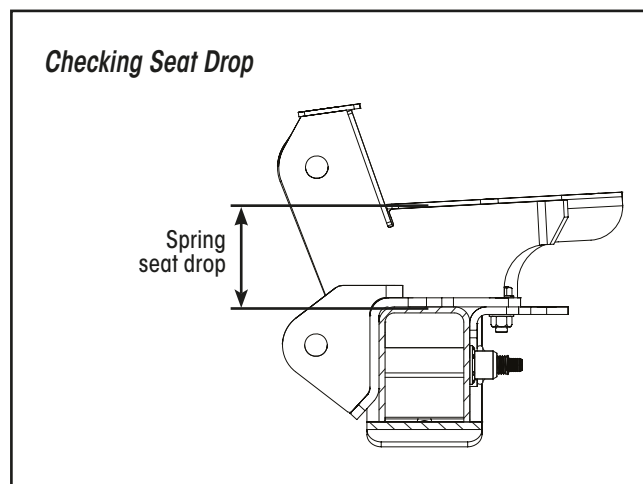


AIR SPRINGS & SEATS



AIR SPRINGS & SEATS

Item	Part Number	Description	Qty	Notes
1	010214	Air Spring, Lift	2	
2	018481-01	Air Spring Mount, Upper – Left Hand	1	
3	001346	Air Spring, Ride	2	
4	018029-0101	Spacer, Air Spring Tail – 1"	2	
5	018029-0202	Spacer, Air Spring Tail – 2"	2	
6	008340-1	Spacer, Air Spring Ride Height – 1"	2	
7	008340-2	Spacer Air Spring Ride Height – 2"	2	
8	018481-02	Air Spring Mount, Upper – Right Hand	1	
9	017770-0202	Kit, Spring Seat – RH 9.5" (241mm) Seat Drop	1	Refer Seat Drop inset below.
10	017770-0201	Kit, Spring Seat – LH 9.5" (241mm) Seat Drop	1	Refer Seat Drop inset below.
11	018439-0100	Kit, Lift Spring Bolt	1	Contains 8 x 3/8" bolts.
12	018948-0100	Kit, Ride Spring Bolt	1	Contains 4 flange bolts, 4 nuts and 4 washers.
13	018441-0300	Kit, Axle Seat Hardware – Bolt Set	1	Contains 10 Bolts, 10 Nuts & 20 washers to suit.

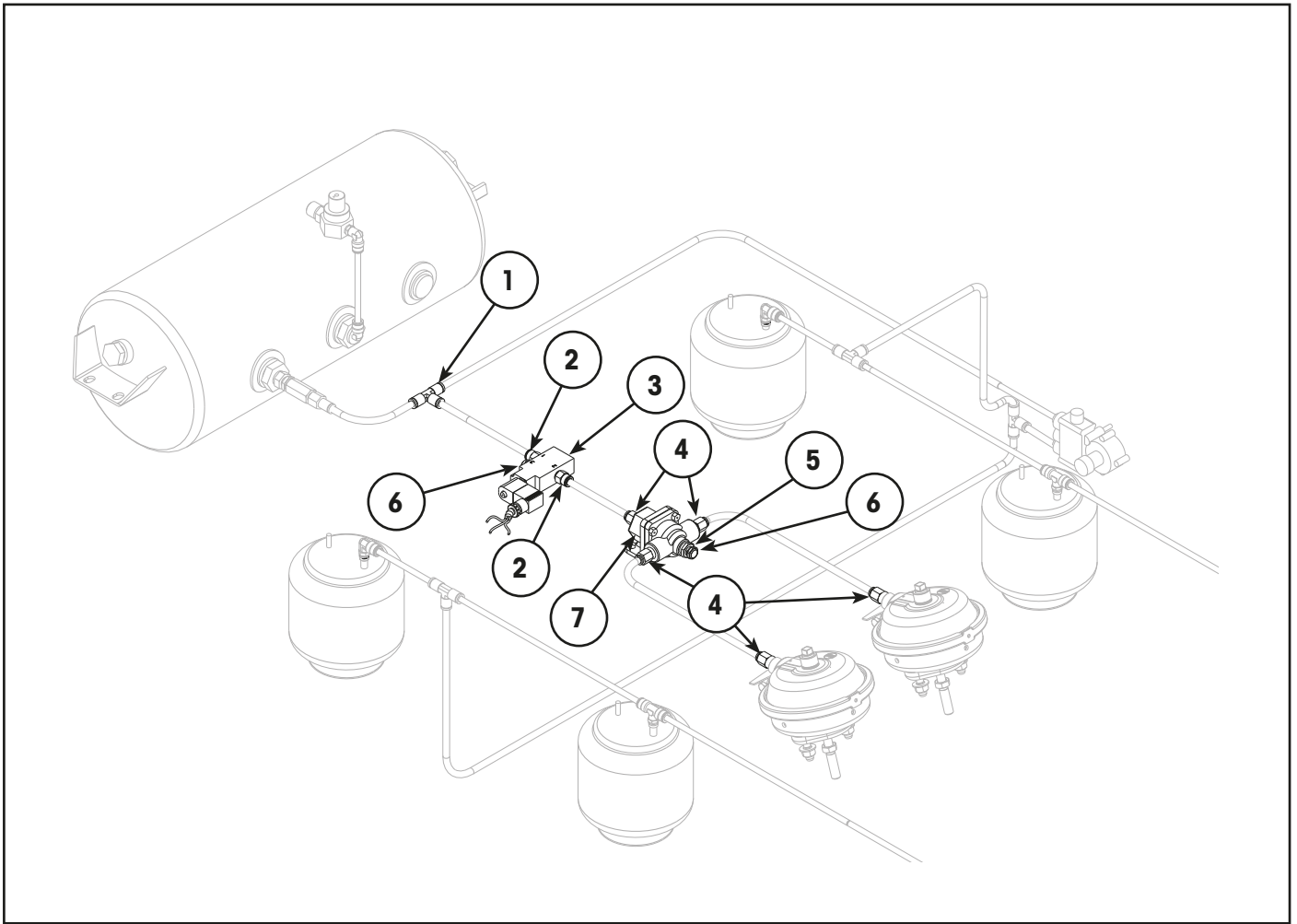




This page is intentionally left blank.



AIR CONTROLS



Item	Part Number	Description	Qty	Notes
1	98934-015	Tee Fitting - 3/8" OD X 3/8" OD X 3/8" OD	1	
2	98732-019	Male Connector 1/4" NPT to 3/8" OD Tube	2	
3	98732-055	Solenoid Valve 24-Volt DC	1	
4	98934-019	Male Connector 3/8" OD Tube X 3/8" NPT	5	
5	98934-020	Union Adaptor 3/8" x 1/4"	1	
6	98732-012	1/4" NPT Exhaust Silencer	2	
7	98732-024	Quick Release Valve	1	



REVISIONS TABLE

DATE	REV	PAGE	DESCRIPTION
Nov-2024	B	4, 5	Add brake drum, update brake chamber, remove extra shoe kit. ECN 12107.
Nov-2024	B	6	Add wheel stud, bearing kit & ABS tone ring. ECN 12107.
Nov-2024	B	11	Add lock straight hardware kit. ECN 12107.
Nov-2024	B	12, 13	Update axle seat hardware kit. ECN 12107.

*Actual product performance may vary depending upon vehicle configuration, operation, service and other factors.
 All applications must comply with applicable Hendrickson specifications and must be approved by the respective vehicle manufacturer with the vehicle in its original, as-built configuration.
 Contact Hendrickson for additional details regarding specifications, applications, capacities, and operation, service and maintenance instructions.*

**Need Help? Australia Call +61 3 8792 3600 or Email customerservice@hendrickson.com.au
 New Zealand Call +64 9 570 4721 or Email nz-customerservice@hendrickson.co.nz**



HENDRICKSON ASIA PACIFIC
 ABN 21 004 992 769
 32- 44 Letcon Drive, P.O. Box 1063
 Dandenong, Victoria, 3175
 61.3.8792.3600 • Fax 61.3.8792.3699

HENDRICKSON NEW ZEALAND
 Unit P, 24 Allright Place
 Mt Wellington, Auckland, 1060
 64.9.570.4721 • Fax 64.9.570.4816

www.hendrickson.com.au