

H PARTS LIST

SOFTEK® NXT Front Steer Axle and Suspension System for Peterbilt Vehicles

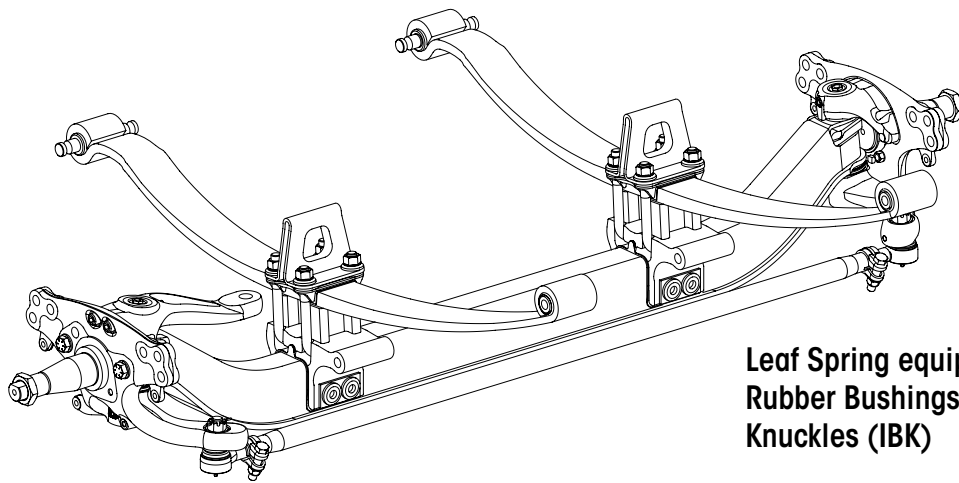
LIT NO.: SP-289

DATE: February 2023

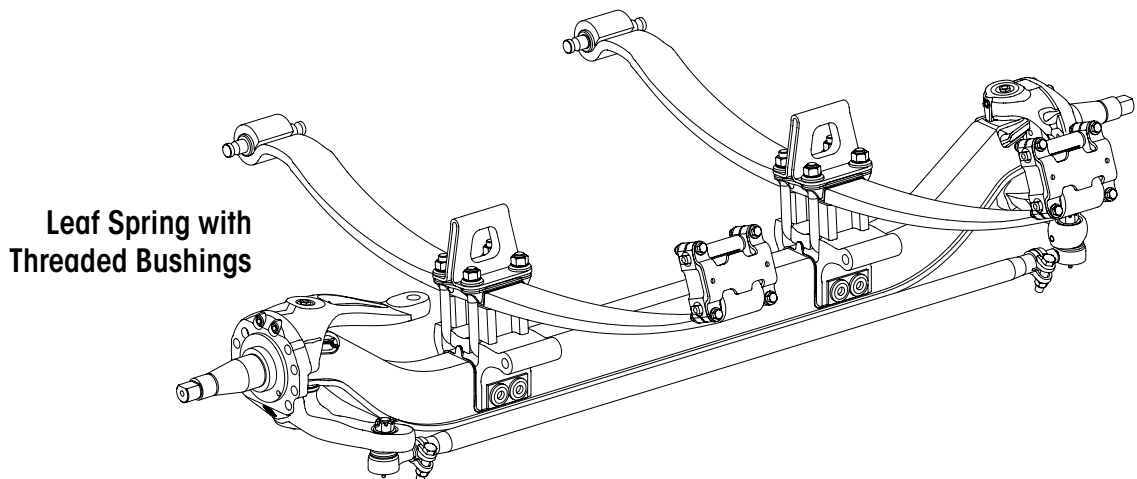
REVISION: G

CONTENTS

DESCRIPTION	PAGE
Parts List	2
Selection Guides	4
Special Tools	5



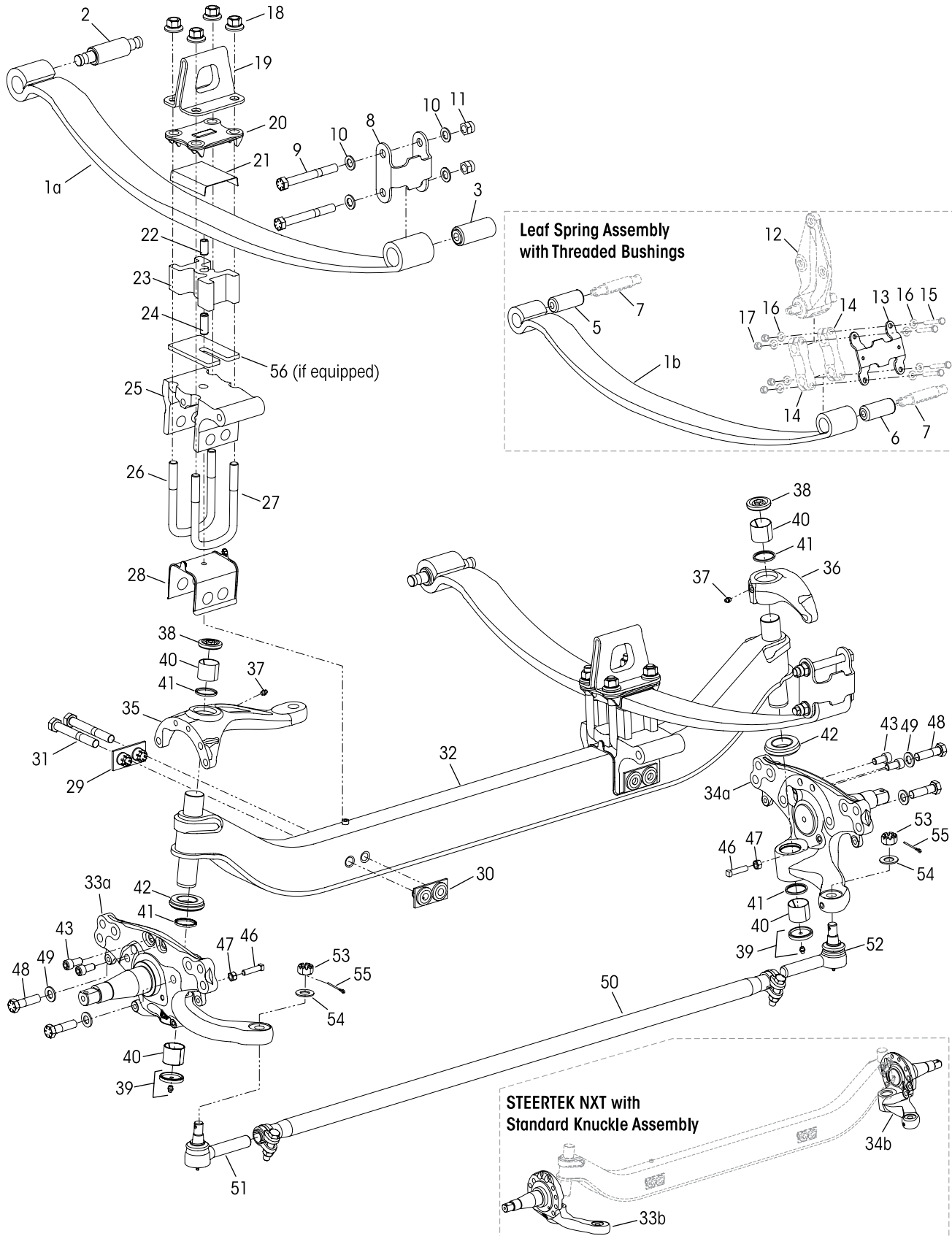
**Leaf Spring equipped with
Rubber Bushings and Integrated Brake
Knuckles (IBK)**



**Leaf Spring with
Threaded Bushings**



12.5K / 13.2K Capacity





		VEHICLE			VEHICLE		
KEY NO.	PART NO.	DESCRIPTION	QTY.	KEY NO.	PART NO.	DESCRIPTION	QTY.
		Leaf Spring and Clamp Group Assembly Service Kit, One Side		26		U-bolt - Front	2
		• with Rubber Bushings, Includes Key Nos. 1a, 2-3, 18-31		77132-180		10" Ride Height, 12.5K, <i>Replaces 77132-190</i>	
	60961-813	10" Ride Height, 12.5K		77132-190		10" Ride Height, 13.2K	
	60961-854	10" Ride Height, 13.2K		77132-140		8½" Ride Height, 12.5K, <i>Replaces 77132-150</i>	
	60961-814	8½" Ride Height, 12.5K		77132-150		8½" Ride Height, 13.2K	
	60961-855	8½" Ride Height, 13.2K		77132-120		6½" Ride Height, 12.5K, <i>Replaces 77132-130</i>	
	60961-815	6½" Ride Height, 12.5K		77132-130		6½" Ride Height, 13.2K	
	60961-856	6½" Ride Height, 13.2K					
		• with Threaded Bushings, Includes Key Nos. 1b, 5-6, 18-31		27		U-bolt - Rear	2
	60961-848	10" Ride Height, 12.5K		77132-190		10" Ride Height, 12.5K	
	60961-849	10" Ride Height, 13.2K		77132-200		10" Ride Height, 13.2K	
	60961-850	8½" Ride Height, 12.5K		77132-150		8½" Ride Height, 12.5K	
	60961-851	8½" Ride Height, 13.2K		77132-160		8½" Ride Height, 13.2K	
	60961-852	6½" Ride Height, 12.5K		77132-130		6½" Ride Height, 12.5K	
	60961-853	6½" Ride Height, 13.2K		77132-140		6½" Ride Height, 13.2K	
		Leaf Spring Assembly	2	60961-802		Axle Clamp Service Kit, One Side,	
1	a	• with Rubber Bushings, Includes Key Nos. 2-3				Includes Key Nos. 28-31	
		12.5K Capacity		28		*Axle Wrap Liner	2
	53765-000	13.2K Capacity				*Axle Clamp	
	53984-000	• with Threaded Bushings, Includes Key Nos. 5-6		29		Front - Unthreaded	2
		12.5K Capacity		30		Rear - Threaded	2
		13.2K Capacity		31		*M20 X 2.5-6G x 160 mm Hex Cap Screw	4
	b	• with Threaded Bushings, Includes Key Nos. 5-6		32	70685-XXX	Axle and Kingpin Assembly, <i>See Table 1 on Page 4</i>	1
		12.5K Capacity		33		Left Hand Lower Steering Knuckle Assembly, <i>See Table 1 on Page 4</i>	1
	53963-000	13.2K Capacity		a	80029-XXX	• with Integrated Brake Knuckle Assembly	
	53964-000					Includes Key Nos. 39-41, 45-49	
		Spring Eye Bushing Service Kit, One Side		b	58900-XXX	• with Standard Brake Knuckle Assembly	
	60961-820	Front, Includes Key Nos. 2, 4				Includes Key Nos. 39-41, 45-47	
	60961-821	Rear, Includes Key Nos. 3-4		34		Right Hand Lower Steering Knuckle Assembly, <i>See Table 1 on Page 4</i>	1
2		*Front Bar Pin Spring Eye Bushing	2	a	80029-XXX	• with Integrated Brake Knuckle Assembly	
3		*Rear Thru-bolt Spring Eye Bushing	2			Includes Key Nos. 39-41, 45-49	
4	69125-001	Loctite® 680 (Green) Compound Tube (Not Shown)	1	b	58900-XXX	• with Standard Brake Knuckle Assembly	
5	52700-000	Front Spring Pin Bushing	2			Includes Key Nos. 39-41, 45-47	
6	53980-000	Rear Threaded Bushing	2	35	60903-472	Left Hand Upper Steering Knuckle Assembly, Includes Key Nos. 37-38, 40-41	1
7		***Threaded Bar Pin	2	36	60904-402	Right Hand Upper Steering Knuckle Assembly, Includes Key Nos. 37-38, 40-41	1
	60961-803	Rear Shackle Service Kit, One Side,			60961-630	Kingpin Bushing and Roller Thrust Bearing Service Kit, One Side, Includes Key Nos. 37-44	
		Includes Key Nos. 8-11		37	33117-000	Grease Zerk	2
8	70795-001	Shackle	2	38	68687-003	Grease Cap Assembly, Upper	2
9	21867-023	¾"-16 UNF x 6½" Hex Bolt	4	39	68687-002	Grease Cap Assembly, Lower	2
10	22962-001	¾" Washer	8	40	58909-001	Kingpin Bushing	4
11	17700-035	¾"-16 UNF-2B Nylocknut	4	41	68731-000	Kingpin Seal	4
12		***Rear Hanger	2	42	64256-000L	Roller Thrust Bearing	2
13	79381-001	Shackle	2	43	60236-001	5/8"-11 UNC Socket Head Cap Screw	4
14		***Shackle Plate	4	44	60937-000	Loctite® (Red) Compound Tube (Not Shown)	1
15		***M12 Hex Bolt	8	45	64246-000	ABS Sensor Sleeve (Not Shown)	2
16		***M12 Washer	16		60961-069	Stop Bolt Service Kit, One End,	
17		***M12 Nylocknut	8			Includes Key Nos. 46-47	
	60961-804	Clamp Group Service Kit, One Side, Includes Key Nos. 18, 21, 28-31		46	60238-001	½"-13 UNC x 2" Square Head Bolt	2
		• Key No. 26-27 U-bolts to be purchased separately		47	60240-000	½"-13 UNC Hex Jam Nut	2
18	75989-000	M20 x 1.5-6H Two-piece Nut	8	48	58917-023	¾"-10 UNC x 2¾" Hex Head Cap Screw	4
19	70690-001	Jounce Stop	2	49	22962-047	¾" Flat Washer	4
20	70688-001	Top Pad	2	50		Tie Rod Assembly, Includes Key Nos. 51-53	1
21	75990-000	Leaf Spring Liner	2			<i>See Table 2 on Page 4</i>	
22		Upper Slotted Spring Pin	2		60961-XXX	Tie Rod End Service Kits, See Table 2 on Page 4	
	76897-013	10" Ride Height, 12.5K / 13.2K				Axle Set, Includes Left and Right Hand Kits	
	76897-015	8½" Ride Height, 12.5K				Left Hand, Includes Key Nos. 51, 53-55	
	76897-005	8½" Ride Height, 13.2K				Right Hand, Includes Key Nos. 52-55	
	76897-016	6½" Ride Height, 12.5K		51		Left Hand Tie Rod End, <i>See Table 2 on Page 4</i>	1
	76897-012	6½" Ride Height, 13.2K		52		Right Hand Tie Rod End, <i>See Table 2 on Page 4</i>	1
23		Leaf Spring Spacer	2	53		*7/8" Castle Nut	2
	70694-001	10" Ride Height, 12.5K		54	22962-007	7/8" Flat Washer	2
	70694-003	10" Ride Height, 13.2K		55	17800-004	Tie Rod Nut Cotter Pin	2
	70694-002	8½" Ride Height, 12.5K		56	78578-001	**Chassis Spacer (if equipped)	1
	70694-004	8½" Ride Height, 13.2K					
	77808-001	6½" Ride Height, 12.5K					
	70694-005	6½" Ride Height, 13.2K					
24	76897-001	Lower Slotted Spacer Pin (10" Ride Height Only)	2				
25	75986-001	Axle Wrap / Shock Bracket	2				



■ Selection Guides

TABLE 1 Brake Knuckle Assembly

		Wheel Base	Equipped with Integrated Brake Knuckle				Equipped with Standard Brake Knuckle			
			STEERTEK NXT Assembly	Axle & Kingpin Assembly	Lower Steering Knuckle Assembly		STEERTEK NXT Assembly	Axle & Kingpin Assembly	Lower Steering Knuckle Assembly	
					Left Hand	Right Hand			Left Hand	Right Hand
		Part Numbers						Part Numbers		
4.25" Axle Drop	12.5K	241"-290"	70757-501		80029-099	80029-100	70757-001		58900-499	58900-500
		191"-240"	70757-502	70685-001X	80029-097	80029-098	70757-002	70685-001X	58900-497	58900-498
		140"-190"	70757-503		80029-095	80029-096	70757-003		58900-495	58900-496
	13.2K	241"-290"	70757-504		80029-099	80029-100	70757-004		58900-499	58900-500
		191"-240"	70757-505	78685-001X	80029-097	80029-098	70757-005	78685-001X	58900-497	58900-498
		140"-190"	70757-506		80029-095	80029-096	70757-006		58900-495	58900-496
5.36" Axle Drop	12.5K	241"-290"	70757-507		80029-099	80029-100	70757-007		58900-499	58900-500
		191"-240"	70757-508	70685-101X	80029-097	80029-098	70757-008	70685-101X	58900-497	58900-498
		140"-190"	70757-509		80029-095	80029-096	70757-009		58900-495	58900-496
	13.2K	241"-290"	70757-510		80029-099	80029-100	70757-010		58900-499	58900-500
		191"-240"	70757-511	78685-101X	80029-097	80029-098	70757-011	78685-101X	58900-497	58900-498
		140"-190"	70757-512		80029-095	80029-096	70757-012		58900-495	58900-496

TABLE 2 Tie Rod Assemblies and Tie Rod End Service Kits

Wheelbase	Tie Rod Assembly Part Number		Tie Rod End Part Number		Tie Rod End Service Kit Part Number	
	12.5K	13.2K	12.5K	13.2K	12.5K	13.2K
241"-290"	76877-003	76879-003			60961-734 (Axle Set)	60961-735 (Axle Set)
191"-240"	76877-002	76879-002	70995-001 (LH) 70995-002 (RH)	76876-001 (LH) 76876-002 (RH)	60961-736 (LH) 60961-741 (RH)	60961-742 (LH) 60961-743 (RH)
140"-190"	76877-005	76879-001				

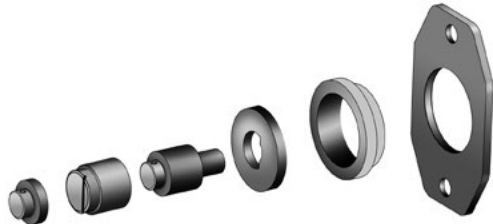
NOTES: * Item included in kit/assembly only, part not sold separately.

** Chassis spacer (if equipped) can be located on either left or right side of suspension.

*** Not supplied by Hendrickson, used for reference only. Hendrickson is not responsible for components supplied by vehicle manufacturer. For more information and assistance with maintenance and rebuild instructions on these components see vehicle manufacturer.

■ Special Tools**LEAF SPRING BUSHING INSTALLATION AND REMOVAL TOOLS****Hendrickson Part No. 66086-300****OTC Part No. 4274** Visit otctools.com**Hendrickson Part No. 66086-301****OTC Part No. 4275** Visit otctools.com**Hendrickson Part No. 66086-302****OTC Part No. 4250** Visit otctools.com

NOTE: In conjunction with Hendrickson Part No. 66086-301 (OTC 4275) this additional adapter tool kit is available to purchase to be used on Hendrickson PRIMAX EX • COMFORT AIR • V-Ride rear air suspensions (not needed for this front suspension).

**KINGPIN BUSHING TOOL – ADJUSTABLE STRAIGHT FLUTE REAMER**

The dimension of cutting diameter must facilitate a range of **1.802"-1.812"**



This is a general parts list to provide directional information. Components may vary by model. Questions in regards to parts, contact Hendrickson Truck Parts at 1.866.755.5968 (Toll-free U.S. and Canada), 630.910.2800 (Outside U.S. and Canada) or email: truckparts@hendrickson-intl.com.

Actual product performance may vary depending upon vehicle configuration, operation, service and other factors.

All applications must comply with applicable Hendrickson specifications and must be approved by the respective vehicle manufacturer with the vehicle in its original, as-built configuration.

Contact Hendrickson for additional details regarding specifications, applications, capacities, and operation, service and maintenance instructions.

*Call Hendrickson at **1.866.755.5968** (toll-free) or **1.630.910.2800** for additional information.*



www.hendrickson-intl.com

SP-289 Rev F 02-23

© 2016 – 2023 Hendrickson USA, L.L.C. All Rights Reserved. All trademarks shown are owned by Hendrickson USA, L.L.C., or one of the affiliates, in one or more countries.

Information contained in this literature was accurate at the time of publication. Product changes may have been made after the copyright date that are not reflected.

TRUCK COMMERCIAL VEHICLE SYSTEMS

800 South Frontage Road

Woodridge, IL 60517-4904 USA

1.866.755.5968 (Toll-free U.S. and Canada)

1.630.910.2800 (Outside U.S. and Canada)

Fax 1.630.910.2899

Printed in United States of America