

# **H PARTS LIST**

## **STEERTEK™ NXT High Capacity Steer Axle System for KME Fire/Rescue Vehicles**

LIT NO: SP-305

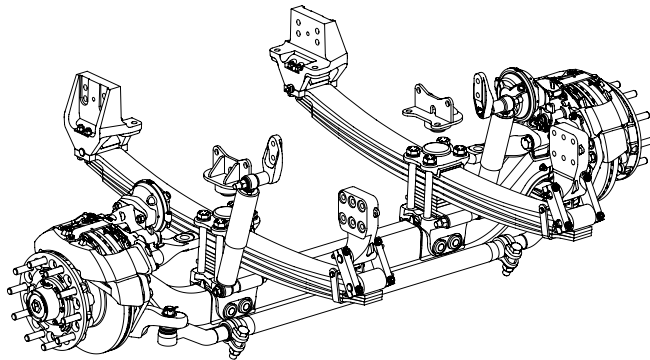
DATE: November 2024

REVISION: E

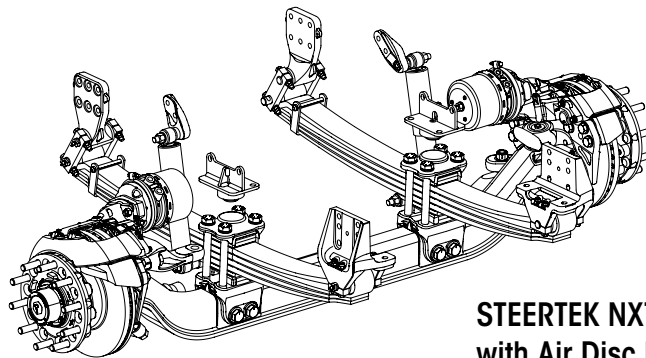
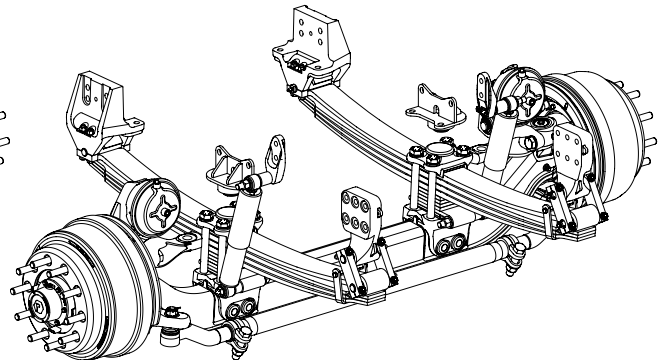
### **CONTENTS**

<b>DESCRIPTION</b>	<b>PAGE</b>	<b>DESCRIPTION</b>	<b>PAGE</b>
<b>Parts Lists</b>		<b>Parts Lists</b>	
■ Suspension • Axle • Clamp Group Assembly . . . 2		■ Air Disc Brake Assembly for Tractor Drawn Aerial (TDA) . . . . . 7	
■ Air Disc Brake Assembly . . . . . 4		■ Suspension • Axle • Clamp Group Assembly for Tractor Drawn Aerial (TDA) . . . . . 8	
■ Drum Brake Assembly . . . . . 5			
<b>Selection Guides</b> . . . . . 6			

**STEERTEK NXT High Capacity  
with Air Disc Brakes**



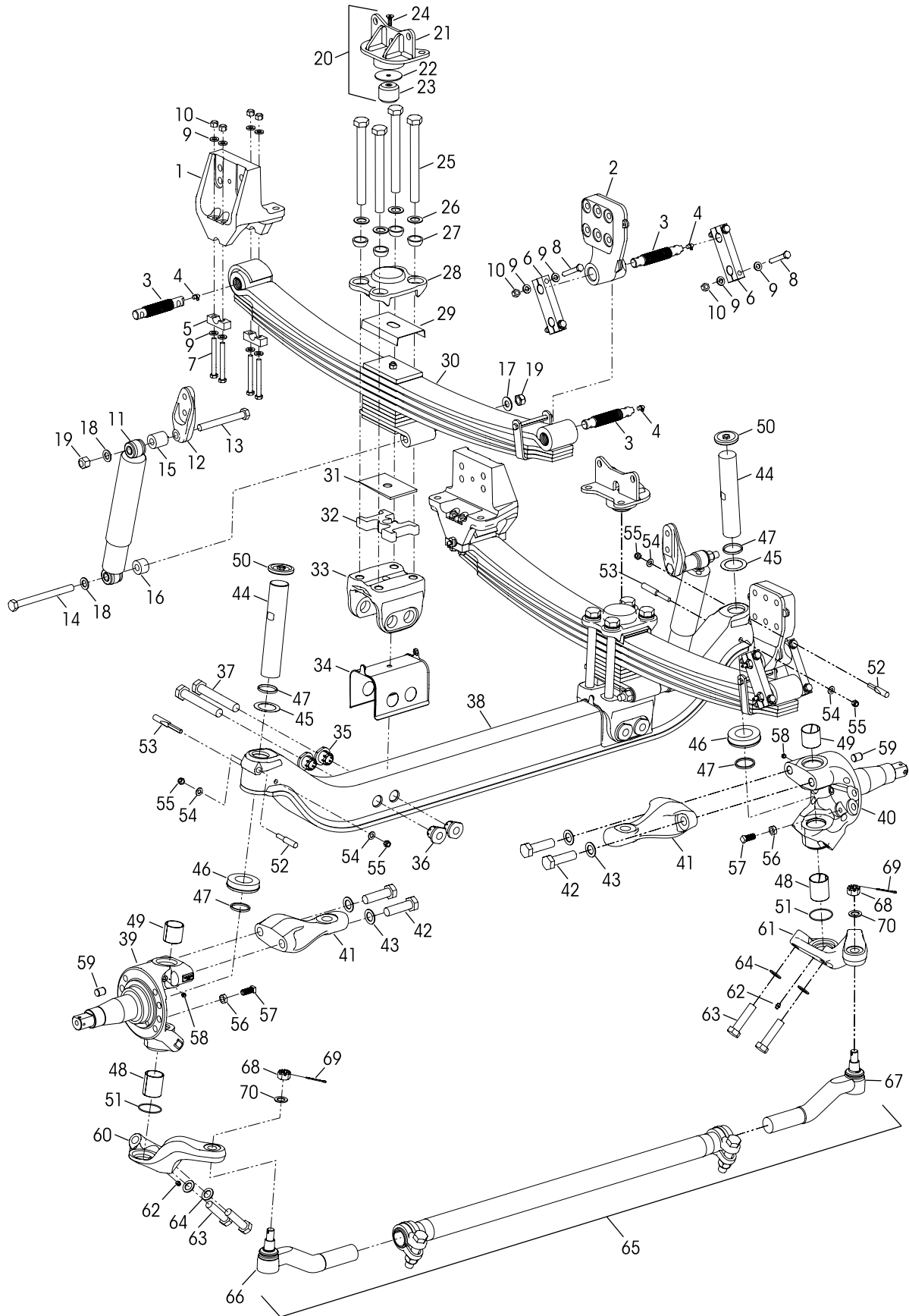
**STEERTEK NXT High Capacity  
with Drum Brakes**



**STEERTEK NXT High Capacity  
with Air Disc Brakes  
for Tractor Drawn Aerial (TDA)**



Suspension • Clamp Group • Axle Assembly





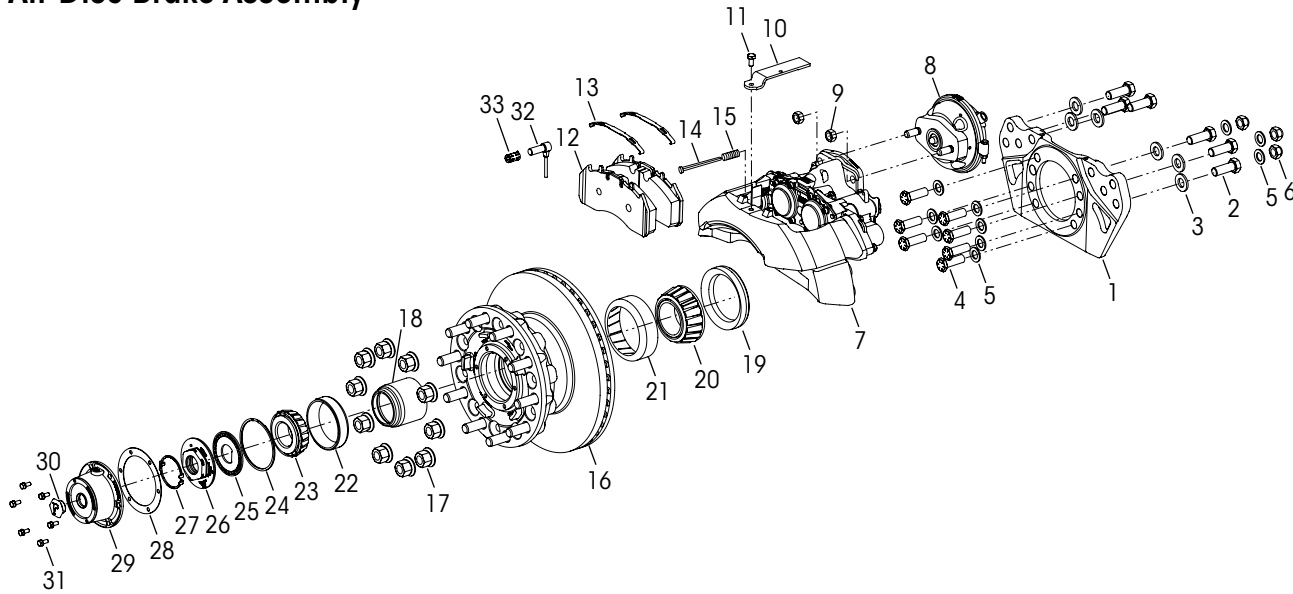
# STEERTEK™ NXT High Capacity Steer Axle System for KME Vehicles

KEY NO.	PART NO.	DESCRIPTION	VEHICLE QTY.	KEY NO.	PART NO.	DESCRIPTION	VEHICLE QTY.
1	79894-002	Frame Hanger Front	2	35		*Axle Collar Non Threaded	4
2	80159-002	Rear with Bushing	2	36		Threaded	4
		<b>Frame Hanger Fastener Service Kit, One Side</b>		37		*1"-8 UNC x 6½" Hex Thru Bolt	4
	34013-247	Front, Includes Key Nos. 5, 7, 9-10			80886-XXX	STEERTEK NXT High Capacity Axle Assembly Fire and Rescue, Includes Key Nos. 39-40, 44-70, See Table 2 on page 6	
	34013-248	Rear, Includes Key Nos. 3-4, 6, 8-10					
	34013-249	<b>Single Threaded Pin and Grease Zerk Service Kit, Includes Key Nos. 3-4</b>		38	77284-010	Axle	1
3		*Threaded Pin	6			Knuckle Assembly, Includes Key Nos. 47, 50, 56-59	
4		*Grease Zerk	6	39	77243-001	Left Hand	1
5	79843-000	Front Hanger Bottom Cap	4	40	77243-002	Right Hand	1
6	79888-001	Rear Shackles	4	41	77337-008	Steering Arm	2
7	80362-001	½"-20 UNC x 4½" Hex Bolt	8	42	30550-027	1"-14 UNF x 3½" Hex Bolt	4
8	80362-002	½"-20 UNC x 3¼" Shackle Hex Bolt	8	43	22962-051	1" Flat Washer	4
9	22962-014	½" Flat Washer	32		34013-230	<b>Kingpin Service Kit, One Side</b>	
10	17700-034	½"-20 UNC Locknut	16			Includes Key Nos. 44, 45a, 46-55, 63-64	
	34013-311	<b>Single Shock Absorber Service Kit</b>		44		*Kingpin	2
		Includes Key Nos. 11, 14-19		45		Kingpin Shim (As needed for service)	2
11	80606-001	Shock Absorber	2	a	77241-002	0.01" Thickness	
12	78250-002	Shock Absorber Bracket	2	b	77241-003	0.02"	
13	50764-021	¾"-10 UNC x 6" Upper Shock Hex Bolt	2	46	75918-001	Thrust Bearing	2
14	50764-014	¾"-10 UNC x 8½" Lower Shock Hex Bolt	2	47	75966-001	Kingpin Seal	4
		Shock Spacer				Kingpin Bushing	
15	59946-014	Upper, 45 mm Thick	2	48	75919-001	Lower, 2½" Length	2
16	59946-015	Lower Outboard, 28 mm Thick	2	49	75919-002	Upper, 2" Length	2
17	59946-005	Lower Inboard, 3 mm Thick	2	50	77209-001	Grease Cap	2
18	22962-001	¾" Flat Washer	4	51	68303-004	O-Ring	2
19	49842-000	¾"-10 UNC Locknut	4			Kingpin Draw Key	
20	91081-000	Jounce Stop Assembly, Includes Key Nos. 21-24	2	52	75925-001	Upper, 3¾" Length	2
21	91082-000	Jounce Stop	2	53	75925-002	Lower, 4¾" Length	2
22	80853-000	Spacer	2	54	22962-054	7/16" Flat Washer	4
	34013-505	<b>Jounce Stop Service Kit, One Side,</b>		55	17700-008	7/16"-14 UNC-2B Nut	4
		Includes Key Nos. 23-24		56	17491-023	5/8"-11 UNC-2B Jam Nut	2
23	80176-000	Rubber Bump Stop	2	57	93334-001	5/8"-11 UNC x 1½" Set Screw, Replaces 80183-000	2
24	80177-000	M10 x 1.5 x 30 mm Flat Socket Cap Screw	2	58	33117-000	Grease Zerk	2
	80888-XXX	Leaf Spring & Clamp Group Assembly, Includes Key Nos. 25-27, See Table 1 on page 6	2	59	64246-000	ABS Sensor Sleeve	2
	34013-XXX	<b>Clamp Group Service Kit, One Side,</b> Includes Key Nos. 25-27, 29, See Table 1 on page 6			77244-XXX	Tie Rod Arm Assembly, Includes Key No. 62 See Table 2 on page 6	
25	64107-XXX	1"-8 UNC Hex Bolt, See Table 1 on page 6	8	60		Left Hand	1
26	22962-051	1" Flat Washer, See Table 1 on page 6	8	61		Right Hand	1
27	78356-002	1" Spherical Washer	8	62	33117-000	Grease Zerk	2
28	78888-000	Top Pad	2	63	30418-014	7/8"-14 UNF x 3½" Hex Bolt	4
29	79273-001	Spring Liner	2	64	22962-002	7/8" Flat Washer	4
30		Leaf Spring Assembly, See Table 1 on page 6		65	79365-001	Tie Rod Assembly, 20K Drop, Includes Key Nos. 66-68	1
31	80143-001	Caster Wedge - 2°	2			<b>Tie Rod End Service Kits,</b>	
32		Spring Spacer (if equipped) See Table 1 on page 6	2		60961-884	Axle Set, Includes Kit Nos. 60961-882 and -883	
33	77232-000	Axle Seat	2		60961-882	Left Hand, Includes Key Nos. 66, 68-70	
	34013-229	<b>Axle Clamp Collar Service Kit, One Side</b>			60961-883	Right Hand, Includes Key Nos. 67-70	
		Includes Key Nos. 34-37				*Tie Rod End, Includes Key No. 68	
34	78887-001	Axle Seat Liner	2	66		Left Hand	1
				67		Right Hand	1
				68		*7/8"-14 UNF-2A Castle Nut	2
				69		*Cotter Pin	2
				70		*7/8" Flat Washer	2

**NOTE:** \* Item included in kit/assembly only, part not sold separately.



**Air Disc Brake Assembly**

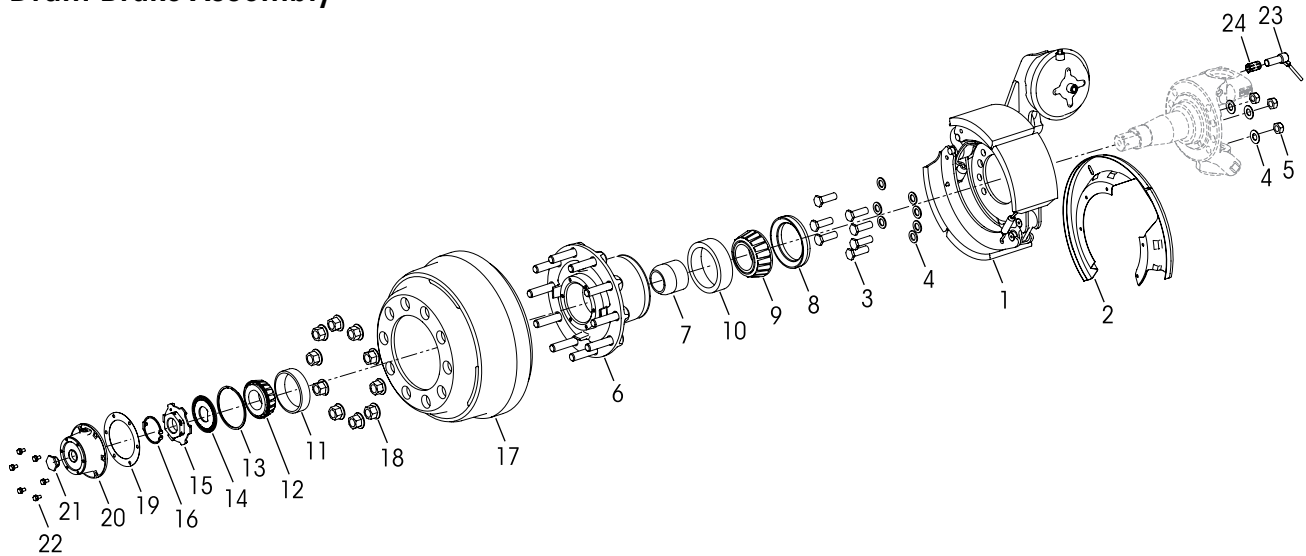


KEY NO.	PART NO.	DESCRIPTION	VEHICLE QTY.
1		*Meritor Torque Plate Assembly Left Hand, Part No. 3215-F-1878 Right Hand, Part No. 3215-E-1877	1 1
2	69781-002	M20 x 55 mm Hex Head Bolt	12
3	58246-018	M20 Flat Washer, <i>Replaces 58246-039</i>	12
4	80345-004	3/4"-16 UNC x 2 1/4" Low Profile Hex Head Bolt	14
5	22962-001	3/4" Flat Washer	20
6	80691-001	3/4"-16 UNC Hex Nut	6
7		*Meritor Air Disc Brake Caliper Assembly, Includes Key Nos. 10-11, 14-15 Left Hand, Part No. EX225H202XX000S Right Hand, Part No. EX225H201XX000S	1 1
8		*WABCO Air Brake Chamber MGMT24L, Includes K80131-001 Key No. 9 Left Hand, Part No. 423 506 1340 Right Hand, Part No. 423 506 1350	1 1
9		*Hex Nut *Meritor Disc Pad Retainer Kit No. 22510, Includes Key Nos. 10-11	4
10		*Pad Retainer	
11		*Pad Retainer Bolt *Meritor Air Disc Brake Pad Kit No. 2252H2CG, Includes Key Nos 12-13	
12		*Air Disc Brake Pad	
13		*ADB Pad Spring *Meritor Wear Indicator Kit No. 225255, Includes Key Nos. 14-15	
14		*Wear Indicator	
15		*Wear Indicator Spring	
16		*Conmet Hub and Rotor Assembly Part No. 10083224, Includes Bearings and Seals	2

KEY NO.	PART NO.	DESCRIPTION	VEHICLE QTY.
		*Conmet Brake Rotor Replacement Kit No. 10082181, One Wheel End, Includes Rotor and 10 of each Cap Screws and Washers	
17		**M22 x 1.5 Two-piece Wheel Nut *Conmet Hub Bearing Rebuild Kit No. 10081728, One Wheel End, Includes Key Nos. 18-23 *Conmet Wheel Seal Kit No. 10081519, One Wheel End, Includes Key Nos. 18-19	20
18		*Bearing Spacer Part No. 10034342	
19		*Wheel Seal Part No. 10045883	
20		*Inner Bearing Cone Part No. 10041922	
21		*Inner Bearing Cup Part No. 10041921	
22		*Outer Bearing Cup Part No. 10041923	
23		*Outer Bearing Cone Part No. 10041924 *Conmet Preset Plus FL Nut Assembly Kit No. 10036550, Includes Key Nos. 24-27	
24		*Snap Ring - Double Wind Part No. 10033288	
25		*Spindle Nut Lockwasher Part No. 10031171	
26		*Outer Spindle Nut Part No. 10031170	
27		*Snap Ring Retainer Part No. 10031172	
28		*Drivparts Hub Cap Gasket No. G-3009	2
29		*Drivparts Hub Cap Part No. 343-009, Includes Key No. 30	2
30		*Rubber Plug	
31	64545-002	5/16"-18 UNC x 3/4" Hex Bolt with Retained Washer	12
32		*WABCO ABS Sensor Part No. 441-032-900-0	2
33	64550-000	ABS Sensor Clip	2



## Drum Brake Assembly



KEY NO.	PART NO.	DESCRIPTION	VEHICLE QTY.	KEY NO.	PART NO.	DESCRIPTION	VEHICLE QTY.
1		*Meritor Drum Brake Foundation Kit, Includes Key No. 2 Left Hand, Part No. QP4-1656-2801 Right Hand, Part No. QP4-1656-2802	1 1	11		*Outer Bearing Cup Part No. 10041923	
2		*Dust Shield	2	12		*Outer Bearing Cone Part No. 10041924	
3	80345-004	3/4"-16 x 2 1/4" Low Profile Hex Head Bolt	14			*Conmet Preset Plus FL Nut Assembly Kit No. 10036550, Includes Key Nos. 13-16	
4	22962-001	3/4" Flat Washer	20	13		*Snap Ring - Double Wind Part No. 10033288	
5	80691-001	3/4"-16 UNC - 2B Nut	6	14		*Spindle Nut Lockwasher Part No. 10031171	
		*Conmet Preset Plus FL Hub Assembly Part No. 10081313, Includes Key Nos. 6-16	2	15		*Outer Spindle Nut Part No. 10031170	
6		*Hub Part No. 10033316		16		*Snap Ring Retainer Part No. 10031172	
		*Conmet Hub Bearing Rebuild Kit No. 10081728, One Wheel End, Includes Key Nos. 7-12		17		*Conmet Drum 16.5 x 6 Part No. 10033071	
		*Conmet Wheel Seal Kit No. 10081519, One Wheel End, Includes Key Nos. 7-8		18		**M22 x 1.5 Two-piece Wheel Nut	20
7		*Bearing Spacer Part No. 10034342		19		*Drivparts Hub Cap Gasket No. G-3009	2
8		*Wheel Seal Part No. 10045883		20		*Drivparts Hub Cap Part No. 343-009, Includes Key No. 21	2
9		*Inner Bearing Cone Part No. 10041922		21		*Rubber Plug	
10		*Inner Bearing Cup Part No. 10041921		22	64545-002	5/16"-18 UNC x 3/4" Hex Bolt with Retained Washer	12
				23		*WABCO ABS Sensor Part No. 441-032-900-0	2
				24	64550-000	ABS Sensor Clip	2

**NOTES:** \* Part not supplied by Hendrickson for aftermarket service purposes. Description and part number listed for reference only. For more information and assistance with service, maintenance, and rebuild instructions on these components see following component manufacturers:

- CONMET technical and parts support 800.547.9473 or online [aftermarket.conmetwheelends.com/hub-selection](http://aftermarket.conmetwheelends.com/hub-selection)
- DRIVPARTS technical and parts support 800.334.3210 or online [www.drivparts.com](http://www.drivparts.com)
- MERITOR technical and parts support 888.725.9355, or online for parts: [www.meritorpartsexpress.com](http://www.meritorpartsexpress.com) and for technical support: [www.meritorbullpen.com](http://www.meritorbullpen.com)
- WABCO technical and parts support 855.228.3203 or online [www.wabco-customercentre.com](http://www.wabco-customercentre.com)

\*\* Not supplied by Hendrickson, used for reference only. Contact the vehicle manufacturer for more information.



■ Selection Guides

**TABLE 1** Leaf Spring Assembly and Components

Capacity	Ride Height	Leaf Spring & Clamp Group Assembly	Clamp Group Service Kit	Leaf Spring Assembly Key No. 30	1" Hex Bolt Key No. 25		1" Flat Washer (Use ONLY as specified) Key No. 26	Leaf Spring Spacer Key No. 32	
					Length	Part No.		Thickness	Part No.
20K	10"	80888-001	34013-312	82379-250	9"	64107-003	---	---	---
	11"	80888-002	34013-313		10"	64107-008		1"	79814-000
22K	10"	80888-101	34013-312	82380-250	9"	64107-003		---	---
	11"	80888-102	34013-313		10"	64107-008		1"	79814-000
24K	10"	80888-201	34013-314	82380-251	9.5"	64107-007	22962-051	---	---
	11"	80888-202	34013-315		10.5"	64107-009		1"	79814-000

**⚠ WARNING** USE 1" FLAT WASHERS (PART NO. 22962-051) ONLY AS SPECIFIED IN TABLE 1 (LEAF SPRING ASSEMBLY AND COMPONENTS). THE TABLE LISTS DIFFERENT CONFIGURATIONS FOR THIS ASSEMBLY. IN CERTAIN CONFIGURATIONS, THE CLAMP GROUP REQUIRES THE USE OF 1" FLAT WASHERS (PART NO. 22962-051) WITH THE SPECIFIED 1" HEX BOLT LENGTH, BUT NOT IN OTHER CONFIGURATIONS. IMPROPER CLAMP FORCE IN THE LEAF SPRING AND CLAMP GROUP ASSEMBLY, IMPROPER SEATING AND COMPONENT DAMAGE CAN CAUSE LOSS OF VEHICLE CONTROL, ADVERSE VEHICLE HANDLING, PROPERTY DAMAGE AND PERSONAL INJURY.

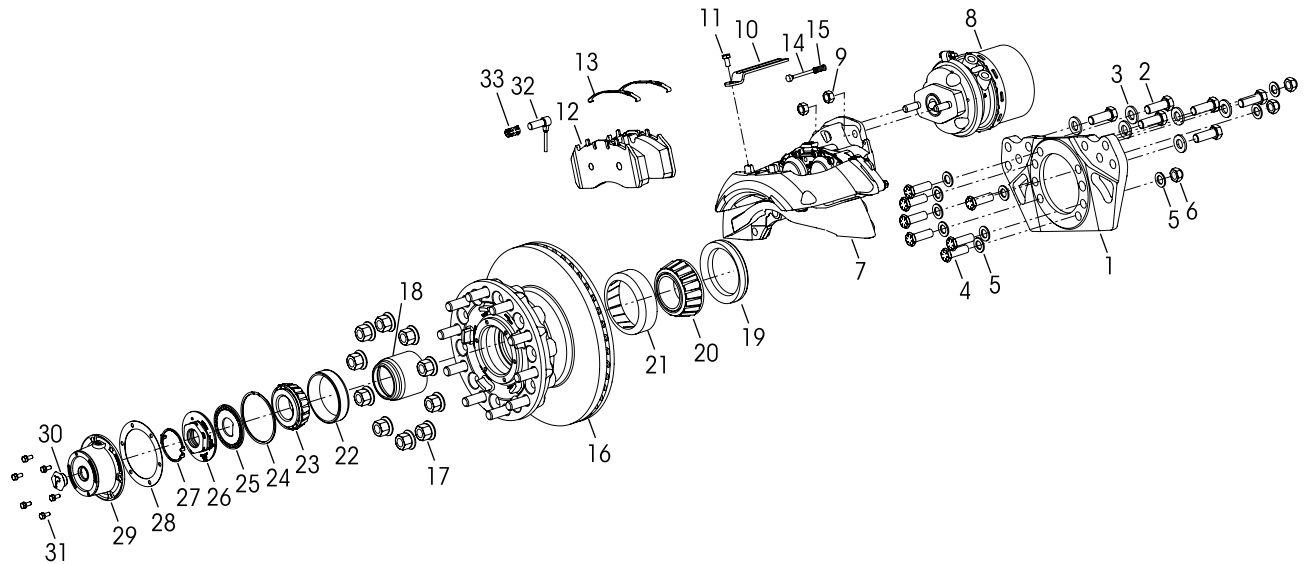
**TABLE 2** Axle and Tie Rod Arm Assembly

Wheel Base	STEERTEK NXT	Tie Rod Arm Assembly	
	Axle Assembly Key No. 38	Left Hand Key No. 60	Right Hand Key No. 61
140"-170"	80886-001	77244-057	77244-058
171"-200"	80886-002	77244-059	77244-060
201"-230"	80886-003	77244-061	77244-062
231"-270"	80886-004	77244-063	77244-064



Air Disc Brake Assembly

KME Tractor Drawn Aerial (TDA) Trailer



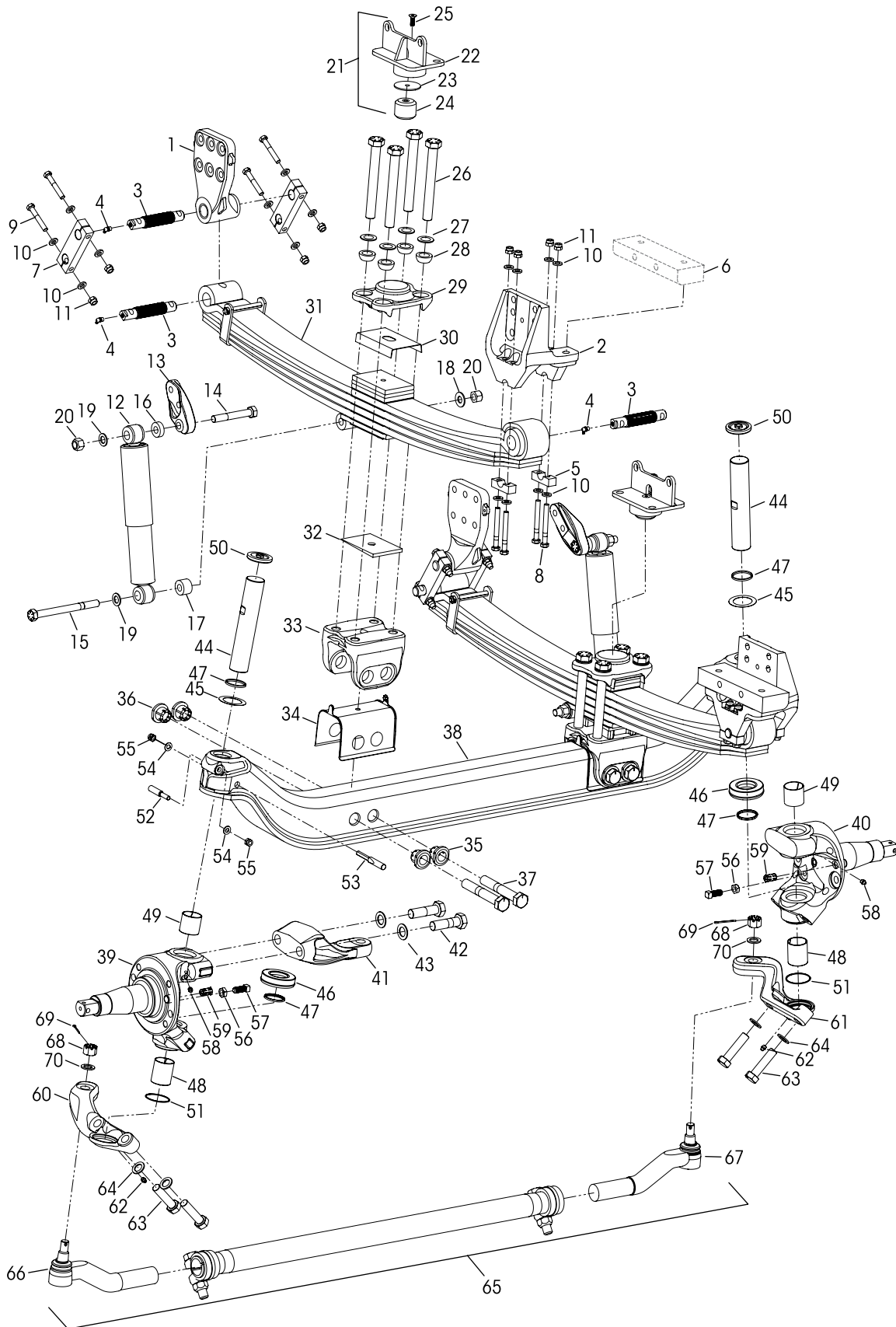
KEY NO.	PART NO.	DESCRIPTION	VEHICLE QTY.
1		*Meritor Torque Plate Assembly Left Hand, Part No. 3215-C-2317 Right Hand, Part No. 3215-D-2318	1
2	69781-002	M20 Hex Head Bolt, 55 mm	12
3	58246-018	M20 Flat Washer, <i>Replaces 58246-039</i>	12
4	80345-004	3/4"-16 UNC x 2 1/4" Low Profile Hex Head Bolt	14
5	22962-001	3/4" Flat Washer	20
6	80691-001	3/4"-16 UNC Hex Nut	6
7		*Meritor Caliper Assembly, Includes Key Nos. 10-11, 14-15 Left Hand, Part No. EX225H201XX000S Right Hand, Part No. EX225H202XX000S	1
8		*WABCO Air Brake Chamber 24/24, Includes K80131-001 Key No. 9 Left Hand, Part No. 9254813780 Right Hand, Part No. 9254813770	1
9		*Hex Nut *Meritor Disc Brake Pad Retainer Kit No. 225281, Includes Key Nos. 10-11 *Meritor Disc Brake Pad Kit No. 2252H2CG, Includes Key Nos 12-13 *Meritor Wear Indicator Kit No. 225224, Includes Key Nos. 14-15	4
10		*Pad Retainer	
11		*Pad Retainer Bolt	
12		*Air Disc Brake Pad	
13		*Air Disc Brake Pad Spring	
14		*Wear Indicator	
15		*Wear Indicator Spring	

KEY NO.	PART NO.	DESCRIPTION	VEHICLE QTY.
16		*Conmet Hub and Rotor Assembly, Includes Bearings and Seals, Part No. 10083224 *Conmet Brake Rotor Replacement Kit No. 10082181, One Wheel End, Includes Rotor and 10 of each Cap Screws and Washers	2
17		**M22 x 1.5 Two-piece Wheel Nut *Conmet Hub Bearing Rebuild Kit No. 10081728, One Wheel End, Includes Key Nos. 18-23 *Conmet Wheel Seal Kit No. 10081519, One Wheel End, Includes Key Nos. 18-19	20
18		*Bearing Spacer Part No. 10034342	
19		*Wheel Seal Part No. 10045883	
20		*Inner Bearing Cone Part No. 10041922	
21		*Inner Bearing Cup Part No. 10041921	
22		*Outer Bearing Cup Part No. 10041923	
23		*Outer Bearing Cone Part No. 10041924 *Conmet Preset Plus FL Nut Assembly Kit No. 10036550, Includes Key Nos. 24-27	
24		*Snap Ring - Double Wind Part No. 10033288	
25		*Spindle Nut Lockwasher Part No. 10031171	
26		*Outer Spindle Nut Part No. 10031170	
27		*Snap Ring Retainer Part No. 10031172	
28		*Drivparts Hub Cap Gasket No. G-3009	2
29		*Drivparts Hub Cap Part No. 343-009, Includes Key No. 30	2
30		*Rubber Plug	
31	64545-002	5/16"-18 UNC x 3/4" Hex Bolt with Retained Washer	12
32		*WABCO ABS Sensor Part No. 441-032-900-0	2
33	64550-000	ABS Sensor Clip	2



Suspension • Clamp Group • Axle Assembly

KME Tractor Drawn Aerial (TDA) Trailer







# STEERTEK™ NXT High Capacity Steer Axle System for KME TDA Trailer

			VEHICLE				VEHICLE
KEY NO.	PART NO.	DESCRIPTION	QTY.	KEY NO.	PART NO.	DESCRIPTION	QTY.
1	80159-001	Frame Hanger	2	93409-001		STEERTEK NXT High Capacity Axle Assembly	
2	79894-006	Front with Bushing	2			Fire & Rescue TDA (Tractor Drawn Aerial),	
		Rear	2			Includes Key Nos. 38-44, 46-47, 50-69	
		<b>Frame Hanger Fastener Service Kit, One Side</b>		38	77284-089	Axle	1
	34013-247	Rear, Includes Key Nos. 5, 8, 10-11				Knuckle Assembly, Includes Key Nos. 47, 56-59	
	34013-248	Front, Includes Key Nos. 3-4, 7, 9-11		39	77243-002	Left Hand	1
	34013-249	<b>Single Threaded Pin and Grease Zerk Service Kit, Includes Key Nos. 3-4</b>		40	77243-101	Right Hand	1
3		*Threaded Pin	6	41	79685-007	Steering Arm	1
4		*Grease Zerk	6	42	30550-027	1"-14 UNF x 3½" Hex Bolt	2
5	79843-000	Rear Hanger Bottom Cap	4	43	22962-051	1" Flat Washer	2
6		**Frame Hanger Spacer	2			<b>Kingpin Service Kit, One Side</b>	
7	79888-001	Front Shackle	4			Includes Key Nos. 44, 45a, 46-55, 63-64	
8	80362-001	½"-20 UNC x 4½" Hex Bolt	8	44		*Kingpin	2
9	80362-002	½"-20 UNC x 3¼" Shackle Hex Bolt	8	45		Kingpin Shim (As needed for service)	2
10	22962-014	½" Flat Washer	32	a	77241-002	0.01" Thickness	
11	17700-034	½"-20 UNF-2B Nut	16	b	77241-003	0.02"	
12	80606-001	Shock Absorber	2	46	75918-001	Thrust Bearing	2
13	78250-002	Shock Bracket	2	47	75966-001	Kingpin Seal	4
14	50764-008	¾"-10 UNC x 5" Upper Shock Hex Bolt	2			Kingpin Bushing	
15	50764-014	¾"-10 UNC x 8½" Lower Shock Hex Bolt	2	48	75919-001	Lower, 2½" Length	2
		Shock Spacer		49	75919-002	Upper, 2" Length	2
16	59946-006	Upper, 13.2 mm Thick	2	50	77209-001	Grease Cap	2
17	59946-015	Lower Outboard, 28 mm Thick	2	51	68303-004	O-Ring	2
18	59946-005	Lower Inboard, 3 mm Thick	2			Kingpin Draw Key	
19	22962-001	¾" Flat Washer	4	52	75925-001	Upper, 3¾" Length	2
20	49842-000	¾"-10 UNC Nut	4	53	75925-002	Lower, 4¾" Length	2
21	79854-000	Jounce Stop Assembly, Includes Key Nos. 22-25	2	54	22962-054	7/16" Flat Washer	4
22	80168-000	Jounce Stop	2	55	17700-008	7/16"-14 UNC-2B Nut	4
23	80175-000	Spacer	2	56	17491-023	5/8"-11 UNC-2B Jam Nut	2
	34013-505	<b>Jounce Stop Service Kit, One Side, Includes Key Nos. 24-25</b>		57	80183-000	5/8"-11 UNC x 1 ½" Set Screw	2
24	80176-000	Rubber Bump Stop	2	58	33117-000	Grease Zerk	2
25	80177-000	M10 x 1.5 x 30 mm Flat Socket Cap Screw	2	59	64246-000	ABS Sensor Sleeve	2
	93411-001	Leaf Spring & Clamp Group Assembly, Includes Key Nos. 26-37	2			Tie Rod Arm Assembly, Includes Key No. 62	
	34013-419	<b>Clamp Group Service Kit, One Side, Includes Key Nos. 26-28, 30</b>		60	77244-040	Left Hand	1
26	64107-001	1"-8 UNC x 8" Hex Bolt	8	61	77244-039	Right Hand	1
27	22962-051	1" Flat Washer	8	62	33117-000	Grease Zerk	2
28	78356-002	1" Spherical Washer	8	63	30418-014	7/8"-14 UNF x 3½" Hex Bolt	4
29	78888-000	Top Pad	2	64	22962-002	7/8" Flat Washer	4
30	79273-001	Spring Liner	2	65	79365-001	Tie Rod Assembly, 20K Drop, Includes Key Nos. 66-68	1
31	82380-252	Leaf Spring Assembly	2			<b>Tie Rod End Service Kits, Straight</b>	
32	80143-002	Caster Wedge - 3°	2	60961-884		Axle Set, Includes Kit Nos. 60961-883 and -882	
33	77232-000	Axle Seat	2	60961-883		Left Hand, Includes Key Nos. 66, 68-70	
	34013-229	<b>Axle Clamp Collar Service Kit, One Side Includes Key Nos. 34-37</b>		60961-882		Right Hand, Includes Key Nos. 67-70	
34	78887-001	Axle Seat Liner	2			*Tie Rod End, Includes Key No. 68	
		*Axle Collar		66		Left Hand	1
35		Non Threaded	4	67		Right Hand	1
36		Threaded	4	68		*7/8"-14 UNF-2A Castle Nut	2
37		*1"-8 UNC x 6½" Hex Thru Bolt	4	69		*Cotter Pin	2
				70		*7/8" Flat Washer	2

**NOTES:** \* Item included in kit/assembly only, part not sold separately.

\*\* Not supplied by Hendrickson, used for reference only. Hendrickson is not responsible for components supplied by the vehicle manufacturer. For assistance with maintenance and rebuild instructions on these components, see vehicle manufacturer.

This is a general parts list to provide directional information. Components may vary by model. Questions in regards to parts, contact Hendrickson Truck Parts at 1.866.755.5968 (Toll-free U.S. and Canada), 630.910.2800 (Outside U.S. and Canada) or email: [truckparts@hendrickson-intl.com](mailto:truckparts@hendrickson-intl.com).  
Actual product performance may vary depending upon vehicle configuration, operation, service and other factors.  
All applications must comply with applicable Hendrickson specifications and must be approved by the respective vehicle manufacturer with the vehicle in its original, as-built configuration.  
Contact Hendrickson for additional details regarding specifications, applications, capacities, and operation, service and maintenance instructions.

**Call Hendrickson at 1.866.755.5968 (toll-free) or 1.630.910.2800 for additional information.**



[www.hendrickson-intl.com](http://www.hendrickson-intl.com)

**TRUCK COMMERCIAL VEHICLE SYSTEMS**  
800 South Frontage Road  
Woodridge, IL 60517-4904 USA  
1.866.755.5968 (Toll-free U.S. and Canada)  
1.630.910.2800 (Outside U.S. and Canada)  
Fax 1.630.910.2899

SP-305 Rev E 11-24

© 2018 – 2024 Hendrickson USA, L.L.C. All Rights Reserved. All trademarks shown are owned by Hendrickson USA, L.L.C., or one of the affiliates, in one or more countries.

Information contained in this literature was accurate at the time of publication. Product changes may have been made after the copyright date that are not reflected.

Printed in United States of America