

H PARTS LIST

PRIMAAX[®] EX Rear Air Suspension for Spartan RV Chassis

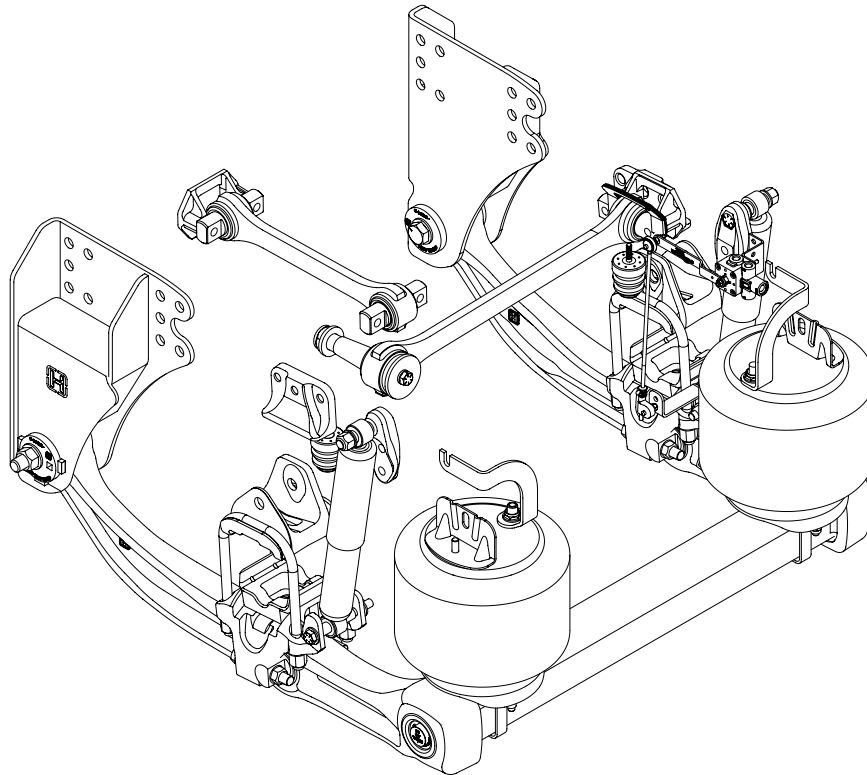
LIT NO: SP-342

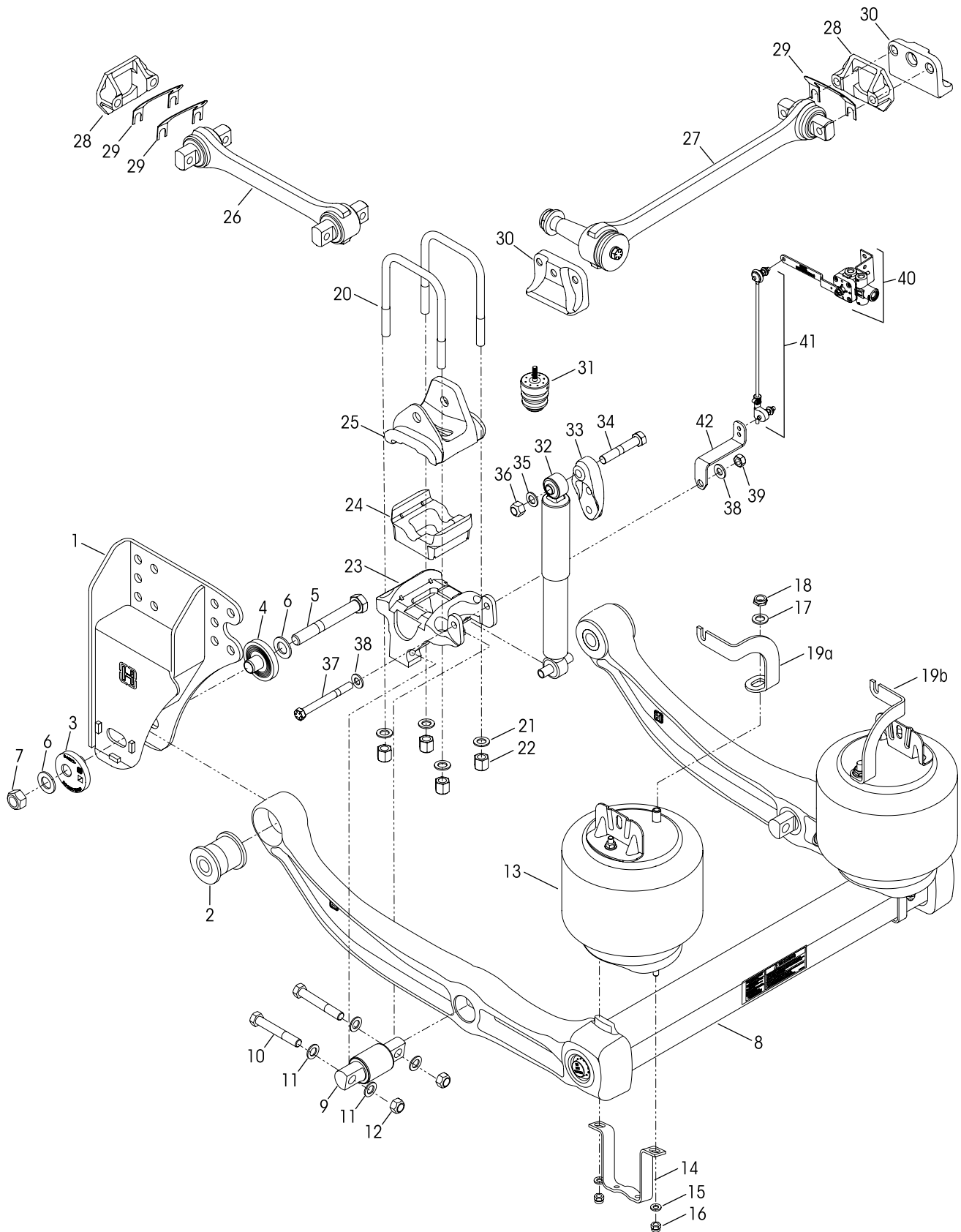
DATE: January 2021

REVISION: A

CONTENTS

DESCRIPTION	PAGE
Parts List	2
Special Tools	4







KEY NO.	PART NO.	DESCRIPTION	VEHICLE QTY.	KEY NO.	PART NO.	DESCRIPTION	VEHICLE QTY.
1		Frame Hanger			91430-041	U-bolt Service Kit, One Wheel End, Includes Key Nos. 20 and Kit No. 48718-501	
	78542-003	Left Hand	1				
	78542-004	Right Hand	1	20		*3/4"-16 UNF x 10 7/8" Square U-bolt	4
	60961-720	QUIK-ALIGN® Pivot Bushing Service Kit, One Wheel End, Includes Keys Nos. 2-7, 43			48718-501	U-bolt Fastener Kit, One Wheel End, Includes Key Nos. 21-22	
	60632-019	QUIK-ALIGN Collar Service Kit, One Wheel End, Includes Keys Nos. 3-7		21		*3/4" Flat Washer	8
	60632-018	QUIK-ALIGN Fastener Service Kit, One Wheel End Includes Keys Nos. 5-7		22		*3/4"-16 UNF U-bolt Locknut	8
2		*QUIK-ALIGN Pivot Bushing	2	23	60556-025	Bottom Cap	2
3		*QUIK-ALIGN Eccentric Collar	2	24	65139-003	Axle Spacer	2
4		*QUIK-ALIGN Concentric Collar	2	25	60877-001	Top Pad	2
5		*1"-14 UNF x 7 1/2" H-Coat Hex Bolt	2	26	8240-0000-425	Longitudinal TRAAX ROD® Assembly, Straddle/Straddle	1
6		*1" H-Coat Flat Washer	4	27	8244-0099-640	Transverse TRAAX ROD Assembly Straddle/Taper	1
7		*1"-14 UNF H-Coat Locknut	2	28	22186-000	Torque Rod Bracket	2
8	67249-038	U-Beam Assembly, Includes Key Nos. 2, 9	1	29	49689-000	Shim (as required)	6
		D-pin Bushing Service Kits		30	60593-000	Axle Stop, Frame Mounted	2
	34013-107	Single, Includes Key Nos. 9-12		31	66308-001	Bumper Jounce	2
	56659-009	Fasteners Only, Axle Set, Includes Key Nos. 10-12		32	60665-014L	Shock Absorber	2
9		*D-pin Bushing	2	33	67463-002	Upper Shock Bracket	2
10		*3/4"-16 UNF x 5" Hex Bolt	4		50754-030	Single Shock Absorber Fastener Service Kit Includes Key Nos. 34-39	
11		*3/4" Flat Washer	8	34	50764-010	3/4"-10 UNC 2A x 4 1/4" Hex Bolt	2
12		*3/4"-16 UNF Locknut	4	35	22962-001	3/4" Flat Washer	2
13	67392-002	Air Spring Assembly	2	36	49842-000	3/4"-10 UNC 2B Locknut	2
14	60911-002	Lower Air Spring Mounting Bracket	2	37	32043-017	5/8"-1 UNC 2A x 6" Lower Shock Bolt	2
		Single Air Spring Fastener Service Kit,		38	22962-004	5/8" Flat Washer	4
	49177-024	Upper/Lower, Includes Key Nos. 15-18		39	47764-000	5/8"-11 UNC 2B Locknut	2
	49177-006	Lower, Includes Key Nos. 15-16		40	57977-000	***Height Control Valve Assembly	1
15		*1/2" Flat Washer	4	41	58994-005L	HCV Linkage Assembly	1
16		*1/2"-13 UNC Locknut	4	42	60921-000	HCV Linkage Bracket	1
17		*3/4" Flat Washer	2	43	70867-001	P-80 Lubricant 10 ml (Not Shown) per Bushing	1
18		*3/4"-16 UNF Locknut	2				
19		Upper Air Spring Gusset					
a	59479-003	Left Hand	1				
b	59479-004	Right Hand	1				

NOTES: * Item included in kit/assembly only, part not sold separately.

** Longitudinal and transverse TRAAX ROD bushings are non-serviceable, the entire torque rod assembly requires replacement. Visit the TRAAX ROD website www.traaxrods.com for more information.

*** Hendrickson supplies **mechanical** height control valves. If equipped with an **electronic** height control valve, it is supplied by the vehicle manufacturer, refer to the vehicle manufacturer for more information.

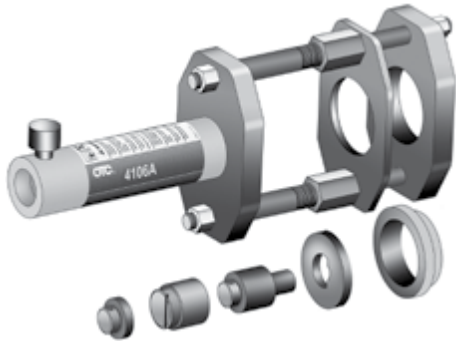


■ Special Tools

D-PIN / QUIK-ALIGN BUSHING SERVICE TOOLS

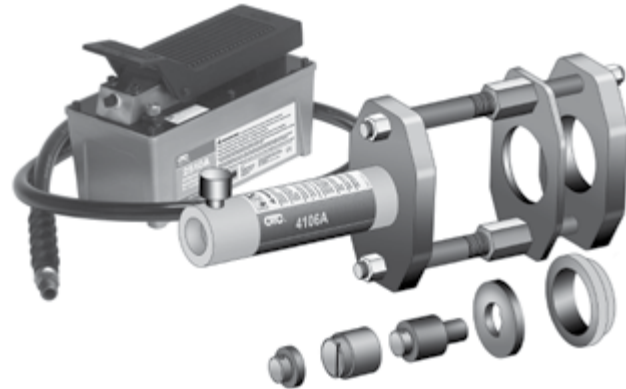
Hendrickson Part No. 66086-202

OTC Part No. 4246 Visit otctools.com



Hendrickson Part No. 66086-204

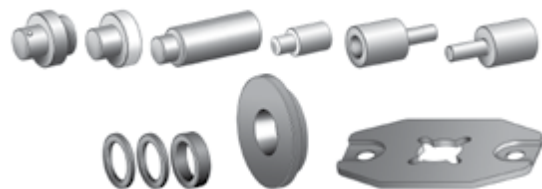
OTC Part No. 4247 Visit otctools.com



Hendrickson Part No. 66086-205

OTC Part No. 4254 Visit otctools.com

NOTE: In conjunction with Hendrickson Part No. 66086-204 (OTC 4247) this additional adapter tool kit is available to purchase to be used on Hendrickson SOFTEK NXT suspension (not needed for this suspension)



QUIK-ALIGN BUSHING SERVICE TOOL

Hendrickson Part No. 66086-203L

Reference Literature No. 59310-061



QUIK-ALIGN SOCKET TOOL

Hendrickson Part No. 66086-200

OTC Part No. 1767

Visit otctools.com



This is a general parts list to provide directional information. Components may vary by model. Questions in regards to parts, contact Hendrickson Truck Parts at 1.866.755.5968 (Toll-free U.S. and Canada), 630.910.2800 (Outside U.S. and Canada) or e-mail: truckparts@hendrickson-intl.com. Actual product performance may vary depending upon vehicle configuration, operation, service and other factors. All applications must comply with applicable Hendrickson specifications and must be approved by the respective vehicle manufacturer with the vehicle in its original, as-built configuration. Contact Hendrickson for additional details regarding specifications, applications, capacities, and operation, service and maintenance instructions.

Call your truck dealer or Hendrickson at **1.866.755.5968** (toll-free) or **1.630.910.2800** for additional information.



www.hendrickson-intl.com

SP-342 Rev A 01-21

© 2021 Hendrickson USA, L.L.C. All Rights Reserved. All trademarks shown are owned by Hendrickson USA, L.L.C., or one of the affiliates, in one or more countries. Information contained in this literature was accurate at the time of publication. Product changes may have been made after the copyright date that are not reflected.

TRUCK COMMERCIAL VEHICLE SYSTEMS
 800 South Frontage Road
 Woodridge, IL 60517-4904 USA
 1.866.755.5968 (Toll-free U.S. and Canada)
 1.630.910.2800 (Outside U.S. and Canada)
 Fax 1.630.910.2899