

Asia Pacific Region Only

H **PARTS LIST**
TIREMAAX™ TYRE INFLATION SYSTEM

LIT NO: 97114-116

DATE: June 2024

REVISION: H

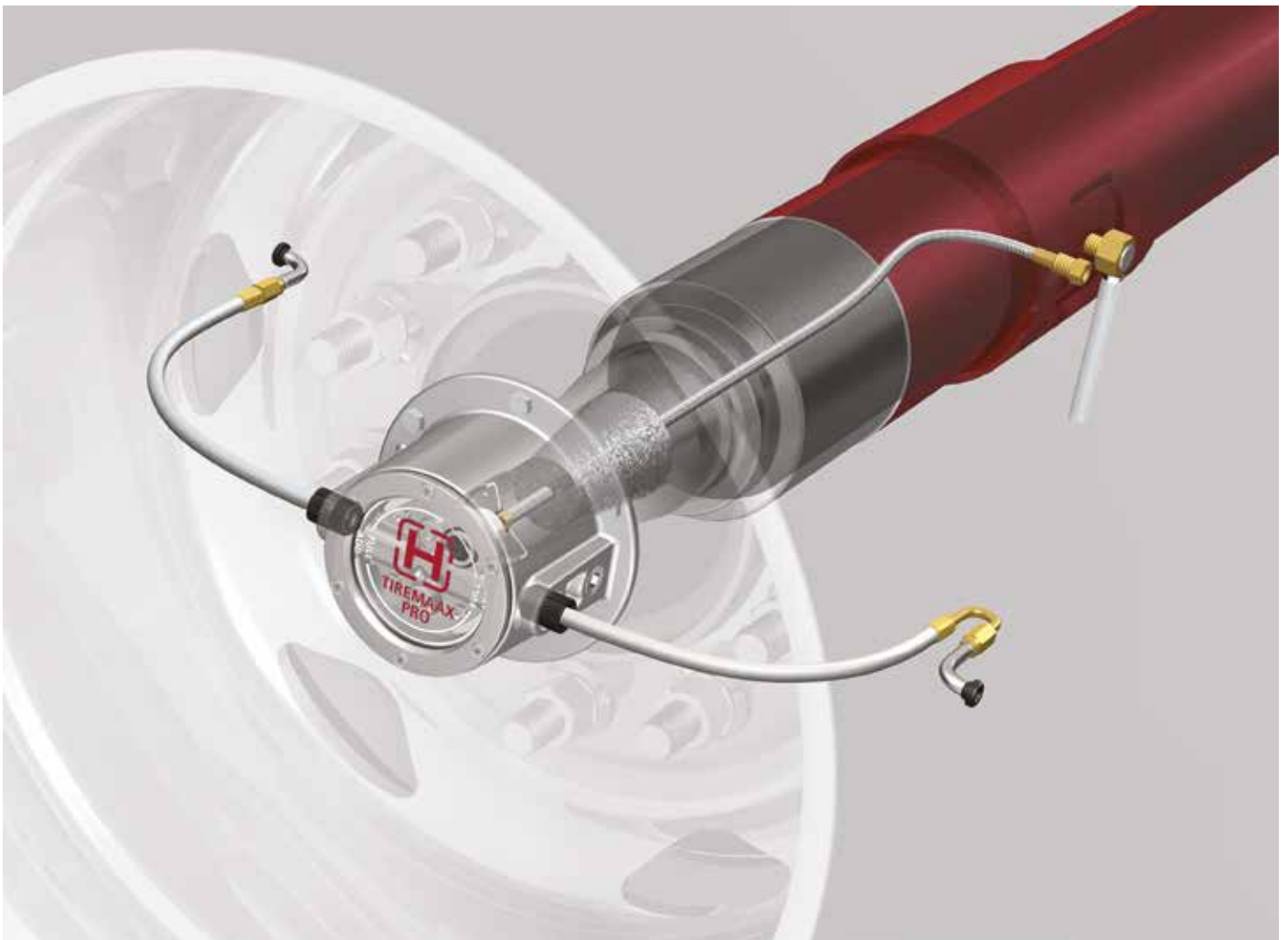




TABLE OF CONTENTS

ABBREVIATIONS.....2

INTRODUCTION.....3

SYSTEM IDENTIFICATION.....3

CONTROLLER BOX.....4

INDICATOR LAMP, WIRING & DAMPING TANK.....5

WHEEL HOSES – TIREMAAX PRO & PRO-LB.....6

 TIREMAAX PRO & PRO-LB THERMOPLASTIC HOSE KITS.....6

 TYRE HOSE O-RINGS & GROMMETS.....6

 TIREMAAX PRO & PRO-LB THERMOPLASTIC INDIVIDUAL HOSE SELECTION.....7

AXLE HOSES & HARDWARE – TIREMAAX PRO & PRO-LB.....8

TIREMAAX PRO & PRO-LB HUBCAPS.....9

WHEEL HOSES – TIREMAAX EC OR CP (EARLY TYPE).....10

AXLE HOSES & HARDWARE – TIREMAAX EC OR CP (EARLY TYPE).....11

FRAME HOSES & HARDWARE.....12

SPECIAL TOOLS.....13

Document Interactivity

The interactive **Table of Contents** allows users to quickly navigate to the appropriate page with a single mouse click. The **INDEX** button at the bottom of each page returns you to the **Table of Contents**. Other links within the document are identified by black underlined text, whereas links to external websites are identified by blue underlined text.

ABBREVIATIONS

Abbreviations used in this document may include the following terms:

- AR – As Required
- Assy – Assembly
- NLA – No Longer Available
- NSS – Not Serviced Separately



INTRODUCTION

The purpose of this parts list is to document the repair parts available for Hendrickson TIREMAAX™ EP and CP tyre pressure control and TIREMAAX PRO and TIREMAAX PRO-LB Load Based tyre pressure control systems for Australia, New Zealand and Asia Pacific regions only.

For wheel end components, please also refer to [97114-100](#) Wheel End Systems Parts List.

NOTE: All quantities listed within this parts list are as applicable for a single axle.

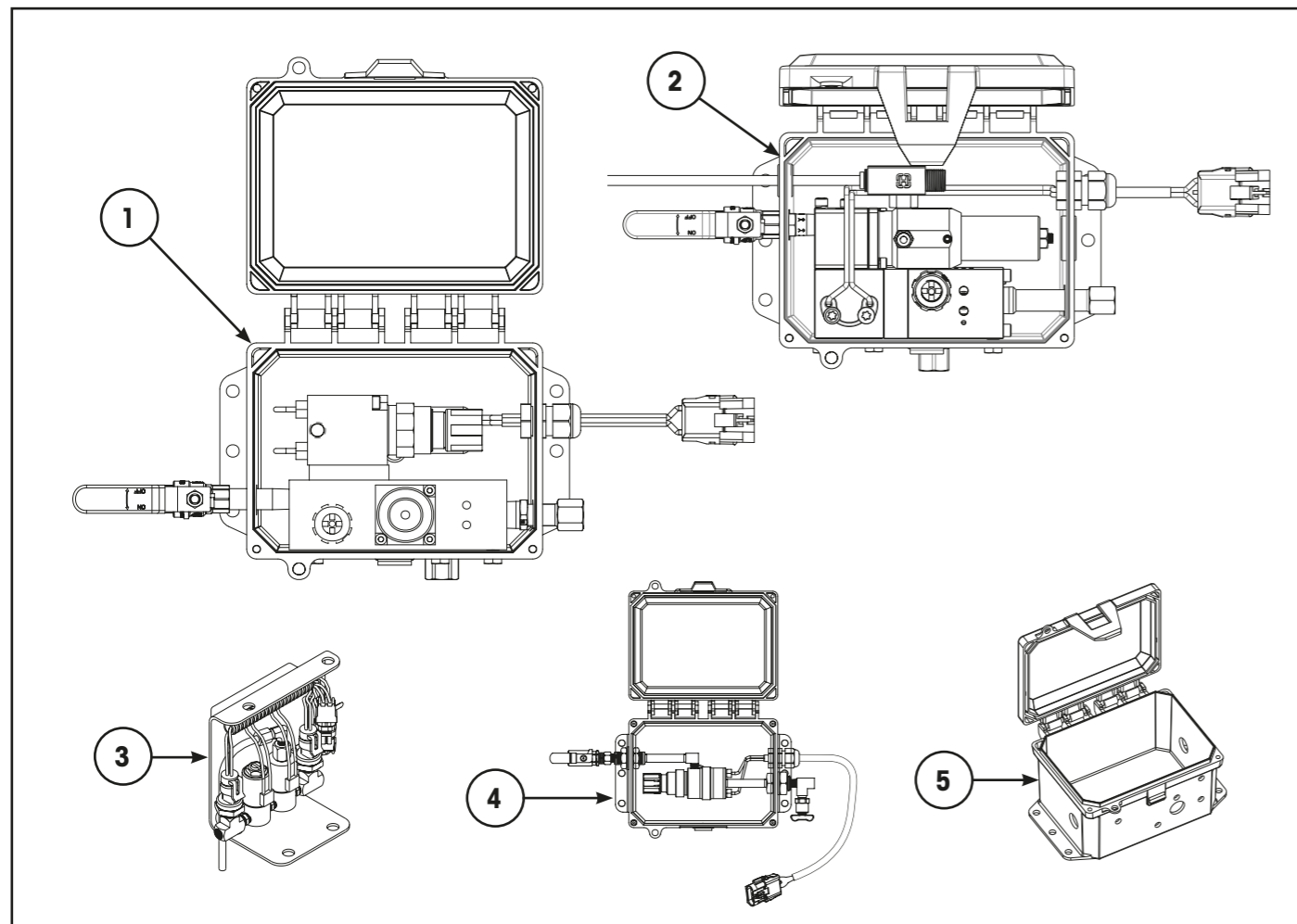
SYSTEM IDENTIFICATION

Four TIREMAAX™ systems have been available in Australia. Only the PRO and PRO-LB are still in production.

System	Description	Hubcap Style	Controller
TIREMAAX EP Electronic Pressure (Legacy)	Electronic controlled tyre pressure. These were discontinued in 2012 and few, if any, are still in use. They use the same hubcap as the CP, but with a different controller that contains solenoids.		
TIREMAAX CP Constant Pressure (Legacy)	Supplies constant pressure to tyres. Also discontinued in 2012. There are still some units in use. However, not all parts are still available. The controller has only two air line connections.		
TIREMAAX PRO	Advanced automatic tyre pressure control system that actively inflates or relieves tyre pressure to a pre-set level. The PRO uses three air line connections.		
TIREMAAX PRO-LB Load Based	Tyre pressure is altered depending on axle load. Hubcaps are a similar design to the PRO but can be identified by PRO-LB decal. The controllers have different internal components and a fourth air line connection for air spring pressure.		



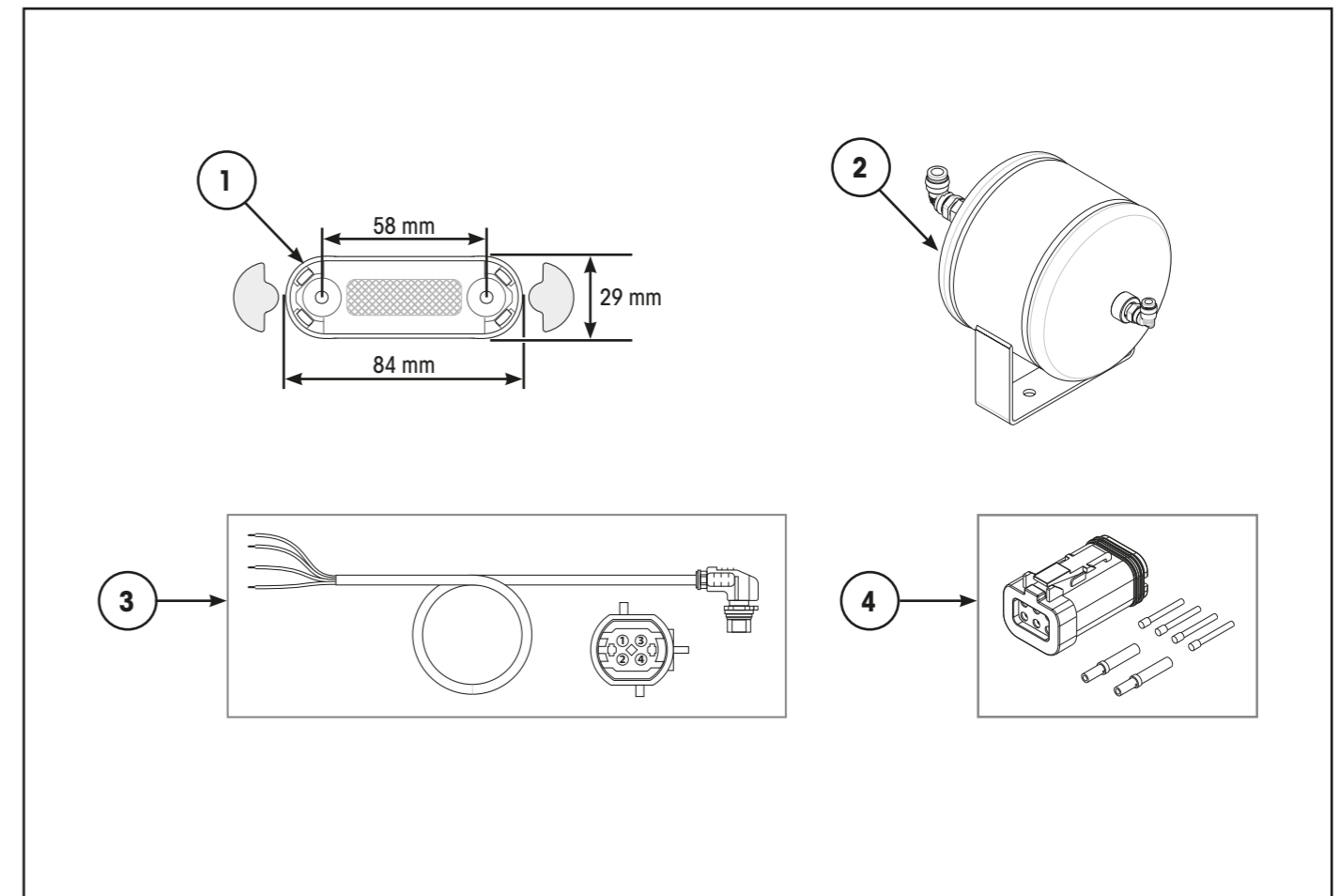
CONTROLLER BOX



Item	Part Number	Description	Qty	Notes
1	PRO6085-1A	Controller Assembly – TIREMAAX PRO, 85 PSI	1	85 PSI
	PRO6090-1A	Controller Assembly – TIREMAAX PRO, 90 PSI	1	90 PSI
	PRO6095-1A	Controller Assembly – TIREMAAX PRO, 95 PSI	1	95 PSI
	PRO6100-1A	Controller Assembly – TIREMAAX PRO, 100 PSI	1	100 PSI
	PRO6105-1A	Controller Assembly – TIREMAAX PRO, 105 PSI	1	105 PSI
	PRO6110-1A	Controller Assembly – TIREMAAX PRO, 110 PSI	1	110 PSI
2	C-41730-1	Controller Assembly – TIREMAAX PRO-LB – 23k	1	23k 22.5" Dual Wheels
	C-41730-2	Controller Assembly – TIREMAAX PRO-LB – 25k	1	25k 22.5" Dual Wheels
	C-41730-3	Controller Assembly – TIREMAAX PRO-LB – 23k SS	1	23k 22.5" Super Single
	C-41730-4	Controller Assembly – TIREMAAX PRO-LB – 25k SS	1	25k 22.5" Super Single
3	S-28191-100	Controller – TIREMAAX EC, 100 PSI	1	Up to 2012.
4	CP-6090-1	Controller Assembly – TIREMAAX CP, 90 PSI	1	Up to 2012.
5	98732-068	Enclosure Box with Lid – PRO	1	Includes blank lid pressure decal.
	98732-069	Enclosure Box with Lid – PRO-LB	1	Includes blank lid pressure decal.



INDICATOR LAMP, WIRING & DAMPING TANK



Item	Part Number	Description	Qty	Notes
1	98606-352	LED Indicator Lamp – 12/24 Multi-Volt	1	[1] Assembly includes short wiring harness.
2	B-40695	Damping Tank – TIREMAAX PRO-LB	1	Includes air fittings.
3	98831-008	EBS Connector & Harness – Wabco 4-Pin.	1	[2] Includes wiring harness.
4	98831-009	EBS Connector Plug – Knorr-Bremse 6-Pin.	1	[2] Includes 2 contact pins & 4 blanking pins.

[1] NOTE: Multi-volt LED indicator lamps, item 1, are suitable for retrofit to earlier systems. However, they require changed mounting holes (refer dimension shown) and a dedicated earth connection to vehicle ground to ensure reliable lamp operation.

[2] NOTE: Functionality of EBS connectors, items 3 and 4, require configuration of the relevant EBS module parameters. Refer to technical bulletin [97117-294](#) for assistance with trailer wiring.



WHEEL HOSES – TIREMAAX PRO & PRO-LB

Refer to Individual Hose Selection table on page 7 for individual hose part numbers and colour of identification tag.

TIREMAAX PRO & PRO-LB THERMOPLASTIC HOSE KITS

Wheel Style	Tyre	Wheel Material	Qty	Part Number	Kit Contents
Dual	19.5"	Aluminium	1	TM8302	(2) VS-33767-4 and (2) VS-33769-1
		Steel or Combo	1	TM8303	(2) VS-33767-2 and (2) VS-33769-3
	22.5"	Aluminium (Excluding ULT36)	1	TM8304	(2) VS-33767-5 and (2) VS-33769-1
		Steel or Combo	1	TM8305	(2) VS-33767-1 and (2) VS-33769-1
Super Single	22.5"	Alcoa ULT36 [1]	1	98732-070	(2) VS-33767-2, (2) VS-41701-1 hoses and (8) VS-41770 stabilising grommets
		Aluminium	1	TM8307	(2) VS-33767-3 straight hose kit.
		Steel (Inboard Stem)	1	TM8307	(2) VS-33767-3 straight hose kit.
		Steel (Outboard Stem)	1	TM8308	(2) VS-33769-1 180° hose kit.

TYRE HOSE O-RINGS & GROMMETS

Part Number	Description	Qty	Notes
VS-34935	Kit, Hose O-ring Service	AR	Kit contains 10 x O-rings.
VS-41770	ULT36 Stabilising Grommets	AR	For Alcoa ULT36 Wheels. 2 required per aluminium wheel. Refer note [1].



TIREMAAX PRO & PRO-LB THERMOPLASTIC INDIVIDUAL HOSE SELECTION

Wheel Style	Tyre	Wheel Material	Position	Fitting	Thermoplastic	Length "L" ±7mm	ID Tag Colour
Dual	19.5"	Aluminium	Inner	Straight	VS-33767-4	325 mm	Bright Pink
			Outer	180-Degree	VS-33769-1	279 mm	White
		Steel or Combo	Inner	Straight	VS-33767-2	368 mm	Blue
			Outer	180-Degree	VS-33769-3	236 mm	Tan
	22.5"	Aluminium	Inner	Straight	VS-33767-5	356 mm	Pink
			Outer	180-Degree	VS-33769-1	279 mm	White
		Steel or Combo	Inner	Straight	VS-33767-1	394 mm	Green
			Outer	180-Degree	VS-33769-1	279 mm	White
		Alcoa ULT36 [1] All Aluminium	Inner	Straight	VS-33767-2	368 mm	Blue
			Outer	110-Degree	VS-41701-1	262 mm	Yellow
Alcoa ULT36 [1] Steel Combo	Inner	Straight	VS-33767-1	394 mm	Green		
	Outer	110-Degree	VS-41701-1	262 mm	Yellow		
Super Single	22.5"	Aluminium [2]	-	Straight	VS-33767-3	285 mm	Red
		Steel	Outward Facing Stem	Straight	VS-33767-3	285 mm	Red
			Inward Facing Stem	180-Degree	VS-33769-1	279 mm	White

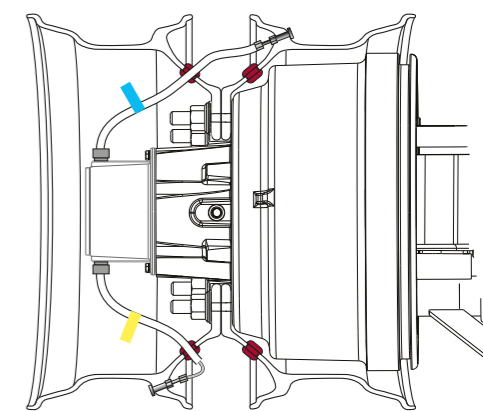
STEEL BRAIDED HOSES NOTE

Previous steel braided hoses are no longer available. All hose lengths have been reviewed and been amended to best suit each application. Therefore, the old hoses do not have a direct replacement. The Hose Selection table must be used to determine which hose would best suit your application.

[1] NOTE: Alcoa ULT36 aluminium wheels require removal of any Alcoa valve extensions and stabilising grommets. These must be replaced with Hendrickson hoses and grommets. Refer to image for installation locations.

The straight hose (blue label) must be attached to the inner tyre valve without an extension. The 110 degree hose (yellow label) must be attached directly onto the outer tyre valve, also without an extension.

The stabilising grommets (shown in red) are used to support the hoses passing through the wheel openings of ULT36 aluminium wheels. They must be installed in the locations shown the diagram. It is recommended that grommets are also installed in the inner wheels for use when the wheels are rotated as part of normal servicing. This requires 8 grommets per axle for all aluminium or 4 per axle for a steel/aluminium combo.

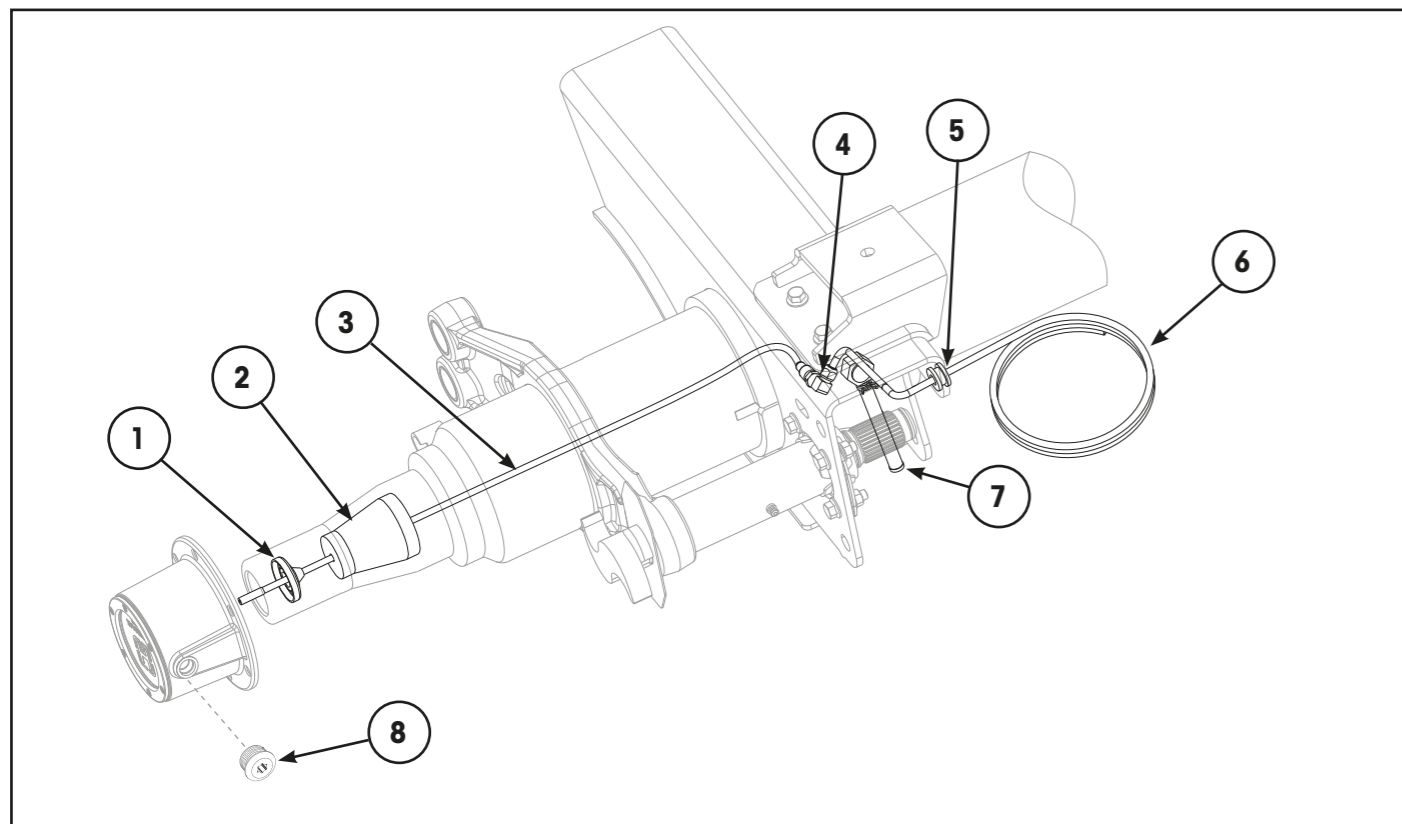


ULT36 Hose & Grommet Locations

[2] NOTE: For aluminium zero-offset wheels with an outward facing stem, the tyre hose listed for steel (with an outward facing stem) can be used.



AXLE HOSES & HARDWARE – TIREMAAX PRO & PRO-LB

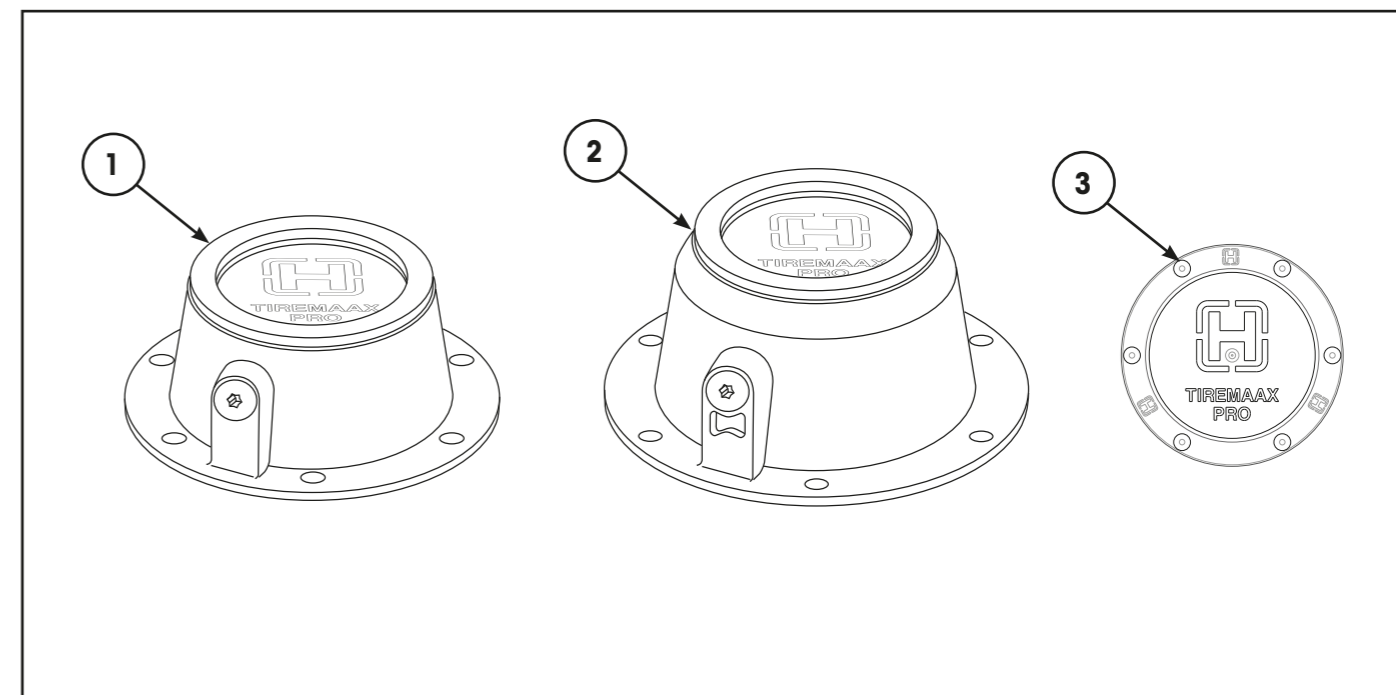


Item	Part Number	Description	Qty	Notes
1	VS-33092-1	Plug, Kit – HN Spindle. Plug & Filter Kit.	2	Includes filter, item 2. Included in item 10.
	B-31289	Plug, End – HP Spindle	2	Included in item 10.
2	S-24217	Filter, Axle – HN & HP Spindle	2	Included in item 10.
3	NSS	Hose, Axle – TIREMAAX, LH	1	Use Item 10.
	NSS	Hose, Axle – TIREMAAX, RH	1	Use Item 10.
4	SA-4300-8	Fitting, 90 Degree – 1/4 Inch OD Tube x 1/8" NPTF	2	Standard. Included in item 10.
	98418-011	Fitting, 90 Degree – M&F 1/8" NPTF	2	Suits trailer steerable disc brake.
5	S-23738	Grommet, Hose	2	Included in item 10.
6	SA-6400-2	Hose, Nylon – 1/4 Inch OD x 9150 mm Long	1	Included in item 10.
7	A-32101	Vent Assembly – INTRAAX, CONNEX ST, Disc Steer	1	Included in item 10.
	A-32101-1	Vent Assembly – TRLAXLE	1	Included in item 10.
8	VS-33686	Port Blanking Plug – 3/4"-20 UNEF	2	Includes O-ring.
9	SA-4200-11	Fitting, Straight - 1/4 Inch OD Tube x 1/8" NPT	2	Not illustrated. Included in item 10.
10	VS-9201TM	Kit, Spindle Hose – Suits INTRAAX	1	[1] Includes items 1 to 8. Not illustrated.
	VS-9202TM	Kit, Spindle Hose – Suits TRLAXLE	1	
	98606-353	Kit, Spindle Hose – Suits Trailer Steerable Disc Brake	1	Includes items 1,2,3,5,6,7,8. Not illustrated.
	A-35008-1	Kit, Spindle Hose – Suits CONNEX ST Drum Steer	1	Includes items 3 & 4. Not illustrated.

[1] NOTE: These axle hose kits include spindle end plugs to suit both HN and HP Spindles.



TIREMAAX PRO & PRO-LB HUBCAPS

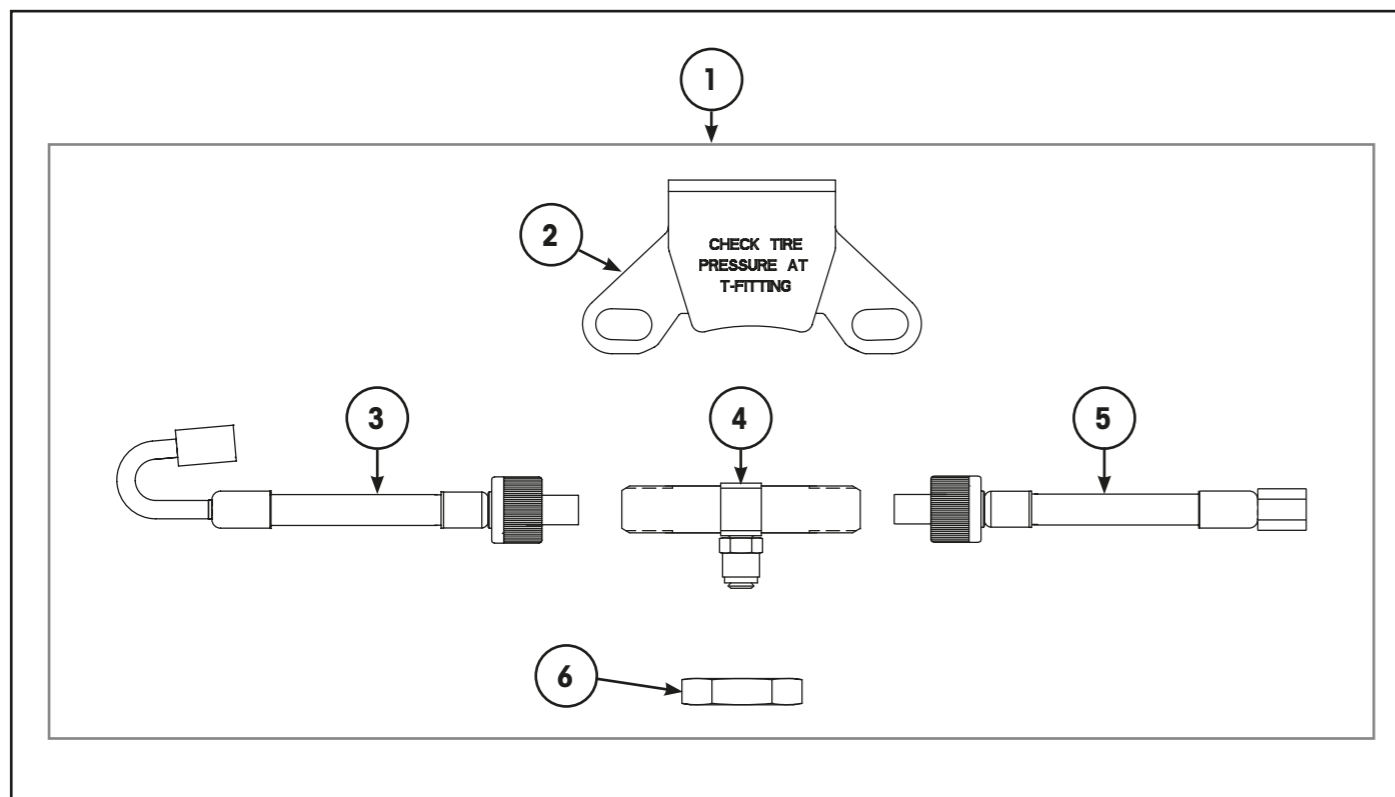


Item	Part Number	Description	Qty	Notes
1	C-32055-4	Hubcap, TIREMAAX PRO– Single Wheel, HN Spindle	2	Without decal.
	C-32055-3	Hubcap, TIREMAAX PRO – Dual Wheel, HN Spindle	2	Without decal.
	C-40718-3	Hubcap, TIREMAAX PRO-LB – Dual/Single Wheel, HN Spindle	2	Without decal.
2	C-32056-4	Hubcap, TIREMAAX PRO – Single Wheel, HP Spindle	2	Without decal.
	C-32056-3	Hubcap, TIREMAAX PRO – Dual Wheel, HP Spindle	2	Without decal.
	C-40719-3	Hubcap, TIREMAAX PRO-LB – Dual/Single Wheel, HP Spindle	2	Without decal.
3	VS-32054-4	Hubcap Window Replacement Kit – Opaque	2	Includes hubcap window, O-ring, gasket, screws and window plate.
4	97453-008	Decal, Hubcap – TIREMAAX PRO, Conventional Hub	2	Not illustrated.
	97453-009	Decal, Hubcap – TIREMAAX PRO, PreSet Hub	2	Not illustrated.
	97453-015	Decal, Hubcap – TIREMAAX PRO, HXL2 Hub	2	Not illustrated.
	97453-011	Decal, Hubcap – TIREMAAX PRO, HXL5 Hub	2	Not illustrated.
	97453-010	Decal, Hubcap – TIREMAAX PRO, HXL7 Hub	2	Not illustrated.
	97453-016	Decal, Hubcap – TIREMAAX PRO-LB, HXL5 Hub	2	Not illustrated.
	97453-017	Decal, Hubcap – TIREMAAX PRO-LB, HXL7 Hub	2	Not illustrated.

NOTE: For Port Blanking Plug, refer to "Axle Hoses & Hardware – TIREMAAX PRO & PRO-LB" on page 8 .



WHEEL HOSES – TIREMAAX EC OR CP (EARLY TYPE)

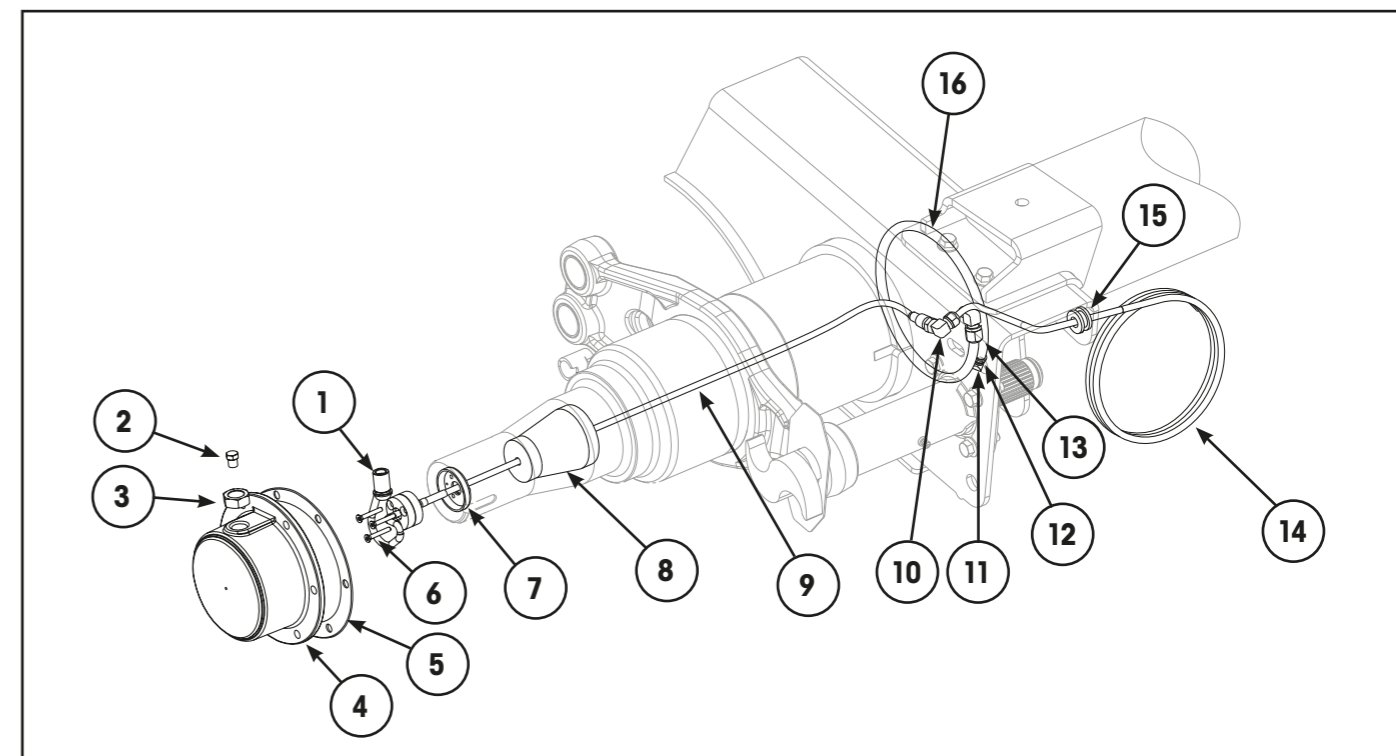


Item	Part Number	Description	Qty	Notes
1	VS-8008TM	Kit, Tyre Hose & Guard – TIREMAAX	1	Axle kit. Includes Items 2, 3, 4, 5 & 6.
2	VS-27890	Guard, Tee Fitting	2	HN and HP, Standard Bolt-On. Included in item 1.
3	NLA	180° Fitting Stainless Steel Tyre Hose 11.5"	2	Dual tyre size 17" - 19.5". NLA.
	VS-29004-2	180° Fitting Stainless Steel Tyre Hose 15"	2	Dual tyre size greater than 19.5". Included in item 1.
4	VS-29854	Fitting, Tee – Tyre Hoses to Hubcap	2	Included in item 1.
5	VS-29003-1	Straight Fitting Stainless Steel Tyre Hose 16.6"	2	Dual tyre size greater than 17". Included in item 1.
6	NLA	Nut, Jam – Rotary Union to Hubcap	2	Included in item 1.

NOTE: For information on early type hubcap assemblies refer to "Axle Hoses & Hardware – TIREMAAX EC or CP (Early Type)" on page 11.



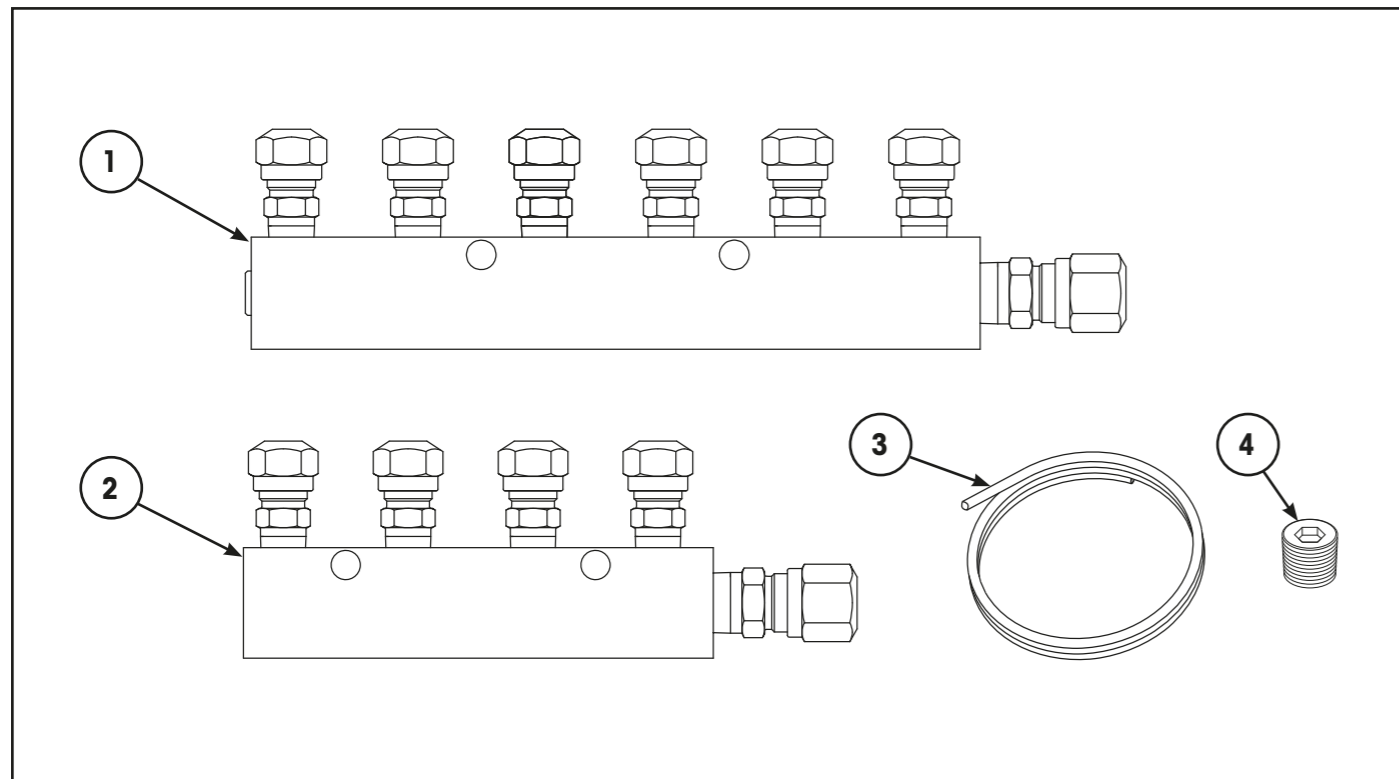
AXLE HOSES & HARDWARE – TIREMAAX EC OR CP (EARLY TYPE)



Item	Part Number	Description	Qty	Notes
1	S-28622	Kit, Rotary Union	2	Includes, union, clamp, screws, adapter & nut, items 1, 3 & 6.
2	A-28528	Plug, Threaded – 7/16"-24 UNS	2	
3	S-26487	Nut, Jam – Rotary Union to Hubcap	2	Included in Item 1.
4	NLA	Hubcap – HN Standard Grease TIREMAAX CP	2	(S-26491 HN hubcap only)
	VS-29566-2	Hubcap – HP Standard Grease TIREMAAX CP	2	Hubcap, gasket and fasteners. (S-26493 HP Hubcap only)
5	A-32098	Gasket, Hubcap – HN Spindle	2	
	A-32097	Gasket, Hubcap – HP Spindle	2	
6	SA-8200-8	Screw, Countersunk – 8-32 UNC x 1 Inch	6	Included in Item 1.
7	VS-27448	Plug, End – HN Spindle	2	
	VS-27449	Plug, End – HP Spindle	2	
8	S-24217	Filter – Axle	2	
9	S-29094-1	Hose, Axle – TIREMAAX	2	
10	SA-4300-8	Fitting, 90 Degree – 1/4 Inch OD Tube x 1/8" NPTF	2	
11	NLA	Valve, Check - Duck Bill	1	
12	S-28832	Clamp, Hose – Wire	1	
13	NLA	Fitting, 90 Degree – 3/8 Inch OD Tube x 1/4 NPT	1	
14	SA-6400-2	Hose, Nylon – 1/4 Inch OD x 9150 mm Long	1	
15	NLA	Grommet, Hose	2	
16	S-26589	Hose, Nylon – 3/8 Inch	1	



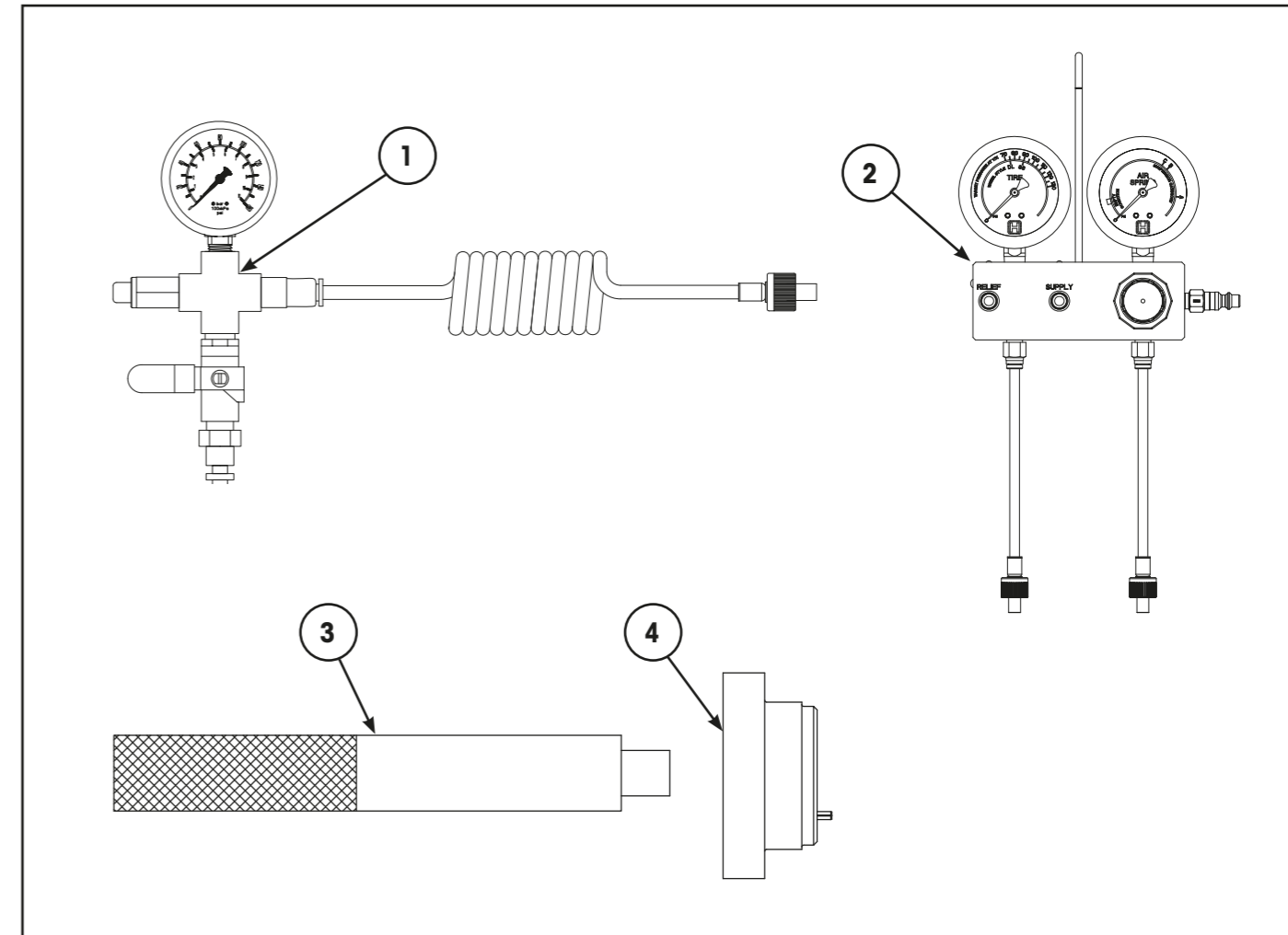
FRAME HOSES & HARDWARE



Item	Part Number	Description	Qty	Notes
1	VS-30470	Manifold, Air – TIREMAAX, 6 port, 1/4" NPT x 3/8 Inch OD	1	Tri-Axle.
2	VS-30410	Manifold, Air – TIREMAAX, 4 port, 1/4" NPT x 3/8 Inch OD	1	Tandem Axle.
3	SA-6400-2	Tube, Nylon – 1/4 Inch OD x 9.15 Metre, SAE J844	1	
	97009-004	Tube, Nylon – 3/8 Inch OD x 4 Metre, SAE J844	1	
	97009-006	Tube, Nylon – 3/8 Inch OD x 8 Metre, SAE J844	1	
4	SA-2300-3	Blanking Plug – 1/4" NPT	AR	If required.



SPECIAL TOOLS



Item	Part Number	Description	Qty	Notes
1	VS-32331	Gauge, Test – Target Pressure, PRO	1	
2	VS-41241-2	Gauge, Test – Target Pressure, PRO and PRO-LB	1	
3	S-27399	Handle, Driver – Spindle End Plug	1	Use with adaptor, item 3
4	S-28146-1	Adaptor, Driver – HN Spindle End Plug	1	Use with handle, item 2.
	S-28146-3	Adaptor, Driver – HP Spindle End Plug	1	Use with handle, item 2.



REVISIONS TABLE

DATE	REV	PAGE	DESCRIPTION
Apr-2022	F	4	Remove lamps and connectors no longer available and consolidate items.
Apr-2022	F	5, 6	Remove hoses no longer available. Add disc steerable spindle hose.
Dec-2023	G	6	Add 90° fitting, ECN 11903.
Dec-2023	G	3, 4, 5, 9, 13	Add TIREMAAX PRO-LB components, ECN 12021, 12087.
Dec-2023	G	10, 11	Amend CP parts that are no longer available.
Dec-2023	G	4	Add replacement controller box, ECN 12110.
Dec-2023	G	6, 7	Add Alcoa wheel hoses, ECN 12118.
Jun-2024	H	4	Add super single PRO-LB controllers, ECN 12165.
Jun-2024	H	6, 7	Add grommets and kit for Alcoa ULT36 wheels, ECN 12212.

*Actual product performance may vary depending upon vehicle configuration, operation, service and other factors.
 All applications must comply with applicable Hendrickson specifications and must be approved by the respective vehicle manufacturer with the vehicle in its original, as-built configuration.
 Contact Hendrickson for additional details regarding specifications, applications, capacities, and operation, service and maintenance instructions.*

**Need Help? Australia Call +61 3 8792 3600 or Email customerservice@hendrickson.com.au
 New Zealand Call +64 9 570 4721 or Email nz-customerservice@hendrickson.co.nz**



www.hendrickson.com.au

HENDRICKSON ASIA PACIFIC PTY LTD
 ABN 21 004 992 769
 32- 44 Letcon Drive, P.O. Box 1063
 Dandenong, Victoria, 3175
 61.3.8792.3600 • Fax 61.3.8792.3699

HENDRICKSON NEW ZEALAND
 Unit P, 24 Allright Place
 Mt Wellington, Auckland, 1060
 64.9.570.4721 • Fax 64.9.570.4812

Trademarks: TIREMAAX™ is a trademark or registered trademark of Hendrickson USA, L.L.C. Other product and company names used in this publication are trademarks™ or registered® trademarks of their respective holders. Use of them does not imply any affiliation with or endorsement by them.