

PARTS LIST

STEERTEK™ NXT High Capacity Front Steer Axle System for HME Fire/Rescue Vehicles

LIT NO: SP-339

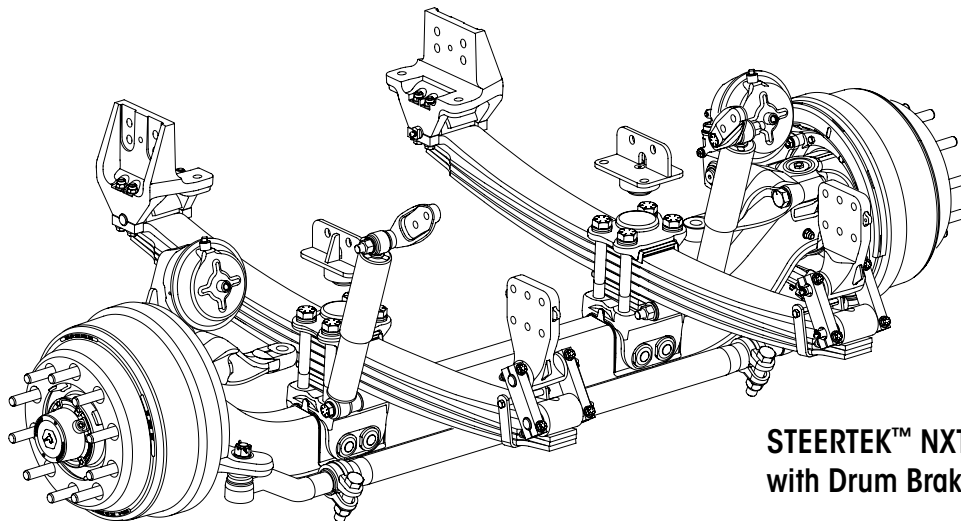
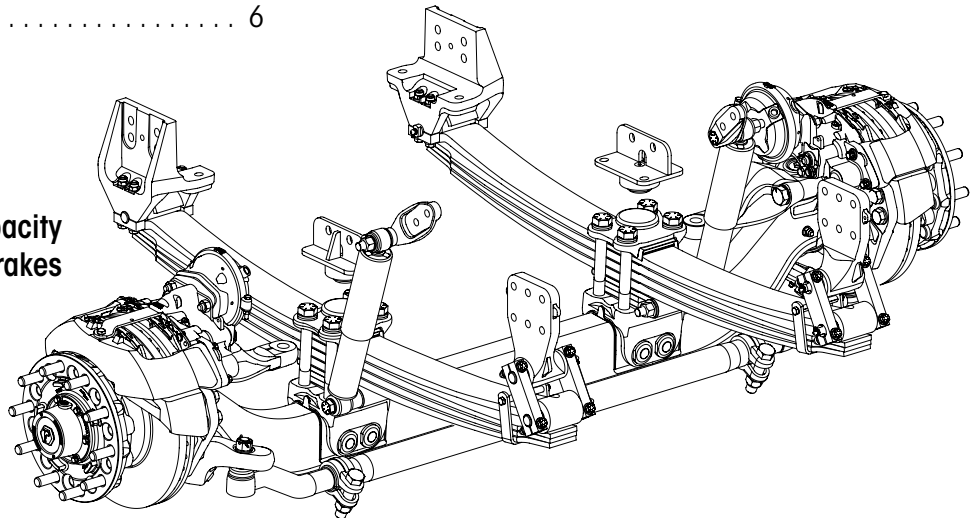
DATE: August 2023

REVISION: A

CONTENTS

DESCRIPTION	PAGE
Parts Lists	
■ Suspension • Axle • Clamp Group Assembly . . .	2
■ Disc Brake Assembly	4
■ Drum Brake Assembly	5
Selection Guides	6

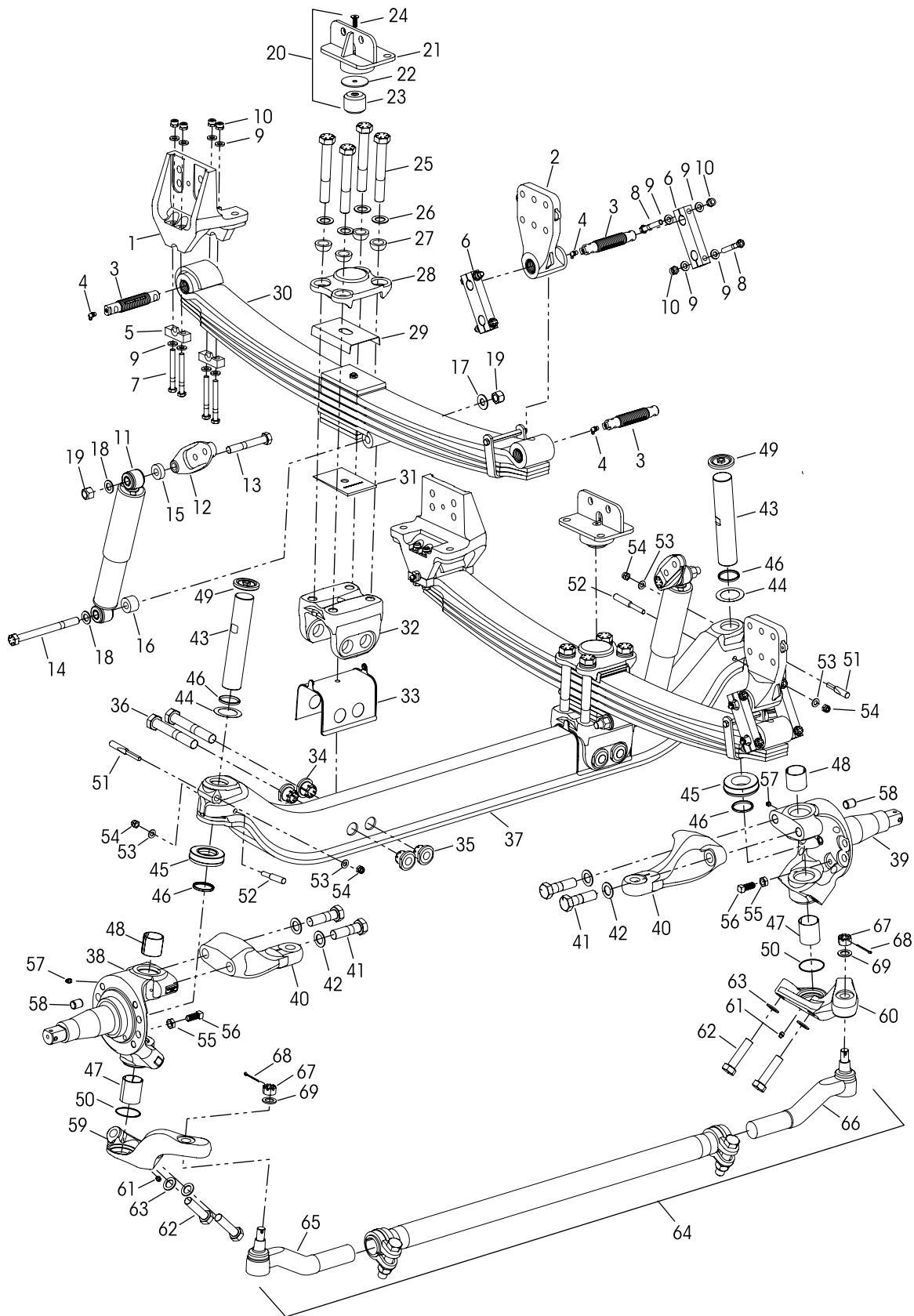
**STEERTEK™ NXT High Capacity
with Air Disc Brakes**



**STEERTEK™ NXT High Capacity
with Drum Brakes**



Suspension • Clamp Group • Axle Assembly





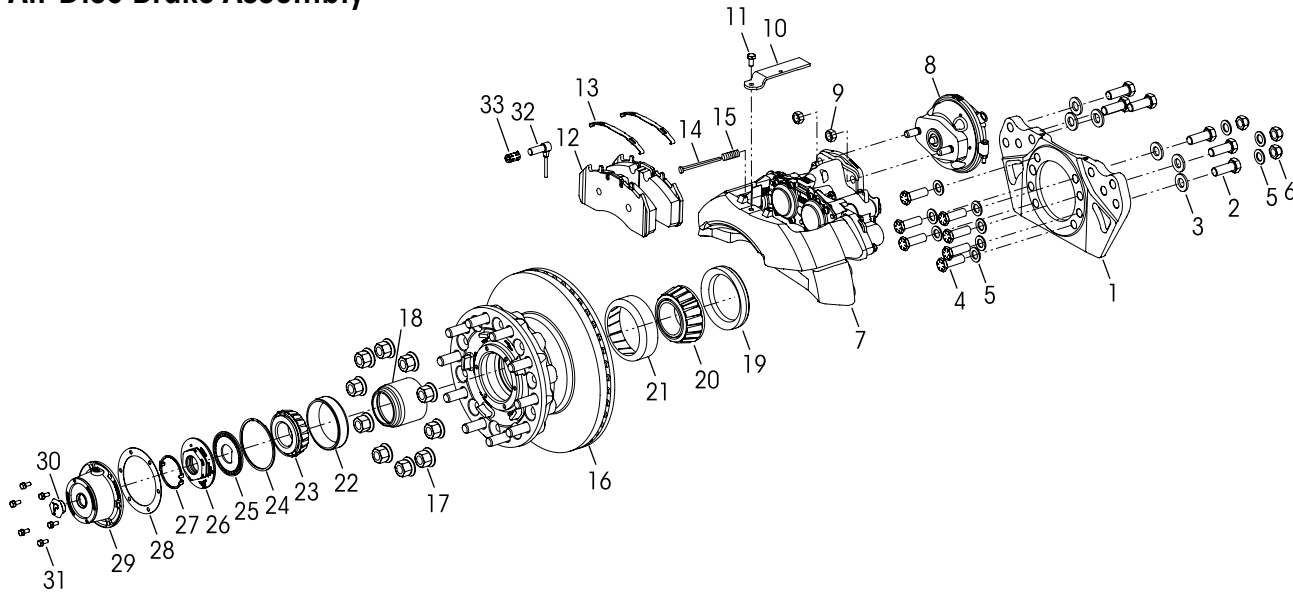
STEERTEK™ NXT High Capacity Front Steer Axle System for HME Vehicles

KEY NO.	PART NO.	DESCRIPTION	VEHICLE QTY.	KEY NO.	PART NO.	DESCRIPTION	VEHICLE QTY.
1	79894-003	Frame Hanger Assembly		37	94371-XXX	STEERTEK NXT Axle Fire and Rescue, Includes Key Nos. 38-69, <i>See Table 2 on Page 6</i>	1
2	80159-001	Front	2		77243-XXX	Knuckle Assembly, Includes Key Nos. 46, 53-56 <i>See Table 2 on Page 6</i>	
		Frame Hanger Fastener Service Kit, One Side		38		Left Hand	1
	34013-247	Front, Includes Key Nos. 5, 7, 9-10		39		Right Hand	1
	34013-248	Rear, Includes Key Nos. 3-4, 6, 8-10		40	79685-XXX	Steering Arm, <i>See Table 2 on Page 6</i>	
	34013-249	Single Threaded Pin and Grease Zerk Service Kit, Includes Key Nos. 3-4				Left Hand	1
3		*Threaded Pin	6			Right Hand	1
4		*Grease Zerk	6	41	30550-027	1"-14 UNF x 3½" Hex Bolt	4
5	79843-000	Front Hanger Bottom Cap	4	42	22962-051	1" Flat Washer	4
6	79888-001	Rear Shackles	4		34013-230	Kingpin Service Kit, One Side	
7	80362-001	½"-20 UNC x 4½" Hex Bolt	8			Includes Key Nos. 43, 44a, 45-54, 62-63	
8	80362-002	½"-20 UNC x 3¼" Shackle Hex Bolt	8	43		*Kingpin	2
9	22962-014	½" Flat Washer	32	44		Kingpin Shim (As needed for service)	2
10	17700-034	½"-20 UNC Locknut	16	a	77241-002	0.01" Thickness	
11	80606-001L	Shock Absorber	2	b	77241-003	0.02" Thickness	
12	78250-002	Shock Bracket	2	45	75918-001	Thrust Bearing	2
13	50764-008	¾"-10 UNC x 5" Upper Shock Hex Bolt	2	46	75966-001	Kingpin Seal	4
14	50764-014	¾"-10 UNC x 8½" Lower Shock Hex Bolt	2			Kingpin Bushing	
		Shock Spacer		47	75919-001	Lower, 2½" Length	2
15	59946-006	Upper, 13.2 mm Thick	2	48	75919-002	Upper, 2" Length	2
16	59946-015	Lower Outboard, 28 mm Thick	2	49	77209-001	Grease Cap	2
17	59946-005	Lower Inboard, 3 mm Thick	2	50	68303-004	O-Ring	2
18	22962-001	¾" Flat Washer	4			Kingpin Draw Key	
19	49842-000	¾"-10 UNC Locknut	4	51	75925-001	Upper, 3¾" Length	2
20	93558-000	Jounce Stop Assembly, Includes Key Nos. 21-24	2	52	75925-002	Lower, 4¾" Length	2
21		*Jounce Stop, Welded	2	53	22962-054	7/16" Flat Washer	4
22		*Spacer	2	54	17700-008	7/16"-14 UNC-2B Nut	4
	34013-505	Jounce Stop Service Kit, One Side,		55	17491-023	5/8"-11 UNC-2B Jam Nut	2
		Includes Key Nos. 23-24		56	93334-001	5/8"-11 UNC x 1½" Set Screw	2
23		*Rubber Bump Stop	2	57	33117-000	Grease Zerk	2
24		*M10 x 30 mm Flat Socket Cap Screw	2	58	64246-000	ABS Sensor Sleeve	2
	94370-XXX	Leaf Spring & Clamp Group Assembly, Includes Key Nos. 25-36, <i>See Table 1 on Page 6</i>	2		77244-XXX	Tie Rod Arm Assembly, Includes Key No. 61 <i>See Table 2 on Page 6</i>	
	34013-XXX	Clamp Group Service Kit, One Side, Includes Key Nos. 25-27 & 29, <i>See Table 1 on Page 6</i>		59		Left Hand	1
25	64107-XXX	1"-8 UNC Hex Bolt, <i>See Table 1 on Page 6</i>	8	60		Right Hand	1
26	22962-051	1" Flat Washer	8	61	33117-000	Grease Zerk	2
27	78356-002	1" Spherical Washer	8	62	30418-014	7/8"-14 UNF x 3½" Hex Bolt	4
28	78888-000	Top Pad	2	63	22962-002	7/8" Flat Washer	4
29	79273-001	Spring Liner	2	64	79365-001	Tie Rod Assembly, 20K Drop, Includes Key Nos. 65-67	1
30		Leaf Spring Assembly, <i>See Table 1 on Page 6</i>	2			Tie Rod End Service Kits,	
31	80143-001	Caster Wedge - 2°	2		60961-884	Axle Set, Includes Kit Nos. 60961-882 and -883	
32	77232-000	Axle Seat	2		60961-882	Left Hand, Includes Key Nos. 65, 67-69	
	34013-229	Axle Clamp Collar Service Kit, One Side			60961-883	Right Hand, Includes Key Nos. 66-69	
		Includes Key Nos. 33-36				Tie Rod End, Includes Key No. 67	
33	78887-001	Axle Seat Liner	2	65		*Left Hand	1
		*Axle Collar		66		*Right Hand	1
34		Non Threaded	4	67		*7/8"-14 UNF-2A Castle Nut	2
35		Threaded	4	68		*Cotter Pin	2
36		*1"-8 UNC x 6½" Hex Thru Bolt	4	69		*7/8" Flat Washer	2

NOTE: * Item included in kit/assembly only, part not sold separately.



Air Disc Brake Assembly

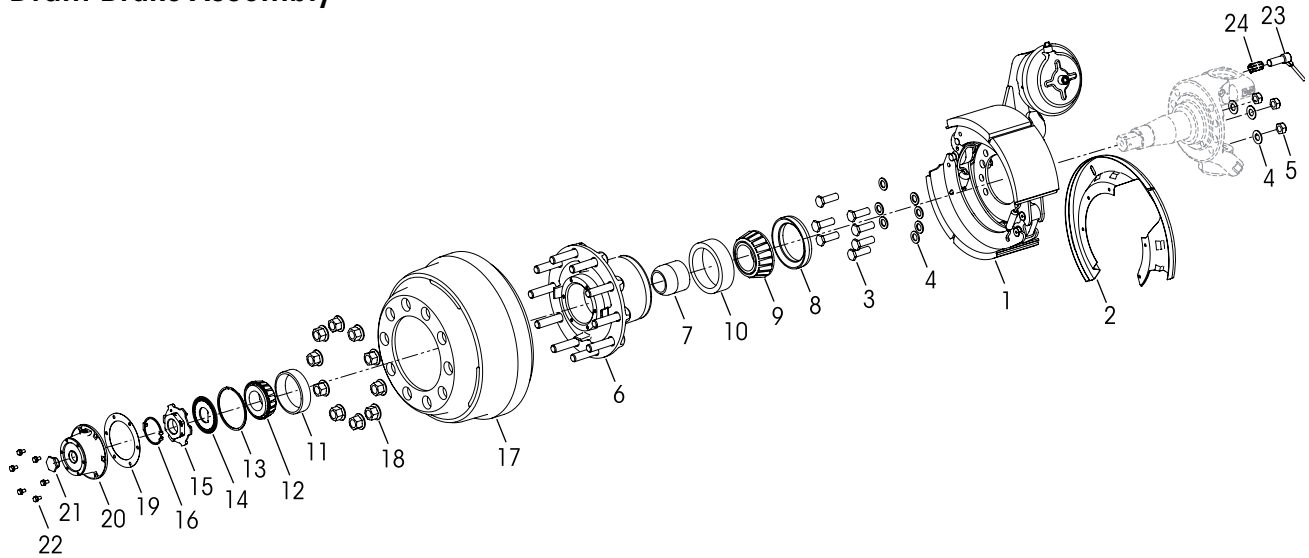


KEY NO.	PART NO.	DESCRIPTION	VEHICLE QTY.
1		*Meritor Torque Plate Assembly Left Hand, Part No. 3215-F-1878 Right Hand, Part No. 3215-E-1877	1 1
2	69781-002	M20 x 55 mm Hex Head Bolt	12
3	58246-018	M20 Flat Washer, <i>Replaces 58246-039</i>	12
4	80345-004	3/4"-16 UNC x 2 1/4" Low Profile Hex Head Bolt	14
5	22962-001	3/4" Flat Washer	20
6	80691-001	3/4"-16 UNC Hex Nut	6
7		*Meritor Air Disc Brake Caliper Assembly, Includes Key Nos. 10-11, 14-15 Left Hand, Part No. EX225H202XX000S Right Hand, Part No. EX225H201XX000S	1 1
8		*WABCO Air Brake Chamber MGM T24L, Includes K80131-001 Key No. 9 Left Hand, Part No. 423 506 1340 Right Hand, Part No. 423 506 1350	1 1
9		*Hex Nut *Meritor Disc Pad Retainer Kit No. 225281, Includes Key Nos. 10-11	4
10		*Pad Retainer	
11		*Pad Retainer Bolt *Meritor Air Disc Brake Pad Kit No. 2252H2CG, Includes Key Nos 12-13	
12		*Air Disc Brake Pad	
13		*ADB Pad Spring *Meritor Wear Indicator Kit No. 225224, Includes Key Nos. 14-15	
14		*Wear Indicator	
15		*Wear Indicator Spring	

KEY NO.	PART NO.	DESCRIPTION	VEHICLE QTY.
16		*Conmet Hub and Rotor Assembly Part No. 10083224, Includes Bearings and Seals *Conmet Brake Rotor Replacement Kit No. 10082181, One Wheel End, Includes Rotor and 10 of each Cap Screws and Washers	2
17		**M22 x 1.5 Two-piece Wheel Nut *Conmet Hub Bearing Rebuild Kit No. 10081728, One Wheel End, Includes Key Nos. 18-23 *Conmet Wheel Seal Kit No. 10081519, One Wheel End, Includes Key Nos. 18-19	20
18		*Bearing Spacer Part No. 10034342	
19		*Wheel Seal Part No. 10045883	
20		*Inner Bearing Cone Part No. 10041922	
21		*Inner Bearing Cup Part No. 10041921	
22		*Outer Bearing Cup Part No. 10041923	
23		*Outer Bearing Cone Part No. 10041924 *Conmet Preset Plus FL Nut Assembly Kit No. 10036550, Includes Key Nos. 24-27	
24		*Snap Ring - Double Wind Part No. 10033288	
25		*Spindle Nut Lockwasher Part No. 10031171	
26		*Outer Spindle Nut Part No. 10031170	
27		*Snap Ring Retainer Part No. 10031172	
28		*Driveparts Hub Cap Gasket No. G-3009	2
29		*Driveparts Hub Cap Part No. 343-009, Includes Key No. 30	2
30		*Rubber Plug	
31	64545-002	5/16"-18 UNC x 3/4" Hex Bolt with Retained Washer	12
32		*WABCO ABS Sensor Part No. 441-032-900-0	2
33	64550-000	ABS Sensor Clip	2



Drum Brake Assembly



KEY NO.	PART NO.	DESCRIPTION	VEHICLE QTY.	KEY NO.	PART NO.	DESCRIPTION	VEHICLE QTY.
1		*Meritor Drum Brake Foundation Kit, Includes Key No. 2 Left Hand, Part No. QP4-1656-2729 Right Hand, Part No. QP4-1656-2730	1 1	11		*Outer Bearing Cup Part No. 10041923	
2		*Dust Shield	2	12		*Outer Bearing Cone Part No. 10041924	
3	80345-004	3/4"-16 x 2 1/4" Low Profile Hex Head Bolt	14			*Conmet Preset Plus FL Nut Assembly Kit No. 10036550, Includes Key Nos. 13-16	
4	22962-001	3/4" Flat Washer	20	13		*Snap Ring - Double Wind Part No. 10033288	
5	80691-001	3/4"-16 UNC - 2B Nut	6	14		*Spindle Nut Lockwasher Part No. 10031171	
		*Conmet Preset Plus FL Hub Assembly Part No. 10081313, Includes Key Nos. 6-16	2	15		*Outer Spindle Nut Part No. 10031170	
6		*Hub Part No. 10033316		16		*Snap Ring Retainer Part No. 10031172	
		*Conmet Hub Bearing Rebuild Kit No. 10081728, One Wheel End, Includes Key Nos. 7-12		17		*Conmet Drum 16.5 x 6 Part No. 10033071	
		*Conmet Wheel Seal Kit No. 10081519, One Wheel End, Includes Key Nos. 7-8		18		**M22 x 1.5 Two-piece Wheel Nut	20
7		*Bearing Spacer Part No. 10034342		19		*Driveparts Hub Cap Gasket No. G-3009	2
8		*Wheel Seal Part No. 10045883		20		*Driveparts Hub Cap Part No. 343-009, Includes Key No. 21	2
9		*Inner Bearing Cone Part No. 10041922		21		*Rubber Plug	
10		*Inner Bearing Cup Part No. 10041921		22	64545-002	5/16"-18 UNC x 3/4" Hex Bolt with Retained Washer	12
				23		*WABCO ABS Sensor Part No. 441-032-900-0	2
				24	64550-000	ABS Sensor Clip	2

NOTES: * Not supplied by Hendrickson for aftermarket service purposes. Description and part number listed for reference only. For more information and assistance with service, maintenance and rebuild instructions on these components see below component manufacturers:

- CONMET technical and parts support 800.547.9473 or online at aftermarket.conmetwheelends.com/hub-selection
- DRIVPARTS technical and parts support 800.334.3210 or online at www.drivparts.com
- MERITOR technical and parts support 888.725.9355, or online for parts: www.meritorpartsexpress.com and for technical support: www.meritorbullpen.com
- WABCO technical and parts support 855.228.3203 or online at www.wabco-customercentre.com

** Not supplied by Hendrickson, used for reference only. Contact the vehicle manufacturer for more information.



■ Selection Guides

Table 1

		Leaf Spring Assembly and Components				
Capacity	Ride Height	Leaf Spring and Clamp Group Assembly Part No.	Clamp Group Service Kit Part No.	Leaf Spring Assembly Key No. 30 Part No.	1" Hex Bolt Key No. 25 Part No.	
		Refer to the Parts List for Contents			Part No.	Length
19K	9"	94370-001	34013-419	82378-250	8"	64107-001
21K		94370-101		82379-300		
24K	9.06"	94370-201	34013-255	82380-400	8.5"	64107-006

Table 2

		Axle Assembly and Components						
Wheelbase	Maximum Capacity	STEERTEK NXT	Knuckle Assembly		Steering Arm Assembly		Tie Rod Arm Assembly	
		Axle Assembly Key No. 37 Part No.	Left Hand Key No. 38 Part No.	Right Hand Key No. 39 Part No.	Left Hand Key No. 40 Part No.	Right Hand Key No. 40 Part No.	Right Hand Key No. 59 Part No.	Left Hand Key No. 60 Part No.
130-170"	19K	94371-001	77243-001	77243-102	79685-001	N/A	77244-057	77244-058
	24K	94371-002		77243-002		79685-001		
171-200"	19K	94371-003		77243-102		N/A	77244-059	77244-060
	24K	94371-004		77243-002		79685-001		
201-230"	19K	94371-005		77243-102		N/A	77244-061	77244-062
	24K	94371-006		77243-002		79685-001		
231-280"	19K	94371-007		77243-102		N/A	77244-063	77244-064
	24K	94371-008		77243-002		79685-001		

This is a general parts list to provide directional information. Components may vary by model. Questions in regards to parts, contact Hendrickson Truck Parts at 1.866.755.5968 (Toll-free U.S. and Canada), 630.910.2800 (Outside U.S. and Canada) or email: truckparts@hendrickson-intl.com.
 Actual product performance may vary depending upon vehicle configuration, operation, service and other factors.
 All applications must comply with applicable Hendrickson specifications and must be approved by the respective vehicle manufacturer with the vehicle in its original, as-built configuration.
 Contact Hendrickson for additional details regarding specifications, applications, capacities, and operation, service and maintenance instructions.

Call Hendrickson at 1.866.755.5968 (toll-free) or 1.630.910.2800 for additional information.



www.hendrickson-intl.com

TRUCK COMMERCIAL VEHICLE SYSTEMS
 800 South Frontage Road
 Woodridge, IL 60517-4904 USA
 1.866.755.5968 (Toll-free U.S. and Canada)
 1.630.910.2800 (Outside U.S. and Canada)
 Fax 1.630.910.2899

SP-339 Rev A 08-23

© 2023 Hendrickson USA, L.L.C. All Rights Reserved. All trademarks shown are owned by Hendrickson USA, L.L.C., or one of the affiliates, in one or more countries.
 Information contained in this literature was accurate at the time of publication. Product changes may have been made after the copyright date that are not reflected.

Printed in United States of America