

H PARTS LIST

TIREMAAX®

LIT NO: L878

DATE: December 2024

REVISION: V

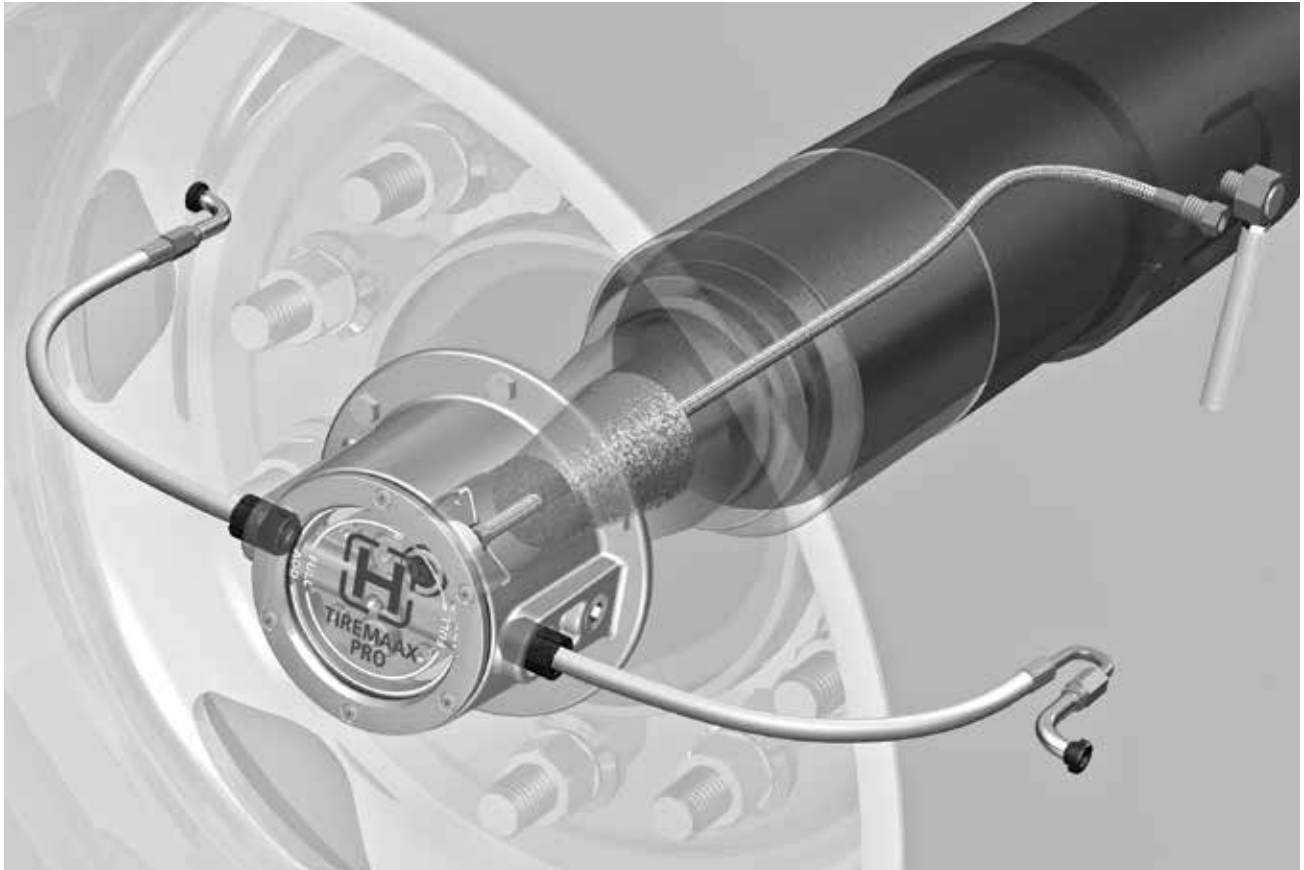


TABLE OF CONTENTS

TIREMAAX® CP, PRO AND PRO-LB (Built March 2012 or later with hubcap-mounted rotary union)

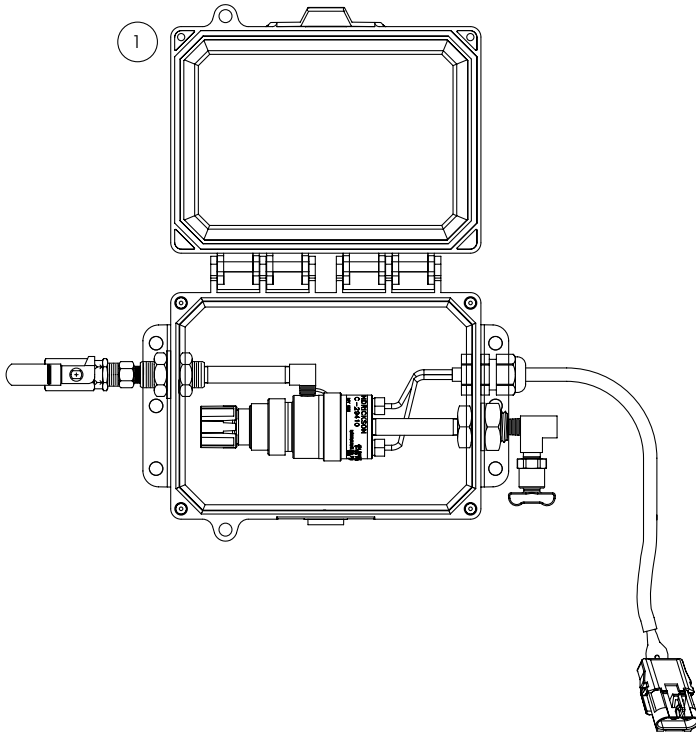
CONTROLLERS.....	2
LIGHT KIT COMPONENTS AND MANIFOLDS.....	4
AXLE AND WHEEL COMPONENTS.....	6
TIRE HOSES.....	8

TIREMAAX EC AND CP (Built prior to March 2012 with spindle-mounted rotary union)

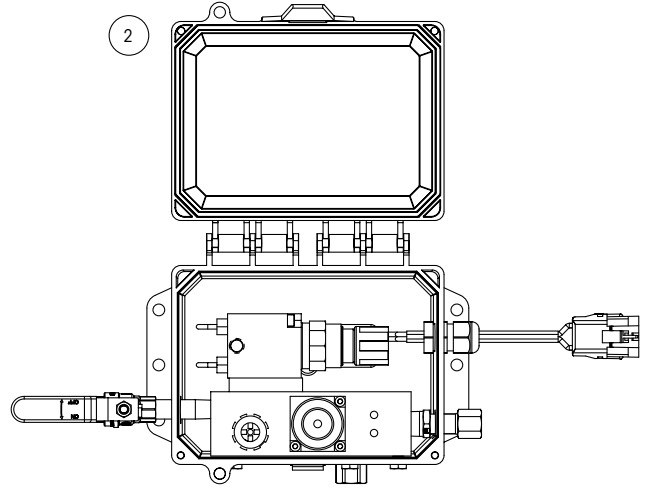
CONTROLLERS.....	11
AXLE AND WHEEL COMPONENTS.....	12
TIRE HOSES.....	14

TOOLS AND ACCESSORIES.....	15
-----------------------------------	-----------

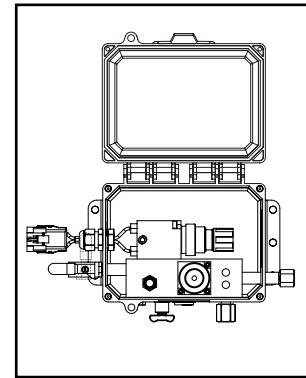
CP CONTROLLER ASSEMBLY



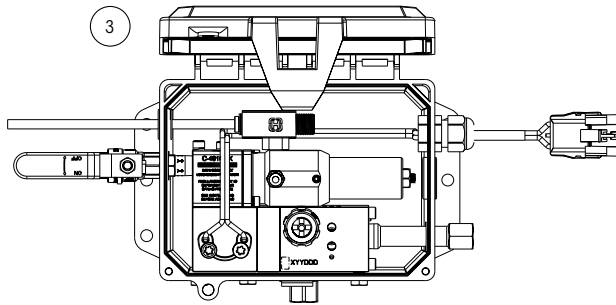
PRO CONTROLLER ASSEMBLY



Alternate style,
previously used



PRO-LB CONTROLLER ASSEMBLY



*PRO-LB SUSPENSION CATEGORY REFERENCE TABLE		
CATEGORY A	CATEGORY B	CATEGORY C
<p>VANTRAAX® HKANT 40K (≥16" RH)</p> <p>ULTRAA-K® UTKNT 40K</p>	<p>VANTRAAX HKANT 23K HKANT 40K (15" RH) HKANT / HKAT 46K</p> <p>INTRAAAX® AANT / AAT 23K (≥ 13.5" RH, Std A/S Pressure) AANL / AAL 23K (Std A/S Pressure)</p>	<p>VANTRAAX HKAT 50K</p> <p>INTRAAAX AANT / AAT 23K (≥ 13.5" RH, Low A/S Pressure) AANL / AAL 23K (Low A/S Pressure) AAT 25K AAL 25K AANLS 20K</p>

**TIREMAAX CP CONTROLLER ASSEMBLY**

ITEM	ELECTRICAL CONNECTION	TANK VALVE	COLD TIRE INFLATION PRESSURE										
			70	75	80	85	90	95	100	105	110	115	120
1	Delphi Connector	No	VS-29865-70	VS-29865-75	VS-29865-80	VS-29865-85	VS-29865-90	VS-29865-95	VS-29865-100	VS-29865-105	VS-29865-110	VS-29865-115	VS-29865-120
		Yes	VS-31520-70	VS-31520-75	VS-31520-80	VS-31520-85	VS-31520-90	VS-31520-95	VS-31520-100	VS-31520-105	VS-31520-110	VS-31520-115	VS-31520-120
	Blade Terminals	No	VS-34920-70	VS-34920-75	VS-34920-80	VS-34920-85	VS-34920-90	VS-34920-95	VS-34920-100	VS-34920-105	VS-34920-110	VS-34920-115	VS-34920-120
		Yes	VS-37987-70	VS-37987-75	VS-37987-80	VS-37987-85	VS-37987-90	VS-37987-95	VS-37987-100	VS-37987-105	VS-37987-110	VS-37987-115	VS-37987-120

TIREMAAX PRO CONTROLLER ASSEMBLY

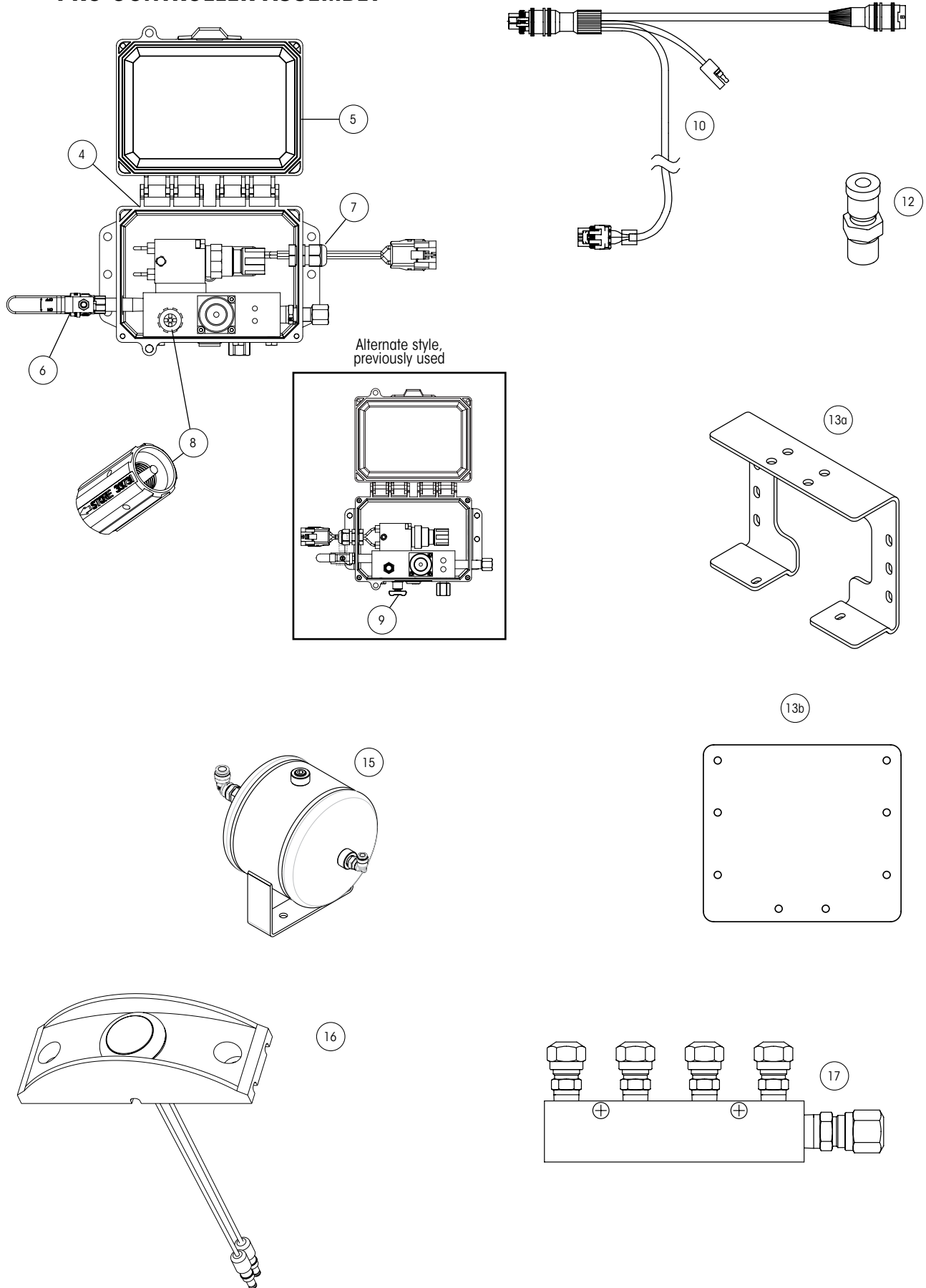
ITEM	ELECTRICAL CONNECTION	COLD TIRE INFLATION PRESSURE							
		85	90	95	100	105	110	115	120
2	Delphi Connector	VS-32074-85	VS-32074-90	VS-32074-95	VS-32074-100	VS-32074-105	VS-32074-110	VS-32074-115	VS-32074-120
	Blade Terminals	VS-34923-85	VS-34923-90	VS-34923-95	VS-34923-100	VS-34923-105	VS-34923-110	VS-34923-115	VS-34923-120

TIREMAAX PRO-LB CONTROLLER ASSEMBLY

ITEM	ELECTRICAL CONNECTION	SUSPENSION CATEGORY*	DUAL / SUPER SINGLE	COLD TIRE INFLATION PRESSURE							
				85	90	95	100	105	110	115	120
3	Delphi Connector	A	Dual	VS-41091-1	VS-41091-2	VS-41091-3	VS-41091-4	VS-41091-5	VS-41091-6	VS-41091-7	VS-41091-8
			SS				VS-41091-9	VS-41091-10	VS-41091-11	VS-41091-12	VS-41091-13
		B	Dual	VS-41091-14	VS-41091-15	VS-41091-16	VS-41091-17	VS-41091-18	VS-41091-19	VS-41091-20	VS-41091-21
			SS				VS-41091-22	VS-41091-23	VS-41091-24	VS-41091-25	VS-41091-26
		C	Dual	VS-41091-27	VS-41091-28	VS-41091-29	VS-41091-30	VS-41091-31	VS-41091-32	VS-41091-33	VS-41091-34
			SS				VS-41091-35	VS-41091-36	VS-41091-37	VS-41091-38	VS-41091-39
	Blade Terminals	A	Dual	VS-41120-1	VS-41120-2	VS-41120-3	VS-41120-4	VS-41120-5	VS-41120-6	VS-41120-7	VS-41120-8
			SS				VS-41120-9	VS-41120-10	VS-41120-11	VS-41120-12	VS-41120-13
		B	Dual	VS-41120-14	VS-41120-15	VS-41120-16	VS-41120-17	VS-41120-18	VS-41120-19	VS-41120-20	VS-41120-21
			SS				VS-41120-22	VS-41120-23	VS-41120-24	VS-41120-25	VS-41120-26
		C	Dual	VS-41120-27	VS-41120-28	VS-41120-29	VS-41120-30	VS-41120-31	VS-41120-32	VS-41120-33	VS-41120-34
			SS				VS-41120-35	VS-41120-36	VS-41120-37	VS-41120-38	VS-41120-39

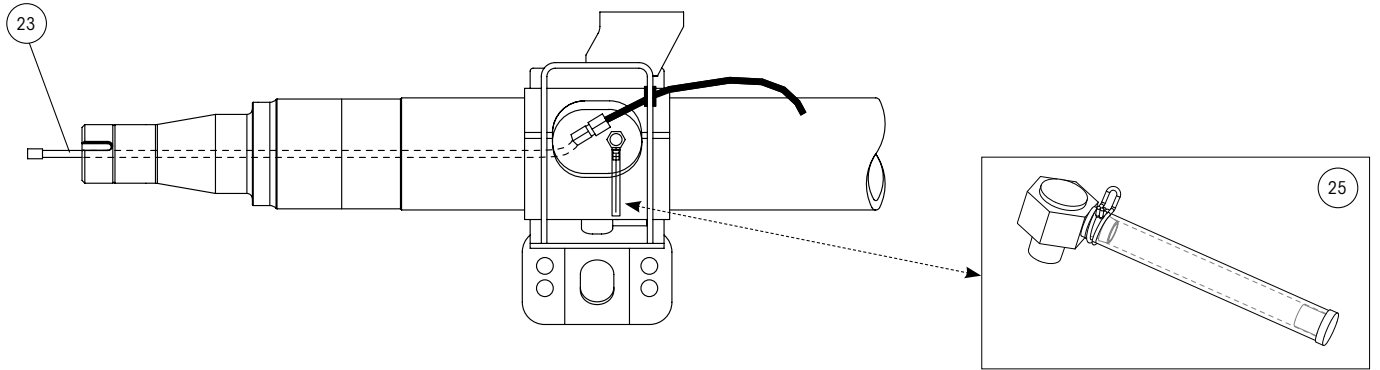
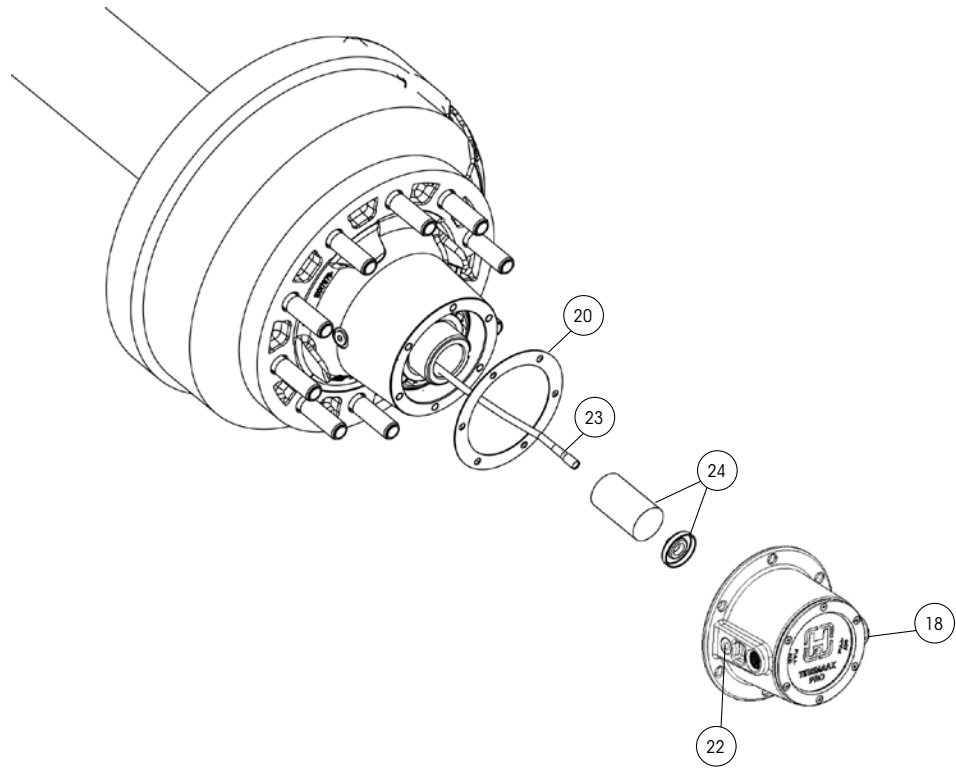


PRO CONTROLLER ASSEMBLY





ITEM	DESCRIPTION	PART NO.	QTY. PER TANDEM	NOTE
4	ENCLOSURE BOX WITH LID			
	a CP (Not Shown)	VS-31845-13	1	
	b PRO	VS-31845-12	1	
	c PRO-LB (Not Shown)	VS-31845-14	1	
5	ENCLOSURE LID	VS-34953	1	
6	BALL VALVE	VS-33730	1	
7	STRAIN RELIEF	VS-29421	1	
8	TEST PORT VENT	VS-33731	1	On PRO models after February 2015
9	PETCOCK	VS-29409	1	On PRO models prior to February 2015
10	POWER HARNESS			
	a 15-foot; ABS-Ready	VS-30270	1	
	b 3-foot; ABS-Ready	VS-30270-1	1	
11	ADAPTER PLUG (Not Shown)	VS-29857	1	18-inch; 3-way connector
12	TANK VALVE	VS-31519	1	Optional on CP
13	MOUNTING BRACKET			
	a For Spring Suspensions	VS-29859	1	Optional
	b For ULTRAA-K® Suspension	VS-35291	1	Optional for mounting to front crossmember
14	LIQUID-FILLED PRESSURE GAUGE (Not Shown)	VS-31498	1	Optional on PRO
15	PRO-LB DAMPING TANK KIT	VS-41051-1	1	
16	TRAILER MOUNTED INDICATOR LIGHT KIT (Complete Kit Not Shown)			
	a Kit – Incandescent 12V with 60-foot Cable	VS-28059	1	Light, gasket, ground wire and 60-foot cable
	b Kit – LED 12V with 65-foot Cable	VS-28059-1	1	Light, bracket and 65-foot cable
	c Kit – LED 12V with 35-foot Cable	VS-28059-3	1	Light, bracket and 35-foot cable
	d Kit – LED 24V with 65-foot Cable	VS-28059-2	1	Light, bracket and 65-foot cable
	e Light – Incandescent 12V	VS-28526	1	Light only
	f Light – LED 12V	VS-29880	1	Light only
	g Light – LED 24V	VS-33119	1	Light only
	h Cable – LED, 65-foot	VS-29883	1	Cable only
	i Cable – LED, 35-foot	VS-29883-1	1	Cable only
	j Mounting Bracket – LED	VS-29879	1	Bracket only
17	MANIFOLD			
	a Tandem Manifold	VS-30410	1	
	b Tridem Manifold (Not Shown)	VS-30470	1	

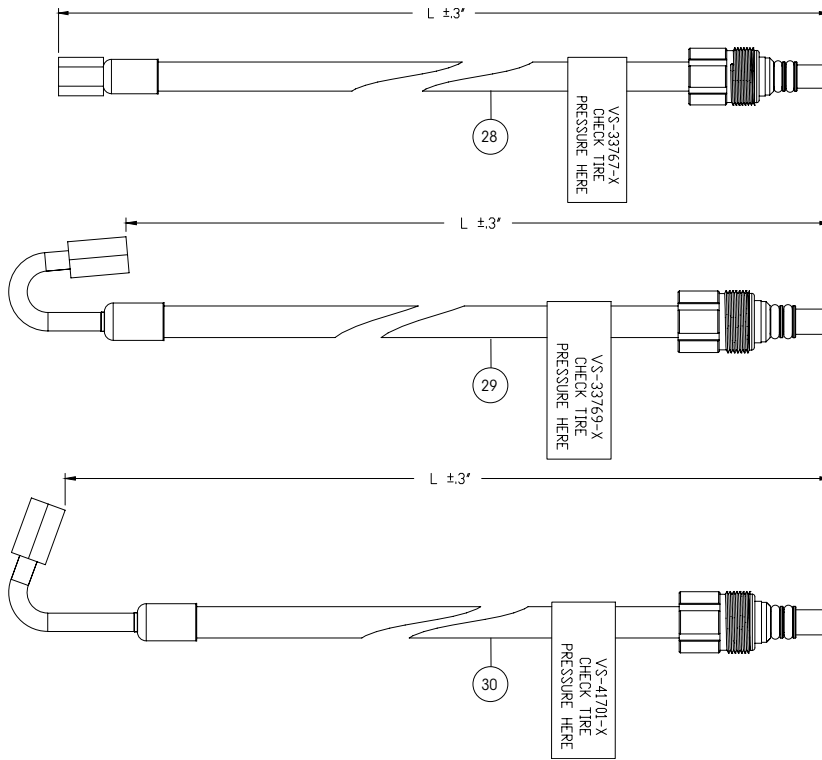




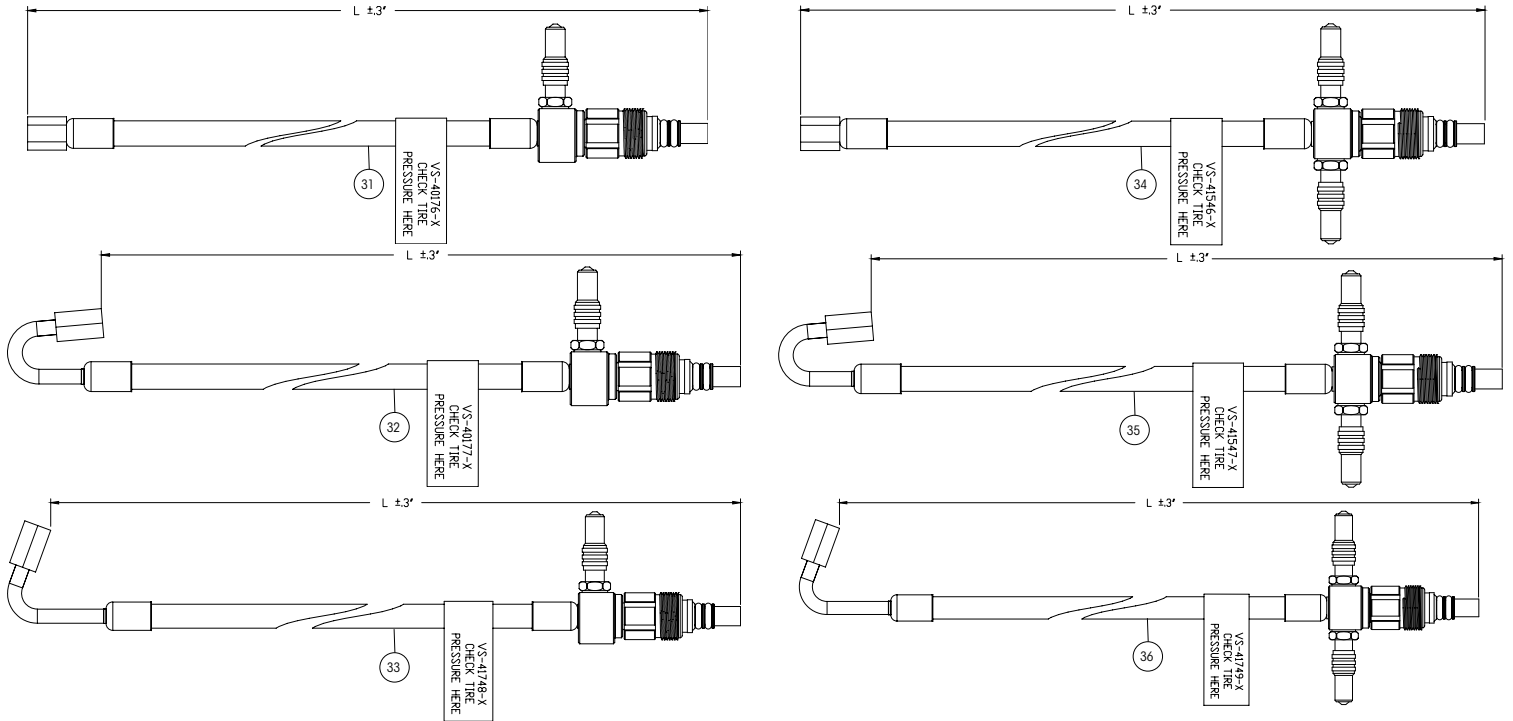
ITEM	DESCRIPTION	PART NO.	QTY. PER TANDEM	NOTE
18	HUBCAP			Hubcap, gasket and fasteners
a	CP HN Oil	VS-32068-1	4	
b	CP HN Grease	VS-32068-3	4	
c	CP HP Oil	VS-32070-1	4	
d	CP HP Grease	VS-32070-3	4	
e	PRO HN Oil	VS-32055-1	4	
f	PRO HN Grease	VS-32055-3	4	
g	PRO HP Oil	VS-32056-1	4	
h	PRO HP Grease	VS-32056-3	4	
i	PRO Extended HP Oil	VS-32057-1	4	For use with castle nut
j	PRO Extended HP Grease	VS-32057-3	4	For use with castle nut
k	PRO HX Grease	VS-40870-3	4	For use with Outboard Mounted Rotor
l	PRO-LB HN Oil	VS-40718-1	4	
m	PRO-LB HN Grease	VS-40718-3	4	
n	PRO-LB HP Oil	VS-40719-1	4	
o	PRO-LB HP Grease	VS-40719-3	4	
p	PRO-LB Extended HP Oil	VS-40947-1	4	For use with castle nut
q	PRO-LB Extended HP Grease	VS-40947-3	4	For use with castle nut
r	PRO-LB HX Grease	VS-41202-3	4	For use with Outboard Mounted Rotor
19	HUBCAP WINDOW REPLACEMENT KITS (Not Shown)			Hubcap lens, lens plate, tri-lobe screws
a	CP Oil	VS-32054-1	4	
b	CP Grease	VS-32054-2	4	
c	PRO Oil	VS-32054-3	4	
d	PRO Grease	VS-32054-4	4	Compatible with Outboard Mounted Rotor
e	PRO-LB Oil	VS-32054-7	4	
f	PRO-LB Grease	VS-32054-8	4	Compatible with Outboard Mounted Rotor
20	HUBCAP GASKETS			
a	HP Gasket	S-32097	4	
b	HN Gasket	S-32098	4	
c	HX Gasket	S-39364	4	For use with Outboard Mounted Rotor
21	HUBCAP PORT PROTECTION PLUG (Not Shown)	VS-33686	4	Light grey, permanent threaded nylon plug
22	HUBCAP FILL PORT PIPE PLUG	A-33074	4	
23	AXLE HOSE			
a	INTRAAX® / VANTRAAX®	VS-32087-1	4	Requires (1) axle vent VS-32101 per axle
b	TRLAXLE®, 71.5" to 83" track	VS-32087-2	4	Requires (1) axle vent VS-32101-1 per axle
c	TRLAXLE®, 83.5" to 92" track	VS-32087-3	4	Requires (1) axle vent VS-32101-1 per axle
d	CONNEX® ST	VS-32087-4	4	Requires (1) axle vent VS-32101 per wheel-end
24	SPINDLE PLUG ASSEMBLY			
a	HN - 1.75"	VS-33092-1	2	
b	HUS / P90 and HP - 2.75"	VS-33092-2	2	
25	AXLE VENT			
a	INTRAAX / VANTRAAX	VS-32101	2	
b	TRLAXLE	VS-32101-1	2	
26	AXLE KIT (Not Shown)			Axle hoses, filters, vent assembly, spindle plugs and air line tubing
a	INTRAAX / VANTRAAX	VS-9201TM	2	
b	TRLAXLE, 71.5" to 83" track	VS-9202TM	2	
c	TRLAXLE, 83.5" to 92" track	VS-9204TM	2	
27	TIRE HOSE O-RING SERVICE KIT (Not Shown)	VS-34935	2	(10) O-rings per kit



STANDARD HOSES



INTEGRAL CHECK PORT HOSES





TIRE HOSES								
ITEM	HOSE STYLE	WHEEL STYLE	TIRE SIZE	WHEEL MATERIAL	POSITION	FITTING	QTY. PER TANDEM	THERMOPLASTIC PART NUMBER
28, 29, 30	Standard	Dual	17.5"	Steel, Aluminum or Combo	Inner	Straight	4	VS-33767-4
					Outer	180-Degree	4	VS-33769-3
			19.5"	Aluminum	Inner	Straight	4	VS-33767-4
					Outer	180-Degree	4	VS-33769-1
				Steel or Combo	Inner	Straight	4	VS-33767-2
					Outer	180-Degree	4	VS-33769-3
			22.5"	Aluminum	Inner	Straight	4	VS-33767-5
					Outer	180-Degree	4	VS-33769-1
				Steel or Combo	Inner	Straight	4	VS-33767-1
					Outer	180-Degree	4	VS-33769-1
				*Alcoa ULT36 All Alum	Inner	Straight	4	VS-33767-2
					Outer	110-Degree	4	VS-41701-1
		*Alcoa ULT36 Steel Combo	Inner	Straight	4	VS-33767-1		
			Outer	110-Degree	4	VS-41701-1		
		24.5"	Aluminum	Inner	Straight	4	VS-33767-2	
				Outer	180-Degree	4	VS-33769-2	
			Steel or Combo	Inner	Straight	4	VS-33767-1	
		Outer		180-Degree	4	VS-33769-1		
		Super Single	22.5"	**Aluminum	Outward Facing Stem	Straight	4	VS-33767-6
				Steel	Outward Facing Stem	Straight	4	VS-33767-3
					Inward Facing Stem	180-Degree	4	VS-33769-1
31, 32, 33	Integral Check Port - 1-Port	Dual	22.5"	Aluminum	Inner	Straight	4	VS-40176-2
					Outer	180-Degree	4	VS-40177-1
				Steel or Combo	Inner	Straight	4	VS-40176-3
					Outer	180-Degree	4	VS-40177-1
				*Alcoa ULT36 All Alum	Inner	Straight	4	VS-40176-4
					Outer	110-Degree	4	VS-41748-1
		*Alcoa ULT36 Steel Combo	Inner	Straight	4	VS-40176-3		
			Outer	110-Degree	4	VS-41748-1		
		Super Single	22.5"	**Aluminum	Outward Facing Stem	Straight	4	VS-40176-5
				Steel	Outward Facing Stem	Straight	4	VS-40176-1
					Inward Facing Stem	180-Degree	4	VS-40177-1
		34, 35, 36	Integral Check Port - 2-Port	Dual	22.5"	Aluminum	Inner	Straight
Outer	180-Degree						4	VS-41547-1
Steel or Combo	Inner					Straight	4	VS-41546-3
	Outer					180-Degree	4	VS-41547-1
*Alcoa ULT36 All Alum	Inner					Straight	4	VS-41546-4
	Outer					110-Degree	4	VS-41749-1
*Alcoa ULT36 Steel Combo	Inner			Straight	4	VS-41546-3		
	Outer			110-Degree	4	VS-41749-1		
Super Single	22.5"			**Aluminum	Outward Facing Stem	Straight	4	VS-41546-5
				Steel	Outward Facing Stem	Straight	4	VS-41546-1
					Inward Facing Stem	180-Degree	4	VS-41547-1

*Hendrickson recommends grommets in each hand hole of the ULT36 wheel. See Accessories, p.15, Item 7e (VS-41770).

**For aluminum zero-offset wheels with outward facing stem, contact Hendrickson Engineering for applications support.



TIRE HOSE KITS (not shown)								
ITEM	HOSE STYLE	WHEEL STYLE	TIRE SIZE	WHEEL MATERIAL	QTY PER TANDEM	THERMOPLASTIC PART NUMBER	NOTE	
37	Standard	Dual	17.5"	Steel, Aluminum or Combo	2	VS-8301TM	(2)VS-33767-4 and (2)VS-33769-3	
			19.5"	Aluminum	2	VS-8302TM	(2)VS-33767-4 and (2)VS-33769-1	
				Steel or Combo	2	VS-8303TM	(2)VS-33767-2 and (2)VS-33769-3	
			22.5"	Aluminum	2	VS-8304TM	(2)VS-33767-5 and (2)VS-33769-1	
				Steel or Combo	2	VS-8305TM	(2)VS-33767-1 and (2)VS-33769-1	
				Alcoa ULT36 All Alum	2	VS-8309TM	(2)VS-33767-2, (2)VS-41701-1 and (8)VS-41770	
		24.5"	Alcoa ULT36 Steel Combo	2	VS-8310TM	(2)VS-33767-1, (2)VS-41701-1 and (4)VS-41770		
			Aluminum	2	VS-8306TM	(2)VS-33767-2 and (2)VS-33769-2		
		Super Single	22.5"	Steel or Combo	2	VS-8305TM	(2)VS-33767-1 and (2)VS-33769-1	
				*Aluminum (Outward Facing Stem)	2	VS-8311TM	(2) VS-33767-6	
				Steel (Outward Facing Stem)	2	VS-8307TM	(2)VS-33767-3	
		Integral Check Port - 1 - Port	Dual	22.5"	Steel (Inward Facing Stem)	2	VS-8308TM	(2)VS-33769-1
					Aluminum	2	VS-8404TM	(2)VS-40176-2 and (2)VS-40177-1
					Steel or Combo	2	VS-8405TM	(2)VS-40176-3 and (2)VS-40177-1
					Alcoa ULT36 All Alum	2	VS-8409TM	(2)VS-41076-4, (2)VS-41748-1 and (8)VS-41770
	Super Single		22.5"	Alcoa ULT36 Steel Combo	2	VS-8410TM	(2)VS-40176-3, (2)VS-41748-1 and (4)VS-41770	
				*Aluminum (Outward Facing Stem)	2	VS-8411TM	(2)VS-40176-5	
				Steel (Outward Facing Stem)	2	VS-8407TM	(2)VS-40176-1	
				Steel (Inward Facing Stem)	2	VS-8408TM	(2)VS-40177-1	
	Integral Check Port - 2 - Port		Dual	22.5"	Aluminum	2	VS-8504TM	(2)VS-41546-2 and (2)VS-41547-1
					Steel or Combo	2	VS-8505TM	(2)VS-41546-3 and (2)VS-41547-1
					Alcoa ULT36 All Alum	2	VS-8509TM	(2)VS-41546-4, (2)VS-41749-1 and (8)VS-41770
					Alcoa ULT36 Steel Combo	2	VS-8510TM	(2)VS-41546-3, (2)VS-41749-1 and (4)VS-41770
		Super Single	22.5"	*Aluminum (Outward Facing Stem)	2	VS-8511TM	(2)VS-41546-5	
				Steel (Outward Facing Stem)	2	VS-8507TM	(2)VS-41546-1	
				Steel (Inward Facing Stem)	2	VS-8508TM	(2)VS-41547-1	

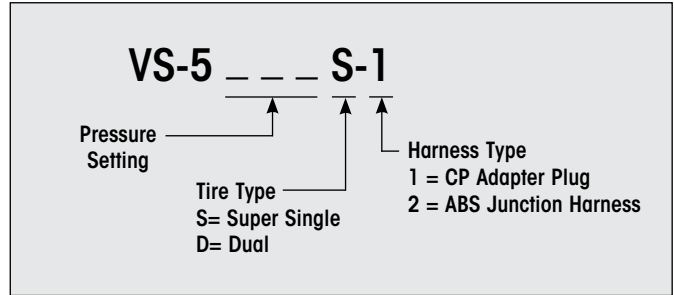
*For aluminum zero-offset wheels with outward facing stem, contact Hendrickson Engineering for applications support.



ITEM	DESCRIPTION	PART NO.	QTY. PER TANDEM	NOTE
1	EC to CP Retrofit Kit		1	

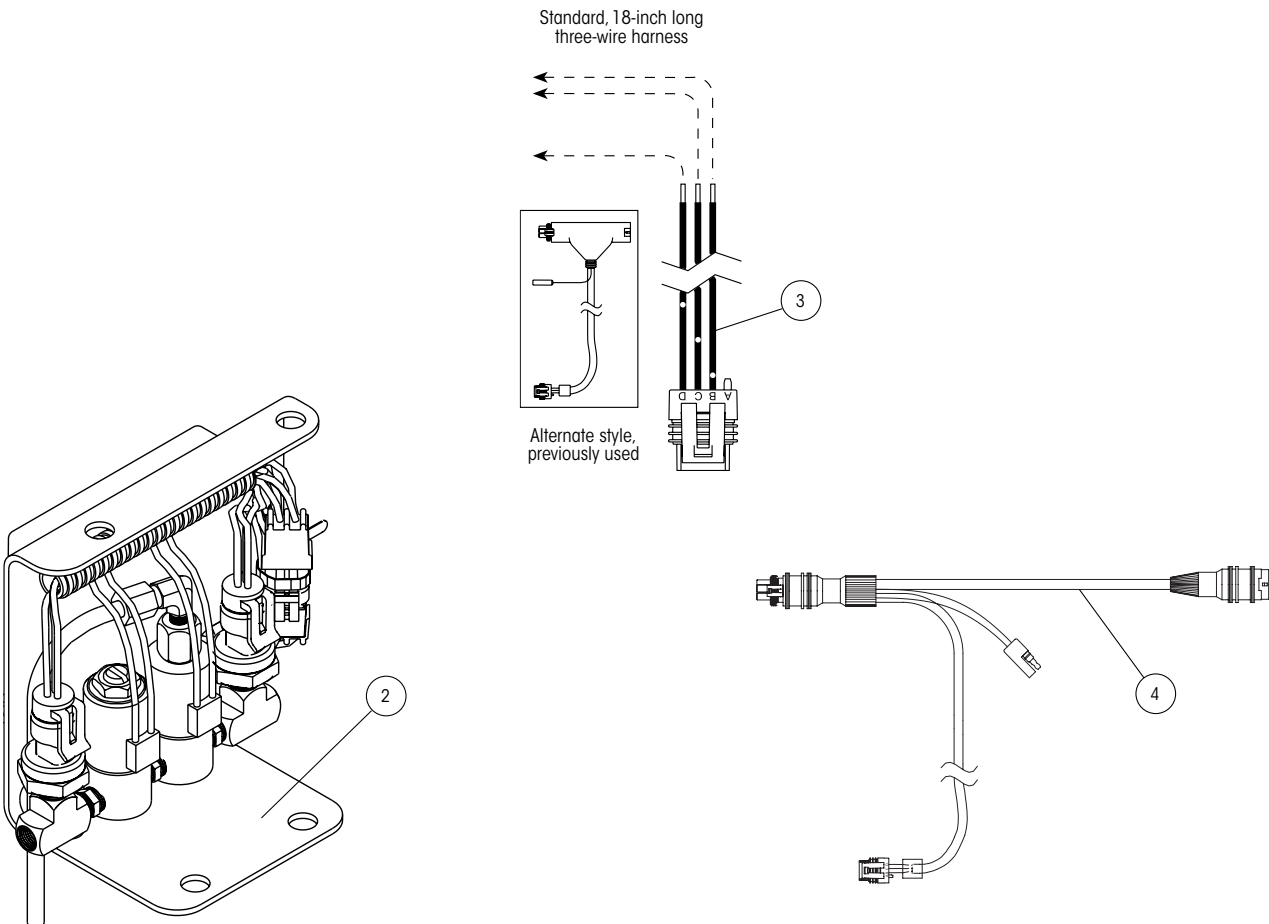
Model	PSI Range
TIREMAAX EC	70 to 130

Offered in 5 psi increments.



Example: Conversion Kit Part Number VS-5100S-1 is 100 psi for Super Single with CP Adapter Plug.

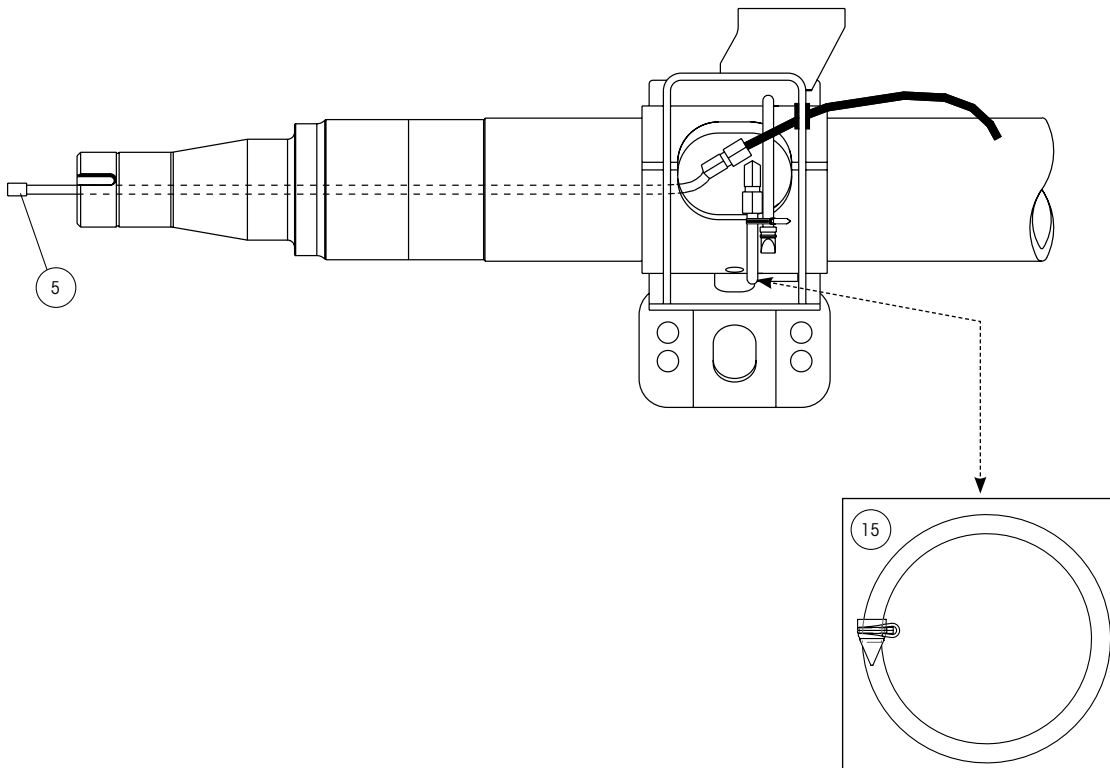
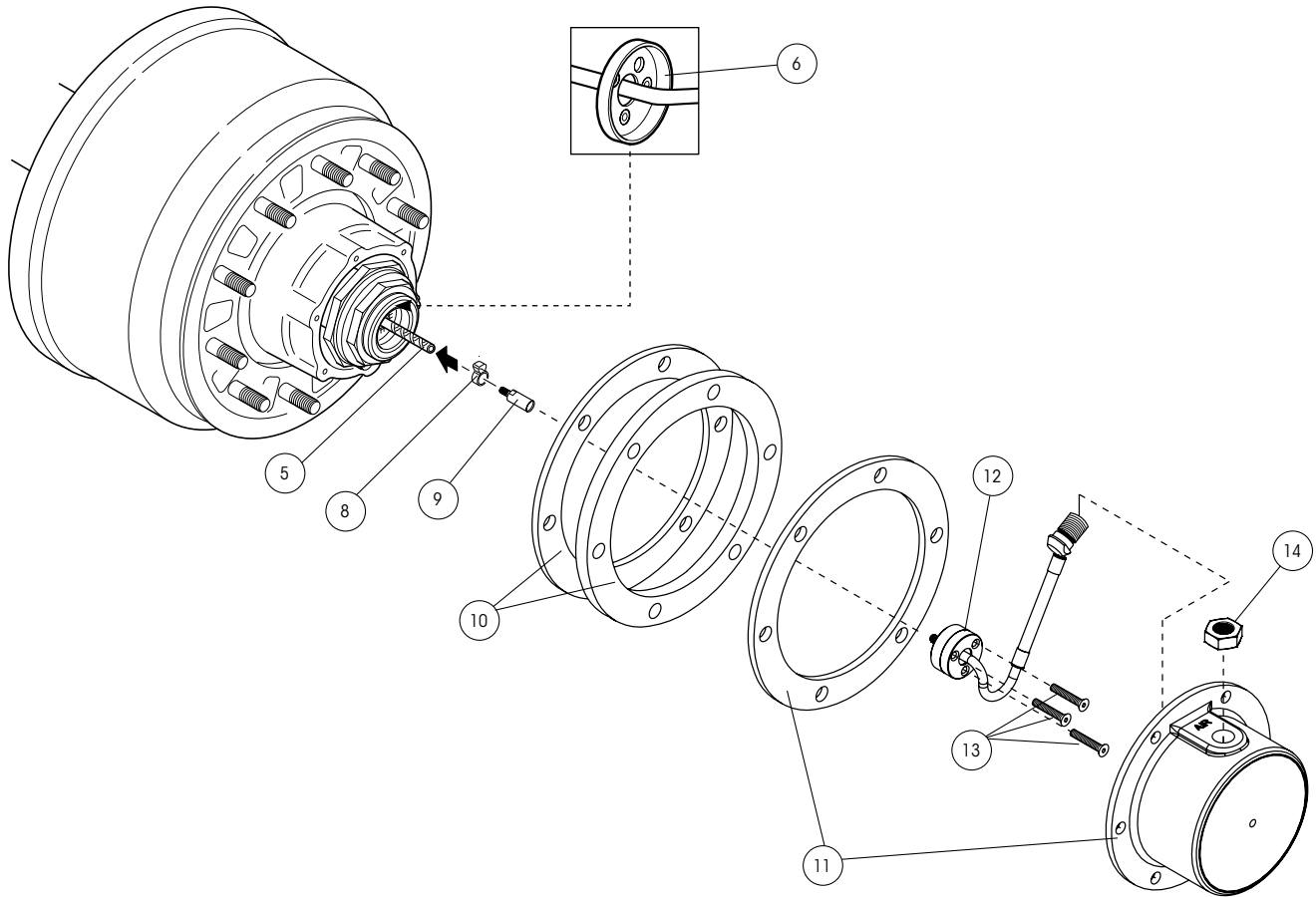
ITEM	DESCRIPTION	PART NO.	QTY. PER TANDEM	NOTE
2	EC Controller Assembly			No longer available — replace with item 1
3	EC Adapter Plug	VS-27771	1	18-inch; 4-way connector
4	EC ABS Junction Harness	VS-29884	1	15-foot; 4-way connector



TIREMAAX® EC and CP (With Spindle-Mounted Rotary Union)



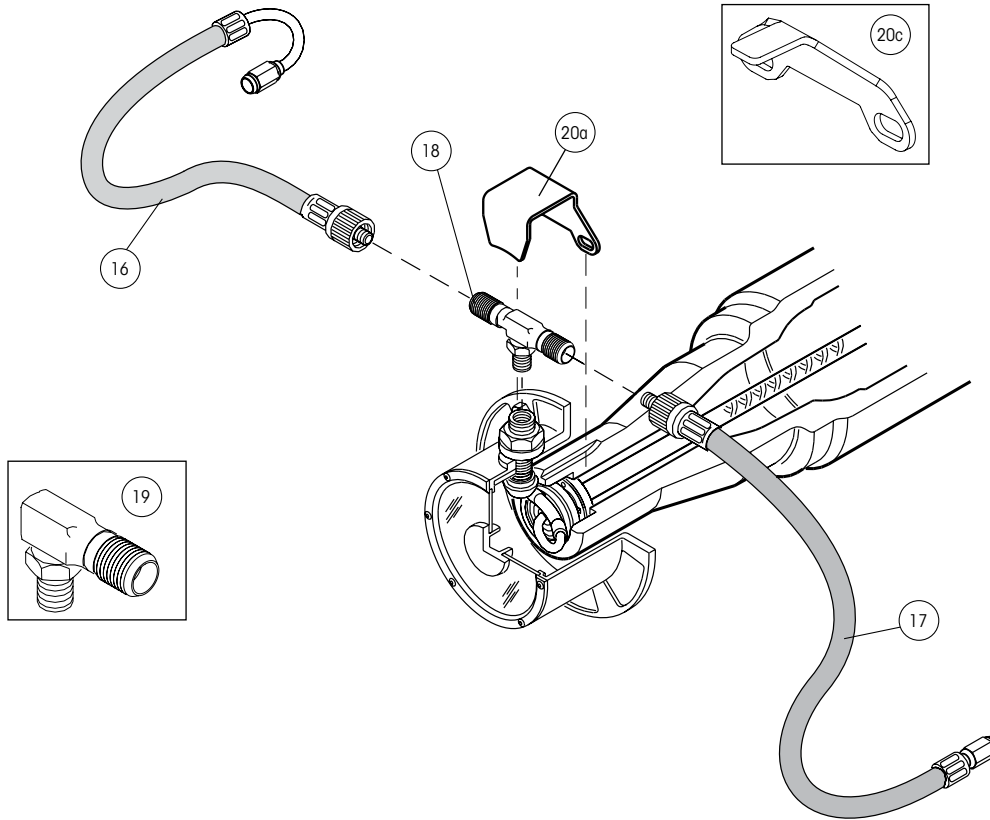
TIREMAAX® EC (With Spindle-Mounted Rotary Union)





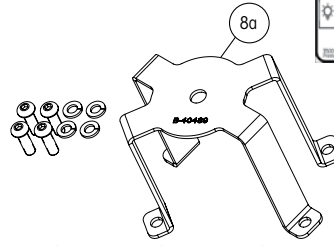
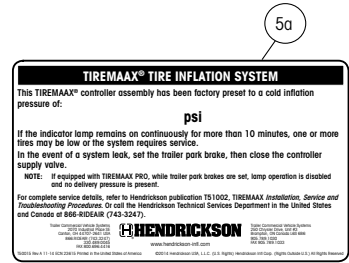
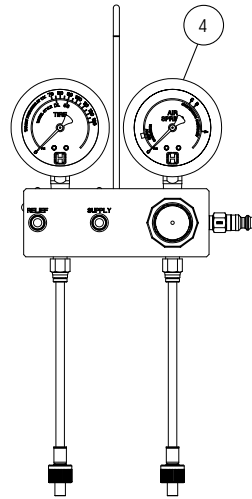
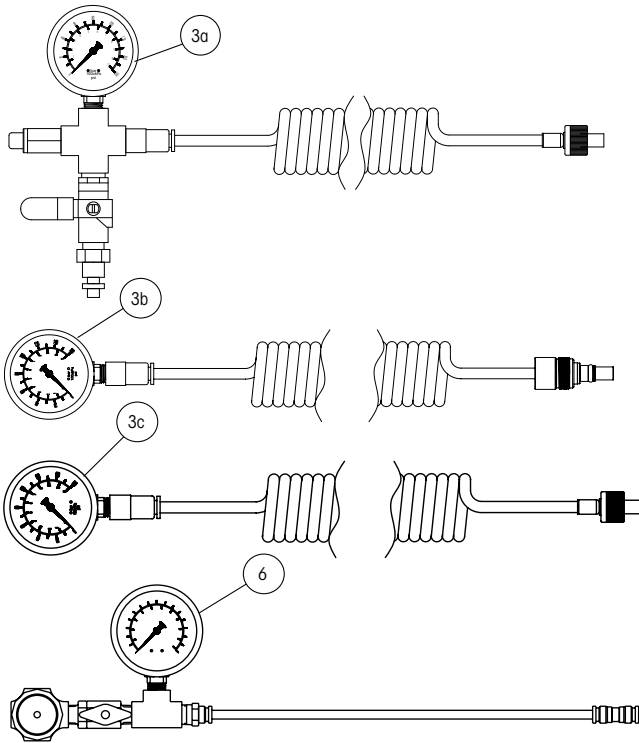
ITEM	DESCRIPTION	PART NO.	QTY. PER TANDEM	NOTE
5	AXLE HOSE			
	a INTRAAX® / VANTRAAX®	VS-29094-1	4	
	b TRLAXLE®	VS-29094-2	4	
6	SPINDLE PLUG ASSEMBLY			
	a HN - 1.75"	VS-27448	4	
	b HP - 2.50"	VS-27839	4	
	c HUS / P90 and HP - 2.75"	VS-27449	4	
7	AXLE FILTER (Not Shown)	A-24217	4	
8	AXLE HOSE CLAMP	VS-26451	4	Not required with threaded axle hose
9	HOSE END ADAPTER	VS-28865	4	Axle hose fitting and (2) axle hose clamps
10	HUBCAP SPACER KIT			
	a HN Hubcap Spacer Kit	S-28040	4	
	b HP Hubcap Spacer Kit	S-28093	4	
11	HUBCAP			
	a HN Grease - Standard	VS-29566-1	4	Bolt-on hubcap, gasket and fasteners
	b HN Oil - Standard	VS-29566-3	4	Bolt-on hubcap, gasket and fasteners
	c HP Grease - Standard	VS-29566-2	4	Bolt-on hubcap, gasket and fasteners
	d HP Oil - Standard	VS-29566-4	4	Bolt-on hubcap, gasket and fasteners
	e HUS / P90 Screw-on	(No Longer Available)	4	Contact Hendrickson Technical Service
	f HUS / P90 6-bolt	VS-29566-2	4	Bolt-on hubcap, gasket and fasteners
	g HUS / P90 3-bolt	S-29227-2	4	Bolt-on hubcap with integrated o-ring
	h HN Grease - Stemco Extended for Pro-Torq® Nut	(No Longer Available)		Replaced by 11a and 10a
	i HP Grease - Stemco Extended for Pro-Torq Nut	(No Longer Available)		Replaced by 11c and 10b
	j HN Oil - Stemco Extended for Pro-Torq Nut	(No Longer Available)		Replaced by 11b and 10a
	k HP Oil - Stemco Extended for Pro-Torq Nut	(No Longer Available)	4	Replaced by 11d and 10b
12	ROTARY UNION KITS			
	a No Spindle Plug	S-28622	4	(1) rotary union assembly, (1) hose clamp, (4) machine screws, (1) hose end adapter and (1) jam nut
	b HN Spindle Plug	S-28192	4	(1) rotary union assembly, (1) 1.75" spindle plug, (1) hose clamps, (4) machine screws, (1) hubcap gasket, (1) hose end adapter and (1) jam nut
	c HP and HUS/P90 Spindle Plug	S-28193	4	(1) rotary union assembly, (1) 2.75" spindle plug, (1) hose clamps, (4) machine screws, (1) hubcap gasket, (1) hubcap o-ring, (1) hose end adapter and (1) jam nut
13	COUNTERSUNK CAP SCREW	SA-8200-8	12	Order (3) per rotary union
14	JAM NUT	VS-26487	4	
15	AXLE VENT KIT W/ DUCK BILL CHECK	VS-27378	4	

TIREMAAX® EC and CP
 (With Spindle-Mounted Rotary Union)



TIREMAAX® EC and CP (With Spindle-Mounted Rotary Union)

ITEM	DESCRIPTION	PART NO.	QTY. PER TANDEM	NOTE
16	TIRE HOSE - 180-DEGREE FITTING			
a	Stainless Steel Tire Hose 11.5"	VS-29004-1	4	Dual tire size 17" - 19.5"
b	Stainless Steel Tire Hose 15"	VS-29004-2	4	Dual tire size greater than 19.5"
17	TIRE HOSE - STRAIGHT FITTING			
a	Stainless Steel Tire Hose 16.6"	VS-29003-1	4	Dual tire size greater than 17"; Super single tire size 22.5"
18	TEE FITTING	VS-29854	4	For dual tires
19	90-DEGREE ELBOW FITTING	VS-30002	4	For super single tires
20	TEE FITTING GUARD			
a	HN and HP, Standard Bolt-On	VS-27890	4	For use with dual dynamic hubcaps
b	HN and HP, Extended Bolt-On (Not Shown)	VS-30451	4	For use with Stemco extended hubcaps
c	HUS Bolt-on	S-28914	4	6 bolts



ITEM	DESCRIPTION	PART NO.	QTY.	NOTE
1	PLUG DRIVER			
a	HN (1.75")	S-28146-1	1	
b	HP (2.50")	S-28146-2	1	
c	HP and HUS® / P90 (2.75")	S-28146-3	1	
d	Driver Handle	S-27399	1	
2	SPANNER WRENCH	S-29430	1	
3	TARGET GAUGE			
a	PRO	VS-32331	1	
b	CP with Hubcap-Mounted Rotary Union	VS-32344	1	
c	CP with Spindle-Mounted Rotary Union	VS-30468	1	
4	PRO-LB / PRO FIELD ADJUSTMENT TOOL	VS-41241-1	1	
5	DECAL			
a	PRO / CP Blank PSI Decal	T50015	1	Fill in and adhere to controller lid after resetting cold tire pressure
b	PRO-LB Blank PSI Decal	T50019	1	Fill in and adhere to controller lid after resetting cold tire pressure
6	PRESSURE TESTER	VS-28707	1	For EC controller
7	TIRE HOSE / WHEEL GROMMET (Not Shown)			
a	1.5" Hand Hole with Offset Valve Stem	VS-33675	2	(2) Grommets per kit
b	2.0" Hand Hole with Centered Valve Stem	VS-33107	2	(2) Grommets per kit
c	2.5" Hand Hole with Centered Valve Stem	VS-33108	2	(2) Grommets per kit
d	2.5" Hand Hole with Offset Valve Stem	VS-33109	2	(2) Grommets per kit
e	ULT36 Tire Hose Grommet	VS-41770	1	(1) Grommet per kit - (4) Grommets needed per wheel-end
8	CP / PRO / PRO-LB HUBODOMETER MOUNTING BRACKET KITS			For models with hubcap-mounted rotary union
a	HN	VS-41837-1	1	Bracket and fasteners
b	HP	VS-41837-2	1	Bracket and fasteners
c	Extended HP	VS-41837-3	1	Bracket and fasteners
d	HX	VS-41837-4	1	Bracket and fasteners. For use with Outboard Mounted Rotor.



Actual product performance may vary depending upon vehicle configuration, operation, service and other factors.

All applications must comply with applicable Hendrickson specifications and must be approved by the respective vehicle manufacturer with the vehicle in its original, as-built configuration.

Contact Hendrickson for additional details regarding specifications, applications, capacities, and operation, service and maintenance instructions.

Call Hendrickson at 866.RIDEAIR (743.3247) for additional information.



www.hendrickson-intl.com

TRAILER COMMERCIAL VEHICLE SYSTEMS

2070 Industrial Place SE
Canton, OH 44707-2641 USA
866.RIDEAIR (743.3247)
Fax 800.696.4416

Hendrickson Canada ULC

2825 Argentic Road, Unit #2 - 4
Mississauga, ON Canada L5N 8G6
800.668.5360
905.789.1030 • Fax 905.812.9423

Hendrickson Mexicana

Circuito El Marqués Sur #29
Parque Industrial El Marqués
Pob. El Colorado, Municipio El Marqués,
Querétaro, México C.P. 76246
+52 (442) 296.3600 • Fax +52 (442) 296.3601