



PARTS LIST

KGI STEERABLE AXLE – UP TO 2019

LIT NO: 97114-073

DATE: April 2023

REVISION: F

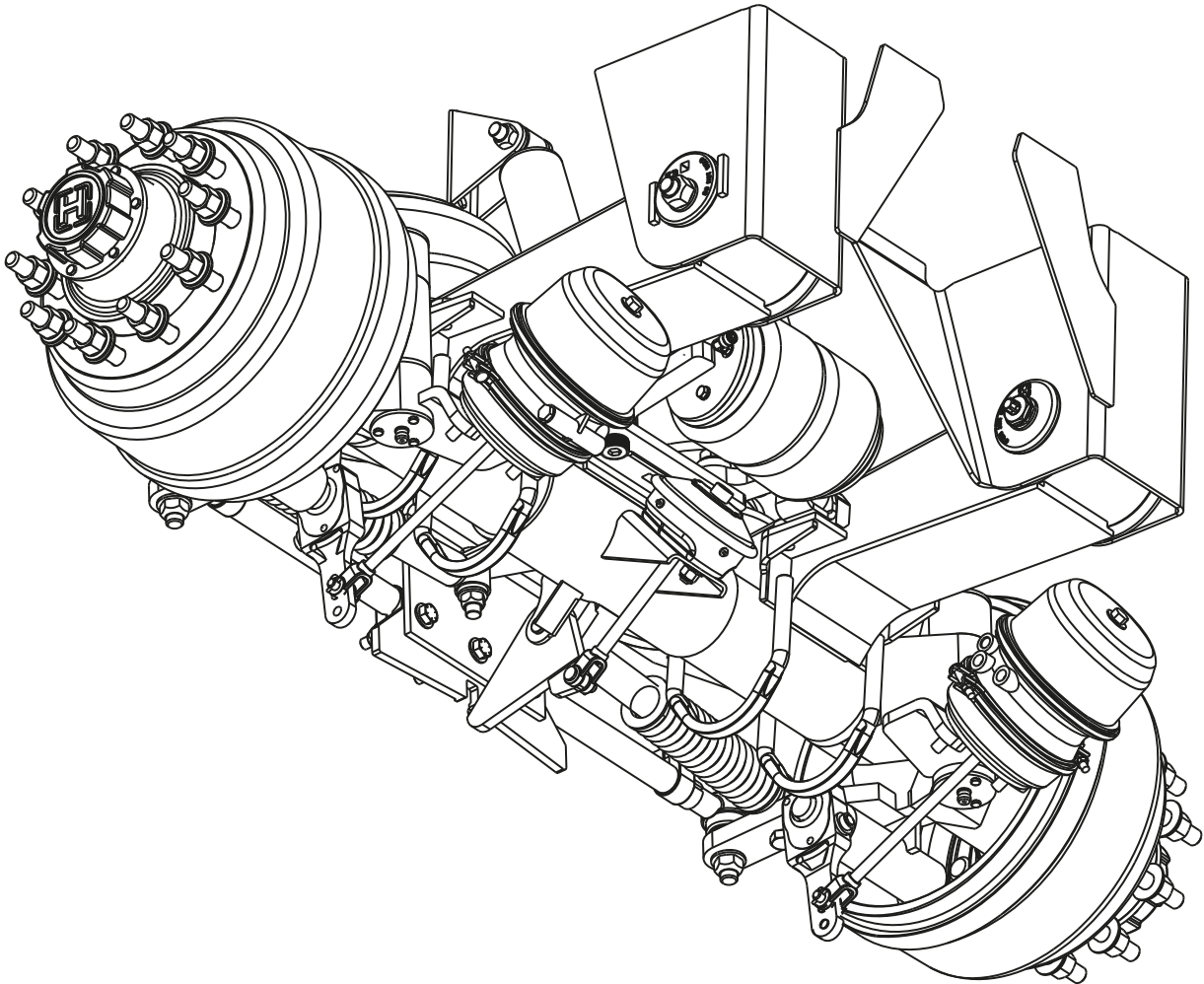




TABLE OF CONTENTS

ABBREVIATIONS.....	2
INTRODUCTION	3
AXLE IDENTIFICATION	3
AXLE ASSEMBLY	4
S-CAM & HARDWARE	5
S-CAM IDENTIFICATION.....	5
DRUM BRAKE DUST SHIELD	6
STEERING KNUCKLE & SPINDLE ASSEMBLY	7
KING PIN ASSEMBLY	8
STEERING DAMPER & HARDWARE	9
TIE ROD & TIE ROD ENDS	10
REVERSE LOCKOUT HARDWARE	11
REVERSE LOCKOUT PNEUMATIC SYSTEM	12
SELF-CENTRING HARDWARE	13
SELF-CENTRING MOUNTS	14
SELF-CENTRING PNEUMATIC SYSTEM	15

Document Interactivity

The interactive **Table of Contents** allows users to quickly navigate to the appropriate page with a single mouse click. The **INDEX** button at the bottom of each page returns you to the **Table of Contents**. Other links within the document are identified by black underlined text, whereas links to external websites are identified by blue underlined text.

ABBREVIATIONS

Abbreviations used in this document include the following terms:

- AR – As Required
- Assy – Assembly
- N/A – Not Available
- NLA – No Longer Available
- NSS – Not Serviced Separately

INTRODUCTION

The purpose of this parts list is to document the available repair parts for KGI steerable axle assemblies, equipped with either disc (NZ only) or drum brakes, as supplied by Hendrickson Asia Pacific up to 2019.

This parts list should be used in conjunction with the following Hendrickson parts listings:

- [97114-100 Trailer Wheel End Systems Parts List](#)
- [97114-097 Trailer Brake Systems Parts List](#)

This parts list supports the common KGI steerable axle assemblies available from Hendrickson Asia Pacific and may not provide detail of all variants available, either currently or previously on a special-order basis.

NOTE: All quantities listed within this parts list are as applicable for a single axle.

AXLE IDENTIFICATION

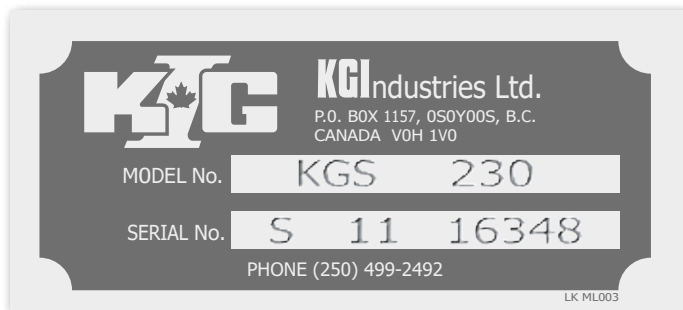


Figure 1: Early Axle ID Plate

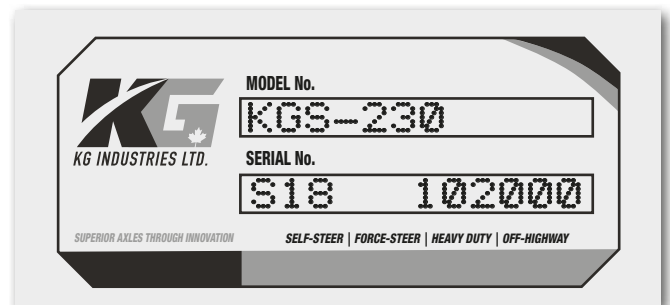


Figure 2: Late Axle ID Plate

To assist with the identification of a KGI steerable axle assembly, reference should be made to the axle identification plate. Plate design varies depending on date of manufacture, but the details are similar. Refer to [Figure 1](#) and [Figure 2](#).

The axle ID plate is usually found centrally on the forward side of the axle tube and provides the following information:

- MODEL
- AXLE SERIAL NUMBER

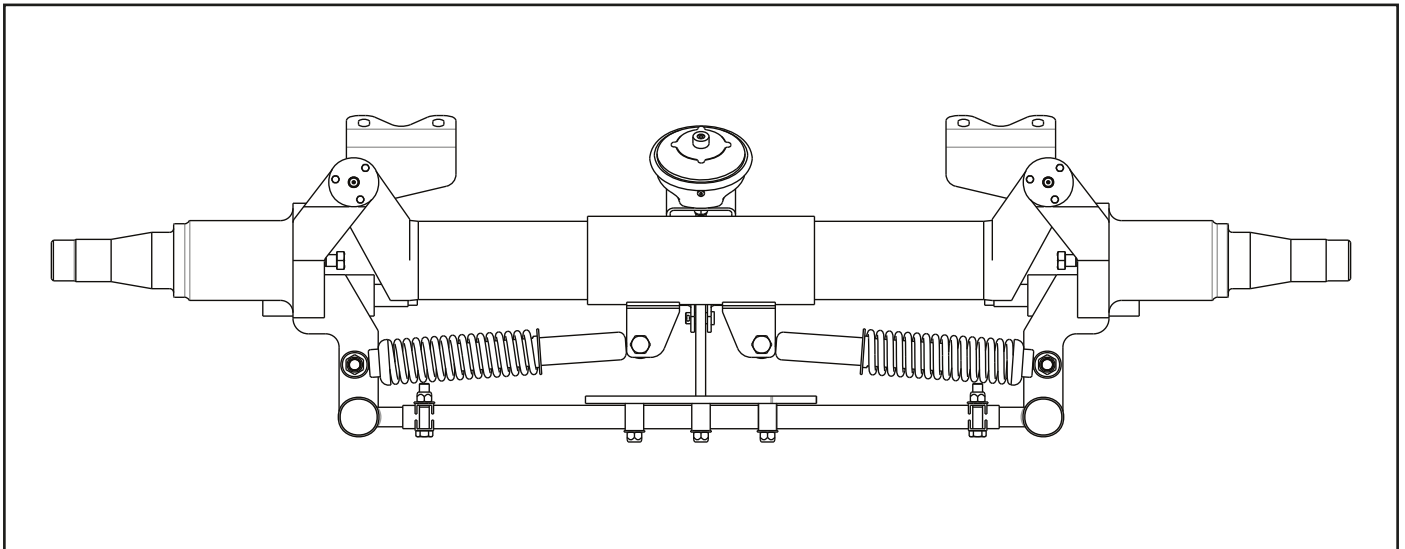


Figure 3: HT Beam Identification

The HT suspension beams will each have an identification plate. Details from these plates may be required for warranty purposes or if additional identification is required. Refer to the relevant HT parts list if any service parts are required for the suspension beams. Refer to [Figure 3](#).



AXLE ASSEMBLY



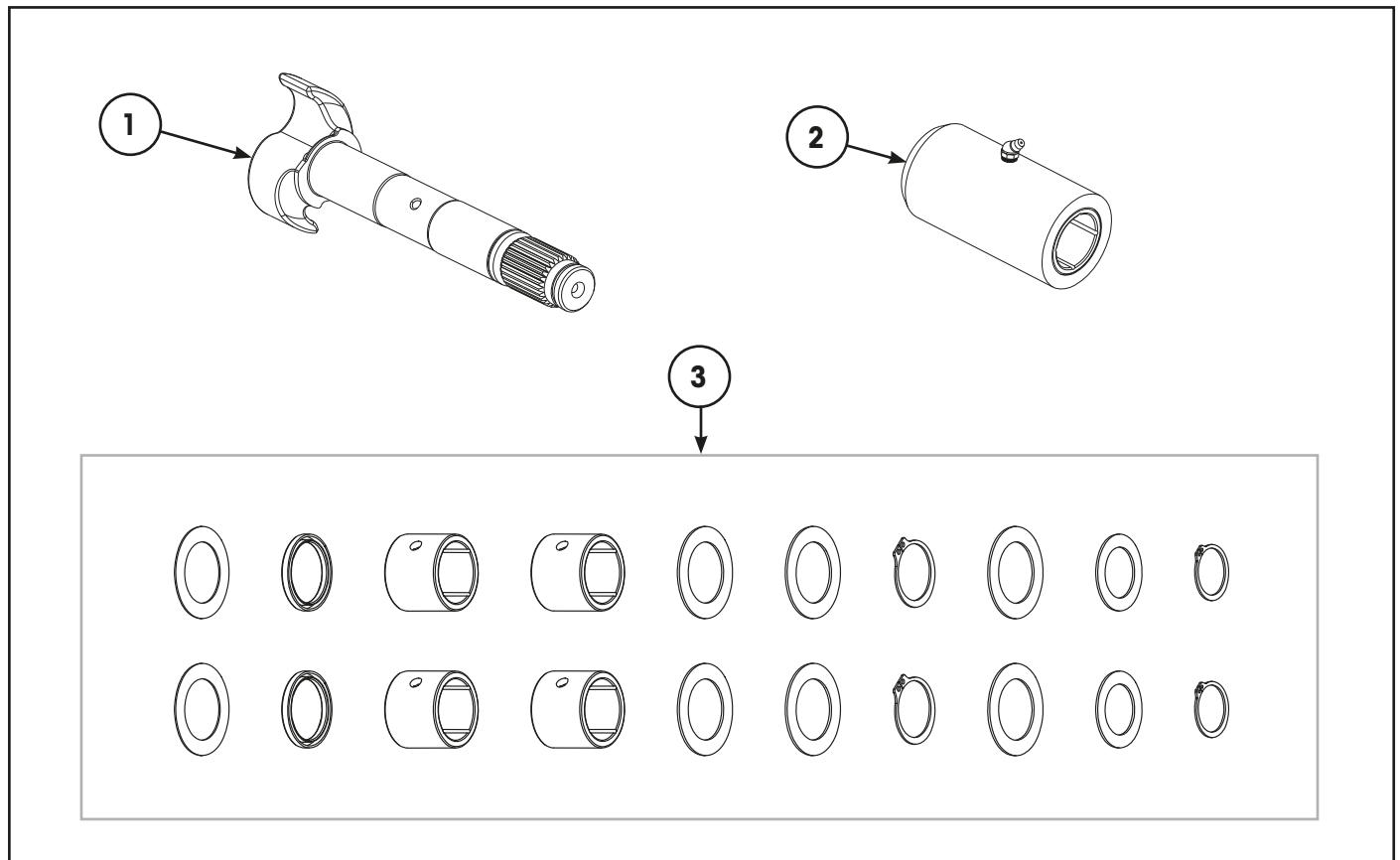
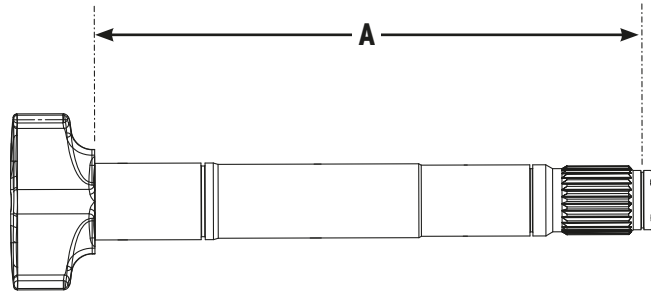
Part Number	Description	Qty	Notes
NLA	KGS230 Axle Assy, Steerable – 73 Inch Track	1	15 Inch Drum Brake
98785-125	KGS230 Axle Assy, Steerable – 73 Inch Track	1	16.5 Inch Drum Brake
NLA	KGS250 Axle Assy, Steerable – 73 Inch Track	1	16.5 Inch Drum Brake
NLA	KGS230 Axle Assy, Steerable – 83.5 Inch Track	1	430 mm Disc Brake

NOTE: 98785-125 includes reverse lock chamber, steering dampers, brake shoes, S-Cams, Haldex 6.0 Inch automatic slack adjusters and dust shields.

S-CAM & HARDWARE

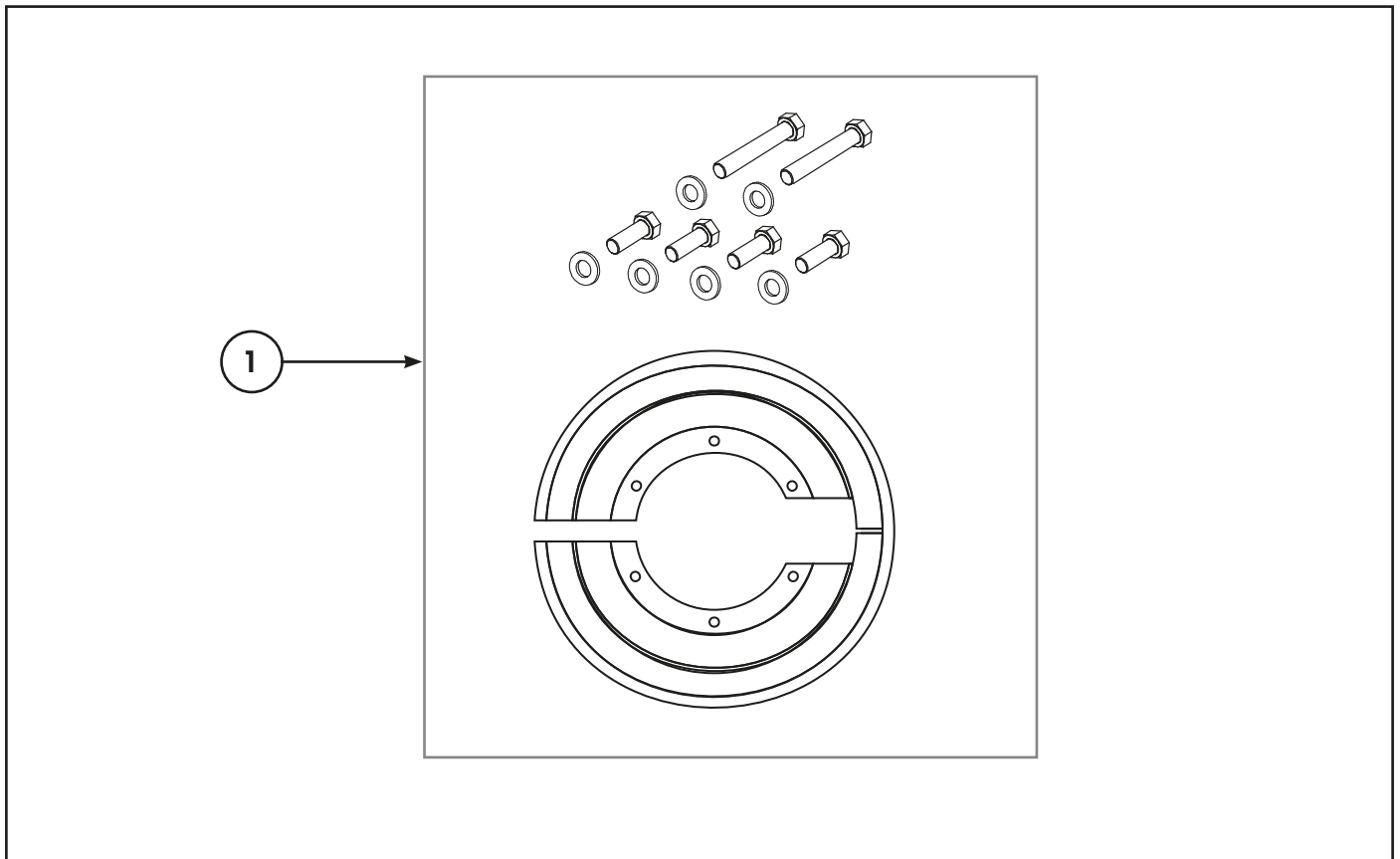
S-CAM IDENTIFICATION

To identify the correct S-Cam fitted to KGI steerable axles, the shaft length (refer to dimension **A**) and slack adjuster spline configuration must be determined.



Item	Part Number	Description	Qty	Notes
1	98785-154	S-Cam, 10 Spline – LH - KB750	1	7-7/8 Inch (200 mm) Long
	98785-155	S-Cam, 10 Spline – RH - KB750	1	7-7/8 Inch (200 mm) Long
	98785-156	S-Cam, 10 Spline – LH - KB750A	1	9-3/4 Inch (248 mm) Long
	98785-157	S-Cam, 10 Spline – RH - KB750A	1	9-3/4 Inch (248 mm) Long
	98785-127	S-Cam, 28 Spline – LH - KB750B (Q Plus)	1	9-3/4 Inch (248 mm) Long
	98785-128	S-Cam, 28 Spline – RH - KB750B (Q-Plus)	1	9-3/4 Inch (248 mm) Long
2	98785-138	Cam Tube – 28 Spline KGS230	2	Includes grease nipple and one bush.
	98785-139	Cam Tube – 10 Spline KGS230	2	
3	98785-140	Repair Kit – 10 Spline S-Cam Hardware	1	Contains hardened washers, bushes, seals, and retaining clips.
	98785-130	Repair Kit – 28 Spline S-Cam Hardware	1	

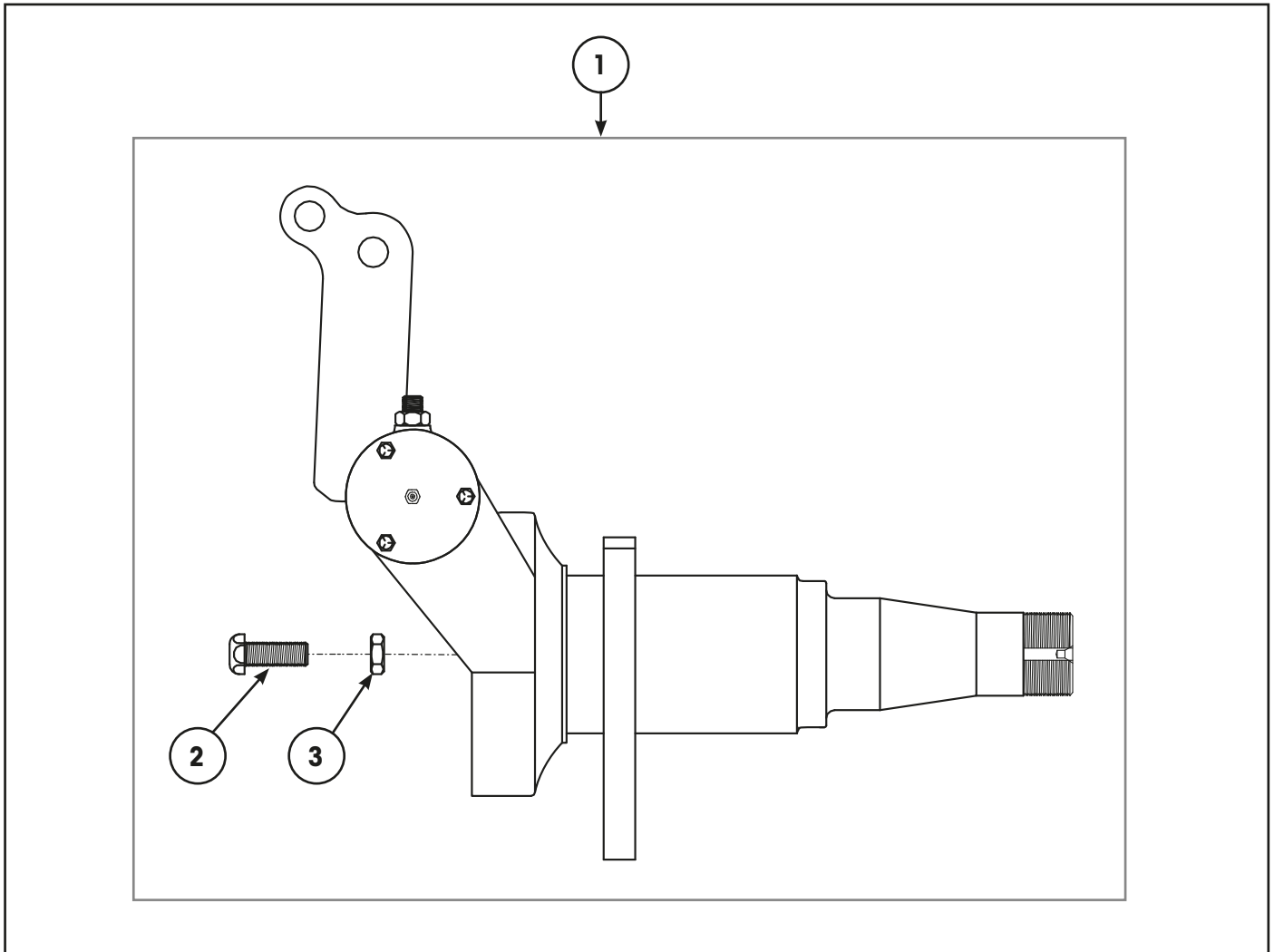
DRUM BRAKE DUST SHIELD



Item	Part Number	Description	Qty	Notes
1	98785-126	Kit, Dust Shield – 16.5 x 7 Inch Drum Brake	2	Includes mounting fasteners.

NOTE: Brake dust shield is not fitted on 16.5 x 8-5/8 Drum Brakes. Further brake system parts, such as linings, rollers and springs, can be found in Brake System Parts bulletin [97114-097](#).

STEERING KNUCKLE & SPINDLE ASSEMBLY

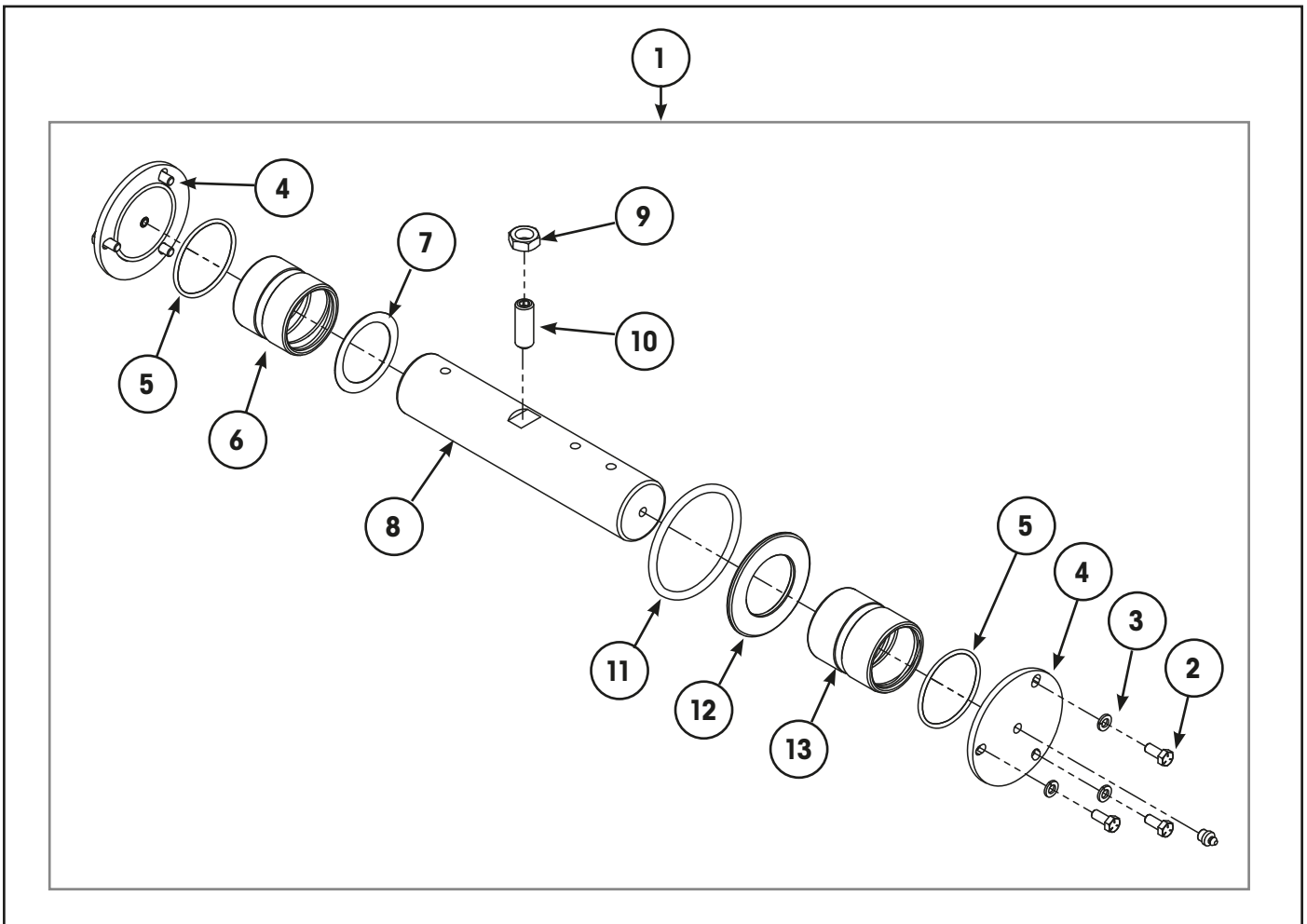


Item	Part Number	Description	Qty	Notes
1	98785-152	Steering Knuckle & Spindle Assy – LH	1	Disc Brake – NZ Only
	98785-153	Steering Knuckle & Spindle Assy – RH	1	
	98785-159	Steering Knuckle & Spindle Assy – LH	1	15 Inch Drum Brake (98785-132 axle)
	98785-160	Steering Knuckle & Spindle Assy – RH	1	
	98785-161	Steering Knuckle & Spindle Assy – LH	1	16.5 Inch Drum Brake (98785-125 axle)
	98785-162	Steering Knuckle & Spindle Assy – RH	1	
2	NSS	Bolt, Steering Stop – 3/4 UNF x 2 Inch	2	Use item 1.
3	NSS	Jam Nut, Steering Stop – 3/4 UNF	2	Use item 1.

NOTE: All steering knuckle & spindle assemblies listed are supplied with the king pin bushes and caps pre-installed. The king pin, thrust bearings and O-ring are NOT included. Hendrickson recommend the replacement of the king pin and associated bearings in instances where a new steering knuckle and spindle assembly is being installed.

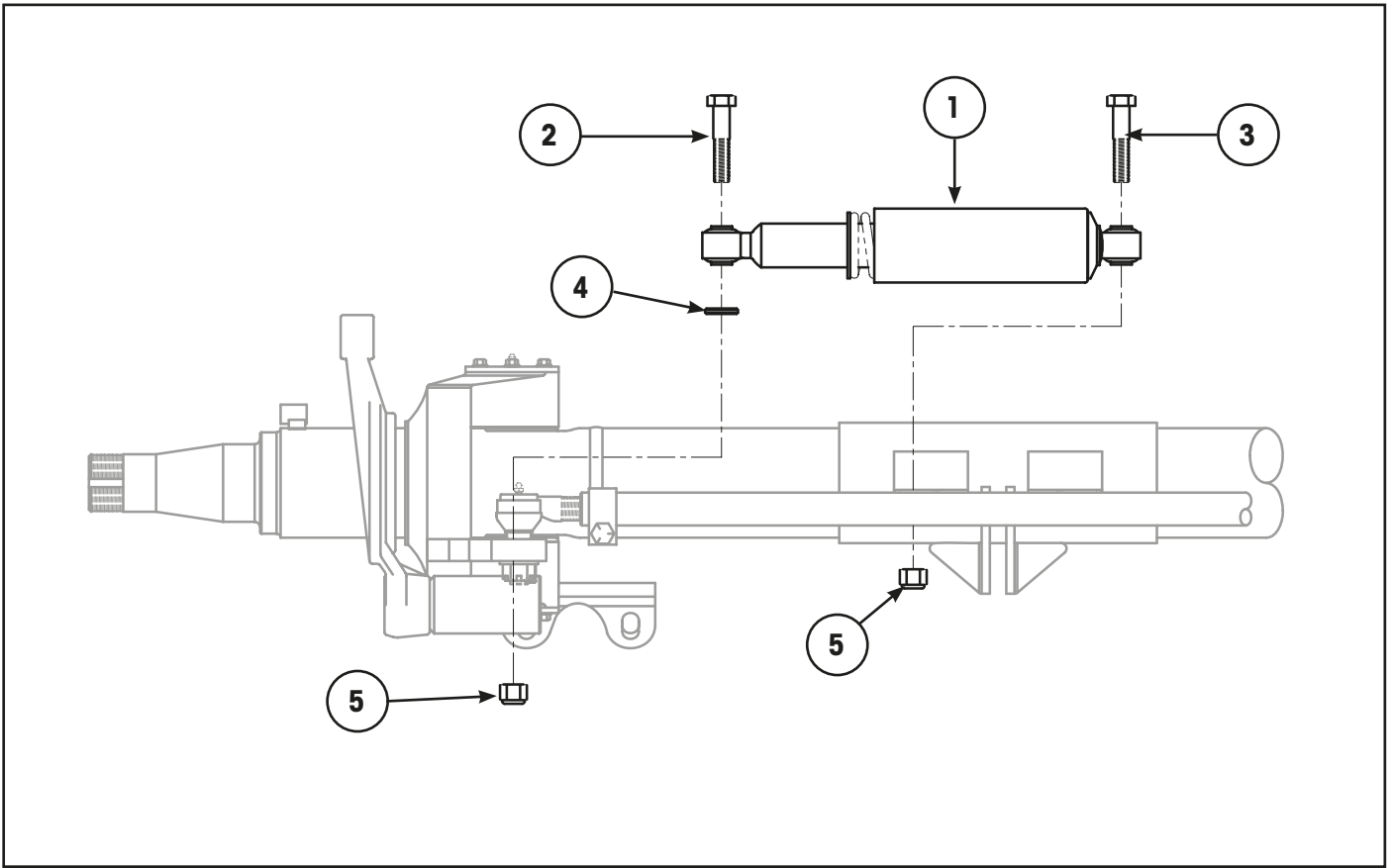


KING PIN ASSEMBLY



Item	Part Number	Description	Qty	Notes
1	98785-068	Kit, King Pin Overhaul	1	To Suit KGS230. Refer exploded view.
	98785-069	Kit, King Pin Overhaul	1	To Suit KGS250. Refer exploded view.
2	NSS	Bolt, Dust Cap – 5/16 UNF x 3/4 Inch	12	Use Item 1.
3	NSS	Washer, Lock – 5/16	12	Use Item 1.
4	NSS	Cap, Dust – King Pin	4	Use Item 1. Includes grease fitting.
5	NSS	O-Ring, Dust Cap	4	Use Item 1.
6	NSS	Bushing, King Pin – Upper	2	Use Item 1.
7	NSS	Thrust Washer, Upper	2	Use Item 1.
8	NSS	King Pin	2	Use Item 1.
9	NSS	Nut, Jam – 5/8 UNC	2	Use Item 1.
10	NSS	Set Screw, Allen Head 5/8 UNC x 3/4 Inch	2	Use Item 1.
11	NSS	O-Ring, Thrust Bearing	2	Use Item 1.
12	NSS	Thrust Bearing, Lower	2	Use Item 1.
13	NSS	Bushing, King Pin – Lower	2	Use Item 1.
14	NSS	Grease Fitting, Straight – 1/8 NPT	2	Use Item 1.

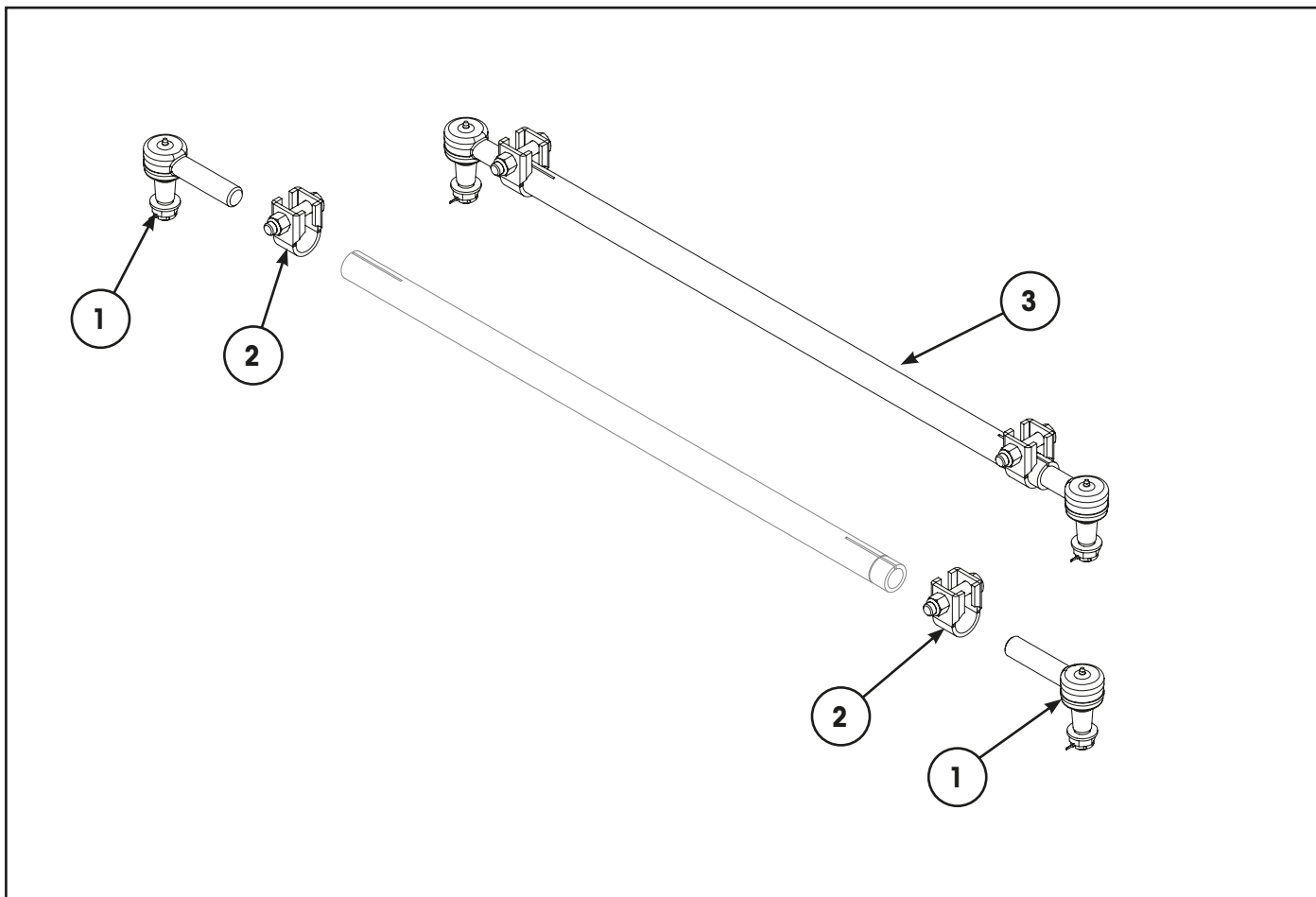
STEERING DAMPER & HARDWARE



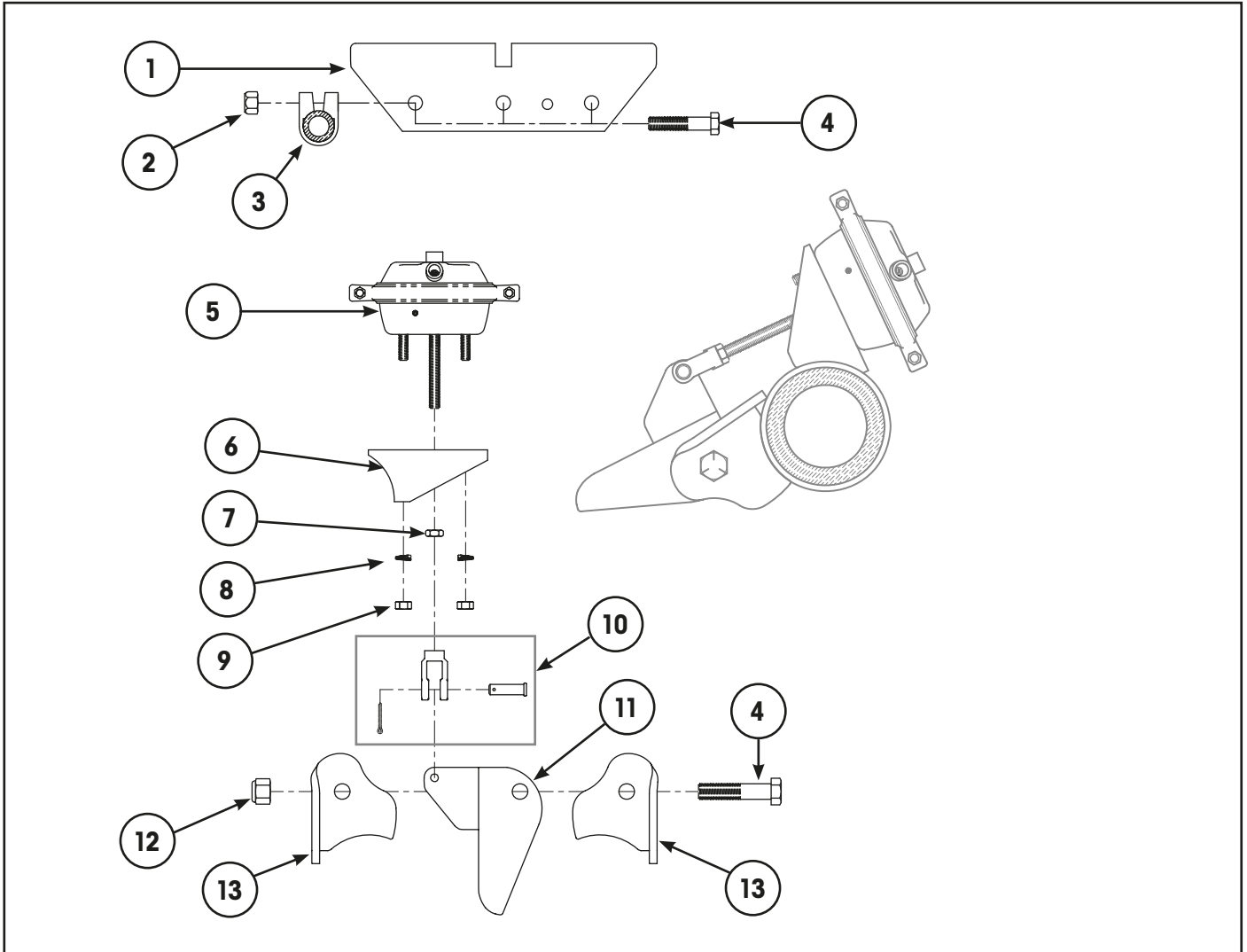
Item	Part Number	Description	Qty	Notes
1	98583-026	Steering Damper Assembly	2	
2	NSS	Bolt, Damper – 3/4 UNC x 4-1/4 Inch Long	2	
3	NSS	Bolt, Damper – 3/4 UNC x 3-1/4 Inch Long	2	
4	NSS	Spacer, Steering Damper	2	
5	NSS	Nut, Nyloc – 3/4 UNC	4	



TIE ROD & TIE ROD ENDS



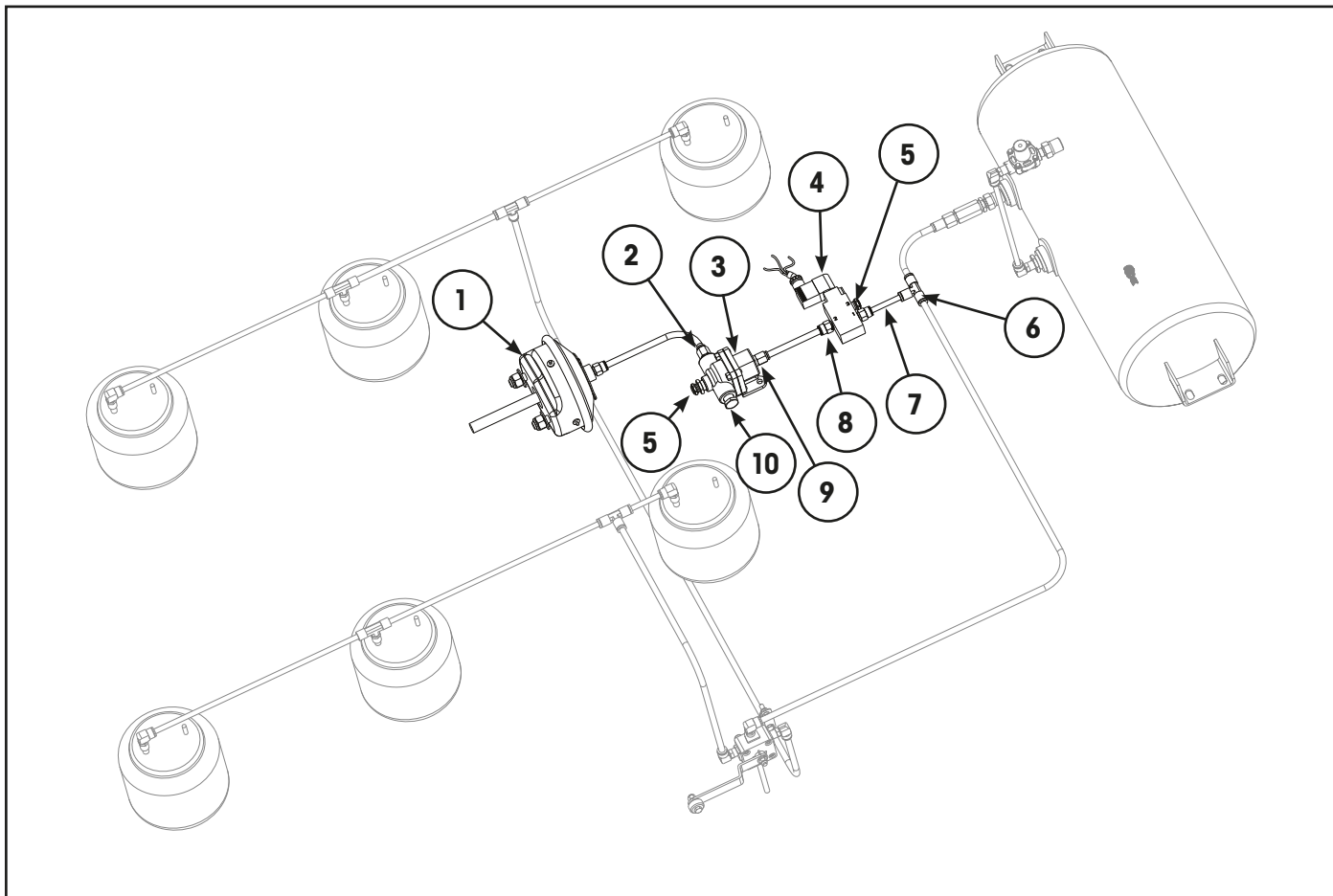
Item	Part Number	Description	Qty	Notes
1	98785-187	Tie Rod End, 1-1/8" UNF – Left Hand	1	To suit KGS230. Includes nut, washer & split pin.
	98785-188	Tie Rod End, 1-1/8" UNF – Right Hand	1	
	98785-141	Tie Rod End, 1-1/4" UNF – Left Hand	1	To suit KGS250. Includes nut, washer & split pin.
	98785-142	Tie Rod End, 1-1/4" UNF – Right Hand	1	
2	98870-172	Clamp, Tie Rod End – 1.5 Inch ID	2	To suit KGS230. Includes bolt & nut.
	98870-070	Clamp, Tie Rod End – 2.0 Inch ID	2	To suit KGS250. Includes bolt & nut.
3	98785-169	Tie Rod Assembly. Includes tie rod 1.5 Inch (38 mm) OD x 38 Inch (965 mm) long.	1	To suit KGS230. Assembly includes tie-rod, two tie-rod ends and two clamps, items 1 & 2.

REVERSE LOCKOUT HARDWARE


Item	Part Number	Description	Qty	Notes
1	98544-252	Plate – Reverse Lockout	1	
2	NSS	Nut, Tie Rod Clamp – 5/8 UNC Grade 5	3	
3	NSS	Clamp, Tie Rod to Plate	3	
4	32043-008	Bolt, Tie Rod Clamp – 5/8 UNC x 4 Inch	3	
5	98785-165	Chamber, Air – Reverse Lockout Latch	1	Includes item 10.
6	NSS	Bracket, Air Chamber Mounting	1	
7	NSS	Jam Nut, Air Chamber Rod – 1/2 UNF	1	
8	NSS	Lock Washer, Air Chamber – 7/16	2	
9	NSS	Nut, Air Chamber – 7/16 UNC	2	
10	NSS	Clevis, Air Chamber Rod	1	Included in Item 5.
11	98785-136	Latch, Reverse Lockout	1	
12	47764-000	Nut, Reverse Lockout Latch – 5/8" UNC	1	
13	NSS	Bracket, Lockout Latch Mounting, RH	1	
	NSS	Bracket, Lockout Latch Mounting, LH	1	



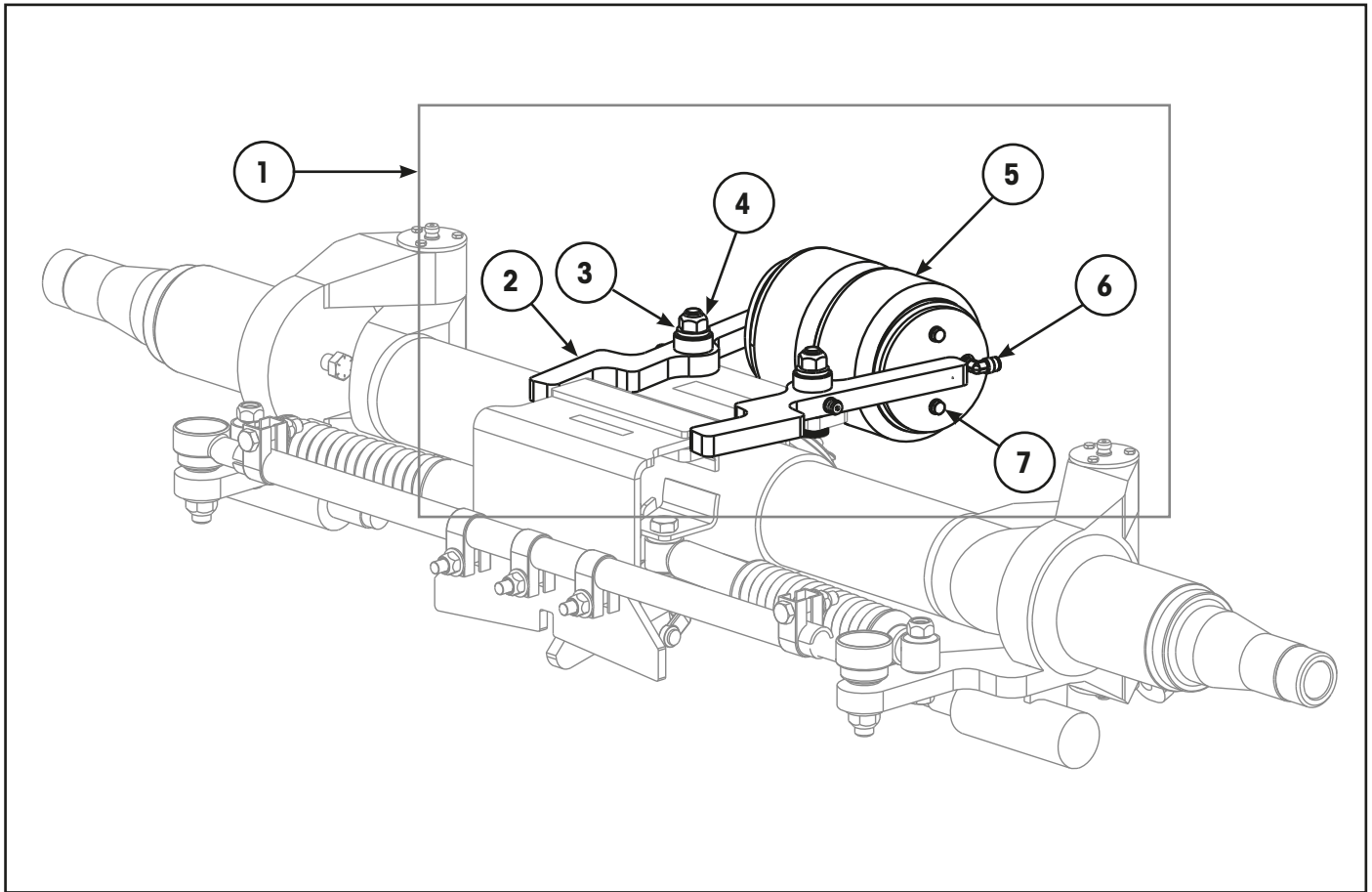
REVERSE LOCKOUT PNEUMATIC SYSTEM



Item	Part Number	Description	Qty	Notes
1	98785-165	Chamber, Air – Reverse Lockout Latch	1	
2	98934-020	Bush, Reducing – 3/8" Male x 1/4" NPT Female	1	
3	98732-024	Quick Release Valve	1	
4	98732-043	Solenoid Valve, 12 Volt Electric	1	
5	98732-012	Silencer, Exhaust – 1/4" NPT Male	2	
6	98934-015	Air Fitting, Tee – 3/8" x 3/8" x 3/8" OD	1	
7	97009-004	Tube, Nylon – 3/8" OD x 4 Metre	1	
8	98732-019	Connector, Air – 3/8" OD Tube x 1/4" NPT Male	3	Single Steer
	98732-019	Connector, Air – 3/8" OD Tube x 1/4" NPT Male	4	Twin Steer
9	98934-019	Connector, Air – 3/8" OD Tube x 3/8" NPT Male	2	Single Steer
	98934-019	Connector, Air – 3/8" OD Tube x 3/8" NPT Male	3	Twin Steer
10	98934-021	Plug, Hex – 3/8" NPT	1	Single Steer
11	98606-071	Pneumatic Kit, Reverse Lockout – Single Steer	1	Not Illustrated. Includes Items 2 to 10
	NLA	Pneumatic Kit, Reverse Lockout – Twin Steer	1	

NOTE: For illustration purposes, the single steer axle system is shown above.

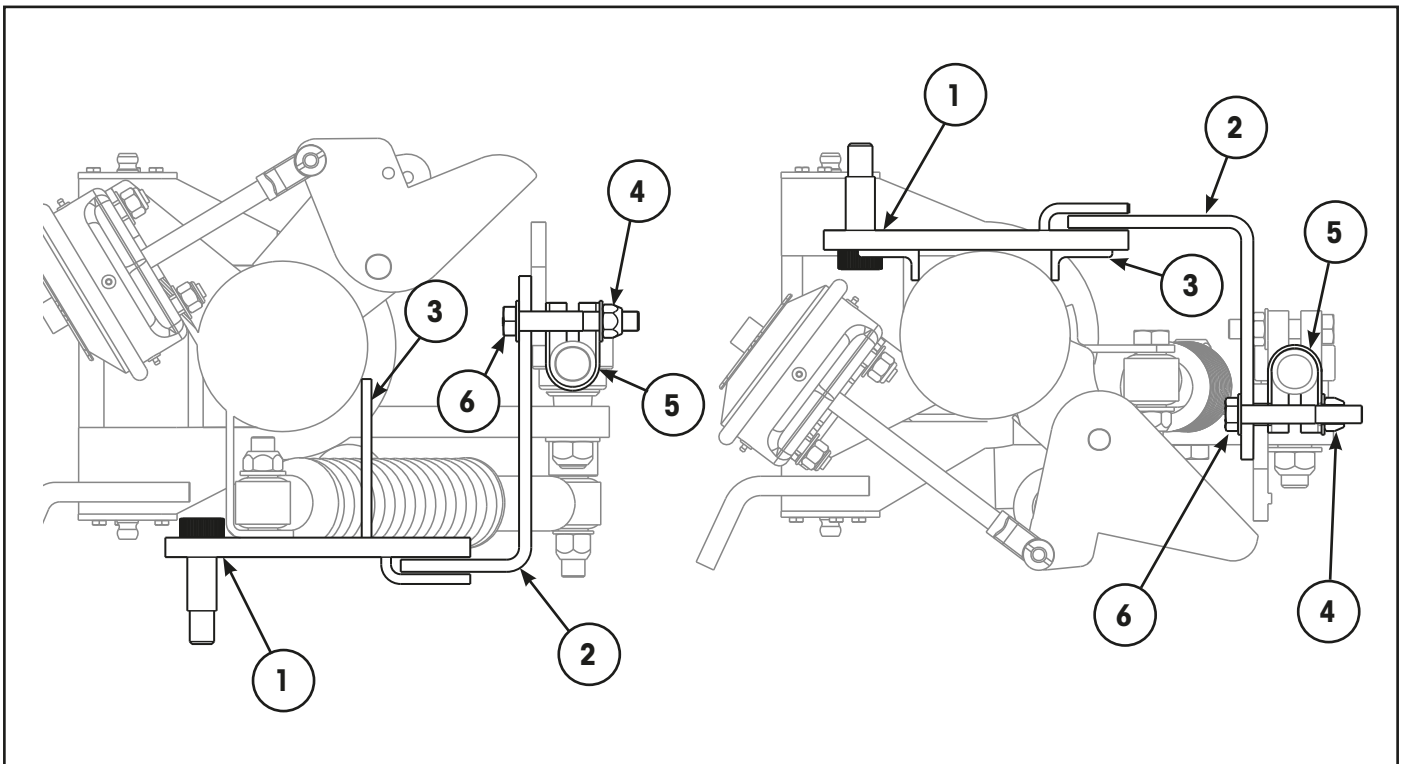
SELF-CENTRING HARDWARE



Item	Part Number	Description	Qty	Notes
1	97064-008	Kit, Self-Centring – Steerable Axle	1	Includes Items 2 to 7.
2	98870-051	Bracket, Self-Centring - RH	1	
	98870-052	Bracket, Self-Centring - LH	1	
3	97022-002	Washer, Hardened – M20	2	
4	97024-001	Nut, Lock – M20 x 2.5	2	
5	S-14318	Air Spring – Self Centring	1	
6	98934-031	Air Fitting, 90 Degree – 3/8" 1/4 NPT	1	
7	SA-1100-6	Bolt, Hex Head – 3/8"-16 x 1 Inch	4	
	SA-1600-1	Washer, Lock – 3/8 Inch	4	

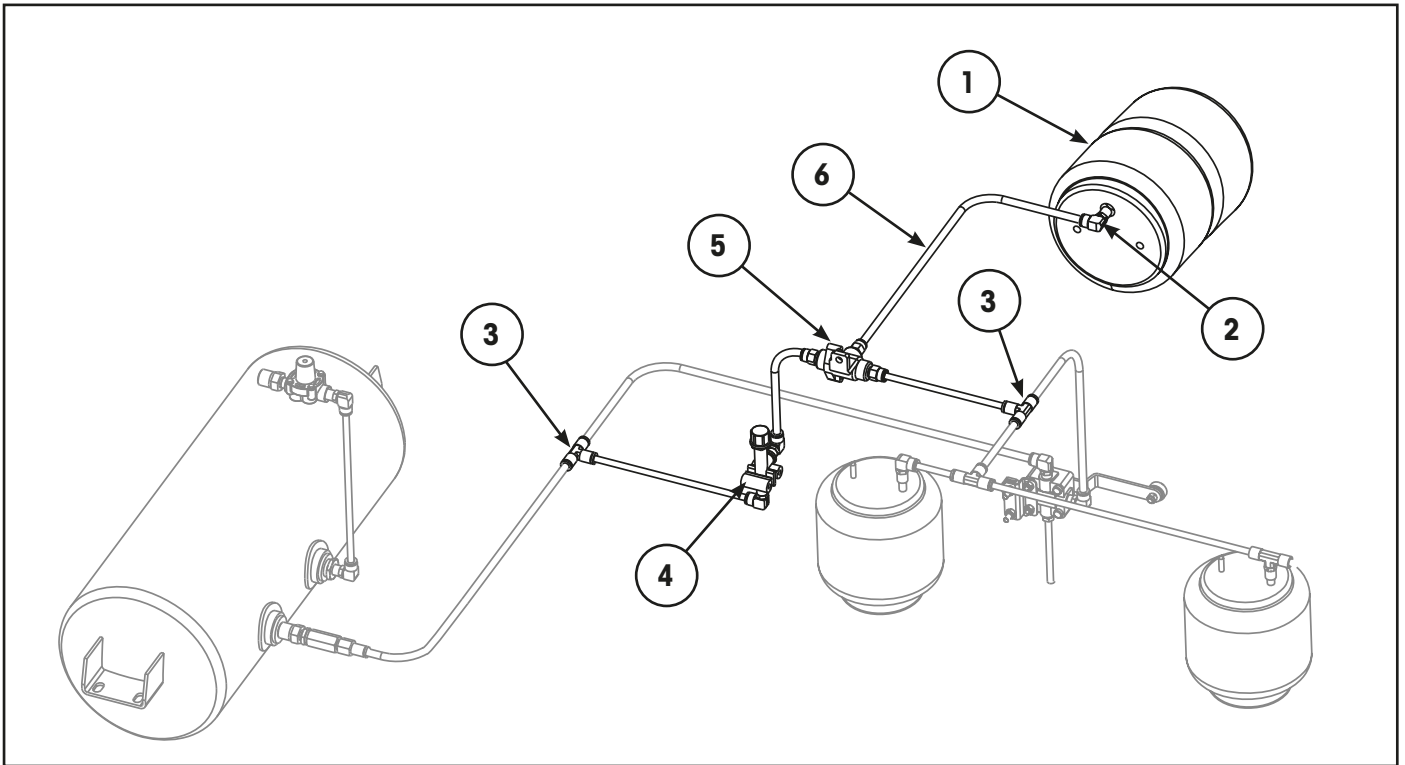


SELF-CENTRING MOUNTS



Item	Part Number	Description	Qty	Notes
1	98870-049	Mount Bracket, Self-Centring	1	15 Inch Brake.
	98870-093	Mount Bracket, Self-Centring	1	16.5 Inch Brake.
2	NLA	Alignment Plate, Guide - Self Centring	1	15 Inch Brake.
	98870-095	Alignment Plate, Guide - Self Centring	1	16.5 Inch Brake.
3	NLA	Bracket, Mount Bracket to Axle - Plate	1	15 Inch Brake.
	98870-094	Bracket, Mount Bracket to Axle – Right Angle	2	16.5 Inch Brake.
4	47764-000	Nut, Tie Rod Clamp – 5/8” UNC Grade 5	2	
5	98870-172	Clamp, Tie Rod End – 1.5 Inch ID	3	Suits 1.5 Inch Rod.
6	32043-008	Bolt, Tie Rod Clamp – 5/8” UNC x 4” Grade 5	3	
7	22962-004	Washer, Tie Rod Clamp – 5/8” Flat	3	Not Illustrated.

SELF-CENTRING PNEUMATIC SYSTEM



Item	Part Number	Description	Qty	Notes
1	S-14318	Air Spring – Self Centring	1	
2	98934-032	Air Fitting, Tee Swivel – 1/4" NPT x 3/8" OD Male	1	Twin Steer.
	98934-031	Air Fitting, 90 Degree – 1/4" NPT x 3/8" Inch	1	Included in item 7.
3	98934-015	Air Fitting, Tee – 3/8" OD	2	Included in item 7.
4	98732-004	Valve, Pressure Regulator	1	[1] Requires setting before installation. Included in item 7.
5	98732-030	Valve, Double Check	1	Included in item 7.
6	97009-004	Tube, Nylon – 3/8" OD x 4 Metre	1	Included in item 7.
7	98606-081	Pneumatic Kit – Self Centring	1	[1] Pneumatic kit, includes items 2 to 6. Not Illustrated

NOTE: For illustration purposes, the single steer axle system is shown above.

[1] NOTE: The pressure regulating valve is not set from factory and requires setting to 15 psi at installation.



REVISIONS TABLE

DATE	REV	PAGE	DESCRIPTION
Jul-2021	E	4, 12, 14	Remove items NLA.
Jul-2021	E	1, 3	Update identification.
Apr-2023	F	5	Amend S-Cam hardware kits.
Apr-2023	F	10	Remove unused tie rods.

*Actual product performance may vary depending upon vehicle configuration, operation, service and other factors.
 All applications must comply with applicable Hendrickson specifications and must be approved by the respective vehicle manufacturer with the vehicle in its original, as-built configuration.
 Contact Hendrickson for additional details regarding specifications, applications, capacities, and operation, service and maintenance instructions.*

**Need Help? Australia Call +61 3 8792 3600 or Email customerservice@hendrickson.com.au
 New Zealand Call +64 9 570 4721 or Email nz-customerservice@hendrickson.co.nz**



HENDRICKSON ASIA PACIFIC PTY LTD
 ABN 21 004 992 769
 32- 44 Letcon Drive, P.O. Box 1063
 Dandenong, Victoria, 3175
 61.3.8792.3600 • Fax 61.3.8792.3699

HENDRICKSON ZEALAND
 Unit P, 24 Allright Place
 Mt Wellington, Auckland, 1060
 64.9.570.4721 • Fax 64.9.570.4816

www.hendrickson.com.au