

# **H PARTS LIST**

## **STEERTEK™ NXT High Capacity Steer Axle System for Rosenbauer Vehicles**

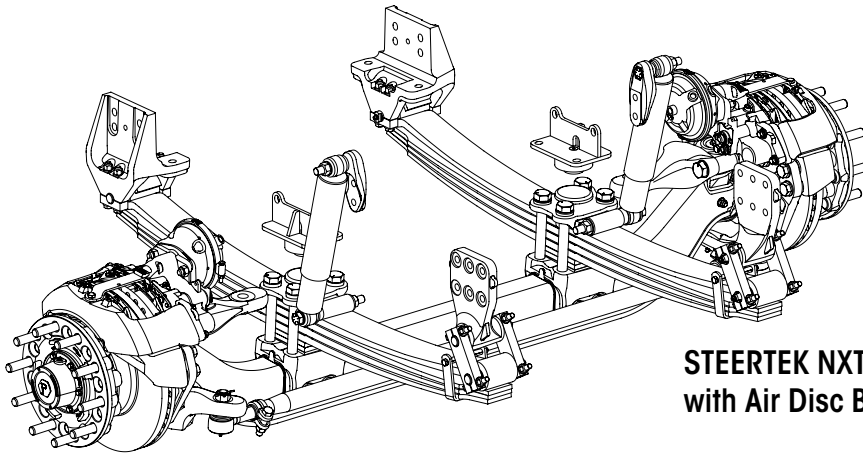
LIT NO: SP-311

DATE: August 2023

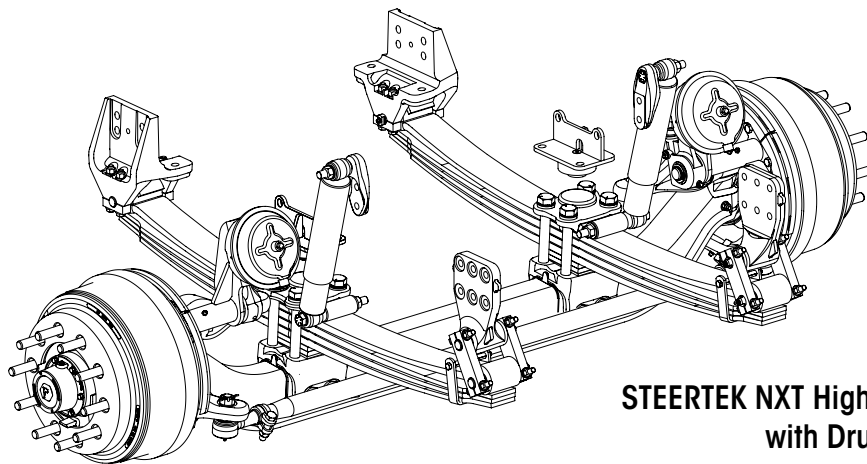
REVISION: E

### **CONTENTS**

<b>DESCRIPTION</b>	<b>PAGE</b>	<b>DESCRIPTION</b>	<b>PAGE</b>
■ Parts List . . . . .	2	■ Air Disc Brake Assembly . . . . .	6
■ Selection Guides . . . . .	4	■ Drum Brake Assembly . . . . .	7
■ Aftermarket Straight Tie Rod Assembly and Tie Rod Arm Fastener Service Kit . . . . .	5		



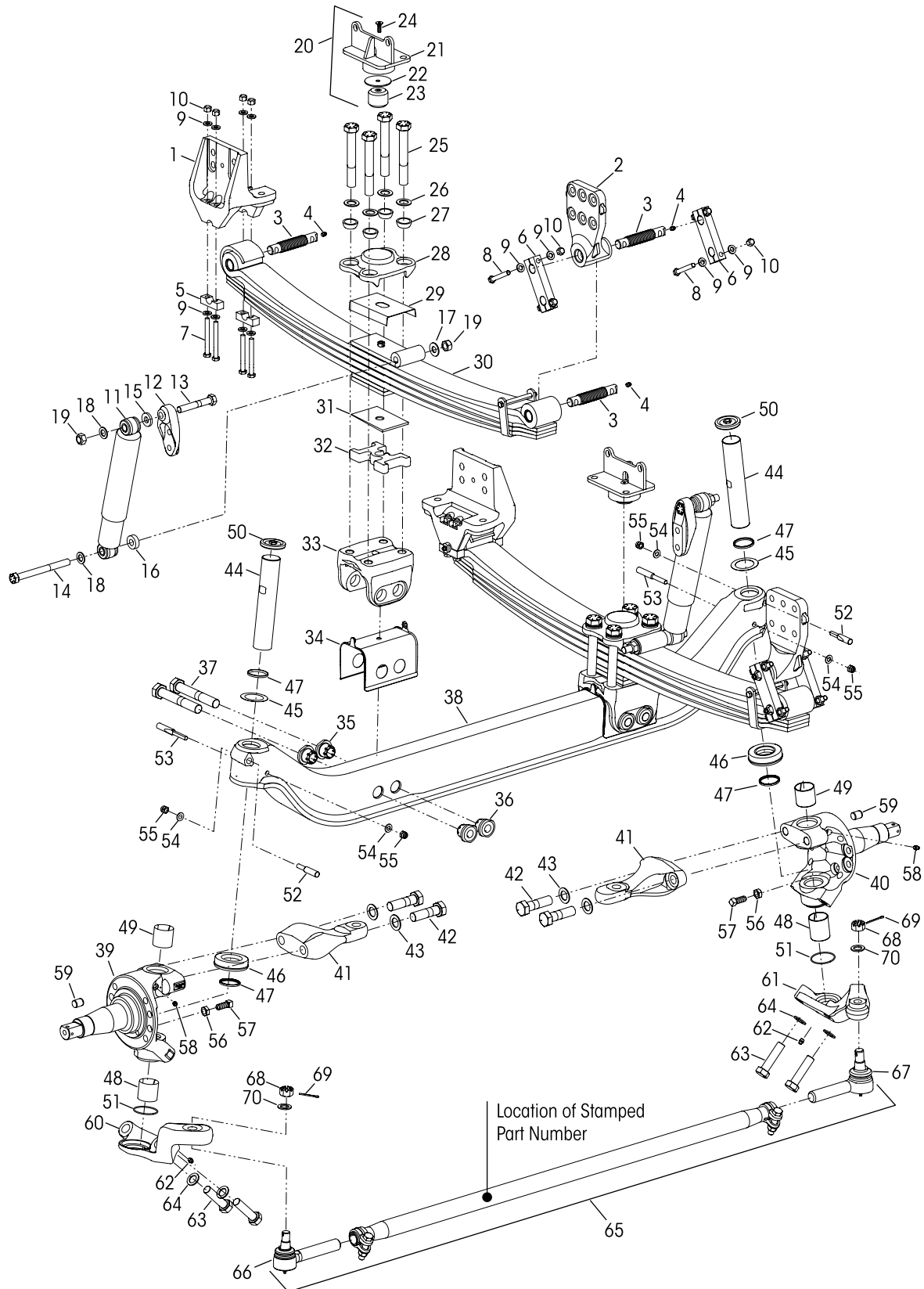
**STEERTEK NXT High Capacity  
with Air Disc Brakes**



**STEERTEK NXT High Capacity  
with Drum Brakes**



Suspension • Clamp Group • Axle Assembly





# STEERTEK™ NXT High Capacity Steer Axle System for Rosenbauer Vehicles

			VEHICLE				VEHICLE
KEY NO.	PART NO.	DESCRIPTION	QTY.	KEY NO.	PART NO.	DESCRIPTION	QTY.
1	79894-001	Frame Hanger Assembly Front	2	80140-XXX		STEERTEK NXT High Capacity Axle Assembly Fire and Rescue, Includes Key Nos. 38-40, 44-70, <i>See Table 2 on Page 4</i>	
2	80159-001	Rear with Bushing	2	38	77284-008	Axle	1
	34013-247	<b>Front Frame Hanger Fastener Service Kit, One Side</b> , Includes Key Nos. 5,7, 9-10			77243-XXX	Knuckle Assembly, Includes Key Nos. 47, 50, 56-59, <i>See Table 2 on Page 4</i>	
	34013-248	<b>Rear Frame Hanger Fastener Service Kit, One Side</b> , Includes Key Nos. 3-4, 6, 8-10		39		Left Hand	1
	34013-249	<b>Single Threaded Pin and Grease Zerk Service Kit</b> , Includes Key Nos. 3-4		40		Right Hand	1
3		*Threaded Pin	6	41		Steering Arm	
4		*Grease Zerk	6		77337-003	18K Single Steer	1
5	79843-000	Front Hanger Bottom Cap	4			20K Twin Steer	2
6	79888-001	Rear Shackle	4			24K Twin Steer, 425 mm and below Tires	2
7	80362-001	½"-20 UNC x 4½" Hex Bolt	8		77337-004	24K Twin Steer, 445 mm Tires	2
8	80362-002	½"-20 UNC x 3¼" Shackle Hex Bolt	8	42	30550-027	1"-14 UNF x 3½" Hex Bolt	Varies
9	22962-014	½" Flat Washer	32	43	22962-051	1" Flat Washer	Varies
10	17700-034	½"-20 UNF-2B Locknut <i>Replaces 30978-000</i>	16		34013-230	<b>Kingpin Service Kit, One Side</b> Includes Key Nos. 44, 45a, 46-55, 63-64	
	34013-250	<b>Single Shock Absorber Service Kit</b> Includes Key Nos. 11, 14-19		44	75923-001	Kingpin	2
11	80606-001	Shock Absorber	2	45		Kingpin Shim (As needed for service)	2
12	78250-002	Shock Bracket	2	a	77241-002	0.01" Thickness	
13	50764-019	¾"-10 UNC x 4½" Upper Shock Hex Bolt	2	b	77241-003	0.02"	
14	50764-020	¾"-10 UNC x 8" Lower Shock Hex Bolt	2	46	75918-001	Thrust Bearing	2
		Shock Spacer		47	75966-001	Kingpin Seal	4
15	59946-013	Upper	2			Kingpin Bushing	
16	59946-006	Lower Outboard	2	48	75919-001	Lower, 2½" Length	2
17	59946-005	Lower Inboard	2	49	75919-002	Upper, 2" Length	2
18	22962-001	¾" Flat Washer	4	50	77209-001	Grease Cap	2
19	49842-000	¾"-10 UNC Locknut	4	51	68303-004	O-Ring	2
20		Jounce Stop Assembly, Includes Key Nos. 21-24				Kingpin Draw Key	
	79854-000	Left	1	52	75925-001	Upper, 3¾" Length	2
	79855-000	Right	1	53	75925-002	Lower, 4¾" Length	2
21	80168-000	Jounce Stop	2	54	22962-054	7/16" Flat Washer	4
22	80175-000	Spacer	2	55	17700-008	7/16"-14 UNC-2B Nut	4
	34013-505	<b>Jounce Stop Service Kit, One Side</b> , Includes Key Nos. 23-24		56	17491-023	5/8"-11 UNC-2B Jam Nut	2
23	80176-000	Rubber Bump Stop	2	57	93334-001	5/8"-11 UNC x 1 ½" Set Screw, <i>Replaces 80183-000</i>	2
24	80177-000	M10 x 1.5 x 30 mm Flat Socket Cap Screw	2	58	33117-000	Grease Zerk	2
	80141-XXX	Leaf Spring & Clamp Group Assembly, Includes Key Nos. 25-37, <i>See Table 1 on Page 4</i>	2	59	64246-000	ABS Sensor Sleeve	2
	34013-XXX	<b>Clamp Group Service Kit, One Side</b> , Includes Key Nos. 25-27, 29, <i>See Table 1 on Page 4</i>			60961-893	<b>**Aftermarket Tie Rod Arm and Tie Rod Assembly Fastener Service Kit</b> , Includes Key Nos. 47, 59-60, 65	
25	64107-XXX	1"-8 UNC Hex Bolt, <i>See Table 1 on Page 4</i>	8		77244-XXX	<b>***Tie Rod Arm Assembly</b> , Includes Key No. 62 <i>See Table 2 on Page 4</i>	
26	22962-051	1" Flat Washer, <i>See Table 1 on Page 4</i>	8	60		Left Hand	1
27	78356-002	1" Spherical Washer	8	61		Right Hand	1
28	78888-000	Top Pad	2	62	33117-000	Grease Zerk	2
29	79273-001	Spring Liner	2	63	30418-014	7/8"-14 UNF x 3½" Hex Bolt	4
30		Leaf Spring Assembly, <i>See Table 1 on Page 4</i>		64	22962-002	7/8" Flat Washer	4
31	80143-001	Caster Wedge - 2°	2	65	80721-XXX	<b>**Tie Rod Assembly</b> , <i>Replaces 76879-XXX</i> , Includes Key Nos. 66-68, <i>See Table 2 on Page 4</i>	1
32		Spring Spacer (if equipped) <i>See Table 1 on Page 4</i>	2			<b>**Tie Rod End Service Kits</b> ,	
33	77232-000	Axle Seat	2		60961-890	Axle Set, Includes Kit Nos. 60961-888 and -889	
	34013-229	<b>Axle Clamp Collar Service Kit, One Side</b> Includes Key Nos. 34-37			60961-889	Left Hand, Includes Key Nos. 66, 68-70	
34	78887-001	Axle Seat Liner	2		60961-888	Right Hand, Includes Key Nos. 67-70	
		*Axle Collar				<b>**Tie Rod End</b> , Includes Key No. 68	
35		Non Threaded	4	66	80745-001	Left Hand	1
36		Threaded	4	67	80745-002	Right Hand	1
37		*1"-8 UNC x 6½" Hex Thru Bolt	4	68		*7/8"-14 UNF-2A Castle Nut	2
				69	17800-004	Cotter Pin	2
				70	22962-002	7/8" Flat Washer	2



■ Selection Guides

TABLE 1 Leaf Spring Assembly and Components

Capacity	Ride Height	Leaf Spring & Clamp Group Assembly	Clamp Group Service Kit	Leaf Spring Assembly Key No. 30	1" Hex Bolt Key No. 25		1" Flat Washer (Use only as specified) Key No. 26	Spring Spacer Key No. 32	
					Length	Part Number	Part Number	Thickness	Part Number
18K	8"	80141-101	34013-278	82378-050	7"	64107-002	---	---	---
	9.82"	80141-102	34013-256		9"	64107-003	22962-051	1"	79814-000
20K	8"	80141-201	34013-278	82379-050	7"	64107-002	---	---	---
	9.5"	80141-202	34013-279		8.5"	64107-006		1"	79814-000
24K	8"	80141-001	34013-254	82380-050	7.5"	64107-000	22962-051	---	---
	9"	80141-002	34013-255		8.5"	64107-006		1"	79814-000



**WARNING**

USE 1" FLAT WASHERS (PART NO. 22962-051) ONLY AS SPECIFIED IN TABLE 1 (LEAF SPRING AND CLAMP GROUP ASSEMBLY). TABLE 1 LISTS DIFFERENT CONFIGURATIONS FOR THIS ASSEMBLY. IN CERTAIN CONFIGURATIONS, THE CLAMP GROUP REQUIRES THE USE OF 1" FLAT WASHERS (PART NO. 22962-051) WITH THE SPECIFIED 1" HEX BOLT LENGTH, BUT NOT IN OTHER CONFIGURATIONS. IMPROPER CLAMP FORCE IN THE LEAF SPRING AND CLAMP GROUP ASSEMBLY, IMPROPER SEATING, AND COMPONENT DAMAGE CAN CAUSE LOSS OF VEHICLE CONTROL, ADVERSE VEHICLE HANDLING, PROPERTY DAMAGE, AND PERSONAL INJURY.

TABLE 2 Axle Assembly • Knuckle Assembly • Tie Rod Arm • Tie Rod Assembly

Wheel Base	Capacity	Axle Assembly	Knuckle Assembly		***Tie Rod Arm		**20K Tie Rod Assembly
			Left Hand Key No. 39	Right Hand Key No. 40	Left Hand Key No. 60	Right Hand Key No. 61	Key No. 65
180-210	18K Single Steer, Left Hand Drive	80140-002	77243-001	77243-102	77244-033	77244-034	80721-002
	18K Single Steer, Right Hand Drive	80140-003	77243-101	77243-001			
211-240	20K Twin Steer	80140-004	77243-001		77243-002	77244-035	77244-036
	24K with 425 mm Tires	80140-005		77244-037		77244-038	
240-260	24K with 445 mm Tires	80140-006	77243-001	77243-002	77244-039	77244-040	80721-003
	24K with 445 mm Tires	80140-007					



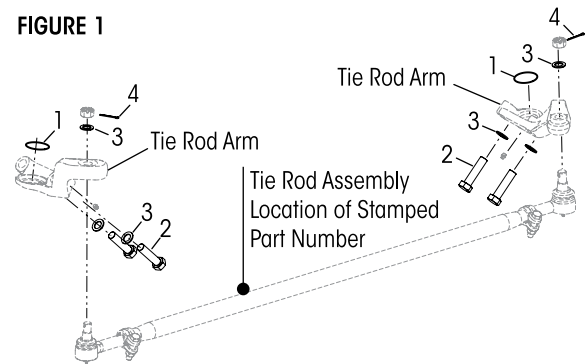
**Aftermarket Tie Rod Arm and Tie Rod Assembly Fastener Service Kit**

\*Needed to Complete Conversion to 80721-XXX Tie Rod Assembly and Revised Tie Rod Arm

KEY NO.	PART NO.	DESCRIPTION	KIT QTY.
	60961-893	<b>*Aftermarket Tie Rod Arm and Tie Rod Assembly Fastener Service Kit,</b> Includes Key Nos. 1-4	
1	68303-004	O-Ring	2
2	30418-014	7/8"-14 UNF x 3 1/2" Hex Bolt	4
3	22962-002	7/8" Flat Washer	6
4	17800-004	Cotter Pin	2

**NOTE** \* Locate the tie rod assembly number on the tie rod tube as shown in Figure 1 to verify if equipped with Part No. 76879-XXX. If so, then a new tie rod assembly (Part No. 80721-XXX) and both left and right updated tie rod arms require replacement. See Table 2 to order applicable tie rod arms, tie rod assembly, and this Fastener Service Kit to complete the conversion.

FIGURE 1



**NOTES:** \* Item included in kit/assembly only, part not sold separately.

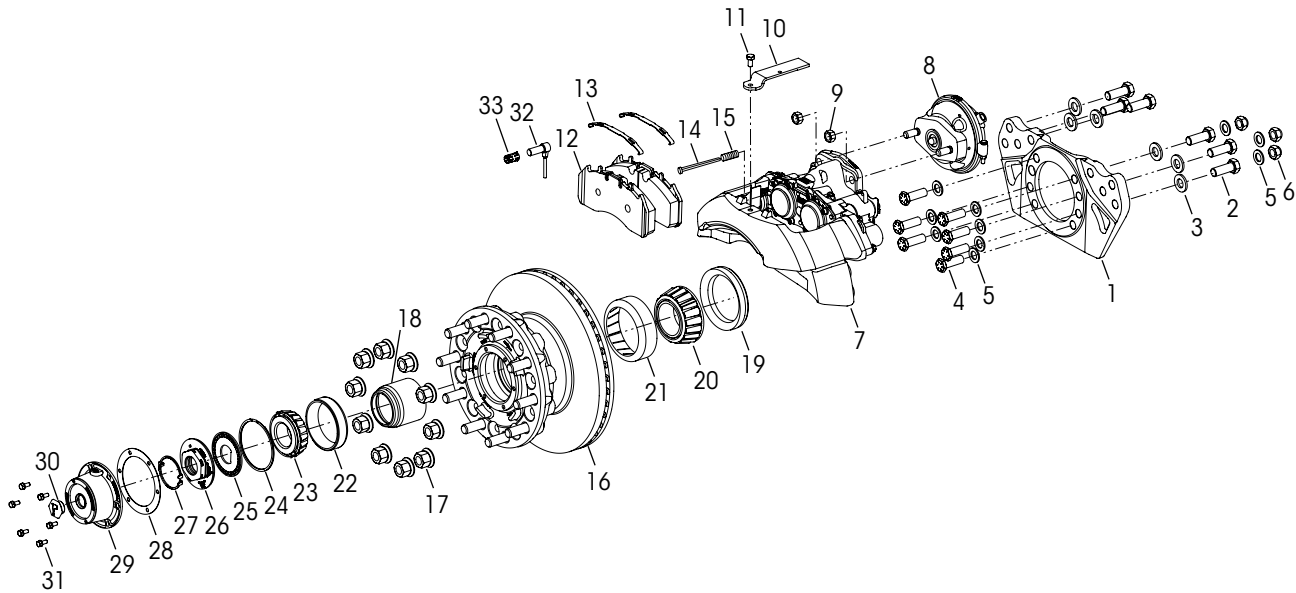
\*\* The new robust Straight Tie Rod Assembly 80721-XXX replaces 76879-XXX (Key No. 65). If equipped 76879-XXX a conversion is necessary to perform component replacement. To verify which tie rod assembly is equipped on the vehicle, locate the part number on the tie rod tube. For conversion information see Aftermarket Conversion Kit on Page 5 and Figure 1.

\*\*\* If one tie rod arm requires replacement, both tie rod arms must be replaced with the modified tie rod arms. The new tie rod arms configures to the new tie rod assembly 80721-XXX and will no longer accept the previous 76879-XXX tie rod assembly.

Refer any questions to Hendrickson Truck Parts at [truckparts@hendrickson-intl.com](mailto:truckparts@hendrickson-intl.com) or Tech Services at [techservices@hendrickson-intl.com](mailto:techservices@hendrickson-intl.com).



**Air Disc Brake Assembly**

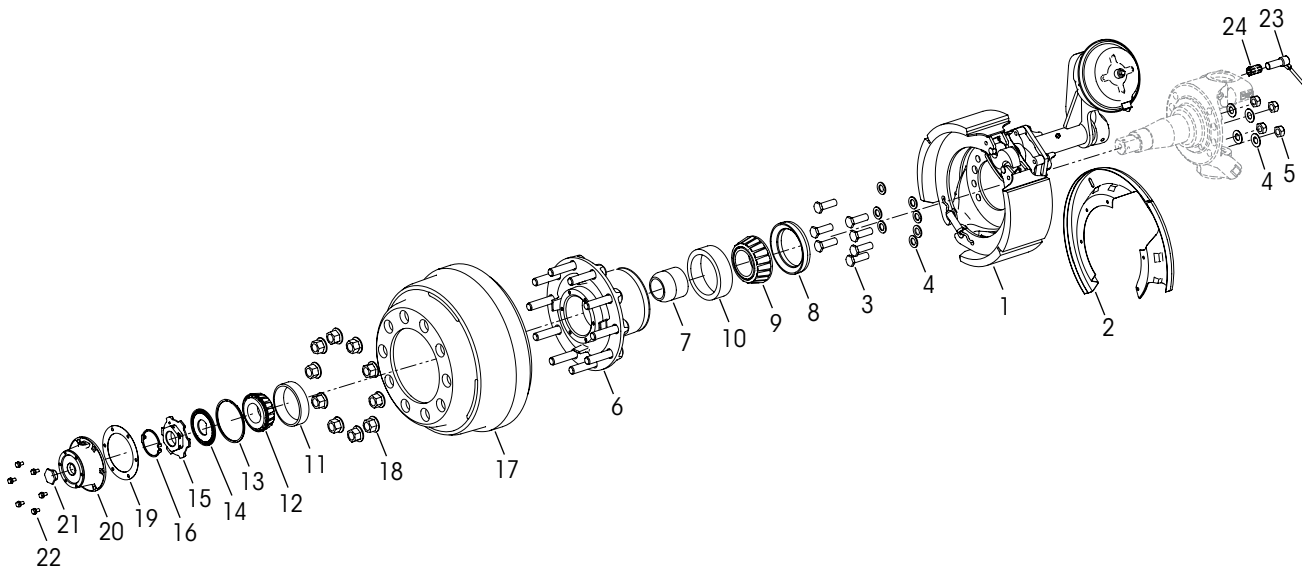


KEY NO.	PART NO.	DESCRIPTION	VEHICLE QTY.
1		*Meritor Torque Plate Assembly Left Hand, Part No. 3215-F-1878 Right Hand, Part No. 3215-E-1877	1 1
2	69781-002	M20 x 55 mm Hex Head Bolt	12
3	58246-018	M20 Flat Washer, <i>Replaces 58246-039</i> ,	12
4	80345-004	3/4"-16 UNC x 2 1/4" Low Profile Hex Head Bolt <i>Replaces 80345-001</i>	14
5	22962-001	3/4" Flat Washer	20
6	80691-001	3/4"-16 UNC Hex Nut	6
7		*Meritor Air Disc Brake Caliper Assembly, Includes Key Nos. 10-13 Left Hand, Part No. EX225H202XX000S Right Hand, Part No. EX225H201XX000S	1 1
8		*WABCO Air Brake Chamber MGMT24L, Includes K80131-001 Key No. 9 Left Hand, Part No. 423 506 1340 Right Hand, Part No. 423 506 1350	1 1
9		*Hex Nut  *Meritor Disc Pad Retainer Kit No. 22510, Includes Key Nos. 10-11	4
10		*Pad Retainer	
11		*Pad Retainer Bolt  *Meritor Air Disc Brake Pad Kit No. 2252H2CG, Includes Key Nos 12-13	
12		*Air Disc Brake Pad	
13		*Air Disc Brake Pad Spring  *Meritor Wear Indicator Kit No. 225255, Includes Key Nos. 14-15	
14		*Wear Indicator	
15		*Wear Indicator Spring	

KEY NO.	PART NO.	DESCRIPTION	VEHICLE QTY.
16		*Conmet Hub and Rotor Assembly No. 10083224, Includes Bearings and Seals  *Conmet Brake Rotor Replacement Kit No. 10082181, One Wheel End, Includes Rotor and 10 of Cap Screws and Washers	2
17		**M22 x 1.5 Two-piece Wheel Nut  *Conmet Hub Bearing Rebuild Kit No. 10081728, One Wheel End, Includes Key Nos. 18-23  *Conmet Wheel Seal Kit No. 10081519, One Wheel End, Includes Key Nos. 18-19	20
18		*Bearing Spacer Part No. 10034342	
19		*Wheel Seal Part No. 10045883	
20		*Inner Bearing Cone Part No. 10041922	
21		*Inner Bearing Cup Part No. 10041921	
22		*Outer Bearing Cup Part No. 10041923	
23		*Outer Bearing Cone Part No. 10041924  *Conmet Preset Plus FL Nut Assembly Kit No. 10036550, Includes Key Nos. 24-27	
24		*Snap Ring - Double Wind Part No. 10033288	
25		*Spindle Nut Lock Washer 10031171	
26		*Outer Spindle Nut Part No. 10031170	
27		*Snap Ring Retainer Part No. 10031172	
28		*Drivparts Hub Cap Gasket No. G-3009	2
29		*Drivparts Hub Cap No. 343-009, Includes Key No. 30	2
30		*Rubber Plug	
31	64545-002	5/16"-18 UNC x 3/4" Hex Bolt with Retained Washer	12
32		*WABCO ABS Sensor No. 441-032-900-0	2
33	64550-000	ABS Sensor Clip	2



## Drum Brake Assembly



KEY NO.	PART NO.	DESCRIPTION	VEHICLE QTY.	KEY NO.	PART NO.	DESCRIPTION	VEHICLE QTY.
1		*Meritor Drum Brake Foundation Kit, Includes Key No. 2 Left Hand, Part No. QP4-1656-2725 Right Hand, Part No. QP4-1656-2726	1 1	10		*Inner Bearing Cup Part No. 10041921	
2		*Dust Shield	2	11		*Outer Bearing Cup Part No. 10041923	
3	80345-004	3/4"-16 x 2 1/4" Low Profile Hex Head Bolt	14	12		*Outer Bearing Cone Part No. 10041924	
4	22962-001	3/4" Flat Washer	20			*Conmet Preset Plus FL Nut Assembly Kit No. 10036550, Includes Key Nos. 13-16	
5	80691-001	3/4"-16 UNC - 2B Nut	6	13		*Snap Ring - Double Wind Part No. 10033288	
		*Conmet Preset Plus FL Hub Assembly Part No. 10081313, Includes Key Nos. 6-16	2	14		*Spindle Nut Lockwasher 10031171	
6		*Hub Part No. 10033316		15		*Outer Spindle Nut Part No. 10031170	
		*Conmet Hub Bearing Rebuild Kit No. 10081728, One Wheel End, Includes Key Nos. 7-12		16		*Snap Ring Retainer Part No. 10031172	
		*Conmet Wheel Seal Kit No. 10081519, One Wheel End, Includes Key Nos. 7-8		17		*Conmet Drum 16.5 x 6 No. 10033071	
7		*Bearing Spacer Part No. 10034342		18		**M22 x 1.5 Two-piece Wheel Nut	20
8		*Wheel Seal Part No. 10045883		19		*Drivparts Hub Cap Gasket No. G-3009	2
9		*Inner Bearing Cone Part No. 10041922		20		*Drivparts Hub Cap No. 343-009, Includes Key No. 21	2
				21		*Rubber Plug	2
				22	64545-002	5/16"-18 UNC x 3/4" Hex Bolt with Retained Washer	12
				23		*WABCO ABS Sensor No. 441-032-900-0	2
				24	64550-000	ABS Sensor Clip	2

**NOTES:** \* Not supplied by Hendrickson for aftermarket service purposes. Description and part number listed for reference only. For more information and assistance with service, maintenance and rebuild instructions on these components see below component manufacturers:

- CONMET technical and parts support 800.547.9473 or online [aftermarket.conmetwheelends.com/hub-selection](http://aftermarket.conmetwheelends.com/hub-selection)
- DRIVPARTS technical and parts support 800.334.3210 or online [www.drivparts.com](http://www.drivparts.com)
- MERITOR technical and parts support 888.725.9355, or online for parts: [www.meritorpartsexpress.com](http://www.meritorpartsexpress.com) and for technical support: [www.meritorbullpen.co](http://www.meritorbullpen.co)
- WABCO technical and parts support 855.228.3203 or online [www.wabco-customercentre.com](http://www.wabco-customercentre.com)

\*\* Not supplied by Hendrickson, used for reference only. Contact the vehicle manufacturer for more information.

This is a general parts list to provide directional information. Components may vary by model. Questions in regards to parts, contact Hendrickson Truck Parts at 1.866.755.5968 (Toll-free U.S. and Canada), 630.910.2800 (Outside U.S. and Canada) or email: [truckparts@hendrickson-intl.com](mailto:truckparts@hendrickson-intl.com).  
Actual product performance may vary depending upon vehicle configuration, operation, service and other factors.  
All applications must comply with applicable Hendrickson specifications and must be approved by the respective vehicle manufacturer with the vehicle in its original, as-built configuration.  
Contact Hendrickson for additional details regarding specifications, applications, capacities, and operation, service and maintenance instructions.

**Call Hendrickson at 1.866.755.5968 (toll-free) or 1.630.910.2800 for additional information.**



[www.hendrickson-intl.com](http://www.hendrickson-intl.com)

**TRUCK COMMERCIAL VEHICLE SYSTEMS**  
800 South Frontage Road  
Woodridge, IL 60517-4904 USA  
1.866.755.5968 (Toll-free U.S. and Canada)  
1.630.910.2800 (Outside U.S. and Canada)  
Fax 1.630.910.2899

SP-311 Rev E 08-23

© 2018 – 2023 Hendrickson USA, L.L.C. All Rights Reserved. All trademarks shown are owned by Hendrickson USA, L.L.C., or one of the affiliates, in one or more countries.  
Information contained in this literature was accurate at the time of publication. Product changes may have been made after the copyright date that are not reflected.

Printed in United States of America