

H PARTS LIST

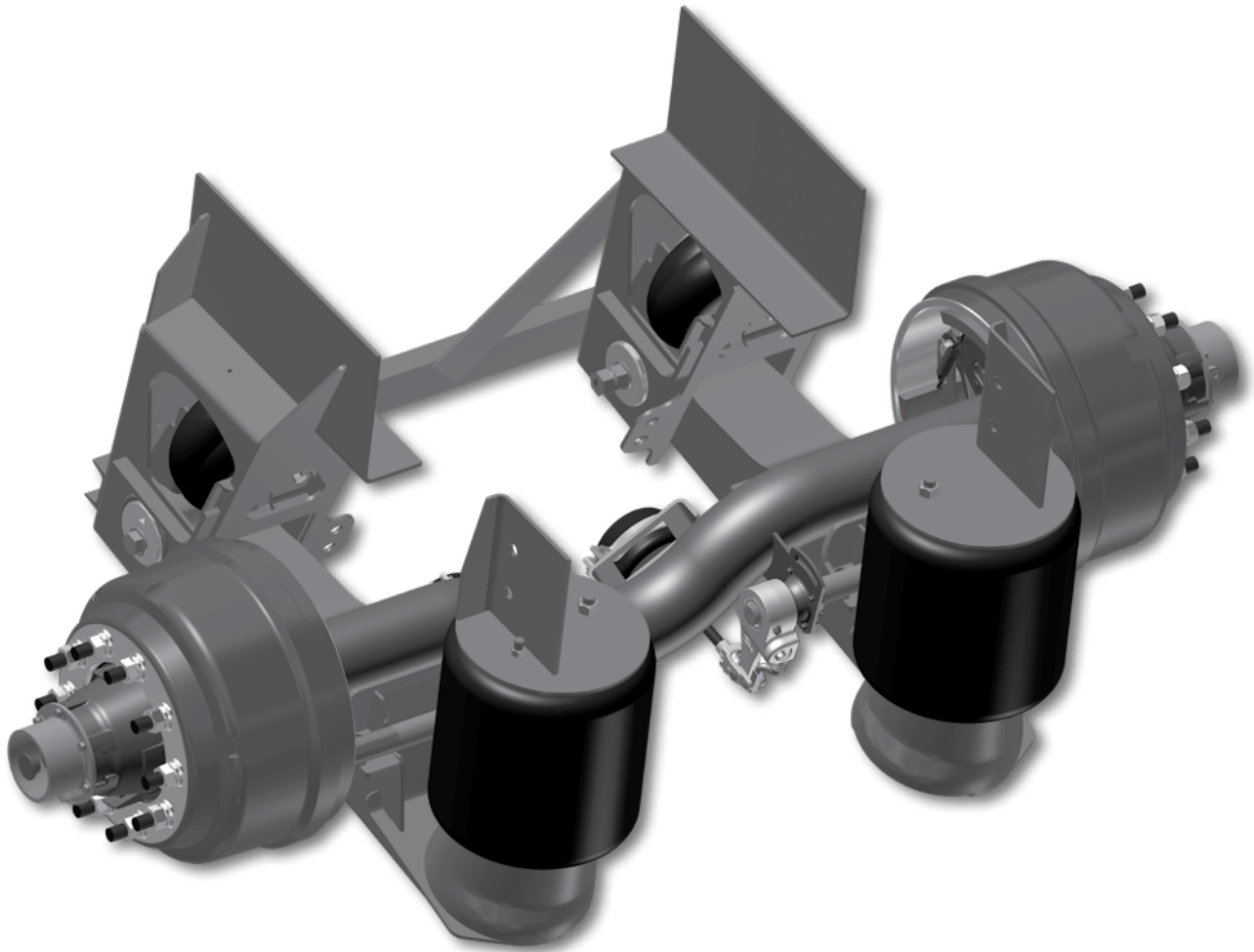
TOUGHLIFT® FM Truck Mount
(Formerly known as HLM-2)

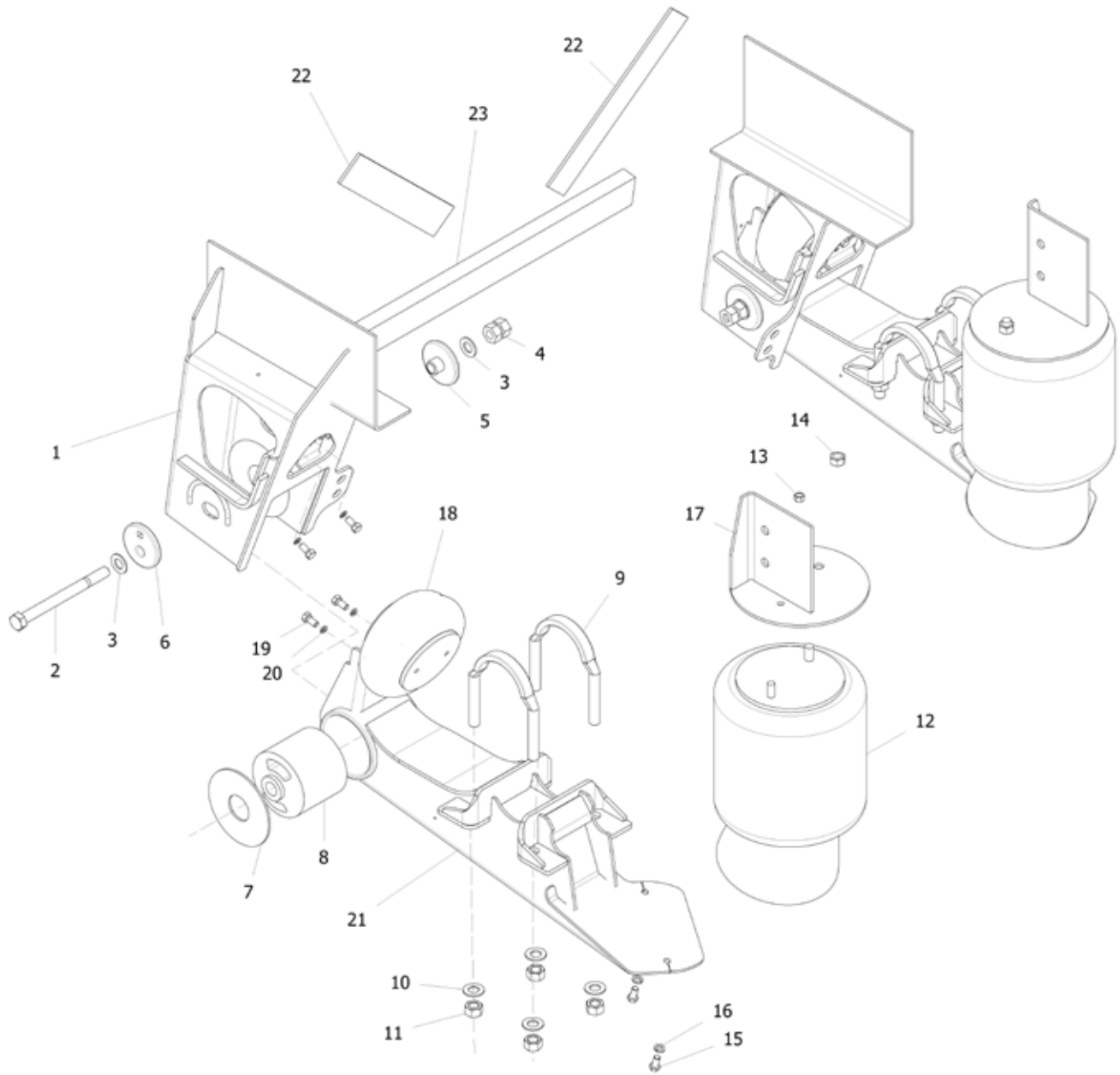
LIT NO: H683

DATE: June 2023

REVISION: D

Parts List H683 is intended for After-Market TOUGHLIFT® FM Truck Mount suspensions only; if you have an OEM TOUGHLIFT® FM Truck Mount suspension, please contact Hendrickson Technical Support: 800.660.2829 — liftaxletech@hendrickson-intl.com







| ITEM | PART NO. | DESCRIPTION | NO.REQ. | ITEM | PART NO. | DESCRIPTION | NO.REQ. |
|------|---------------|---|---------|------|---------------|--|---------|
| 1 | R-007349-1/-2 | Ride Height A: Frame Hanger Assembly | 1 EA | 12 | R-B-14249 | Ride Spring | 2 |
| | R-008086-1/-2 | Ride Height B: Frame Hanger Assembly | 1 EA | | R-A-1981 | Ride Air Spring Fastener Kit, | 1 |
| | R-008087-1/-2 | Ride Height C: Frame Hanger Assembly | 1 EA | | | Includes Item Nos. 13-16: | |
| | R-010187-1/-2 | Ride Height E: Frame Hanger Assembly | 1 EA | 13 | | **1/2"-13 Hex Nut Zinc Gr B | 2 |
| | R-004588 | Pivot Bolt, Wear Pads and Bushing Kit, | 2 | 14 | | **3/4"-16 Hex Nut Zinc Gr B | 2 |
| | | Includes Item Nos. 2-8, 24 | | 15 | | **1/2"-13 X 1.25" Hex Bolt Phos Gr 5 | 4 |
| | R-A-21116 | Pivot Bolt Kit, Includes Item Nos. 2-6: | 2 | 16 | | **1/2" Lock Washer Zinc Reg | 4 |
| 2 | | **7/8"-9 X 10" Heavy Hex Screw | 2 | 17 | R-001951-1/-2 | Ride Height A: Upper Air Spring Assembly | 1 EA |
| 3 | | **7/8" Harden Steel Washer | 4 | | R-003618-1/-2 | Ride Height B: Upper Air Spring Assembly | 1 EA |
| 4 | R-A-15122 | QUIK-ALIGN® Service Nut | 2 | | R-003623-1/-2 | Ride Height C: Upper Air Spring Assembly | 1 EA |
| 5 | | **QUIK-ALIGN Concentric Collar | 2 | | R-010186-1/-2 | Ride Height E: Upper Air Spring Assembly | 1 EA |
| 6 | | **QUIK-ALIGN Eccentric Collar | 2 | 18 | R-B-14318 | Lift Spring | 2 |
| 7 | R-B-11613 | Wear Pad | 4 | | R-A-2849 | Lift Spring Fastener Kit, | 2 |
| 8 | R-C-21824 | TRI-FUNCTIONAL® BUSHING | 2 | | | Includes Item Nos. 19-20 | |
| | R-006362 | U-bolt Kit, RH: A/B/C, U-bolt with Coined Radius | 1 | 19 | | **3/8"-16 X 1.00" Hex Bolt Phos Gr 5 | 4 |
| | | Includes Items 9, 10 & 11 | | 20 | | **3/8" Lock Washer Zinc Reg | 4 |
| | R-005294 | U-bolt Kit, RH: E, U-Bolt, 10" Leg | 1 | 21 | R-001907-1/-2 | Beam Assembly | 1 EA |
| | | Includes Items 9, 10 & 11 | | 22 | R-002519-319 | 0.25 x 3" x 18" Tab Plt | 2 |
| 9 | | **U-bolt as listed above by kit | 4 | 23 | R-002948-19 | 3" x 41" C-Channel | 1 |
| 10 | | **7/8" Narrow Washer Zinc Yellow RC40-45 | 8 | | | **Bushing Lubricant - 2 oz. (not shown) | 1 |
| 11 | | **7/8"-14 Hex Nut Zinc Gr C | 8 | | | | |

NOTES * Quantities specified are shown per suspension. Quantities of service kit components may vary from amount shown in list, refer to the following service kit pages to confirm item quantities.

** Item included in assembly / kit only, part not sold separately.

*** Some components are determined by model specification, such as axles, brakes, and brake chambers. If the component is not listed, contact Hendrickson Auxiliary Axle Systems with the lift axle model/serial number.

"RH" above indicates "Ride Height"

