

PARTS LIST

HTB® 21K Rear Suspension for Spartan Motorhome Chassis

LIT NO: SP-186

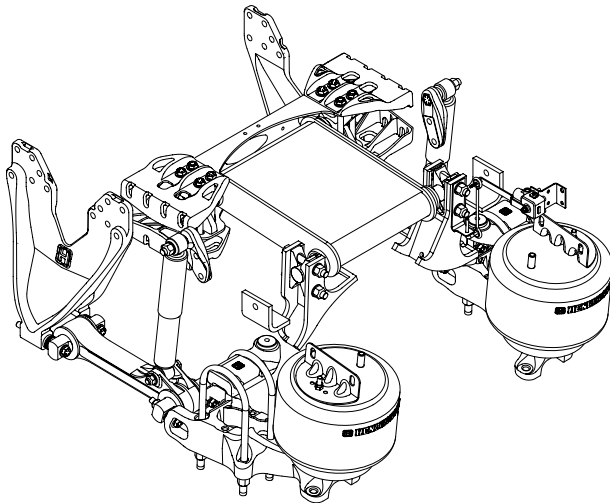
DATE: January 2017

REVISION: D

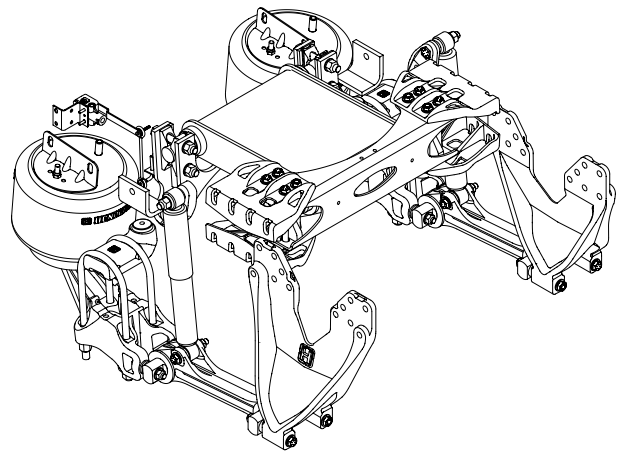
CONTENTS

DESCRIPTION	PAGE	DESCRIPTION	PAGE
Parts Lists		■ HTB 21K Drive Tag	6
■ HTB 21K Mid Engine	2	■ Auxiliary Axle Drive Tag	8
■ HTB 21K Rear Engine	4	Special Tools	10

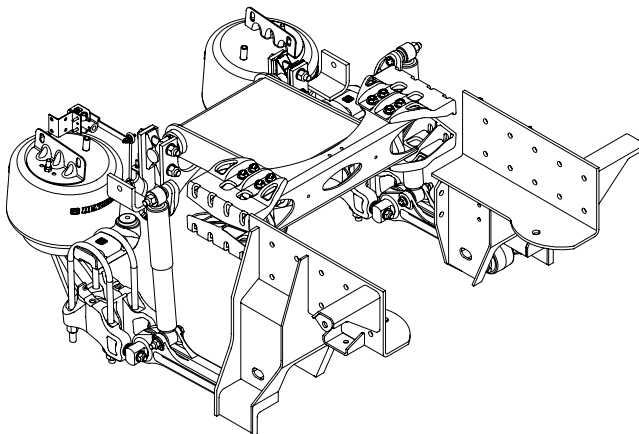
HTB 21K Mid Engine



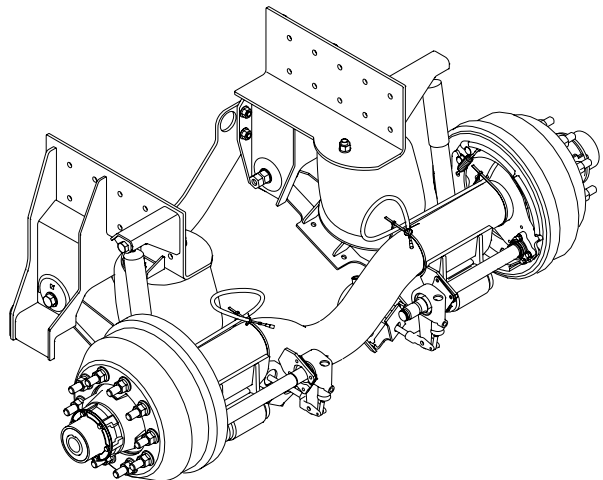
HTB 21K Rear Engine



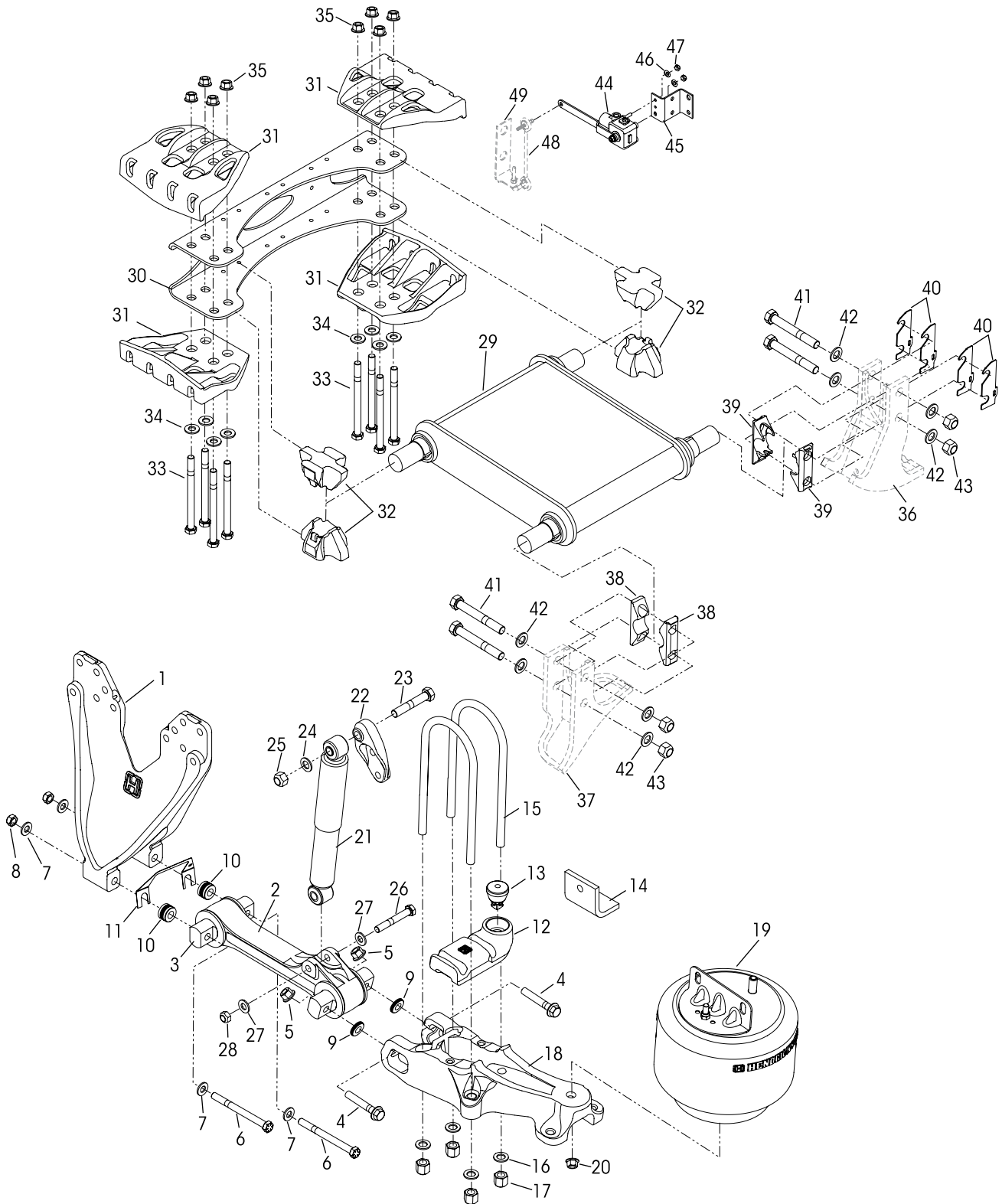
HTB 21K Drive Tag



Auxiliary Axle Drive Tag



Mid-Engine -2° Pinion Angle





HTB® 21K for Spartan Motorhome Chassis – Mid Engine

KEY NO.	PART NO.	DESCRIPTION	VEHICLE QTY.	KEY NO.	PART NO.	DESCRIPTION	VEHICLE QTY.
1	65700-000	Frame Hanger	2	24	22962-001	3/4" Hardened Washer	2
2	66797-003	Torque Rod Assembly - 15.67", Includes Key No. 3	2	25	49842-000	3/4"-10 UNC Locknut	2
3	64664-000L 49176-018	**Torque Rod Bushing Torque Rod Fastener Service Kit, Axle Set, Includes Key Nos. 4-8	2	26	32043-005	5/8"-11 UNC x 4 1/2" Lower Shock Bolt	2
4	66636-003	5/8"-11 UNC x 4" Flange Bolt <i>Replaces 32043-008, 22962-004</i>	4	27	22962-004	5/8" Hardened Washer	4
5	66637-000	5/8"-11 UNC Flange Locknut <i>Replaces 47764-000, 22962-004</i>	4	28	47764-000 66175-002	5/8"-11 UNC Locknut Torque Box Cross Member Assembly, Includes Key Nos. 29-35	2 1
6	32043-007	5/8"-11 UNC x 7" Hex Bolt	4	29	64785-005	Torque Box Assembly with Bar Pin Bushing <i>Replaces 64785-004</i>	1
7	22962-004	5/8" Hardened Washer	8	30	67478-000	Cross Member C-Channel <i>Replaces 64970-000</i>	1
8	47764-000	5/8"-11 UNC Locknut	4	31	66698-000	Cross Member Gusset	4
9	66193-001	Pinion Spacer, Air Spring Bracket - 8 mm	4	32	67233-000	Cross Member Bar Pin Clamp <i>Replaces 65144-000</i>	4
10	66193-003	Pinion Spacer, Frame Hanger - 24 mm	4		49176-028	Cross Member Fastener Service Kit, Includes Key Nos. 33-35	
11		Torque Rod Shim	As Req.	33	32043-016	5/8"-11 UNC x 8" Bolt	8
	65640-001	1/32" (0.030")		34	22962-004	5/8" Hardened Washer	8
	65640-002	1/16" (0.060")		35	66637-000	5/8"-11 UNC Flange Locknut <i>Replaces 47764-000</i>	8
	65640-003	1/8" (0.120")		36		*Axle Bracket (Long Arm Side)	1
12	65708-000L	Top Pad Assembly, Includes Key No. 13	2	37		*Axle Bracket (Short Arm Side)	1
13	64080-000	Axle Stop	2	38	66174-000	Axle Bracket Bar Pin Clamp, Non-Adjustable	2
14	66675-000 91430-062	Axle Stop Spacer Plate U-bolt Service Kit, One Wheel End, Includes Key No. 15 and Kit No. 48718-501	2 2	39	66274-000	Axle Bracket Bar Pin Clamp, Adjustable	2
15	64102-001 48718-501	3/4"-16 UNF 13 1/2" U-bolt U-bolt Fasteners Service Kit, One Wheel End, Includes Key Nos. 16-17	4	40	65737-001 66027-001	Axle Bracket Spacer - 0.093" Axle Bracket Fastener Service Kit, Includes Key Nos. 41-43	4
16	22962-001	3/4" Hardened Washer	8	41	58917-003	3/4"-10 UNC x 5 1/2" Bolt <i>Replaces 50764-002</i>	4
17	49685-000	3/4"-16 UNF U-bolt Locknut	8	42	22962-001	3/4" Hardened Washer	8
18		Lower Air Spring Bracket 2°-6° Pinion Angle		43	49842-000 57977-000	3/4"-10 UNC Locknut Height Control Valve Assembly, Includes Key Nos. 44-47	4 1
	65638-001	Left Hand	1	44	60501-000	Height Control Valve	1
	65638-002	Right Hand	1	45	57975-000	HCV Mounting Bracket	1
19	80087-002	Air Spring Assembly (FS) <i>Replaces 66643-002L, 60977-002L</i>	2	46	22962-028	1/4" Hardened Washer	2
20	60819-000	1/2"-13 UNC Flange Nut <i>Replaces 17700-010, 22962-014</i>	2	47	49983-000	1/4"-20 UNC Locknut	2
21	66153-005L	Shock Absorber	2	48		*HCV Linkage Assembly	1
22	67463-005	Shock Absorber Bracket <i>Replaces 65000-005</i>	2	49		*Lower HCV Linkage Mounting Bracket	1
	50754-024	Shock Absorber Fastener Service Kit, Axle Set, Includes Key Nos. 23-28		Not shown	70867-001	P-80® Lubricant - 10 ml	per Bushing 1
23	50764-010	3/4"-10 UNC x 4 1/4" Upper Shock Bolt	2				

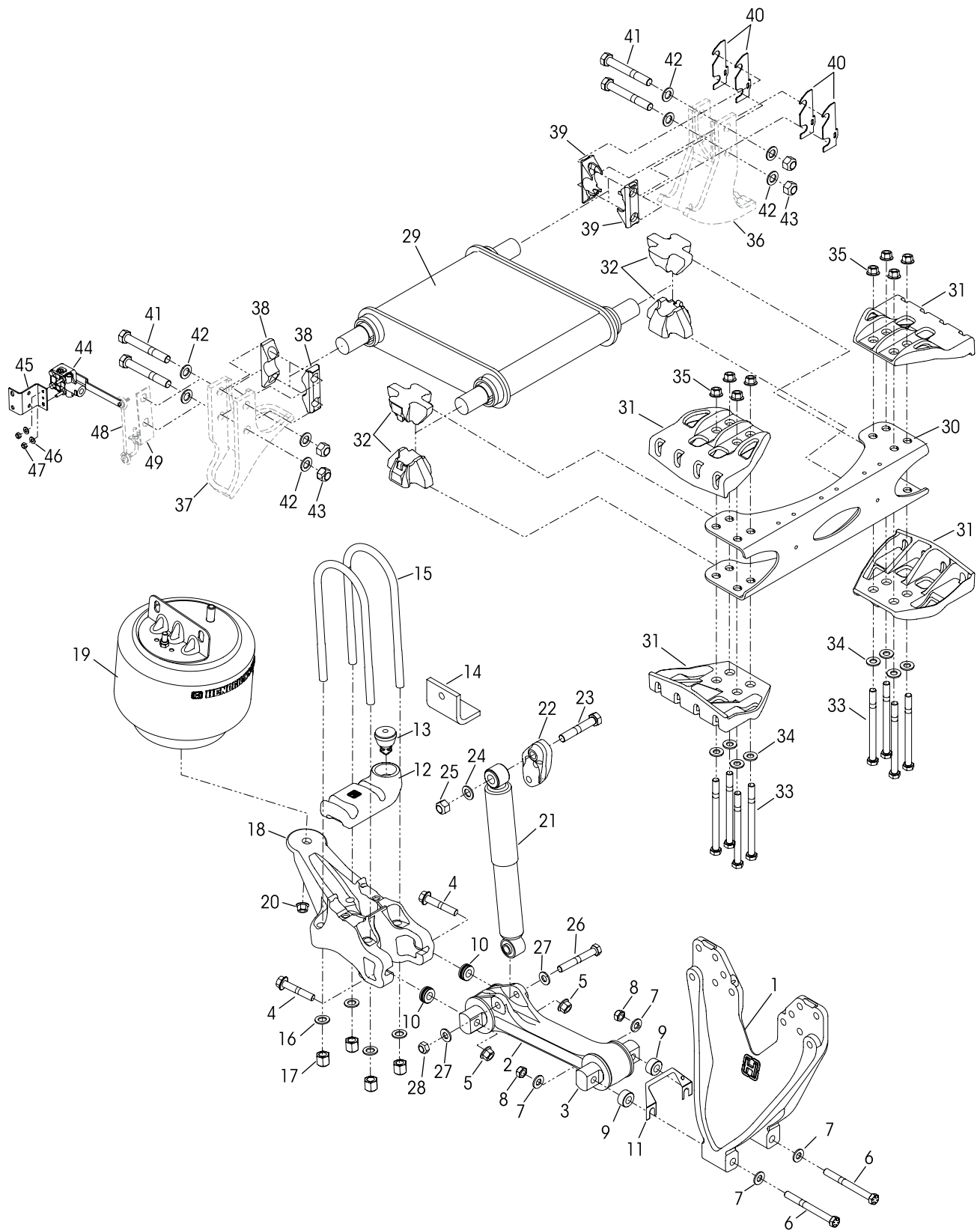
NOTE: * Not supplied by Hendrickson, used for reference only. Hendrickson is not responsible for components supplied by the vehicle manufacturer. For assistance with maintenance and rebuild instructions on these components see vehicle manufacturer.

** HTB torque rod bushing replacement can be done using the Hendrickson Torque Rod Bushing Assembly Tool (Funnel) Part No. 66086-000L, see page 10.



MM Rear Engine -4° Pinion Angle

MM Rear Engine -5° Pinion Angle





HTB® 21K for Spartan Motorhome Chassis – Rear Engine

KEY NO.	PART NO.	DESCRIPTION	VEHICLE QTY.	KEY NO.	PART NO.	DESCRIPTION	VEHICLE QTY.
1	65700-000	Frame Hanger	2		50754-024	Shock Absorber Fastener Service Kit, Axle Set , Includes Key Nos. 23-28	
2	66797-002	Torque Rod Assembly - 15.67", Includes Key No. 3	2	23	50764-010	¾"-10 UNC x 4¼" Upper Shock Bolt	2
3	64664-000L	**Torque Rod Bushing	2	24	22962-001	¾" Hardened Washer	2
	49176-018	Torque Rod Fastener Service Kit, Axle Set , Includes Key Nos. 4-8	2	25	49842-000	¾"-10 UNC Locknut	2
4	66636-003	5/8"-11 UNC x 4" Flange Bolt <i>Replaces 32043-008, 22962-004</i>	4	26	32043-005	5/8"-11 UNC x 4½" Lower Shock Bolt	2
5	66637-000	5/8"-11 UNC Flange Locknut <i>Replaces 47764-000, 22962-004</i>	4	27	22962-004	5/8" Hardened Washer	4
6	32043-007	5/8"-11 UNC x 7" Hex Bolt	4	28	47764-000	5/8"-11 UNC Locknut	2
7	22962-004	5/8" Hardened Washer	8		66175-002	Torque Box Cross Member Assembly, Includes Key Nos. 29-35	1
8	47764-000	5/8"-11 UNC Locknut	4	29	64785-005	Torque Box Assembly with Bar Pin Bushing <i>Replaces 64785-004</i>	1
9		Pinion Spacer - Air Spring Bracket	4	30	67478-000	Cross Member C-Channel <i>Replaces 64970-000</i>	1
	66193-001	8 mm, MM -5° Pinion Angle		31	66698-000	Cross Member Gusset	4
	66193-002	16 mm, MM -4° Pinion Angle		32	67233-000	Cross Member Bar Pin Clamp <i>Replaces 65144-000</i>	4
10		Pinion Spacer - Frame Hanger	4		49176-028	Cross Member Fastener Service Kit , Includes Key Nos. 33-35	
	66193-002	16 mm, MM -5° Pinion Angle		33	32043-016	5/8"-11 UNC x 8" Bolt	8
	66193-004	19.3 mm, MM -4° Pinion Angle		34	22962-004	5/8" Hardened Washer	8
11		Torque Rod Shim	As Req.	35	66637-000	5/8"-11 UNC Flange Locknut <i>Replaces 47764-000</i>	8
	65640-001	1/32" (0.030")		36		*Axle Bracket (Long Arm Side)	1
	65640-002	1/16" (0.060")		37		*Axle Bracket (Short Arm Side)	1
	65640-003	1/8" (0.120")		38	66174-000	Axle Bracket Bar Pin Clamp, Non-Adjustable	2
12	65708-000L	Top Pad Assembly, Includes Key No. 13	2	39	66274-000	Axle Bracket Bar Pin Clamp, Adjustable	2
13	64080-000	Axle Stop	2	40	65737-001	Axle Bracket Spacer - 0.093"	4
14	66675-000	Axle Stop Spacer Plate	2		66027-001	Axle Bracket Fastener Service Kit , Includes Key Nos. 41-43	
	91430-051	U-bolt Service Kit, One Wheel End , Includes Key No. 15 and Kit No. 48718-501		41	58917-003	¾"-10 UNC x 5½" Bolt <i>Replaces 50764-002</i>	4
15	64102-002	¾"-16 UNF x 14" U-bolt	4	42	22962-001	¾" Hardened Washer	8
	48718-501	U-bolt Fasteners Service Kit, One Wheel End , Includes Key Nos. 16-17		43	49842-000	¾"-10 UNC Locknut	4
16	22962-001	¾" Hardened Washer	8		57977-000	Height Control Valve Assembly, Includes Key Nos. 44-47	1
17	49685-000	¾"-16 UNF U-bolt Locknut	8	44	60501-000	Height Control Valve	1
18		Lower Air Spring Bracket 8°-10° Pinion Angle		45	57975-000	HCV Mounting Bracket	1
	65698-001	Left Hand	1	46	22962-028	¼" Hardened Washer	2
	65698-002	Right Hand	1	47	49983-000	¼"-20 UNC Locknut	2
19	80087-002	Air Spring Assembly (FS) <i>Replaces 66643-002L, 60977-002L</i>	2	48		*HCV Linkage Assembly	1
20	60819-000	½"-13 UNC Flange Nut <i>Replaces 17700-010, 22962-014</i>	2	49		*Lower HCV Linkage Mounting Bracket	1
21	66153-005L	Shock Absorber	2	Not shown	70867-001	P-80® Lubricant - 10 ml per Bushing 1	
22	67463-005	Shock Absorber Bracket <i>Replaces 65000-005</i>	2				

NOTE: * Not supplied by Hendrickson, used for reference only. Hendrickson is not responsible for components supplied by the vehicle manufacturer. For assistance with maintenance and rebuild instructions on these components see vehicle manufacturer.

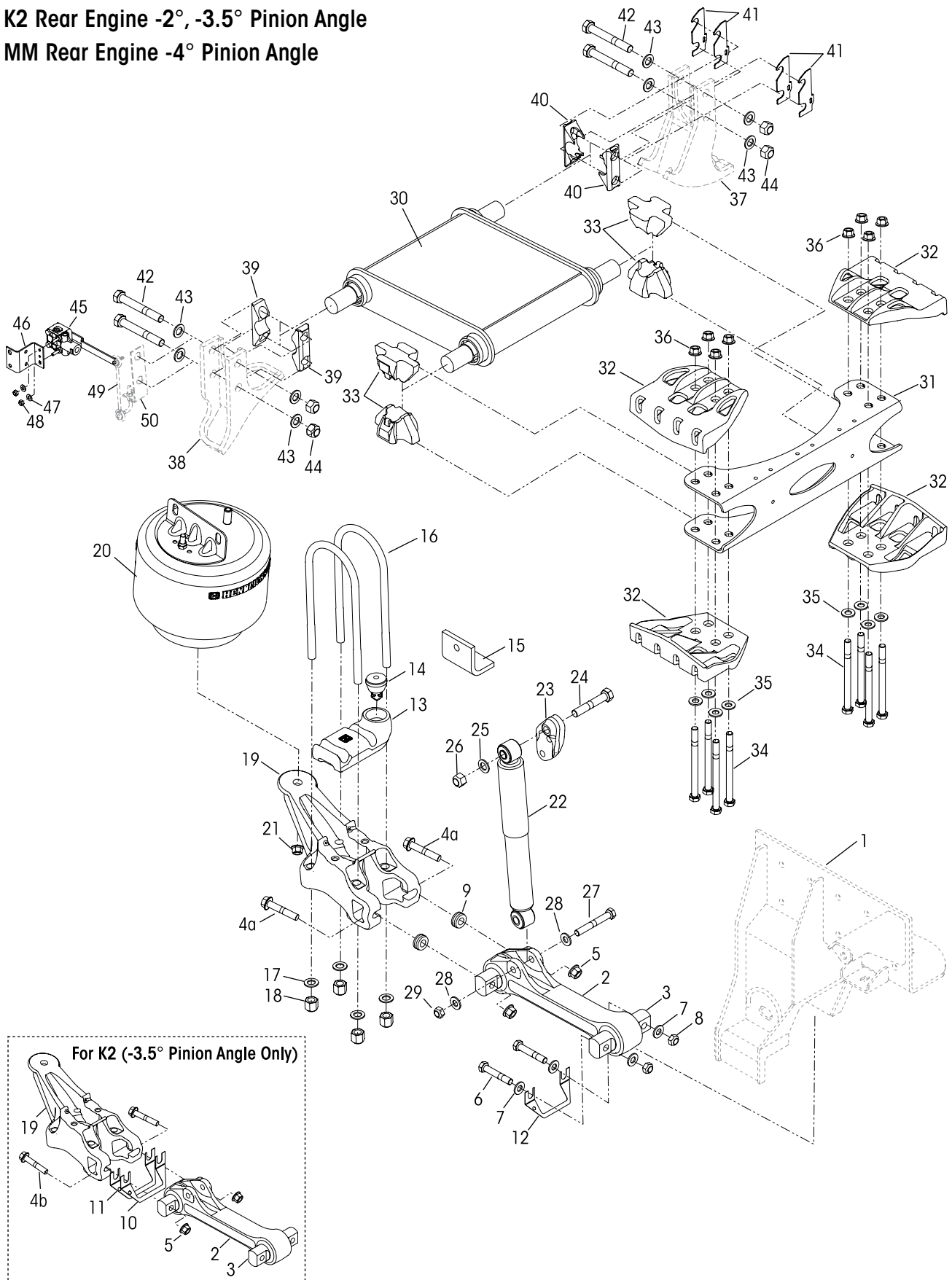
** HTB torque rod bushing replacement can be done using the Hendrickson Torque Rod Bushing Assembly Tool (Funnel) Part No. 66086-000L, see page 10.



Drive Tag

K2 Rear Engine -2°, -3.5° Pinion Angle

MM Rear Engine -4° Pinion Angle





HTB® 21K for Spartan Motorhome Chassis – Drive Tag

KEY NO.	PART NO.	DESCRIPTION	VEHICLE QTY.	KEY NO.	PART NO.	DESCRIPTION	VEHICLE QTY.
1		***Frame Hanger	2		50754-024	Shock Absorber Fastener Service Kit, Axle Set , Includes Key Nos. 24-29	
2	66797-001	Torque Rod Assembly - 15.67", Includes Key No. 3	2	24	50764-010	3/4"-10 UNC x 4 1/2" Upper Shock Bolt	2
3	64664-000L	**Torque Rod Bushing	2	25	22962-001	3/4" Hardened Washer	2
		Torque Rod Fastener Service Kit, Axle Set , K2 -2°, Includes Key Nos. 4a, 5-8		26	49842-000	3/4"-10 UNC Locknut	2
	49176-029	MM -4°, K2 -3 1/2°, Includes Key Nos. 4b, 5-8		27	32043-005	3/4"-10 UNC x 4 1/2" Upper Shock Bolt	2
	49176-037			28	22962-004	5/8" Hardened Washer	4
4		5/8"-11 UNC Flange Bolt	4	29	47764-000	5/8"-11 UNC Locknut	2
a	66636-003	K2 -2°, 4.0", Replaces 32043-008, 22962-004			66175-002	Torque Box Cross Member Assembly, Includes Key Nos. 30-36	1
b	66636-004	MM -4°, K2 -3 1/2°, 3 1/2"		30	64785-005	Torque Box Assembly with Bar Pin Bushing <i>Replaces 64785-004</i>	1
5	66637-000	5/8"-11 UNC Flange Locknut <i>Replaces 47764-000, 22962-004</i>	4	31	67478-000	Cross Member C-Channel <i>Replaces 64970-000</i>	1
6	32043-009	5/8"-11 UNC x 3 1/2" Hex Bolt	4	32	66698-000	Cross Member Gusset	4
7	22962-004	5/8" Hardened Washer	8	33	67233-000	Cross Member Bar Pin Clamp <i>Replaces 65144-000</i>	4
8	47764-000	5/8"-11 UNC Locknut	4		49176-028	Cross Member Fastener Service Kit , Includes Key Nos. 34-36	
9	66193-002	Air Spring Bracket Pinion Spacer K2 (-2.0° Pinion Angle ONLY), 16 mm	4	34	32043-016	5/8"-11 UNC x 8" Bolt	8
		Air Spring Bracket Pinion Shim		35	22962-004	5/8" Hardened Washer	8
10	65640-001	K2 (-3.5° Pinion Angle ONLY), 1/32" (0.030")	2	36	66637-000	5/8"-11 UNC Flange Locknut <i>Replaces 47764-000</i>	8
11	65640-003	K2 (-3.5° Pinion Angle ONLY), 1/8" (0.120")	2	37		*Axle Bracket (Long Arm Side)	1
12		Torque Rod Shim	As Req.	38		*Axle Bracket (Short Arm Side)	1
	65640-001	1/32" (0.030")		39	66174-000	Axle Bracket Bar Pin Clamp, Non-Adjustable	2
	65640-002	1/16" (0.060")		40	66274-000	Axle Bracket Bar Pin Clamp, Adjustable	2
	65640-003	1/8" (0.120")		41	65737-001	Axle Bracket Spacer - 0.093"	4
13	65708-000L	Top Pad Assembly, Includes Key No. 14	2		66027-001	Axle Bracket Fastener Service Kit , Includes Key Nos. 42-44	
14	64080-000	Axle Stop	2	42	58917-003	3/4"-10 UNC x 5 1/2" Bolt <i>Replaces 50764-002</i>	4
15	66675-000	Axle Stop Spacer Plate	2	43	22962-001	3/4" Hardened Washer	8
	91430-051	U-bolt Service Kit, One Wheel End , Includes Key No. 16 and Kit No. 48718-501		44	49842-000	3/4"-10 UNC Locknut	4
16	64102-002	3/4"-16 UNF x 14" U-bolt	4		57977-000	Height Control Valve Assembly, Includes Key Nos. 45-48	1
	48718-501	U-bolt Fasteners Service Kit, One Wheel End , Includes Key Nos. 17-18		45	60501-000	Height Control Valve	1
17	22962-001	3/4" Hardened Washer	8	46	57975-000	HCV Mounting Bracket	1
18	49685-000	3/4"-16 UNF U-bolt Locknut	8	47	22962-028	1/4" Hardened Washer	2
19		Lower Air Spring Bracket 8°-10° Pinion Angle		48	49983-000	1/4"-20 UNC Locknut	2
	65698-001	Left Hand	1	49		*HCV Linkage Assembly	1
	65698-002	Right Hand	1	50		*Lower HCV Linkage Mounting Bracket	1
20	80087-002	Air Spring Assembly (FS) <i>Replaces 66643-002L, 60977-002L</i>	2	Not shown	70867-001	P-80® Lubricant - 10 ml per Bushing	1
21	60819-000	1/2"-13 UNC Flange Nut <i>Replaces 17700-010, 22962-014</i>	2				
22	66153-005L	Shock Absorber	2				
23	67463-005	Shock Absorber Bracket <i>Replaces 65000-005</i>	2				

NOTE: * Not supplied by Hendrickson, used for reference only. Hendrickson is not responsible for components supplied by the vehicle manufacturer. For assistance with maintenance and rebuild instructions on these components see vehicle manufacturer.

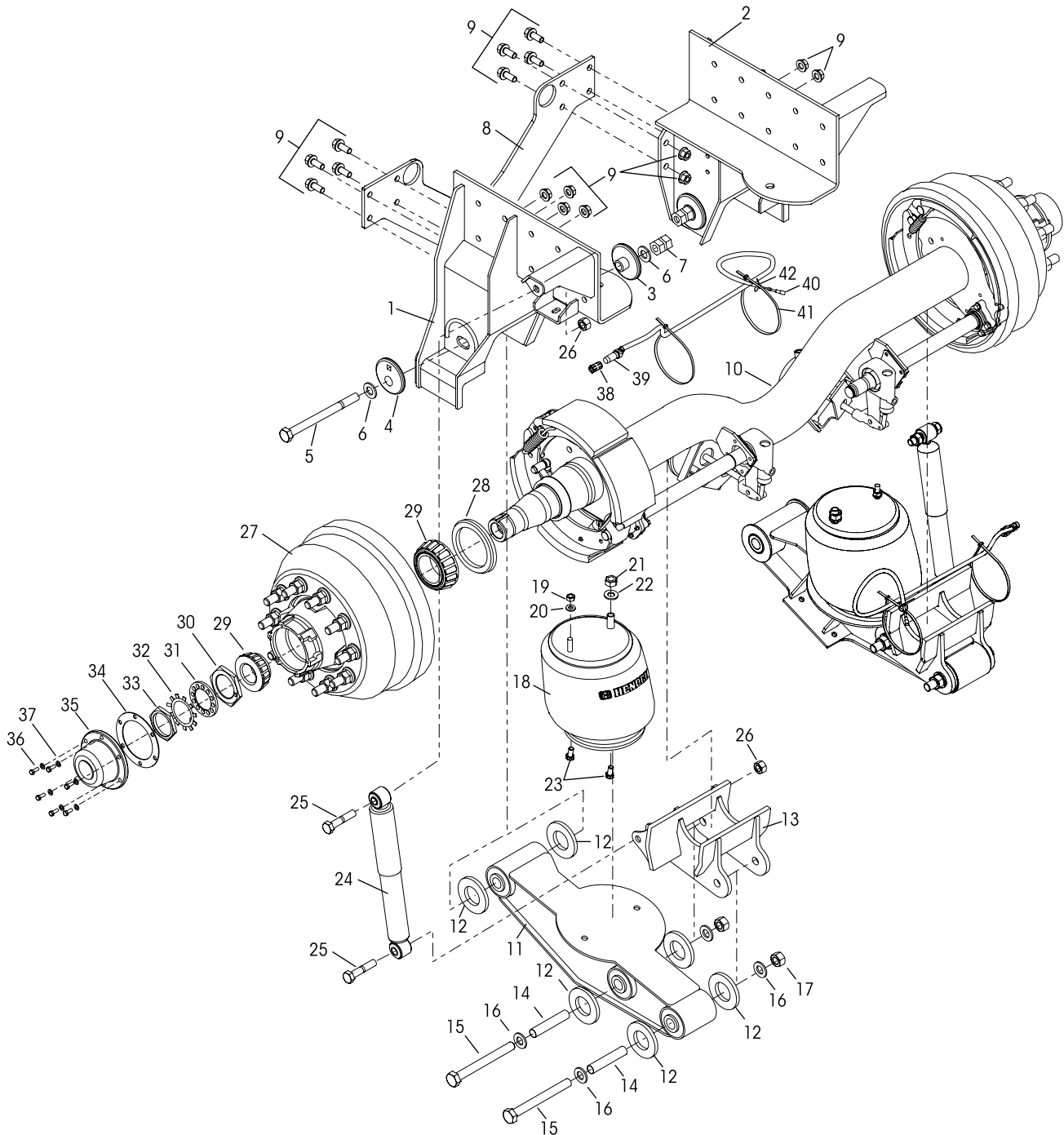
** HTB torque rod bushing replacement can be done using the Hendrickson Torque Rod Bushing Assembly Tool (Funnel) Part No. 66086-000L, see page 10.

*** Supplied by Hendrickson Auxiliary Axle Systems, see Page 9 for Auxiliary Axle Parts List.

Hendrickson Model Part No. TBTSM12A1394UH

Spartan Model Part No. 2986-DD4-001

The components illustrated on this page are supplied by Hendrickson Auxiliary Axle Systems. For information regarding component replacement or technical service call **1-800-660-2829**.





Auxiliary Axle Drive Tag for Spartan Motorhome Chassis

KEY NO.	PART NO.	DESCRIPTION	VEHICLE QTY.	KEY NO.	PART NO.	DESCRIPTION	VEHICLE QTY.
1	006974-1	Hanger Bracket Assembly (Driver's Side)	1	19		*1/2"-13 UNC Zinc Yell Hex Nut	1
2	006974-2	Hanger Bracket Assembly (Passenger's Side)	1	20		*1/2" Zinc Yell Lockwasher	1
	R-A-21116	QUIK-ALIGN® Front Pivot Bolt Kit, Includes Key Nos. 3-7	2	21		*3/4"-16 UNF Zinc Yell Hex Nut	1
3		*Flanged Concentric Inboard Washer	1	22		*3/4" Zinc Yell Lockwasher	1
4		*Flanged Eccentric Washer	1	23		*1/2"-13 UNC x 1" Zinc Yell Hex Bolt	2
5		*7/8"-9 UNC x 10" Heavy Hex Screw	1	24	007452-1	Shock Absorber	2
6		*Hardened Steel Washer	2		006921	Shock Absorber Bolt Kit (DTSM) (Zinc), Includes Key Nos. 25-26	2
7		*QUIK-ALIGN Service Nut	1	25		*3/4"-10 UNC x 3 1/2" Zinc Yell Hex Bolt	2
8	006993	Cross Member, 3 1/4" F.W.	1	26		*3/4"-10 UNC Zinc Yell Locknut	2
9	006912	Cross Member Bolt Kit	1	27	008152	Hub / Drum ST20/22/UH/OUT/10/ABS / P Spindle	2
	006723-P	Axle Beam Assembly, Includes Key Nos. 10-13	1		007532	Wheel End Components Kit, Includes Key Nos. 28-37	1
10	P226BXXEC0734XX	*Axle - 6" Drop, 6 1/2" x 6" Brakes	1	28		*Hub Seal	2
11		*Beam Assembly		29		*Bearing Cone P-Series	4
	006927-1	Driver's Side	1		007463	P22 Spindle Hardware Kit, Includes Key Nos. 30-33	2
	006927-2	Passenger's Side	1	30		*Inner Nut P22 Spindle	1
12	B-14495	*Wear Pad	12	31		*Lockwasher P22 Spindle	1
13		**Axle Seat Weldment (DTSM)	1	32		*Tab Lockwasher 3 1/2" ID	1
		**Axle Seat Weldment (DTSM)	1	33		*Outer Nut P22 Spindle	1
	006932	Axle Seat Bolt Kit, Includes Key Nos. 14-17	2	34		*Hubcap Gasket 6 3/4" BC	2
14		*Plastic Liner	2	35		*Hubcap Oil Sentinel 6 3/4" BC	2
15		*7/8"-9 UNC Heavy Hex Bolt	2	36		*5/16"-18 UNC x 3/4" Phos Hex Bolt	12
16		*7/8" Washer	4	37		*5/16" Zinc Lockwasher	12
17		*7/8"-9 UNC Hex Nut	2	38	006924	ABS Sensor Clip	2
18		Air Spring (Ride)	2	39	006910	ABS Sensor	2
	006994	10k		40	006929	ABS Conduit Sleeve	2
	010679	12k		41	006897	Cable Tie, Heavy Duty	4
	006913	Air Spring Bolt Kit (Zinc), Includes Key Nos. 19-23	2	42	006969	Cable Tie, Light Duty	2

NOTE: The components listed on this page for Hendrickson Model No. TBTSM12A1394UH (Spartan Model No. 2986-DD4-001) are supplied by Hendrickson Auxiliary Axle Systems. For additional information regarding component replacement or technical service call **1-800-660-2829**.

* Item included in assembly / kit only, part not sold separately.

** Axle seat brackets are welded to axle tube. Part not serviceable.



Special Tools

ULTRA ROD PLUS TORQUE ROD BUSHING (FUNNEL) TOOL



Hendrickson Part No. 66086-000L

This is a general parts list to provide directional information. Components may vary by model. Questions in regards to parts, contact Hendrickson Truck Parts at 1.866.755.5968 (Toll-free U.S. and Canada), 630.910.2800 (Outside U.S. and Canada) or email: truckparts@hendrickson-intl.com.

Actual product performance may vary depending upon vehicle configuration, operation, service and other factors.

All applications must comply with applicable Hendrickson specifications and must be approved by the respective vehicle manufacturer with the vehicle in its original, as-built configuration. Contact Hendrickson for additional details regarding specifications, applications, capacities, and operation, service and maintenance instructions.

Call Hendrickson at 1.866.755.5968 (toll-free) or 1.630.910.2800 for additional information.



www.hendrickson-intl.com

TRUCK COMMERCIAL VEHICLE SYSTEMS
800 South Frontage Road
Woodridge, IL 60517-4904 USA
1.866.755.5968 (Toll-free U.S. and Canada)
1.630.910.2800 (Outside U.S. and Canada)
Fax 1.630.910.2899

SP-186 Rev D 01-17

© 2007–2017 Hendrickson USA, L.L.C. All Rights Reserved. All trademarks shown are owned by Hendrickson USA, L.L.C., or one of the affiliates, in one or more countries.

Information contained in this literature was accurate at the time of publication. Product changes may have been made after the copyright date that are not reflected.

Printed in United States of America