

Hendrickson Main Support Members also called "Z" springs or "Z" bars — are an integral part of the suspension

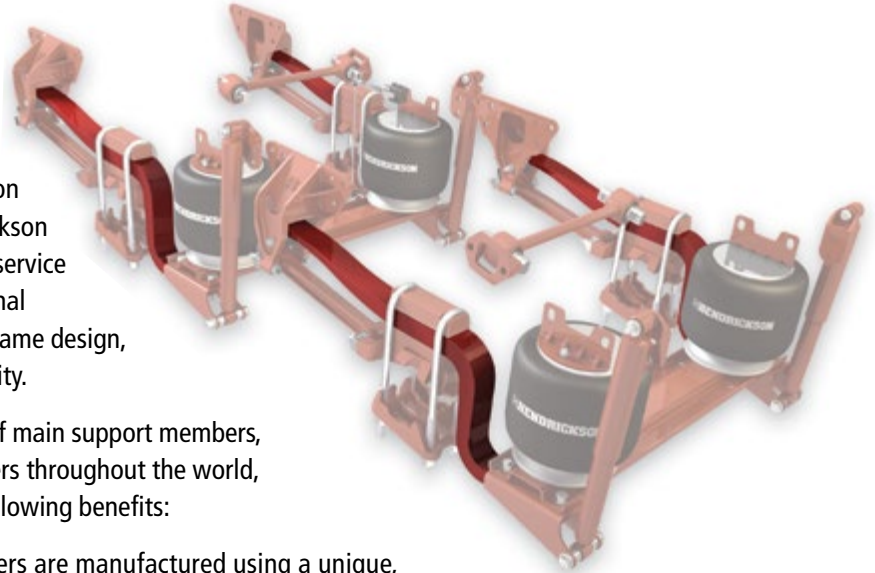
As the industry leader, Hendrickson conducts advanced research and development for springs and main support members.

To help ensure high end user satisfaction and peak system performance, Hendrickson supplies the same genuine springs for service requirements as were installed in original Hendrickson suspensions — with the same design, construction, performance, and durability.

Hendrickson, a leading manufacturer of main support members, supplies major OEM truck manufacturers throughout the world, supplying each component with the following benefits:

- Hendrickson's main support members are manufactured using a unique, proprietary, fine-grain alloy with high tensile strength, developed specifically by Hendrickson engineers and steel manufacturers.
- The qualities of the alloy enable Hendrickson to optimize the balance between roll stiffness, ride quality and long service life.
- Hendrickson's main support members go through a proprietary heat-treat process, for enhanced quality and durability.
- Critical surfaces of the main support members go through a proprietary high intensity, stress-peening process to increase the fatigue life of the spring.

Hendrickson recommends that main support members be inspected regularly to help ensure proper service and performance.



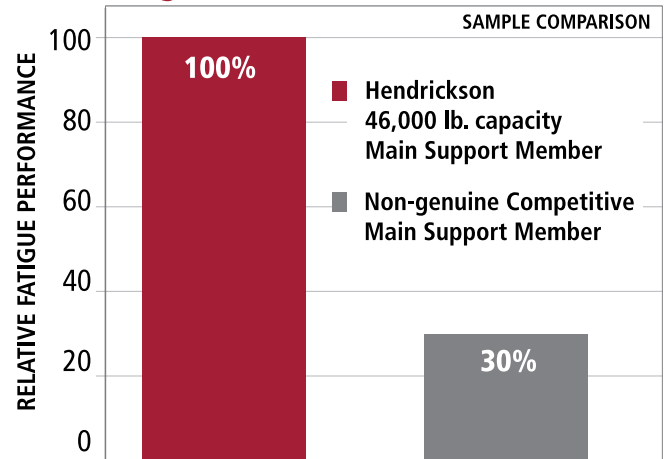
To learn more about Hendrickson Genuine Parts, call 1.866.755.5968 or visit www.hendricksonparts.com

GENUINE PARTS Main Support Members

Hendrickson's main support members continue to meet rigid OEM requirements, providing reliable and consistent performance.

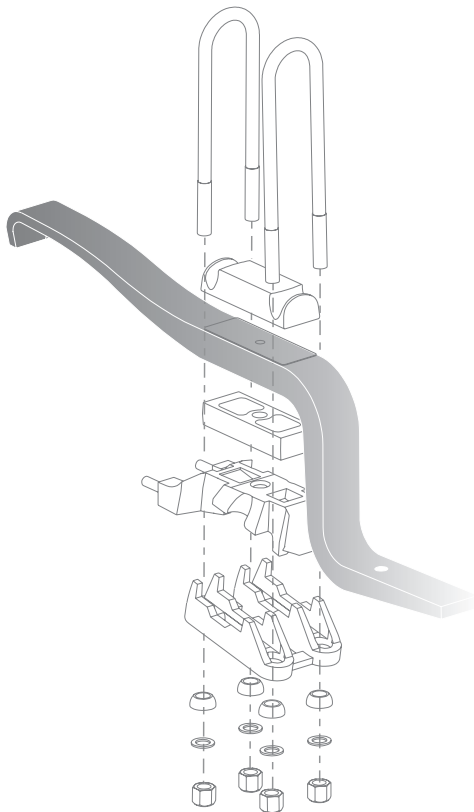
When replacing main support members, Hendrickson recommends the replacement of the U-bolts and fasteners to maintain proper clamp force. Please specify U-bolt length when ordering.

MAIN SUPPORT MEMBER Fatigue Performance



Fatigue performance is a measure of fatigue testing cycles. Above data is based upon internal fatigue testing. Actual product performance may vary depending upon suspension and vehicle configuration, operation, service and other factors.

Main Support Member Part Numbers



PART NO.	SUSPENSION MODEL	COMMENTS
HAS™		
56925-000	HAS 120L, HAS 150L	Low Profile
56928-000	HAS 190L, HAS 400L, HAS 400L	Low Profile
56931-000	HAS 210L, HAS 400L	Low Profile
56934-000	HAS 230L, HAS 460L	Low Profile
56937-000	HAS 120, HAS 150	
56940-000	HAS 190, HAS 360	
56943-000	HAS 210, HAS 400	
56946-000	HAS 230, HAS 402, HAS 460	
57217-000	HAS 40LH	
59597-000	HAS 460 Plus	Severe Service
60262-000	HAS 40LH	
HA™		
48112-001	HA 360	
48645-001	HA 460	
56871-001	HA 400	
COMFORT AIR®		
60779-000	COMFORT AIR Blue Bird	
65106-001	COMFORT AIR Hino	
MAXAIR • AL-405		
58691-000	MAXAIR AL-405	Left Hand
58768-000	MAXAIR AL-405	Right Hand

Call your truck dealer or Hendrickson at **1.866.755.5968** (toll-free) or **1.630.910.2800** for additional information.



www.hendrickson-intl.com

TRUCK COMMERCIAL VEHICLE SYSTEMS

800 South Frontage Road
Woodridge, IL 60517-4904 USA
1.866.755.5968 (Toll-free U.S. and Canada)
1.630.910.2800 (Outside U.S. and Canada)
Fax 1.630.910.2899