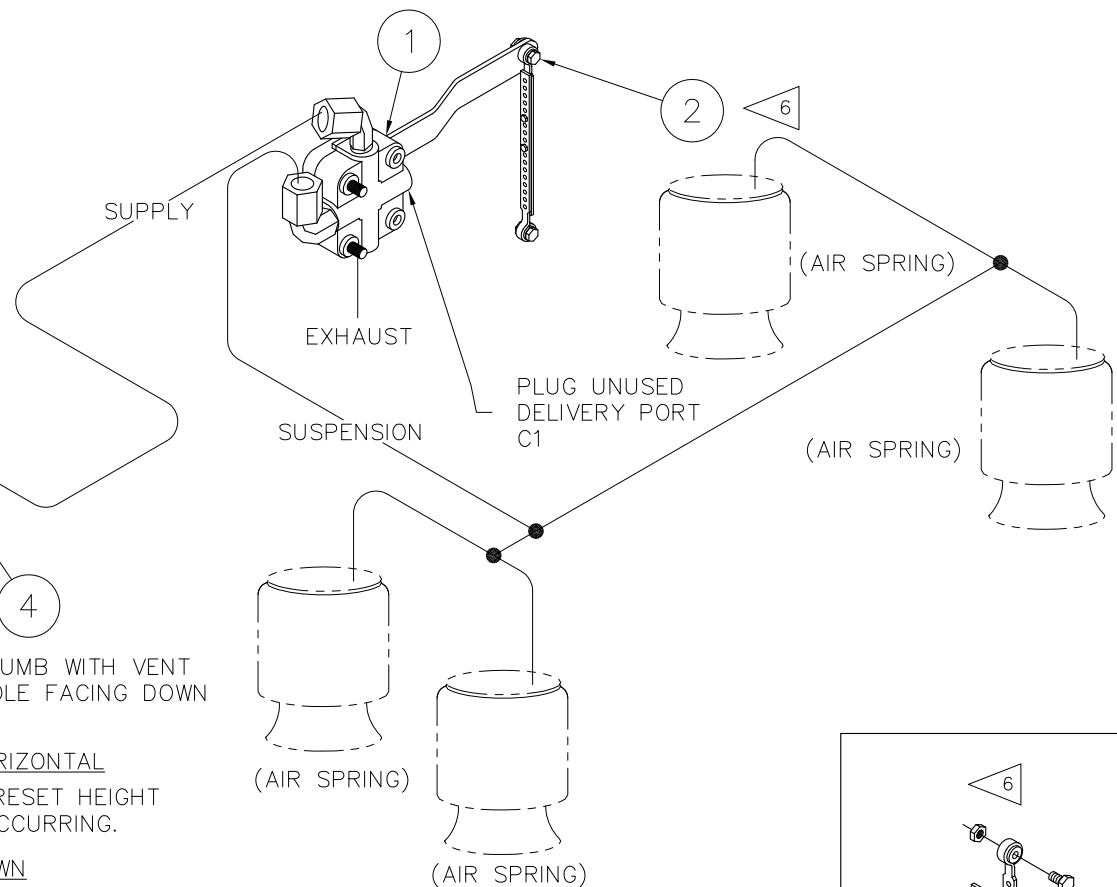
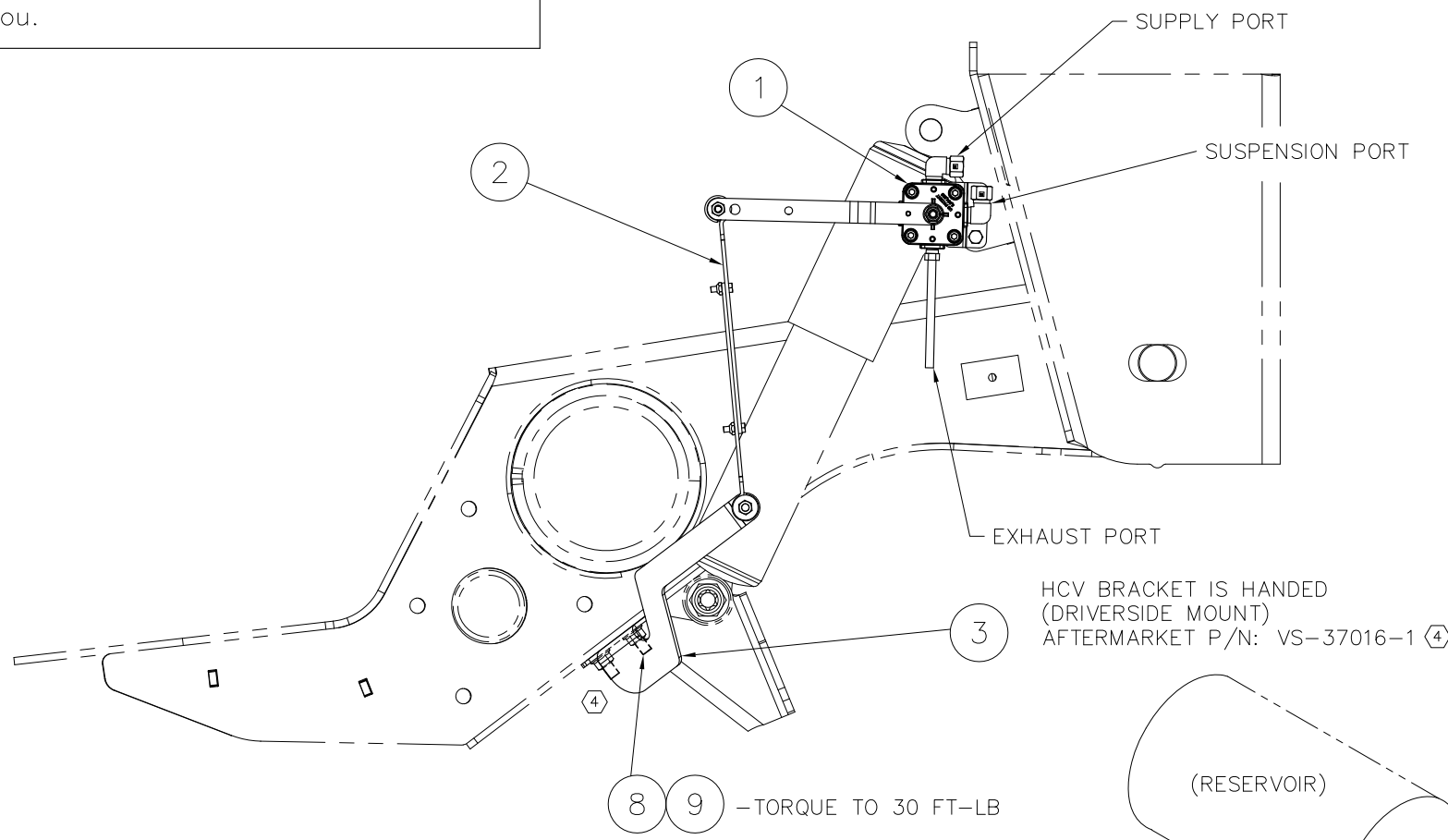


This Print remains the property of Hendrickson. All information contained thereon is confidential. It is loaned, subject to return on demand and on express condition that it is not to be copied or used directly or indirectly for any purpose other than the purpose for which it has been loaned to you.

HCV WITHOUT DUMP			AKH0306B-3	AKH0306-3
ITEM	PART NO.	DESCRIPTION	QTY.	QTY.
1	A-28651	HCV - VALVE ONLY	1	1
2	A-14187	LINK ASSEMBLY - BOLTED	1	1
3	B-37016-1	HCV BRACKET	1	1
4	A-1128	PRESSURE PROTECTION VALVE	-	1
*5	DWG AKH0306	HIGH FLOW HCV KIT FOR INTRAAX® UNDERSLUNG	1	1
*6	L-668	INSTALLATION INSTRUCTIONS	1	1
*7	A-34959	HCV SUB-KIT (#8)	1	1
8	SA-1100-10	3/8-16 X 1.25 LG HEX CAP SCREW	2	2
9	SA-7000-3	3/8-16 PREV-TORQ HEX FLG NUT	2	2
* NOT SHOWN			WEIGHT (LB):	2.42 2.72



NOTES:

- DO NOT ADD LUBRICATION TO AIR SYSTEM.
- ALL CONNECTIONS MUST BE LEAK PROOF.
- AVOID BENDS IN AIR LINES.
- AIR LINE FITTINGS AND LINES TO BE FURNISHED BY INSTALLER. 3/8" O.D. POLYIMIDE TUBING RECOMMENDED.
- APPLICATION - ALL TRAILERS USING INTRAAX® AAL, KIT NOT COMPATIBLE WITH AAEDL, AND AAEDT SUSPENSION MODELS
- TRIM & BOLT LINKS AS REQ'D TO HOLD HEIGHT CONTROL VALVE IN NEUTRAL POSITION WHEN SUSPENSION IS AT RIDE HEIGHT.
- AIR UP SUSPENSION UNTIL AXLE IS SET AT PROPER RIDE HEIGHT. INSERT LOCATING PIN IN HCV CONTROL ARM TO HOLD ARM IN NEUTRAL POSITION. INSTALL ONE END OF THE LINK TO THE HEIGHT CONTROL VALVE. INSTALL THE OTHER LINK END IN MOUNTING BRACKET. INSTALL LINK FASTENERS AND TIGHTEN NUTS. DO NOT OVER-TIGHTEN LINK FASTENERS, LINK SHOULD ROTATE FREELY.

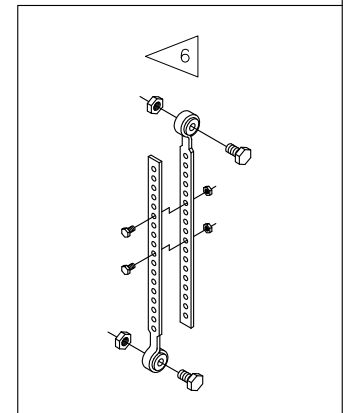
OPERATION:

VALVE ARM HORIZONTAL
FRAME IS AT PRESET HEIGHT
NO AIR FLOW OCCURRING.

VALVE ARM DOWN
FRAME IS HIGH, AIR SPRINGS
ARE EXHAUSTED UNTIL ARM
IS HORIZONTAL.

VALVE ARM UP
FRAME IS LOW, AIR SPRINGS
ARE INFLATED UNTIL ARM
IS HORIZONTAL.

FUNCTION:
AUTOMATIC HEIGHT CONTROL.



<p>HENDRICKSON</p> <p>TRAILER COMMERCIAL VEHICLE SYSTEMS 2070 INDUSTRIAL PLACE S.E., CANTON, OH 44707-2600 U.S.A.</p>	<p>UNLESS OTHERWISE NOTED: TOLERANCES ARE: DIMENSIONS ARE: INCHES</p> <p>.X: ± .1 .XX: ± .06 .XXX: ± .030 ANGULAR: ± 0.5°</p> <p>3RD ANGLE PROJECTION DIMENSIONS ADHERE TO ANSI Y14.5M-1982</p>	<p>4 25101 CCV 03-01-16 3 24284 DPB 6/1/15 1g 23631 FJA 10/27/14 1 21892 ALG 02/06/13</p>	<p>REV. ECN NO. BY DATE</p>	<p>DRAWN BY: DJF CHK'D BY: C. ANDERSON APP'D BY: B. BREWER</p>	<p>DATE: 12/13/12</p>	<p>THIS DRAWING IS THE CONFIDENTIAL PROPERTY OF HENDRICKSON</p>	<p>SCALE: .25=1.00 (SIZE) PAGE: 1 OF 1 DRAWING No. AKH0306</p>	<p>HCV KIT FOR AAL LDA</p>
---	---	---	-----------------------------	--	-----------------------	---	--	----------------------------