

# **H** PARTS LIST

## INTRAAX® AAEDL

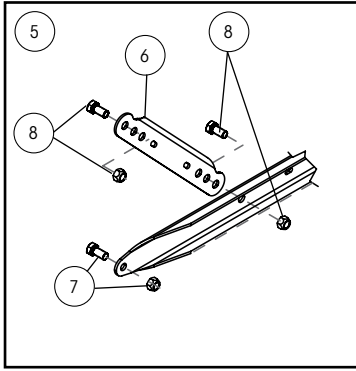
LIT NO: L1058

DATE: June 2019

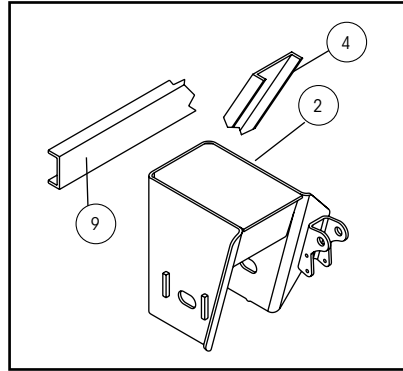
REVISION: C

---

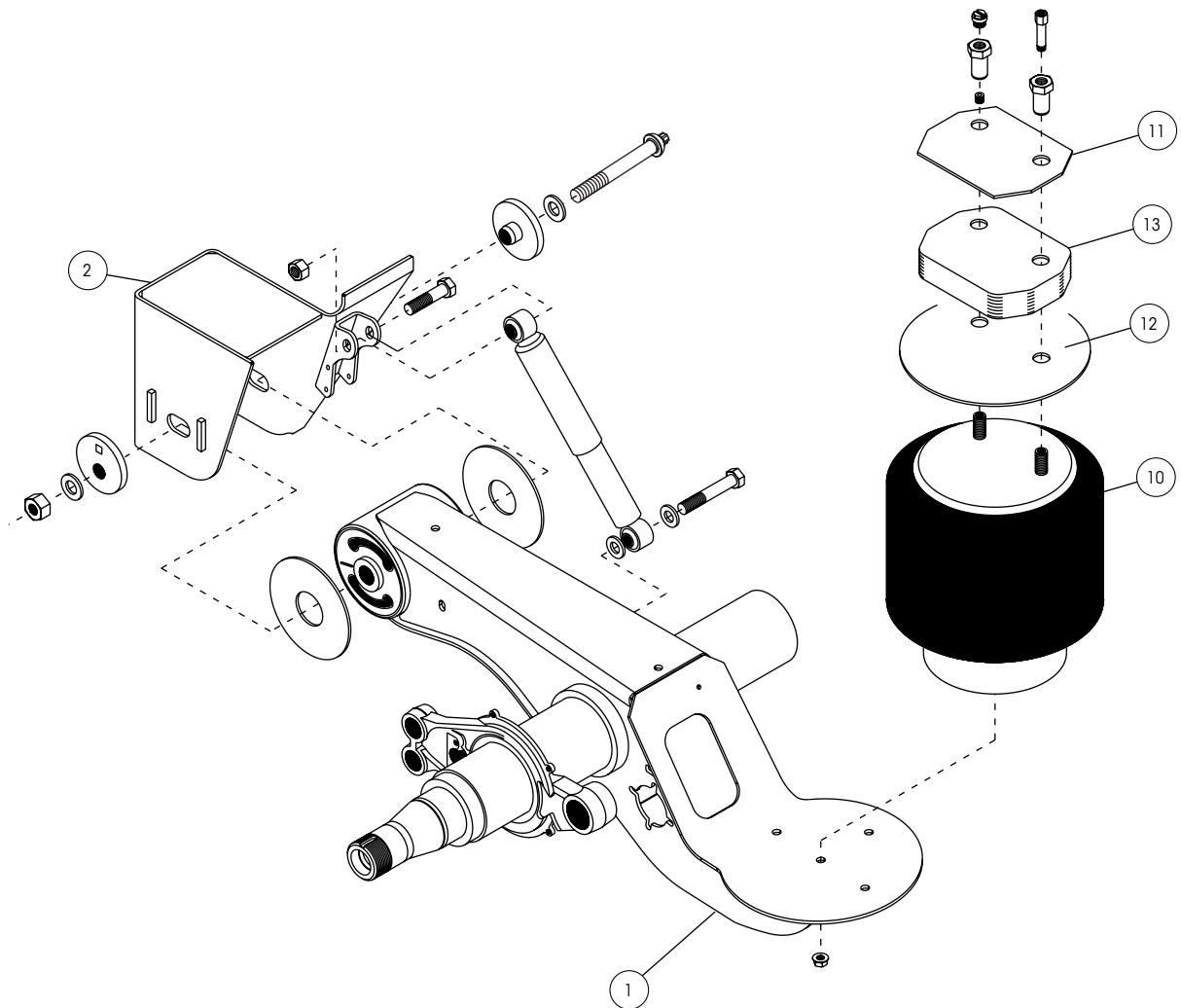




Bolt-on C-Channel



Wingless, weld-on frame bracket with QUIK-ALIGN®





ITEM	DESCRIPTION	PART NO.	QTY.	NOTE
1	<b>AXLE/BEAM WELDMENT</b>	HTRAAX.XXX	1	Contact Hendrickson for assistance
2	<b>FRAME BRACKET<sup>1</sup></b>			See L1266 Frame Bracket Parts List
3	<b>FRAME BRACKET GUSSET</b> (Not shown)	S-27330	2	14" and 15" ride heights
4	<b>FRAME BRACKET BRACE</b>	B-2347-7	1	16" and 17" ride heights
5	<b>BOLT-ON C-CHANNEL KIT<sup>2</sup></b>			
	71.5" Track	S-31901-3C	1	Standard/black primer; includes c-channel, 2 struts and strut bolt kit
	77.5" Track	S-31901-1C	1	Standard/black primer; includes c-channel, 2 struts and strut bolt kit
6	<b>STRUT<sup>2</sup></b>	B-30591	2	
7	<b>C-CHANNEL BOLT KIT</b>	S-29822	1	Includes 2 screws and 2 prevailing torque nuts
8	<b>STRUT BOLT KIT</b>	S-30720	1	Includes 6 screws and 6 prevailing torque nuts
9	<b>WELD-ON C-CHANNEL</b>			
	71.5" - 77.5" Tracks	A-1631-19	1	3-inch c-channel
	83.5" - 85" Tracks	A-1631-35	1	3-inch c-channel
10	<b>AIR SPRING</b> (Standard Pressure)			
	9" ride height	S-24445	2	
	12" - 19" ride heights	S-24446	2	
11	<b>AIR SPRING MOUNTING PLATE</b>			
	Weld-on	S-20905	2	12" - 19" ride heights; standard air spring mounting plate
	Bolt-on <sup>3</sup>	B-21145	2	13.5" - 19" ride heights; standard air spring mounting plate
		B-21715	2	13.5" - 19" ride heights; pattern 1 air spring mounting plate
		B-22390	2	13.5" - 19" ride heights; pattern 2 air spring mounting plate
		B-27264	2	13.5" - 19" ride heights; pattern 3 air spring mounting plate
12	<b>AIR SPRING FLEX PLATE</b>			
	Weld-on	S-23294	2	9" to 19" ride heights
	Bolt-on	B-24813	2	9" and 12" ride heights
		S-23294	2	14" to 19" ride heights
13	<b>AIR SPRING SPACER<sup>4</sup></b>			
	14" ride height	B-22510-4	2	Weld-on and bolt-on hangers
	15" and 16" ride heights	B-22510-3	2	Weld-on and bolt-on hangers; Standard air spring mount
	15" and 16" ride heights	D-27049-8	2	Weld-on hangers; Thick 0.9" to 1.25" air spring mount
	17" ride height	D-27049-5	2	Weld-on hangers
	19" ride height	D-27049-4	2	Weld-on hangers

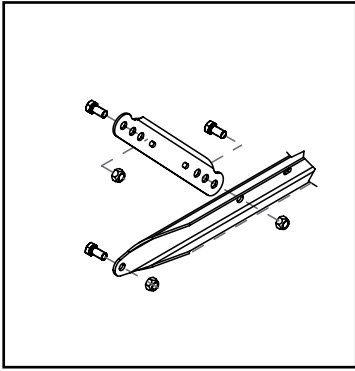
1. Options exist based on frame attachment, frame bracket style, bolt hole pattern and connection. Contact Hendrickson for assistance or refer to L1266 Frame Bracket Parts List.

2. Struts are only optional for bolt-on frame brackets. Other options exist for galvanized or different track widths.

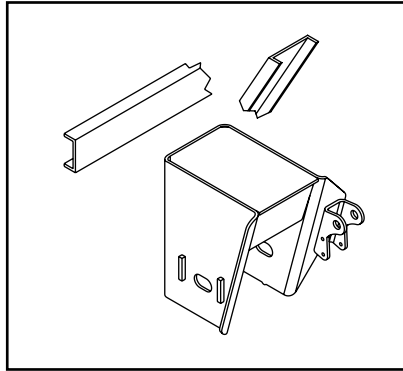
3. Please see INTRAAX Bolt-on Mounting Drawing, D-26651, for assistance in pattern selection. This drawing can be found in the literature section of the Hendrickson website ([www.hendrickson-intl.com](http://www.hendrickson-intl.com)).

4. Other options exist. Contact Hendrickson for assistance.

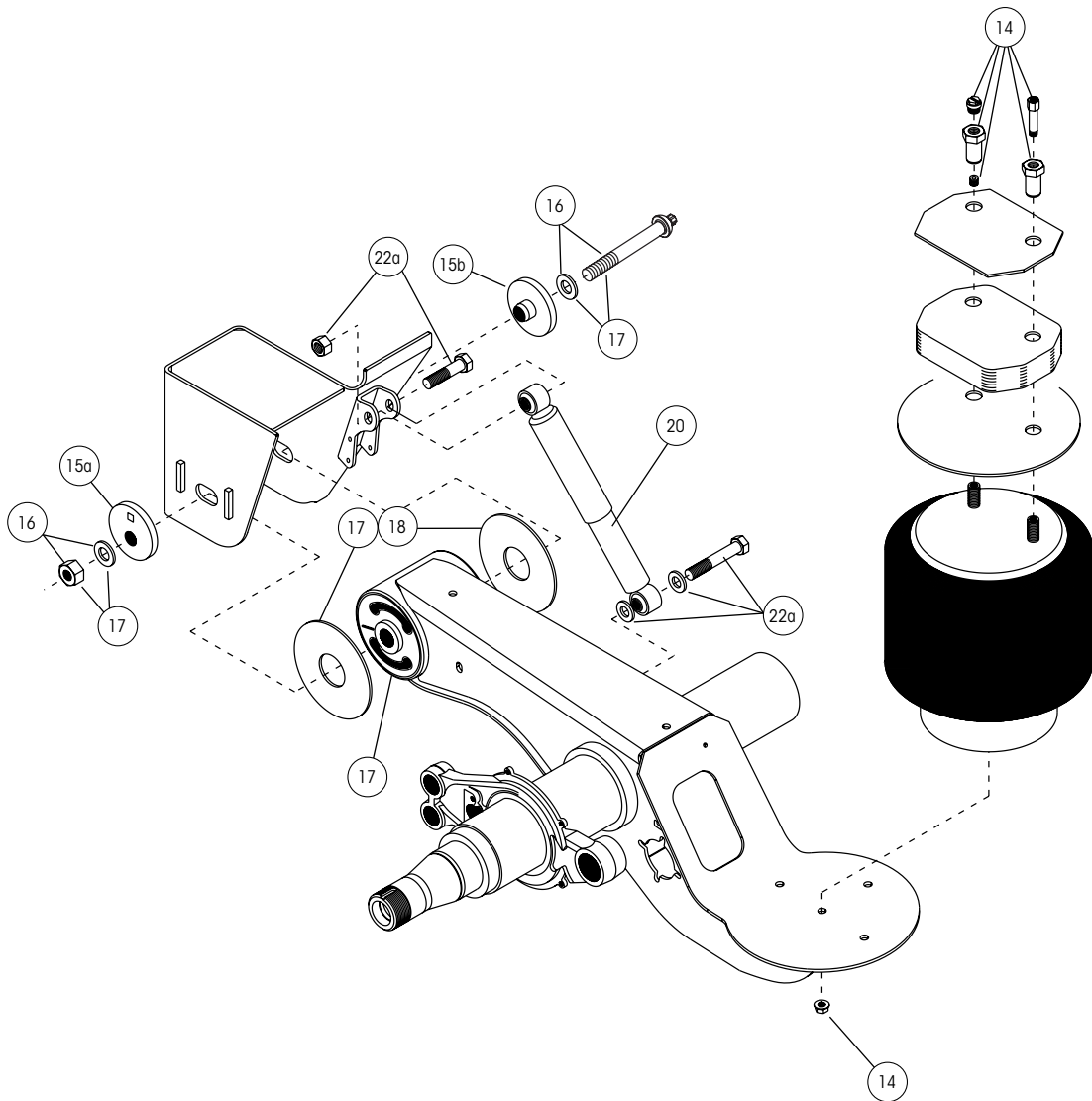
Note: Identification tag can be found on the inside of the curbside beam.



Bolt-on C-Channel



Wingless, weld-on frame bracket with QUIK-ALIGN®





ITEM	DESCRIPTION	PART NO.	QTY.	NOTE
<b>14</b>	<b>AIR SPRING MOUNTING KIT</b>			One (1) kit per air spring
	Standard travel			
	9" - 12" ride heights	S-25452/2	2	
	14" ride height	S-25453/2	2	
	15" - 16" ride heights	S-25455/2	2	
	17" - 19" ride heights	S-25452/2	2	
	Standard travel — Thick .90 - 1.25" Frame			
	9" - 12" ride heights — Thick .90 - 1.25" Frame	S-25453/2	2	
	14" ride height	S-25454/2	2	
	15" - 16" ride heights	S-25452/2	2	
	Limited jounce			
	9" - 12" ride heights — Thick .90 - 1.25" Frame	S-25454/2	2	
	14" ride height	S-25455/2	2	
	15" - 19" ride heights	S-25452/2	2	
	Limited jounce — Thick .90 - 1.25" Frame			
	14" ride height	S-25455/2	2	
<b>15</b>	<b>ALIGNMENT COLLARS</b>			
	<b>15a</b> Eccentric	S-20925	2	Pivot bolt hole is offset from center of collar
	<b>15b</b> Concentric	S-20924	2	Pivot bolt hole is in center of collar
<b>16</b>	<b>QUIK-ALIGN® PIVOT BOLT KIT<sup>5</sup></b>	S-24679	2	Includes 10" bolt, hexnut and (2) hardened washers
<b>17</b>	<b>TRI-FUNCTIONAL® BUSHING KIT<sup>5, 6</sup></b>	S-24691	2	Includes (1) TRI-FUNCTIONAL Bushing, (1) pivot bolt kit (Item 11), (2) bushing tube spacers and lube packet
<b>18</b>	<b>BUSHING TUBE SPACERS</b>	S-21099	4	
<b>19</b>	<b>BUSHING TUBE SPACER KIT (Not shown)</b>	S-26369	2	Includes (2) standard bushing tube spacers, 10" shear-type bolt, hex nut and hardened washers - not available in high control
<b>20</b>	<b>FRONT SHOCK ABSORBER</b>			Extended service / High damping
	9" ride height	S-24579	2	
	12" ride height	S-24023	2	
	14" - 19" ride heights	S-23316	2	
<b>21</b>	<b>REAR SHOCK ABSORBER (Not shown)</b>			
	9" - 12" ride heights	S-25436	2	
	14" - 17" ride heights	S-25437	2	
<b>22</b>	<b>SHOCK BOLT KIT</b>			(1) One kit per shock
	<b>22a</b> Front shock absorber	S-24757/2	2	
	<b>22b</b> Rear shock absorber (Not shown)	S-2157/2	2	

5. Best installed with Hendrickson's E-20 Socket S-24536 (1-inch drive sleeveless), S-25119 (1-inch drive sleeve), or S-24303 (3/4 inch drive sleeveless).

6. Bushing tool (S-21307) is required to correctly rebush the suspension.



ITEM	DESCRIPTION	PART NO.	QTY.	NOTE
<b>REBOUND LIMITER COMPONENTS — Not Shown</b>				
<b>23</b>	<b>REBOUND LIMITER CHAIN</b>			
	9" ride height	SA-9600-10	2	10 links
	12" ride height	SA-9600-12	2	12 links
	14" - 17" ride heights	SA-9600-14	2	14 links
	19" ride height	SA-9600-16	2	16 links
<b>24</b>	<b>CHAIN BRACKET FLANGED BOLT</b>	SA-6900-18	2	
		SA-6900-20	4	
<b>25</b>	<b>CHAIN BRACKET FLANGED NUT</b>	SA-7000-2	2	
		SA-7000-6	4	
<b>26</b>	<b>ADJUSTMENT BRACKET</b>	C-25426	2	
<b>27</b>	<b>ADJUSTMENT ARM</b>	B-25270	2	
<b>28</b>	<b>ADJUSTMENT ARM JAM NUT</b>	SA-3300-2	2	
<b>29</b>	<b>LOWER CHAIN BRACKET (L)</b>	C-25271-1	1	
<b>30</b>	<b>LOWER CHAIN BRACKET (R)</b>	C-25271-2	1	
<b>31</b>	<b>CHAIN BRACKET BOLT</b>	SA-1000-31	6	
<b>32</b>	<b>CHAIN BRACKET NUT</b>	SA-8900-3	6	
<b>33</b>	<b>CHAIN BRACKET WASHER</b>	SA-1500-6	12	



*Actual product performance may vary depending upon vehicle configuration, operation, service and other factors.  
All applications must comply with applicable Hendrickson specifications and must be approved by the respective vehicle manufacturer with the vehicle in its original, as-built configuration.  
Contact Hendrickson for additional details regarding specifications, applications, capacities, and operation, service and maintenance instructions.*

**Call Hendrickson at 330.489.0045 or 866.RIDEAIR (743.3247) for additional information.**



[www.hendrickson-intl.com](http://www.hendrickson-intl.com)

**TRAILER COMMERCIAL VEHICLE SYSTEMS**

2070 Industrial Place SE  
Canton, OH 44707-2641 USA  
866.RIDEAIR (743.3247)  
330.489.0045 • Fax 800.696.4416

**Hendrickson Canada**

250 Chrysler Drive, Unit #3  
Brampton, ON Canada L6S 6B6  
800.668.5360  
905.789.1030 • Fax 905.789.1033

**Hendrickson Mexicana**

Circuito El Marqués Sur #29  
Parque Industrial El Marqués  
Pob. El Colorado, Municipio El Marqués,  
Querétaro, México C.P. 76246  
+52 (442) 296.3600 • Fax +52 (442) 296.3601

L1058 Rev C 06-19

© 2012 – 2019 Hendrickson USA, L.L.C. All Rights Reserved. All trademarks shown are owned by Hendrickson USA, L.L.C., or one of its affiliates, in one or more countries.  
Information contained in this literature was accurate at the time of publication. Product changes may have been made after the copyright date that are not reflected.

Printed in United States of America