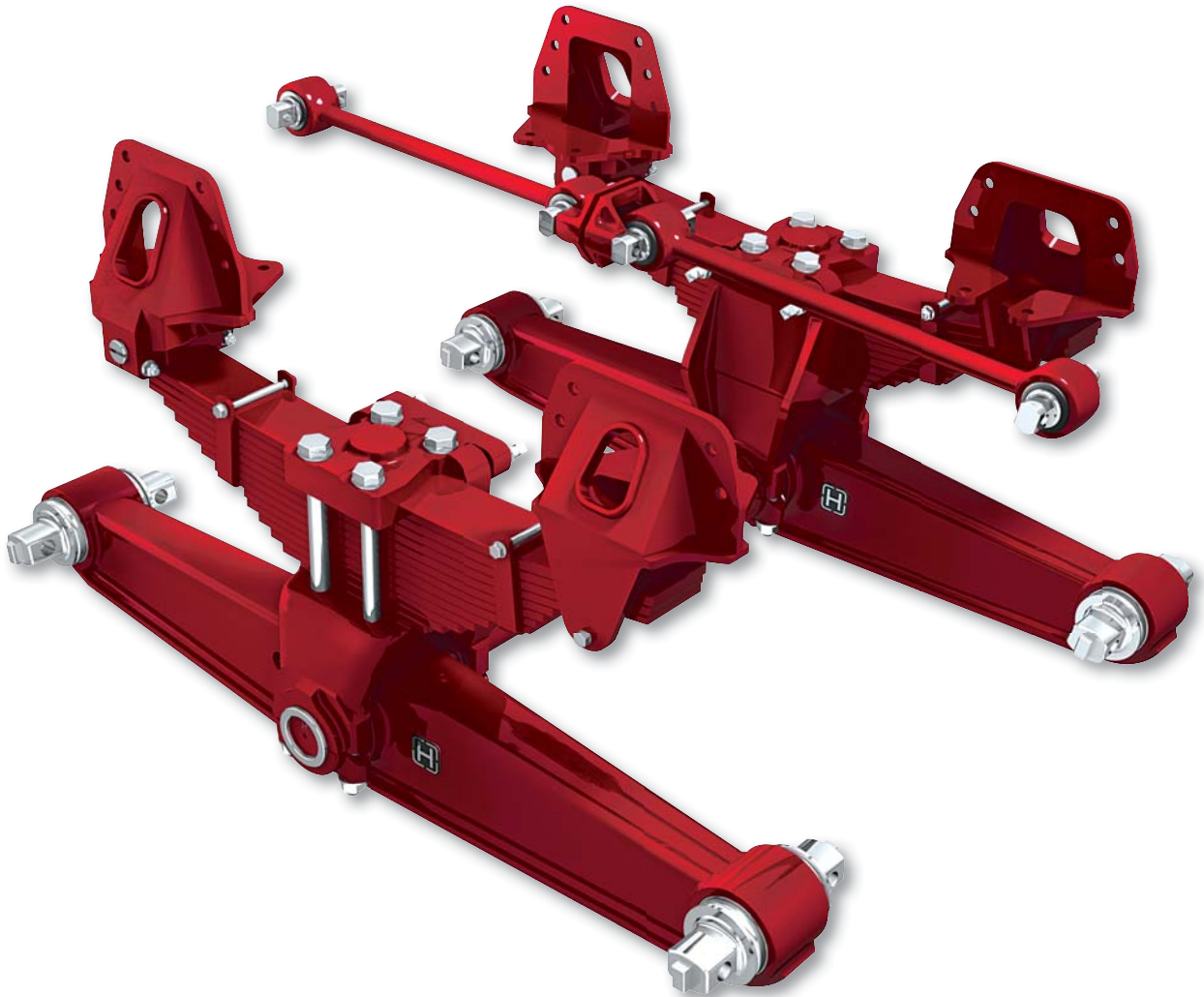




Increase stability and off-road maneuverability with RT™ on International® Trucks



Built on a legacy of durability and traction, the Hendrickson RT™ Series has been the standard in the vocational truck industry for over 90 years. The RT Series utilizes Hendrickson's walking beam technology for greater mobility on punishing job sites.

To learn more about RT SERIES, call 855.743.3733 or visit www.hendrickson-intl.com

H HENDRICKSON
The World Rides On Us®

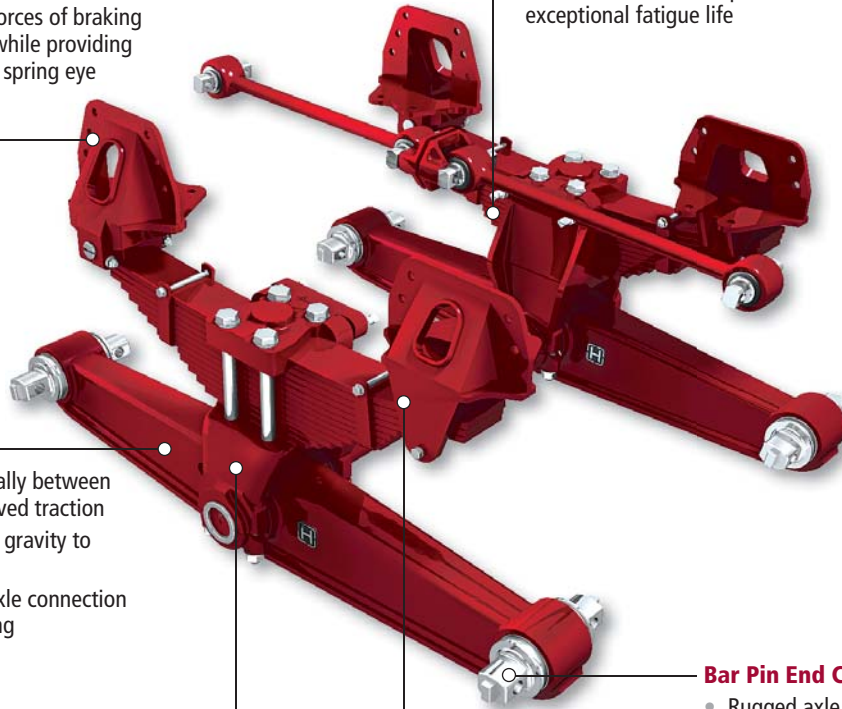
RT™ for International® Trucks

No. 1 Spring Hanger

- Helps absorb the forces of braking and acceleration, while providing longer hanger and spring eye bushing life

Spring Pack

- Genuine Hendrickson springs are made from high-strength steel
- Heat treated and shot peened for exceptional fatigue life



Equalizing Beam

- Distributes load equally between both axles for improved traction
- Lowers the center of gravity to increase stability
- Establishes a solid axle connection for improved handling

Saddle

- Engineered to increase durability without adding weight
- High stress concentration areas are fortified for strength and durability

Bar Pin End Connection

- Rugged axle connection extends bushing life and allows easy axle alignment

No. 2 Spring Hanger

- Cam and leg areas receive a special flame hardening treatment that increases durability and extends life

RT Feature Codes

International Model	Feature Code	RT Capacity	Center Bushing	Axle Spacing
DuraStar®/ WorkStar®	14UHZ	40,000 lbs.	*Rubber	52 in.
DuraStar / PayStar® / WorkStar	14UHD	40,000 lbs.	*Rubber	54 in.
DuraStar / PayStar / WorkStar	14UHK	46,000 lbs.	Bronze	54 in.
PayStar / WorkStar	14UHL	46,000 lbs.	*Rubber	60 in.
PayStar / WorkStar	14698	52,000 lbs.	Bronze	54 in.
WorkStar	14UHE	60,000 lbs.	*Rubber	60 in.
WorkStar	14524	65,000 lbs.	*Rubber	56 in.

All applications must comply with applicable Hendrickson specifications and must also be approved by Navistar with the vehicle in its original, as-built configuration. All marks are trademarks of their respective owners.

*Transverse torque rods are required with rubber bushings

Call your truck dealer or Hendrickson at **630.910.2800** or **855.RIDERED (743.3733)** for additional information.



TRUCK COMMERCIAL VEHICLE SYSTEMS
 800 South Frontage Road
 Woodridge, IL 60517-4904 USA
 855.RIDERED (743.3733)
 630.910.2800 • Fax 630.910.2899

www.hendrickson-intl.com



www.internationaltrucks.com