



# H<sup>®</sup> ASSEMBLY INSTRUCTIONS

## PRIMAAX<sup>®</sup> EX Heavy-duty Rear Air Suspension for Mexico, Central, and South America

**SUBJECT:** Aftermarket Shock Absorber  
Service Kit No. 60961-706

**LIT NO:** 59310-060

**DATE:** October 2013

**REVISION:** A

### INTRODUCTION

This publication is intended to assist maintenance personnel with the installation of Hendrickson Aftermarket Shock Absorber Kit No. 60961-706 for PRIMAAX<sup>®</sup> EX rear air suspensions operated only in the following regions:

- Mexico
- Central America
- South America

See Hendrickson publication 17730-238SP for complete safety and service instructions for the PRIMAAX EX suspension available online at [spanish.hendrickson-intl.com](http://spanish.hendrickson-intl.com).

#### Shock Absorber Service Kit No. 60961-706 Contents for One Axle

##### Description

\*2 (Two) Shock Absorbers (Part No. 70807-001)

¾" Upper Shock Bracket Fasteners

⅝" Lower Shock and Frame Fasteners

\* This kit is for servicing one axle, additional kits required to service more than one axle.

### WARNING

A TECHNICIAN USING A SERVICE PROCEDURE OR TOOL WHICH HAS NOT BEEN RECOMMENDED BY HENDRICKSON MUST FIRST SATISFY HIMSELF THAT NEITHER HIS SAFETY NOR THE VEHICLE'S SAFETY WILL BE JEOPARDIZED BY THE METHOD OR TOOL SELECTED. INDIVIDUALS DEVIATING IN ANY MANNER FROM THE INSTRUCTIONS PROVIDED WILL ASSUME ALL RISKS OF CONSEQUENTIAL PERSONAL INJURY OR DAMAGE TO EQUIPMENT INVOLVED.

### NOTE

Shock absorbers **MUST** be replaced **in pairs on the same axle** when converting to the PRIMAAX EX Aftermarket Shock Absorber Kit.

## PRIMAAX EX SHOCK ABSORBER KIT

### DISASSEMBLY

1. Chock the wheels of the vehicle.

### NOTE

If removal of the height control valve linkage bracket is necessary for shock absorber replacement, mark the position of the linkage bracket to facilitate reinstallation.

2. Remove and discard the lower shock absorber mounting fasteners. Mark the height control valve linkage bracket (if equipped) position and remove.
3. Remove and discard the upper shock absorber mounting fasteners.
4. Slide the shock absorber out of the upper shock frame brackets.

### SERVICE HINT

The removal of huck fasteners may be necessary to remove the upper shock frame bracket.

5. Remove and discard the upper shock frame bracket to frame fasteners. This may require removal of the huck fasteners.
6. Inspect the upper shock frame brackets for damage or wear. Replace if necessary.



## ASSEMBLY

## NOTE

Shock absorbers **MUST** be replaced **in pairs on the same axle** when converting to the PRIMAAX EX Aftermarket Shock Absorber Kit.

1. Install the new  $\frac{3}{4}$ " x 4.5" upper shock bolts to the upper shock frame brackets, see Figure 1.
2. Install the upper shock frame brackets to the frame using the supplied  $\frac{5}{8}$ " x 2.5" frame fasteners. Tighten to  $\mathbb{N}$  190-230 foot pounds (258-312 Nm) torque, see Figure 1.
3. Install the shock absorbers into the upper shock frame brackets.
4. Install the upper shock absorber fasteners. **DO NOT** tighten at this time.

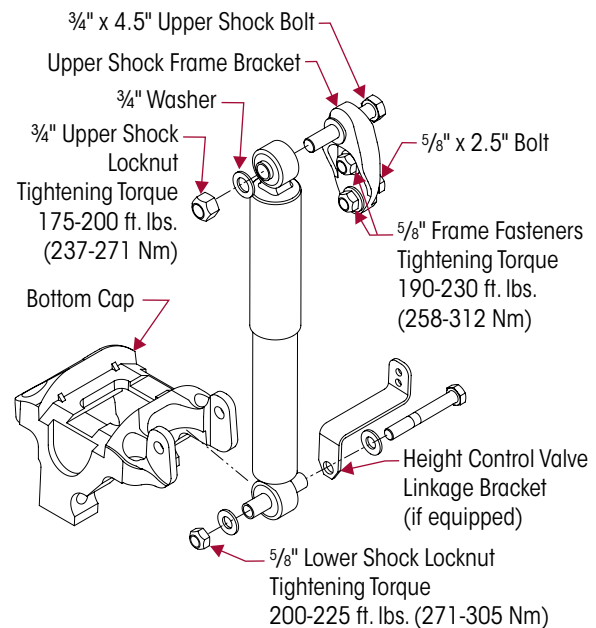


## CAUTION

ON THE SUSPENSION MODELS USING THE CAST UPPER SHOCK BRACKET (PART NO. 67463-002) THE UPPER SHOCK BOLT MUST BE INDEXED INTO THE RECESSED HEX BORE OF THE UPPER SHOCK FRAME BRACKET FOR PROPER FASTENER INSTALLATION. FAILURE TO DO SO CAN CAUSE THE SHOCK FASTENERS TO BECOME LOOSE AND CAUSE PREMATURE COMPONENT DAMAGE.

5. Slide the lower shock absorbers into the bottom caps.
6. Install the new lower shock absorber fasteners and height control valve linkage brackets (if equipped) into the same position as removed.
7. Tighten the lower shock absorber locknuts to  $\mathbb{N}$  200-225 foot pounds (271-305 Nm) torque, see Figure 1.
8. Tighten the upper shock absorber locknuts to  $\mathbb{N}$  175-200 foot pounds (237-271 Nm) torque, see Figure 1.
9. If the height control valve linkage bracket(s) was removed, verify the vehicle ride height. Refer to the Alignment & Adjustments Section of Hendrickson Publication No. 17730-238SP.
10. Remove the wheel chocks.

FIGURE 1



Refer any questions on this publication to Hendrickson Tech Services:

Phone  
1.630.910.2800 (USA)  
442.296.3600 (México)

Fax  
1.630.910.2899 (USA)  
442.296.3601 (México)

e-mail  
techservices@hendrickson-intl.com (USA)  
Info-la@hendrickson-intl.com (México)

www.hendrickson-intl.com



Hendrickson Mexicana  
Circuito El Marqués Sur #29  
Parque Industrial El Marqués  
Pob. El Colorado, Municipio El Marqués  
Querétaro, México C.P. 76246  
+52 (442) 296.3600  
Fax +52 (442) 296.3601

Truck Commercial Vehicle Systems  
800 South Frontage Road  
Woodridge, IL 60517-4904 USA  
1.866.755.5968 (Toll-free U.S. and Canada)  
1.630.910.2800 (Outside U.S. and Canada)  
Fax 1.630.910.2899