

PARTS LIST

HTS™ Rear Mechanical Suspension for Autocar

LIT NO: SP-228

DATE: August 2016

REVISION: C

CONTENTS

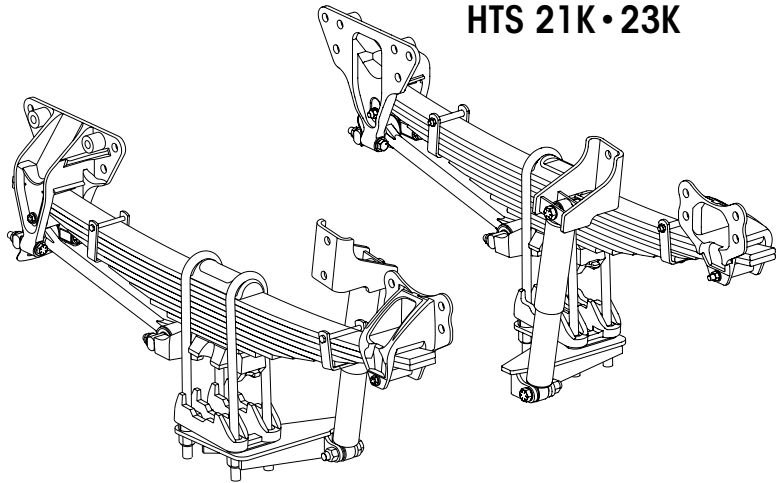
DESCRIPTION	PAGE
-------------	------

Parts Lists

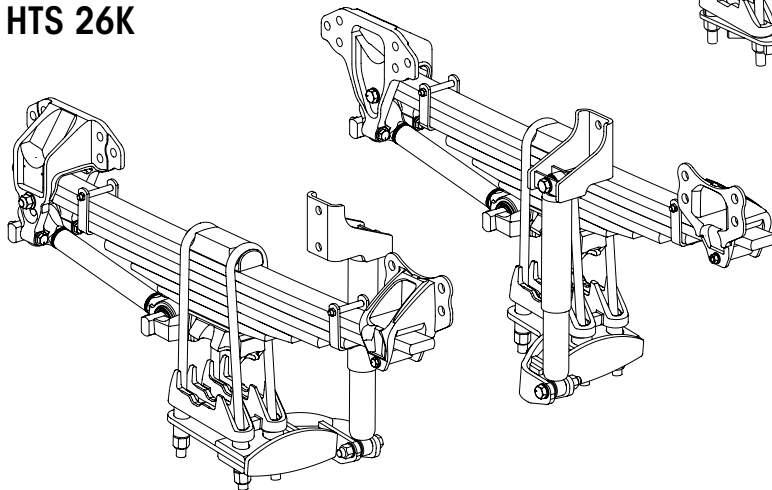
- HTS 21K•23K 2
- HTS 26K..... 4
- HTS 31K..... 6

Special Tools 8

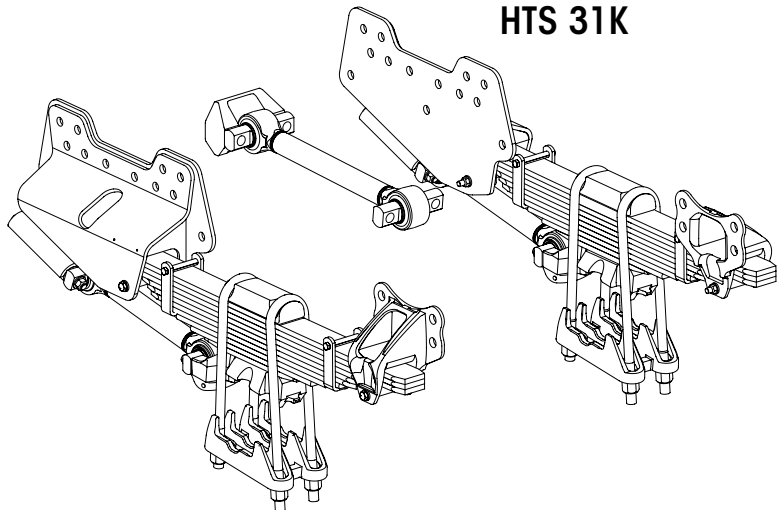
HTS 21K•23K



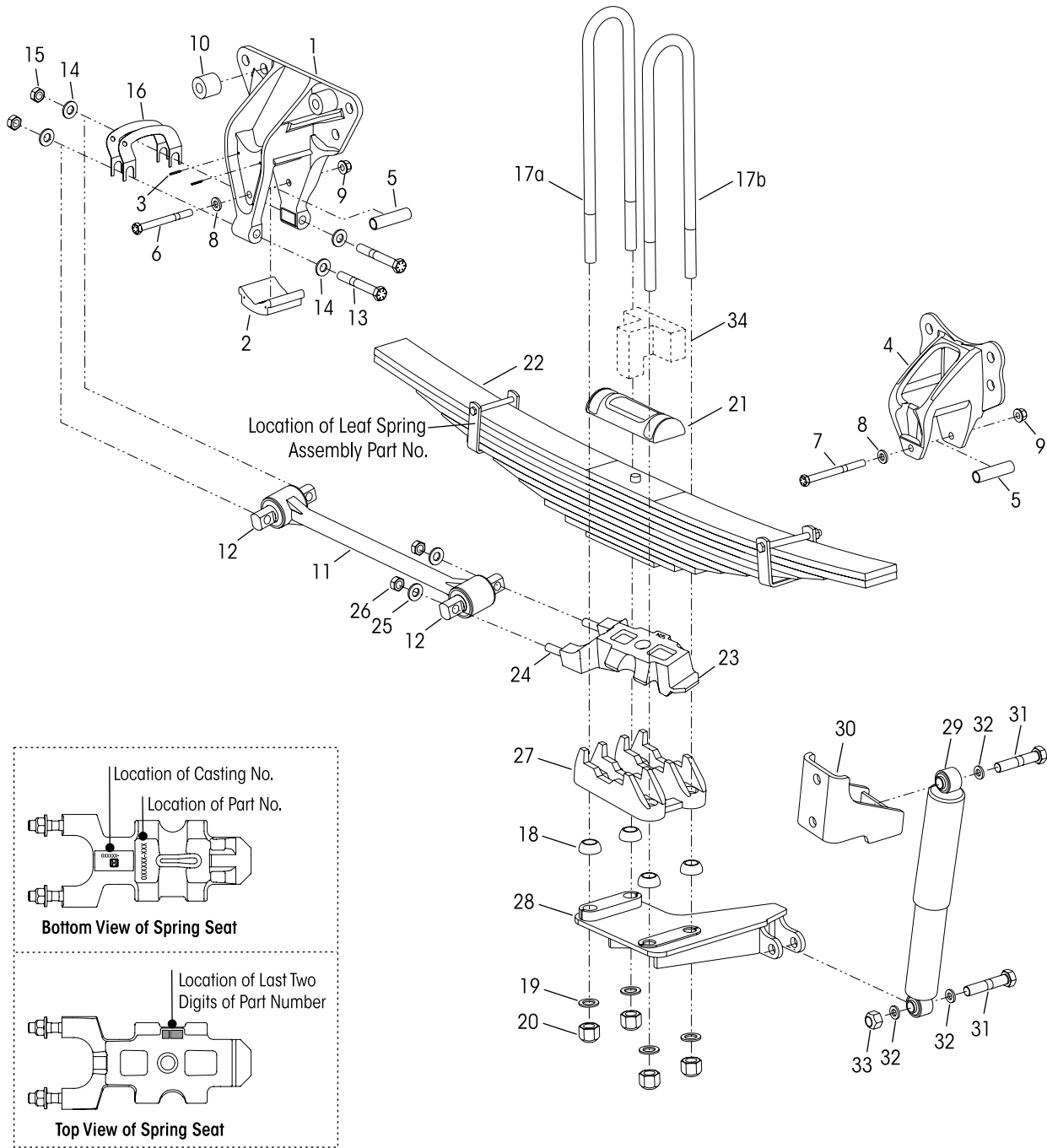
HTS 26K



HTS 31K



■ 21K • 23K

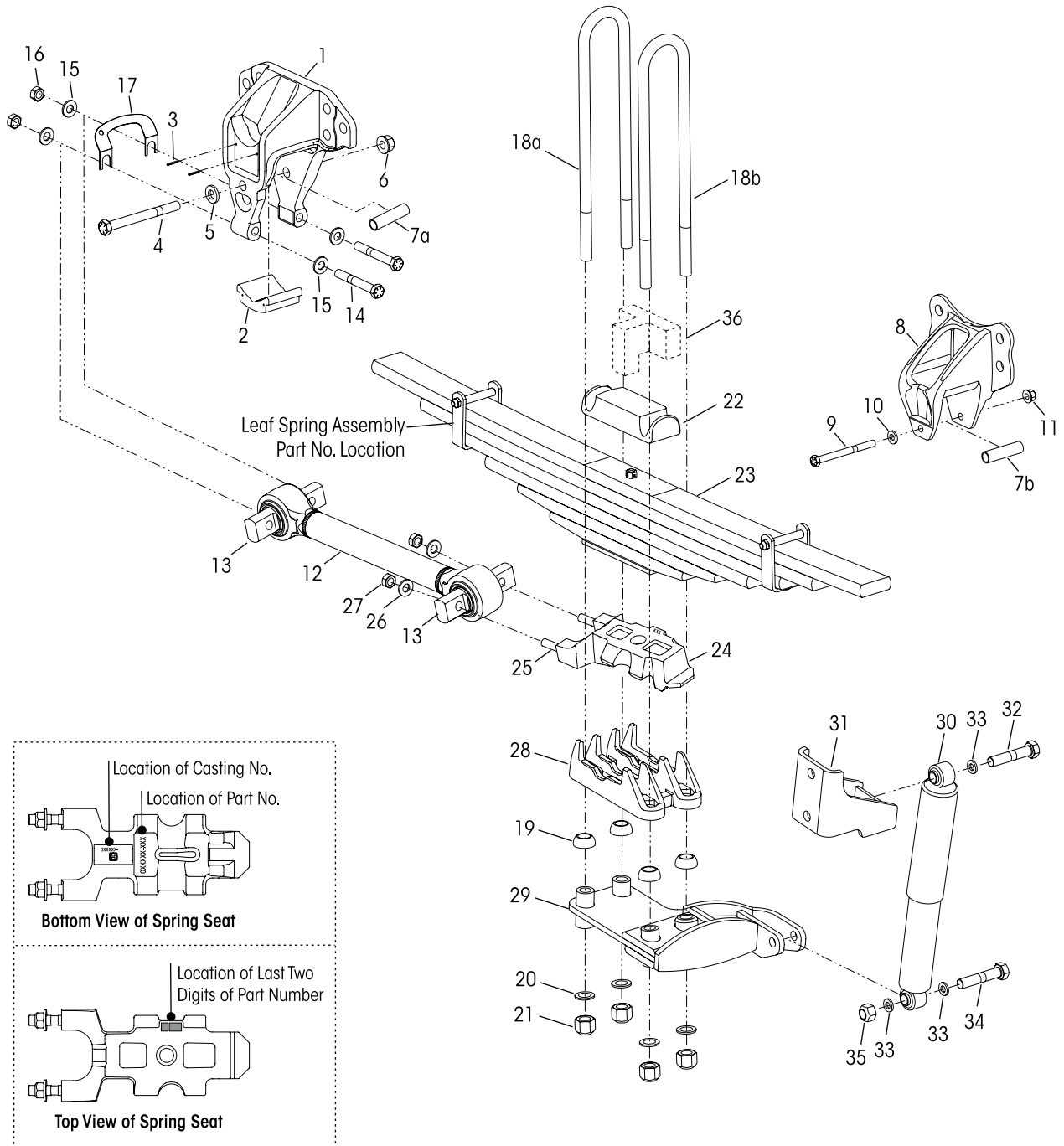




KEY NO.	PART NO.	DESCRIPTION	VEHICLE QTY.	KEY NO.	PART NO.	DESCRIPTION	VEHICLE QTY.
1	58425-001	Front Hanger Assembly, Includes Key Nos. 2-3	2		48718-157	U-bolt Fastener Service Kit, Per Side, Includes Key Nos. 18-20	
	56557-005	Slipper Pad Service Kit, One Hanger, Includes Key Nos. 2-3		18	48574-000	7/8" Spherical Washer	8
2	56929-000	Slipper Pad	2	19	22962-002	7/8" Flat Washer	8
3	58287-001	Retainer Lock Pin	4	20	50765-000	7/8"-14 UNF-2B Nut	8
4	50028-001	Rear Hanger	2	21	48797-000	Top Pad	2
	49175-032	Front and Rear Rebound Roller Service Kit, Axle Set, Includes Key Nos. 5-9		22		Leaf Spring Assembly	2
5	58631-000	Rebound Roller	4		53292-000	HTS 21K	
6	24531-015	1/2"-13 UNC-2B x 5 1/2" Hex Bolt	2		53692-000	HTS 23K Sweeper	
7	24531-014	1/2"-13 UNC-2B x 5" Hex Bolt	2		53693-000	HTS 23K Refuse	
8	22962-014	1/2" Flat Washer	4	23	50970-005	Spring Seat Assembly, 4°, Includes Key Nos. 24-26	2
9	60819-000	1/2"-13 UNC-2B Flange Nut	4	24	50918-000	5/8"-11 UNC Stud	4
10	59946-001	Spacer	4	25	22962-004	5/8" Flat Washer	4
11	62044-505	ULTRA ROD® Longitudinal Torque Rod Assembly, Includes Key No. 12	2	26	47764-000	5/8"-11 UNC Locknut	4
12	47691-000L	ULTRA ROD Torque Rod Bushing	4	27	50216-000	Axle Bottom Cap	2
	49176-007	Longitudinal Torque Rod Fastener Service Kit, Axle Set, Includes Key Nos. 13-15, 24-26		28		Lower Shock Bracket	
	50754-023	Front Hanger Fastener Service Kit, One Hanger, Includes Key Nos. 13-15			67556-003	HTS 21K Left Hand	1
13	32043-005	5/8"-11 UNC x 4 1/2" Hex Bolt	4		67556-004	HTS 21K Right Hand	1
14	22962-004	5/8" Flat Washer	8		67556-005	HTS 23K Left Hand	1
15	47764-000	5/8"-11 UNC Locknut	4		67556-006	HTS 23K Right Hand	1
16	49689-000	Torque Rod Shim	As Req.	29	60665-025L	Shock Absorber	2
17		7/8"-14 UNF- 2A U-bolt		30	67530-000	Upper Shock Bracket	2
a	47417-010	19" Front	2		69588-004	Upper and Lower Shock Absorber Fastener Service Kit, Axle Set, Includes Key Nos. 31-33	
b	47417-014	22 1/2" Rear	2	31	50764-004	3/4"-10 UNC x 3 3/4" Hex Bolt	4
				32	22962-001	3/4" Washer	6
				33	49842-000	3/4"-10 UNC Locknut	2
				34		*Bump Stop	2

NOTE: * Not supplied by Hendrickson, used for reference only. Hendrickson is not responsible for components supplied by the vehicle manufacturer. For assistance with maintenance and rebuild instructions on these components see vehicle manufacturer.

■ 26K

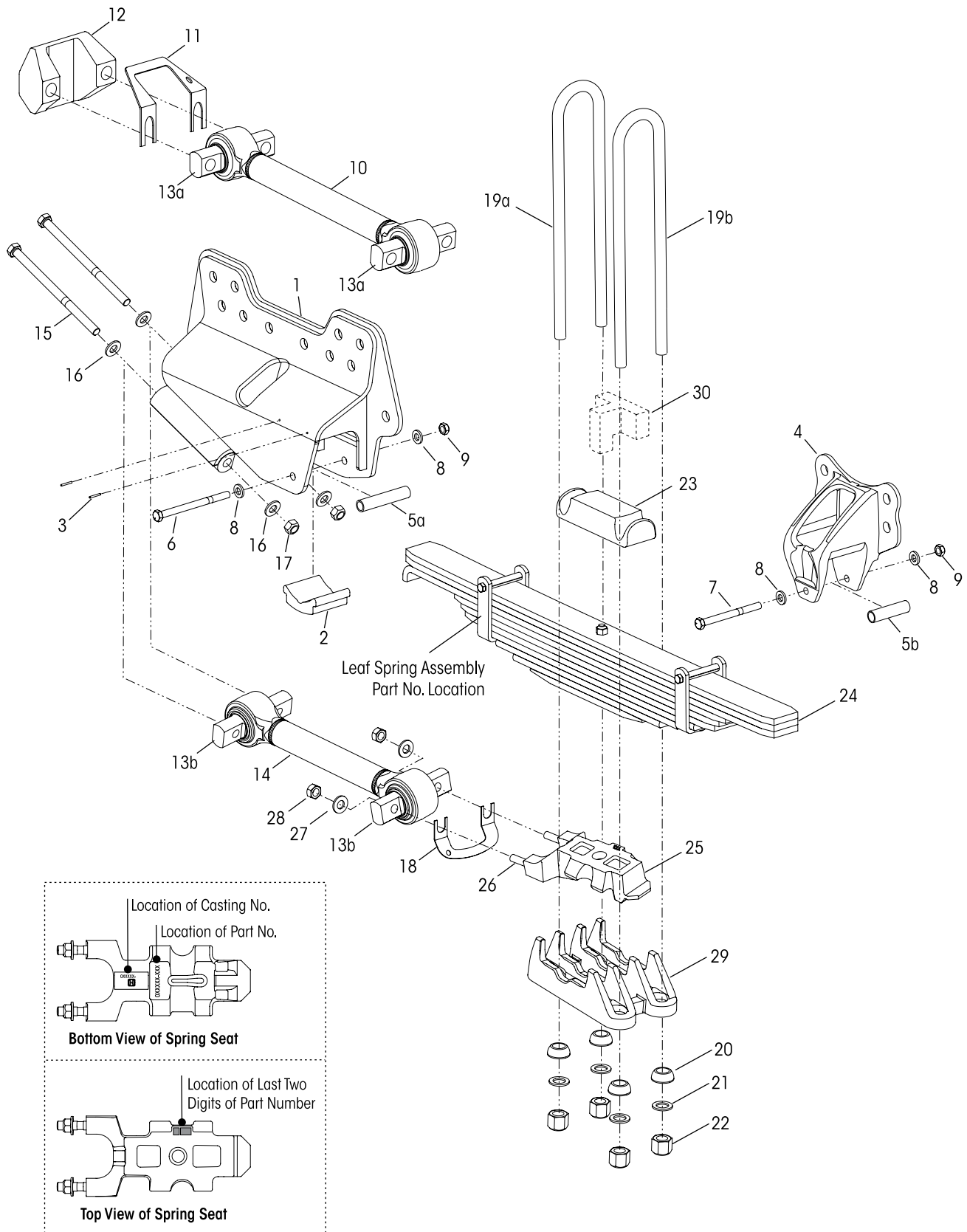




KEY NO.	PART NO.	DESCRIPTION	VEHICLE QTY.	KEY NO.	PART NO.	DESCRIPTION	VEHICLE QTY.
1	58425-008	Front Hanger Assembly, Includes Key Nos. 2-3	2		48718-157	U-bolt Fastener Service Kit, Per Side, Includes Key Nos. 19-21	
	56557-005	Slipper Pad Service Kit, One Hanger Includes Key Nos. 2-3		19	48574-000	7/8" Spherical Washer	8
2	56929-000	Slipper Pad	2	20	22962-002	7/8" Flat Washer	8
3	58287-001	Retainer Lock Pin	4	21	50765-000	7/8"-14 UNF-2B Nut	8
		Rebound Roller Service Kits, Axle Set,		22	56805-002	Top Pad	2
a	49175-037	Front Hanger, Includes Key Nos. 4-6, 7a		23	53793-000	Leaf Spring Assembly	2
b	49175-038	Rear Hanger, Includes Key Nos. 7b, 9-11		24		Spring Seat Assembly, Includes Key Nos. 25-27	2
4	58917-008	3/4"-10 UNC x 6" Hex Bolt	2		50988-026	Left Hand 5°	
5	22962-001	3/4" Flat Washer	2		50988-027	Right Hand 5°	
6	66137-000	3/4"-10 UNC Flange Nut	2	25	50918-000	5/8"-11 UNC Stud	4
7		Rebound Roller		26	22962-004	5/8" Flat Washer	4
a	59598-000	Front Hanger	2	27	47764-000	5/8"-11 UNC Locknut	4
b	58631-000	Rear Hanger	2	28		Axle Bottom Cap	2
8	50028-002	Rear Hanger	2		58424-002	Left Hand	
9	24531-014	1/2"-13 UNC-2B x 5" Hex Bolt	2		58424-001	Right Hand	
10	22962-014	1/2" Flat Washer	2	29		Lower Shock Bracket	
11	60819-000	1/2"-13 UNC-2B Flange Nut	2		78018-001	Left Hand	1
12	92407-500	XTRB Longitudinal Torque Rod Assembly, Includes Key No. 13	2		78018-002	Right Hand	1
13	66649-002L	XTRB Torque Rod Bushing	4	30	60665-025L	Shock Absorber	2
14	32043-005	5/8"-11 UNC x 4 1/2" Hex Bolt	4	31	67530-000	Upper Shock Bracket	2
15	22962-004	5/8" Flat Washer	8		65118-005	Shock Absorber Fastener Service Kit, Axle Set Includes Key Nos. 32-35	
16	47764-000	5/8"-11 UNC Locknut	4	32	50764-004	3/4"-10 UNC x 3 3/4" Hex Bolt	2
17	49689-000	Torque Rod Shim	As Req.	33	22962-001	3/4" Washer	6
18		7/8"-14 UNF- 2A U-bolt		34	50764-010	3/4"-10 UNC x 4 1/4" Hex Bolt	2
a	47417-015	22" Front	2	35	49842-000	3/4"-10 UNC Locknut	2
b	47417-014	22 1/2" Rear	2	36		*Bump Stop	2

NOTE: * Not supplied by Hendrickson, used for reference only. Hendrickson is not responsible for components supplied by the vehicle manufacturer. For assistance with maintenance and rebuild instructions on these components see vehicle manufacturer.

■ 31K





KEY NO.	PART NO.	DESCRIPTION	VEHICLE QTY.	KEY NO.	PART NO.	DESCRIPTION	VEHICLE QTY.
1		Front Hanger Assembly, Includes Key Nos. 2-3		15	32043-013	5/8"-11 UNC x 10" Hex Bolt	4
	70628-001	Left Hand	1	16	22962-004	5/8" Flat Washer	8
	70628-002	Right Hand	1	17	47764-000	5/8"-11 UNC Locknut	4
	56557-005	Slipper Pad Service Kit, One Hanger, Includes Key Nos. 2-3		18	49689-000	Lower Torque Rod Shim	As Req.
2	56929-000	Slipper Pad	2	19		7/8"-14 UNF-2A U-bolt	
3	58287-001	Retainer Lock Pin	4	a	47417-003	17 1/2" Front	2
4	50028-002	Rear Hanger	2	b	47417-010	19" Rear	2
		Rebound Roller Service Kits, Axle Set			48718-157	U-bolt Fastener Service Kit, Per Side Includes Key Nos. 20-22	
	49175-035	Front Hanger, Includes Key Nos. 5a, 6, 8-9		20	48574-000	7/8" Spherical Washer	8
	49175-036	Rear Hanger, Includes Key Nos. 5b, 7-9		21	22962-002	7/8" Flat Washer	8
5		Rebound Roller		22	50765-000	7/8"-14 UNF-2B Nut	8
a	77852-001	Front Hanger	2	23	56805-002	Top Pad	2
b	57988-000	Rear Hanger	2	24	53134-000	Leaf Spring Assembly	2
6	24531-005	1/2"-13 UNC-2B x 6 1/2" Hex Bolt	2	25		Spring Seat Assembly, Includes Key Nos. 26-28	2
7	24531-015	1/2"-13 UNC-2B x 5 1/2" Hex Bolt	2		50988-025	Left Hand 6°	
8	22962-014	1/2" Flat Washer	8		50988-024	Right Hand 6°	
9	49846-000	1/2"-13 UNC-2B Flange Nut	4	26	50918-000	5/8"-11 UNC Stud	4
10	72100-535	Upper Torque Rod Assembly, ULTRA ROD® PLUS™ Includes Key No. 13a	1	27	22962-004	5/8" Flat Washer	4
11	67779-002	Upper Torque Rod Shim	As Req.	28	47764-000	5/8"-11 UNC Locknut	4
12	46015-000	Upper Torque Rod Bracket	1	29		Axle Bottom Cap	
13		Torque Rod Bushing - Straddle			58424-004	Left Hand	1
a	64400-003L	ULTRA ROD PLUS	2		58424-000	Right Hand	1
b	66649-002L	XTRB	4	30		*Bump Stop	2
14	92446-430	Lower Torque Rod Assembly, XTRB, Includes Key No. 13b	2				

NOTE: * Not supplied by Hendrickson, used for reference only. Hendrickson is not responsible for components supplied by the vehicle manufacturer. For assistance with maintenance and rebuild instructions on these components see vehicle manufacturer.

■ Special Tools

TORQUE ROD BUSHING FUNNEL TOOL



Hendrickson Part No. 66086-001L
ULTRA ROD

Hendrickson Part No. 66086-000L
ULTRA ROD Plus

This is a general parts list to provide directional information. Components may vary by model. Questions in regards to parts, contact Hendrickson Truck Parts at 1.866.755.5968 (Toll-free U.S. and Canada), 630.910.2800 (Outside U.S. and Canada) or e-mail: truckparts@hendrickson-intl.com.

Actual product performance may vary depending upon vehicle configuration, operation, service and other factors.

All applications must comply with applicable Hendrickson specifications and must be approved by the respective vehicle manufacturer with the vehicle in its original, as-built configuration. Contact Hendrickson for additional details regarding specifications, applications, capacities, and operation, service and maintenance instructions.

*Call Hendrickson at **1.866.755.5968** (toll-free) or **1.630.910.2800** for additional information.*



www.hendrickson-intl.com

TRUCK COMMERCIAL VEHICLE SYSTEMS
800 South Frontage Road
Woodridge, IL 60517-4904 USA
1.866.755.5968 (Toll-free U.S. and Canada)
1.630.910.2800 (Outside U.S. and Canada)
Fax 1.630.910.2899

SP-228 Rev C 08-16

© 2011–2016 Hendrickson USA, L.L.C. All Rights Reserved. All trademarks shown are owned by Hendrickson USA, L.L.C., or one of the affiliates, in one or more countries.

Information contained in this literature was accurate at the time of publication. Product changes may have been made after the copyright date that are not reflected.

Printed in United States of America