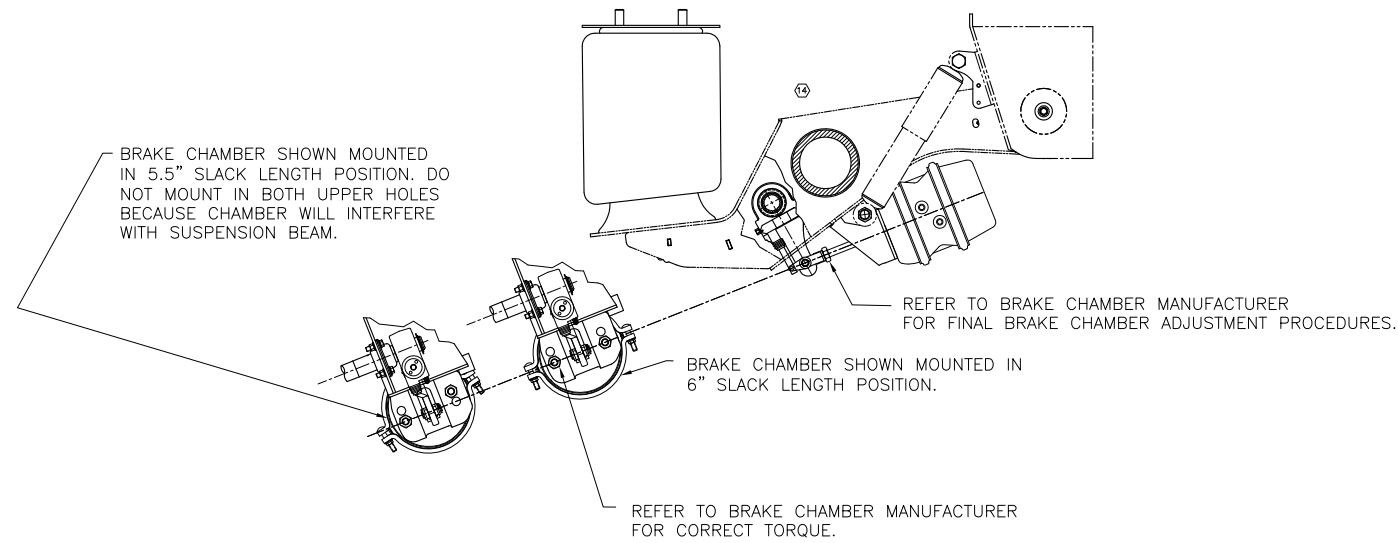


BRAKE CHAMBER INSTALLATION

AIR CONNECTION: 3/8-18 NPTF

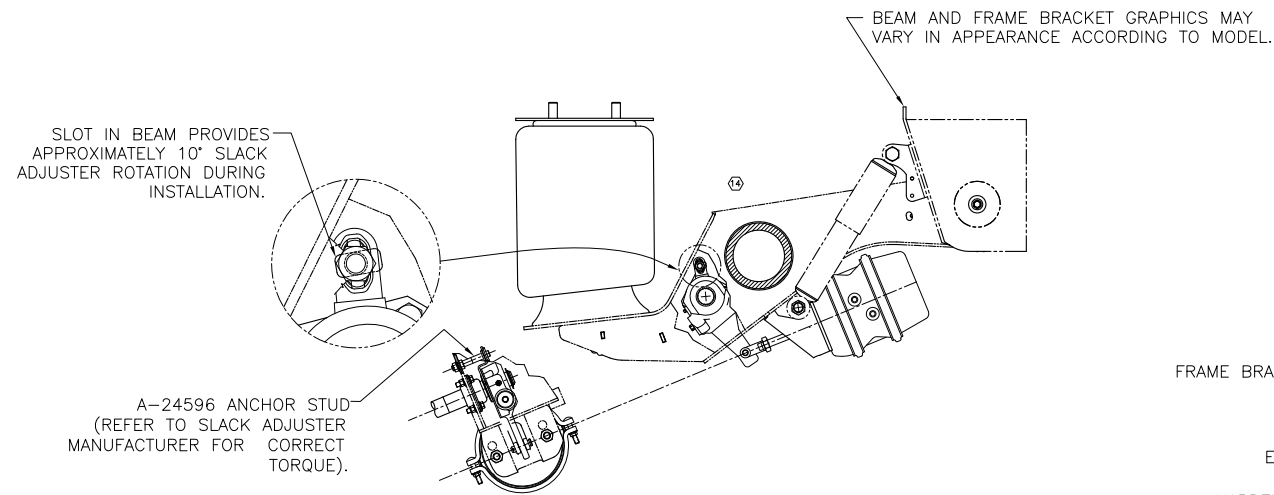


SLACK ADJUSTER INSTALLATION

REFER TO SLACK ADJUSTER MANUFACTURER FOR INSTALLATION AND FINAL ADJUSTMENT FOR ALL SLACK ADJUSTERS THAT ARE NOT INSTALLED BY HENDRICKSON.

HALDEX SLACK ADJUSTER INSTALLATION

REFER TO SLACK ADJUSTER MANUFACTURER FOR INSTALLATION AND FINAL ADJUSTMENT FOR ALL SLACK ADJUSTERS THAT ARE NOT INSTALLED BY HENDRICKSON.

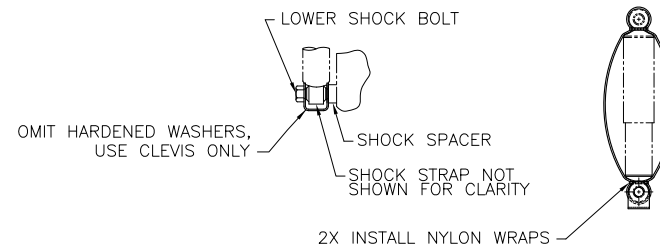
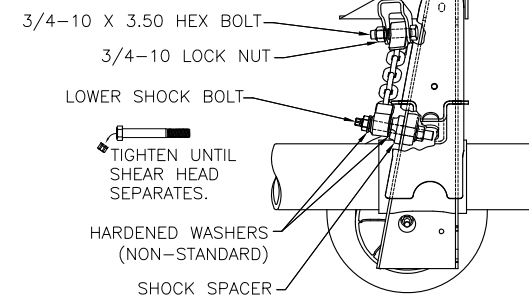


BRAKE CHAMBER ROD LENGTH		
MODEL	A	B
AANT, AAT, HKANT & HKAT	9.8	11.1
AANL, AANLS, AAL, AAEDL, AAEDT, HKANL, HKAL, & HKARL	5.6	7.0

VIEW AA
SCALE: 1:66=1:000

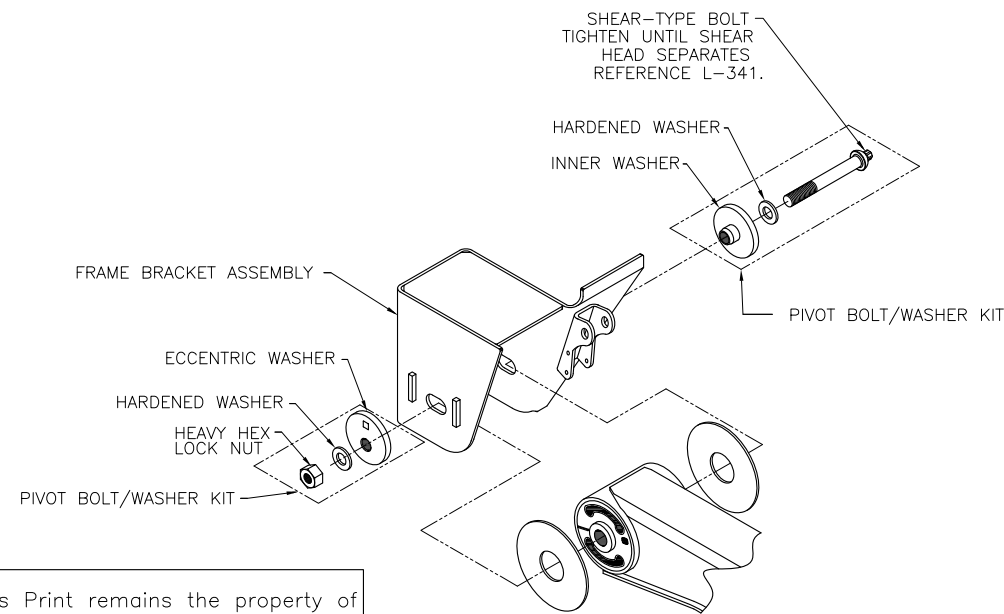
DOWN STOP INSTALLATION

DOWN STOP UTILIZES SAME HARDWARE AS SHOCK ABSORBER



OPTIONAL SHOCK STRAP INSTALLATION

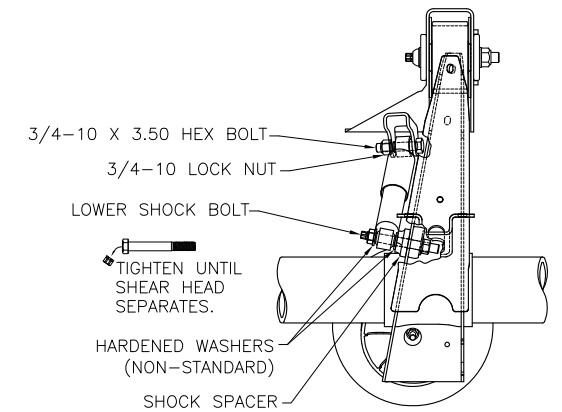
PIVOT BOLT INSTALLATION



This Print remains the property of Hendrickson. All information contained thereon is confidential. It is loaned, subject to return on demand and on express condition that it is not to be copied or used directly or indirectly for any purpose other than the purpose for which it has been loaned to you.

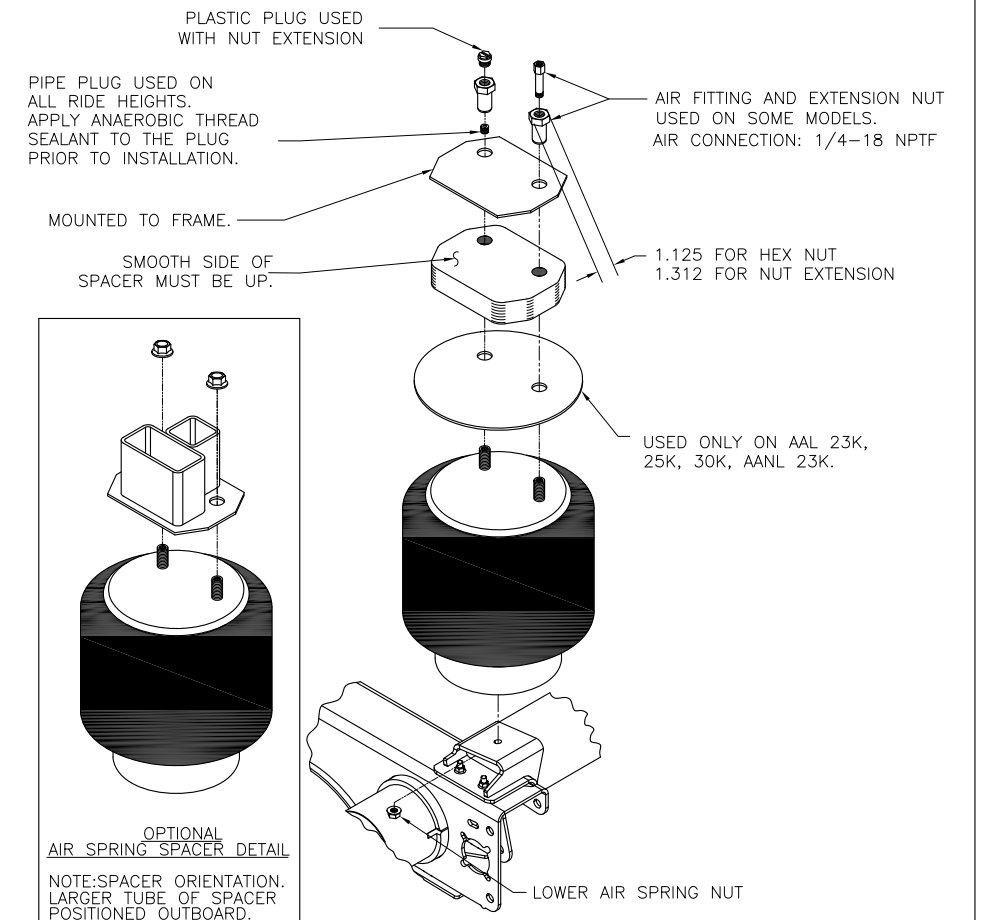
TORQUE SPECIFICATIONS

DESCRIPTION	SIZE	TORQUE (FT-LB)
AIR SPRING NUTS, UPPER	3/4-16	80-100
AIR SPRING NUT, LOWER	1/2-13	25-35
AIR SPRING NUT, LOWER (HKA & AAZ ONLY)	1/2-13	55-60
SHOCK BOLTS, UPPER	3/4-16	210-235



O.E.M. INSTALLED SHOCK BOLT KIT

AIR SPRING MOUNTING KIT (WITH SPACER)



OPTIONAL AIR SPRING SPACER DETAIL
NOTE: SPACER ORIENTATION, LARGER TUBE OF SPACER POSITIONED OUTBOARD.



TRAILER COMMERCIAL VEHICLE SYSTEMS
2070 INDUSTRIAL PLACE S.E., CANTON, OH 44707-2800 U.S.A.

UNLESS OTHERWISE NOTED: TOLERANCES ARE: X: ± .1 XX: ± .06 XXX: ± .030 ANGULAR: ± 0.5°	14 22070 DLD 7-12-13 13 21735 JDA 11-16-12 12 20371 JEW 1-6-12 11 19912 JEW 06-24-11	7-12-13 11-16-12 1-6-12 06-24-11	DRAWN BY: R.A.C. CHK'D BY: 7-22-99 DAUGHERTY APP'D BY: N.MYERS	04-30-99
--	---	---	--	----------

COMMON COMPONENT INSTALLATIONS

SCALE: .125=1.000	SIZE: D	PAGE: 1 OF 1
DRAWING NO. D-25266		