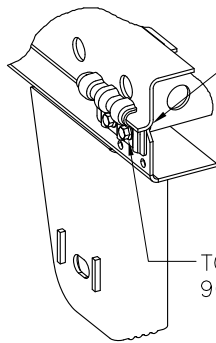


TORQUE HANDLE BOLTS TO 25-30 FT LB

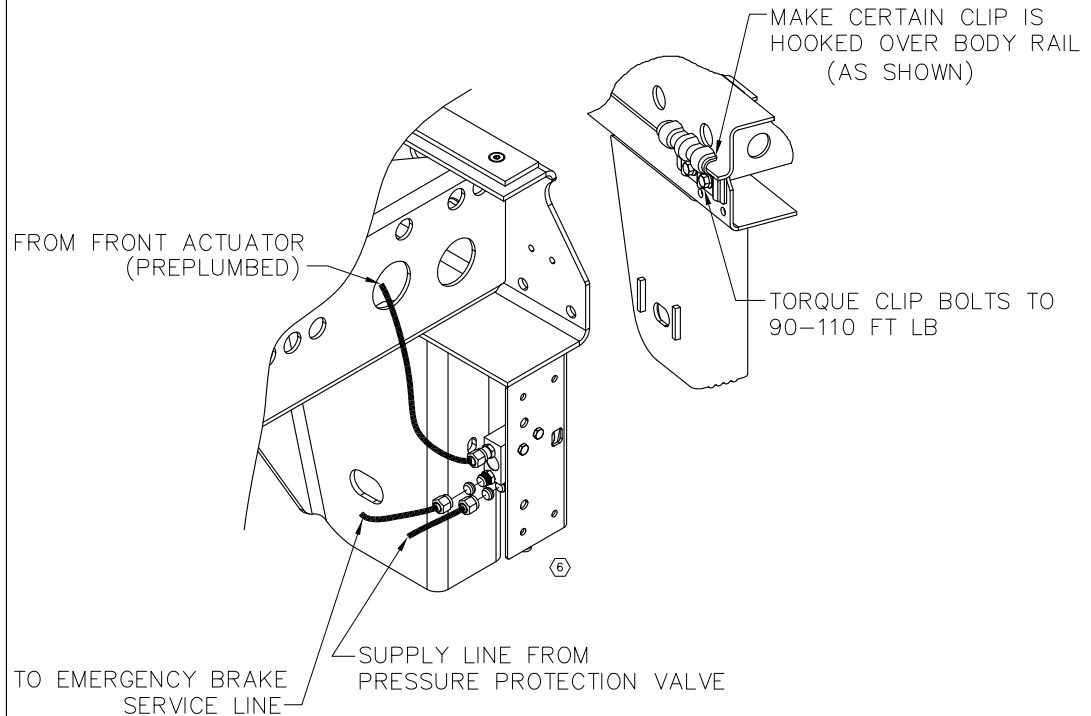


MAKE CERTAIN CLIP IS HOOKED OVER BODY RAIL (AS SHOWN)

TORQUE CLIP BOLTS TO 90-110 FT LB

MANUAL BOX

This Print remains the property of Hendrickson. All information contained thereon is confidential. It is loaned, subject to return on demand and on express condition that it is not to be copied or used directly or indirectly for any purpose other than the purpose for which it has been loaned to you.



QUIK-DRAW®



TRAILER SUSPENSION SYSTEMS
2070 INDUSTRIAL PLACE S.E., CANTON, OH 44707-2600 U.S.A.

UNLESS OTHERWISE NOTED:	
TOLERANCES ARE:	DIMENSIONS ARE:
.X: ± .1	INCHES
.XX: ± .06	
.XXX: ± .030	
ANGULAR: ± 0.5°	
3RD ANGLE PROJECTION	
DIMENSIONS ADHERE TO ANSI Y14.5M-1982	

6	20054	CDR	9/1/11
5	18450	CLA	10-28-09
4	10480	KJG	2-21-01
3	10384	CLA	1-3-01
REV.	ECN NO.	BY	DATE

DRAWN BY	K.GALIGHER
CHK'D BY	12/3/99 G. SHENKLE
APP'D BY:	R.McCLELLAND

DATE 5-10-00

THIS DRAWING IS THE CONFIDENTIAL PROPERTY OF HENDRICKSON

AFTERMARKET SLIDER BOX
INSTALLATION

SCALE	PAGE
.125=1.000	1 OF 1
(SIZE)	DRAWING No.

B-25566