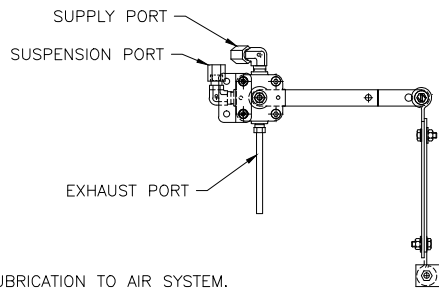
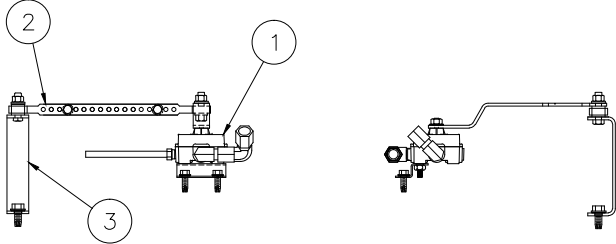


This Print remains the property of Hendrickson. All information contained thereon is confidential. It is loaned, subject to return on demand and on express condition that it is not to be copied or used directly or indirectly for any purpose other than the purpose for which it has been loaned to you.



NOTES:

- DO NOT ADD LUBRICATION TO AIR SYSTEM.
- ALL CONNECTIONS MUST BE LEAK PROOF.
- AVOID BENDS IN AIR LINES.
- AIR LINE FITTINGS AND LINES TO BE FURNISHED BY INSTALLER. 3/8" O.D. POLYIMIDE TUBING RECOMMENDED.
- APPLICATION - ALL TRAILERS USING HT250US, HT300US, AND CONNEX CXU SUSPENSION SYSTEM. (15)

- TRIM & BOLT LINKS AS REQ'D TO HOLD HEIGHT CONTROL VALVE IN NEUTRAL POSITION WHEN SUSPENSION IS AT RIDE HEIGHT.
- DO NOT OVER TIGHTEN LINK MOUNTING BOLTS. THE LINK SHOULD PIVOT FREELY ABOUT THE BOLT. THE LINK, WHEN PROPERLY INSTALLED, SHOULD APPEAR VERTICAL WHEN VIEWING IT FROM THE FRONT OF THE SUSPENSION.
- TO MAKE FINE ADJUSTMENTS IN RIDE HEIGHT LOOSEN HCV MOUNTING NUTS AND ROTATE VALVE BODY.
- ALL ITEMS SHIPPED UNASSEMBLED. FITTINGS, NUTS AND BOLTS TO BE PLACED IN A PLASTIC BAG.

OPERATION:

VALVE ARM HORIZONTAL
 FRAME IS AT PRESET HEIGHT
 NO AIR FLOW OCCURRING.

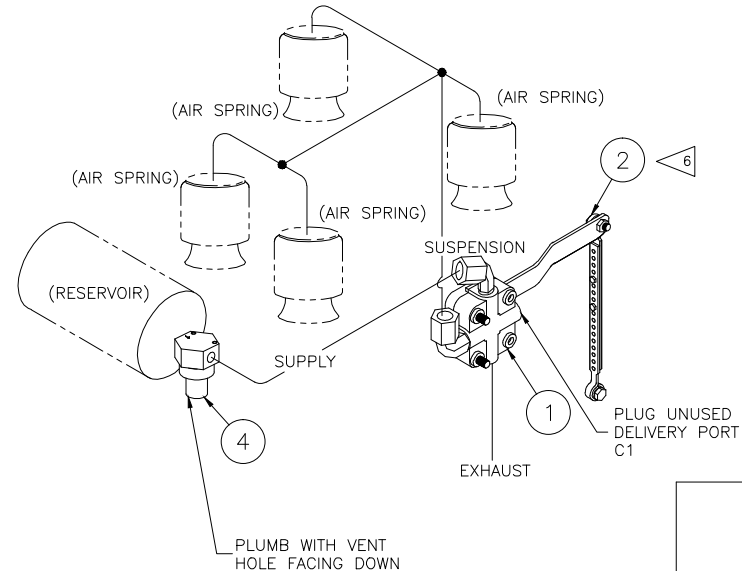
VALVE ARM DOWN
 FRAME IS HIGH, AIR SPRINGS ARE EXHAUSTED UNTIL ARM IS HORIZONTAL.

VALVE ARM UP
 FRAME IS LOW, AIR SPRINGS ARE INFLATED UNTIL ARM IS HORIZONTAL.

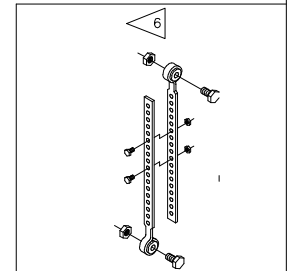
BILL OF MATERIALS

HCV WITHOUT DUMP			AKH-236B-3	AKH-236-3	AKH-236F-3	
ITEM	PART NO.	DESCRIPTION	REVISION	15	15	15
				QTY.	QTY.	QTY.
1	A-28651	HCV - VALVE ONLY		1	1	1
2	A-14187	LINK ASSEMBLY - BOLTED		1	1	1
3	B-22787	HCV BRACKET		1	1	1
4	A-1128	PRESSURE PROTECTION VALVE		-	1	1
(15) *5	DWG C-24644	HT250US\HT300US\CONNEX CXU		1	1	1
*6	L-668	INSTALLATION INSTRUCTIONS		1	1	1
*7	A-34959	HCV SUB-KIT (#8)		1	1	-
*8	A-29873	HCV SUB-KIT (#4)		1	1	-
*9	A-34960	HCV SUB-KIT (#9)		-	-	1
*10	A-34954	HCV SUB-KIT (#7)		-	-	1
* NOT SHOWN			WEIGHT:	1.82	2.12	1.82

(15)



FUNCTION:
 AUTOMATIC HEIGHT CONTROL



P
 PRODUCTION



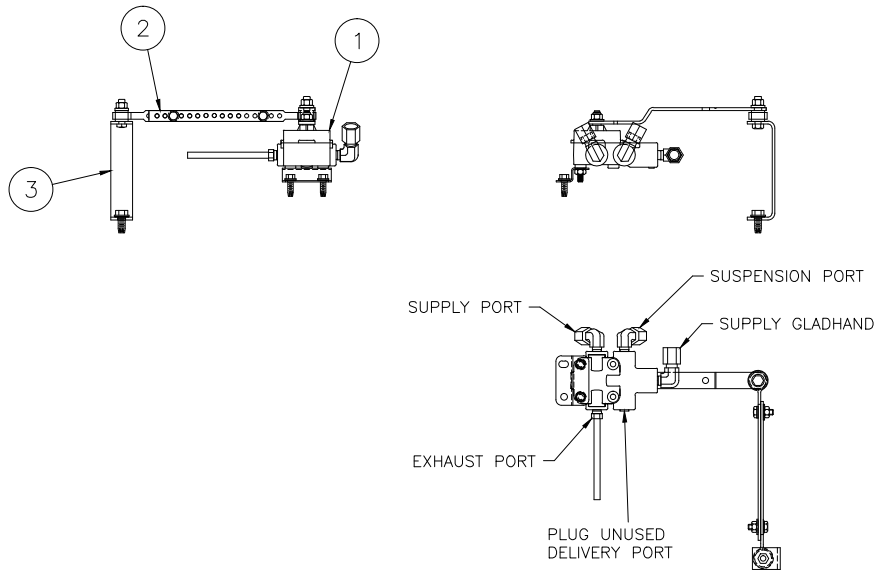
TRAILER COMMERCIAL VEHICLE SYSTEMS
 2070 INDUSTRIAL PLACE S.E., CANTON, OH 44707-2602 U.S.A.

UNLESS OTHERWISE NOTED: TOLERANCES ARE:		15	30295	NRB	7-19-17	DRAWN BY	L. WILSON	DATE	12-4-98
.X: ± .1	DIMENSIONS ARE:		14	24284	DPB	6-2-15	CHK'D BY	THIS DRAWING IS THE CONFIDENTIAL PROPERTY OF HENDRICKSON	
.XX: ± .06	INCHES		13	24088	FJA	3-23-15	2-5-99 G. SHENKLE		
.XXX: ± .030	ANGULAR: ± 0.5°		110	23104	NWD	6-4-14	APP'D BY:	J. CERVANTEZ	
3RD ANGLE PROJECTION		REV.	ECN NO.	BY	DATE				

(15) HIGH FLOW HCV KIT FOR
 HT250US\HT300US\CONNEX CXU

SCALE: .25=1.00
 (REQD)
 PAGE 1 OF 3
 DRAWING NO. C-24644

This Print remains the property of Hendrickson. All information contained thereon is confidential. It is loaned, subject to return on demand and on express condition that it is not to be copied or used directly or indirectly for any purpose other than the purpose for which it has been loaned to you.



NOTES:

1. DO NOT ADD LUBRICATION TO AIR SYSTEM.
2. ALL CONNECTIONS MUST BE LEAK PROOF.
3. AVOID BENDS IN AIR LINES.
4. AIR LINE FITTINGS AND LINES TO BE FURNISHED BY INSTALLER. 3/8" O.D. POLYIMIDE TUBING RECOMMENDED.
5. APPLICATION - ALL TRAILERS USING HT250US, HT300US, AND CONNEX CXU SUSPENSION SYSTEM.
6. TRIM & BOLT LINKS AS REQ'D TO HOLD HEIGHT CONTROL VALVE IN NEUTRAL POSITION WHEN SUSPENSION IS AT RIDE HEIGHT.
7. DO NOT OVER TIGHTEN LINK MOUNTING BOLTS. THE LINK SHOULD PIVOT FREELY ABOUT THE BOLT. THE LINK, WHEN PROPERLY INSTALLED, SHOULD APPEAR VERTICAL WHEN VIEWING IT FROM THE FRONT OF THE SUSPENSION.
8. TO MAKE FINE ADJUSTMENTS IN RIDE HEIGHT LOOSEN HCV MOUNTING NUTS AND ROTATE VALVE BODY.
9. ALL ITEMS SHIPPED UNASSEMBLED. FITTINGS, NUTS AND BOLTS TO BE PLACED IN A PLASTIC BAG.

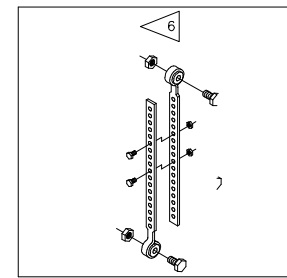
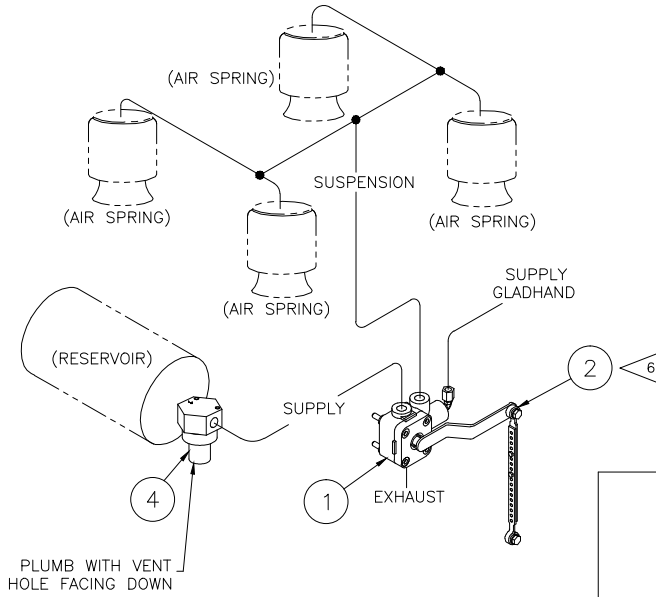
OPERATION:

- VALVE ARM HORIZONTAL
FRAME IS AT PRESET HEIGHT
NO AIR FLOW OCCURRING.
- VALVE ARM DOWN
FRAME IS HIGH, AIR SPRINGS
ARE EXHAUSTED UNTIL ARM
IS HORIZONTAL.
- VALVE ARM UP
FRAME IS LOW, AIR SPRINGS
ARE INFLATED UNTIL ARM
IS HORIZONTAL.

FUNCTION:
AUTOMATIC HEIGHT CONTROL
AUTOMATIC SUSPENSION DUMP

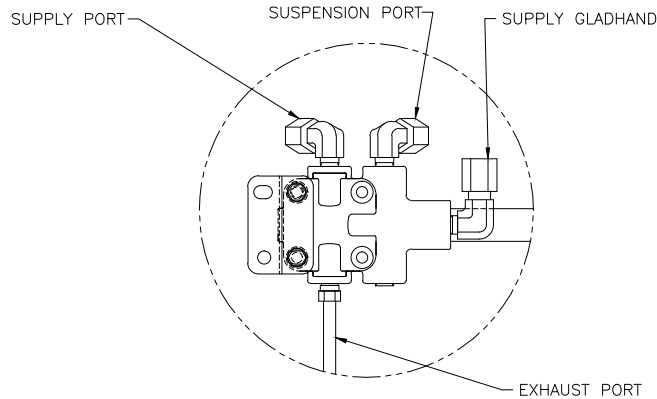
15

BILL OF MATERIALS				
HCV WITH DUMP			AKHD-236-3	AKHD-236F-3
			REVISION	15
ITEM	PART NO.	DESCRIPTION	QTY.	QTY.
1	A-29391	HCV W/DUMP	1	1
2	A-14187	LINK ASSEMBLY - BOLTED	1	1
3	B-22787	HCV BRACKET	1	1
4	A-1128	PRESSURE PROTECTION VALVE	1	1
*5	DWG C-24644	HT250US\HT300US\CONNEX CXU	1	1
*6	L-668	INSTALLATION INSTRUCTIONS	1	1
*7	L-373	CAUTION STICKER	1	1
*8	A-34960	HCV SUB-KIT (#9)	1	1
*9	A-29873	HCV SUB-KIT (#4)	1	-
*10	A-29874	HCV SUB-KIT (#5)	1	-
*11	A-34954	HCV SUB-KIT (#7)	-	1
* NOT SHOWN			WEIGHT:	2.62 2.16

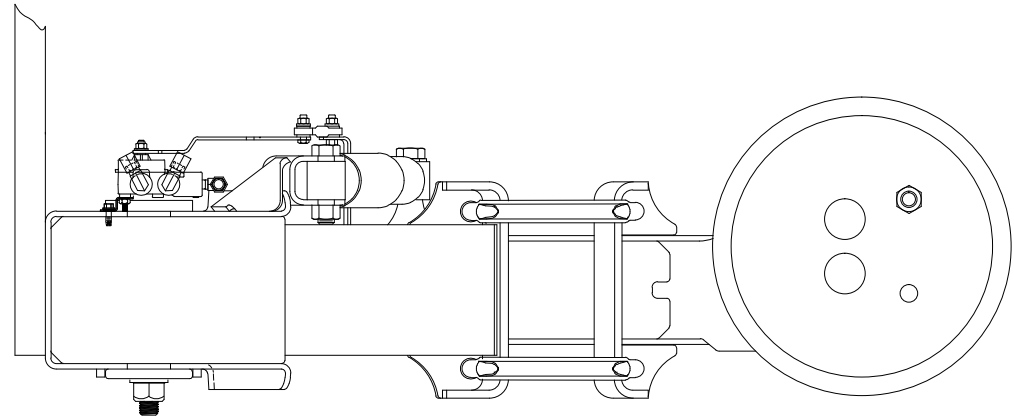


<p>HENDRICKSON</p> <p>TRAILER COMMERCIAL VEHICLE SYSTEMS 2070 INDUSTRIAL PLACE S.E., CANTON, OH 44707-2602 U.S.A.</p>	<p>UNLESS OTHERWISE NOTED: DIMENSIONS ARE IN INCHES</p> <p>.X: ± .1 .XX: ± .06 .XXX: ± .030 ANGULAR: ± 0.5°</p> <p>3RD ANGLE PROJECTION</p> <p>DIMENSIONS ADHERE TO ANSI Y14.5M-1982</p>	<p>15 30295 NRB 7-19-17 DRAWN BY L. WILSON DATE 12-4-98</p> <p>14 24284 DPB 6-2-15 DWG'D BY G. SHENKLE THIS DRAWING IS THE CONFIDENTIAL PROPERTY OF HENDRICKSON</p> <p>13 24088 FJA 3-23-15</p> <p>110 23104 NWD 6-4-14</p> <p>REV. ECN NO. BY DATE</p>	<p>15 HIGH FLOW HCV KIT FOR HT250US\HT300US\CONNEX CXU</p>	<p>SCALE: .25=1.00 (REQD)</p> <p>PAGE 2 OF 3 DRAWING NO. C-24644</p>
	<p>PRODUCTION</p>			

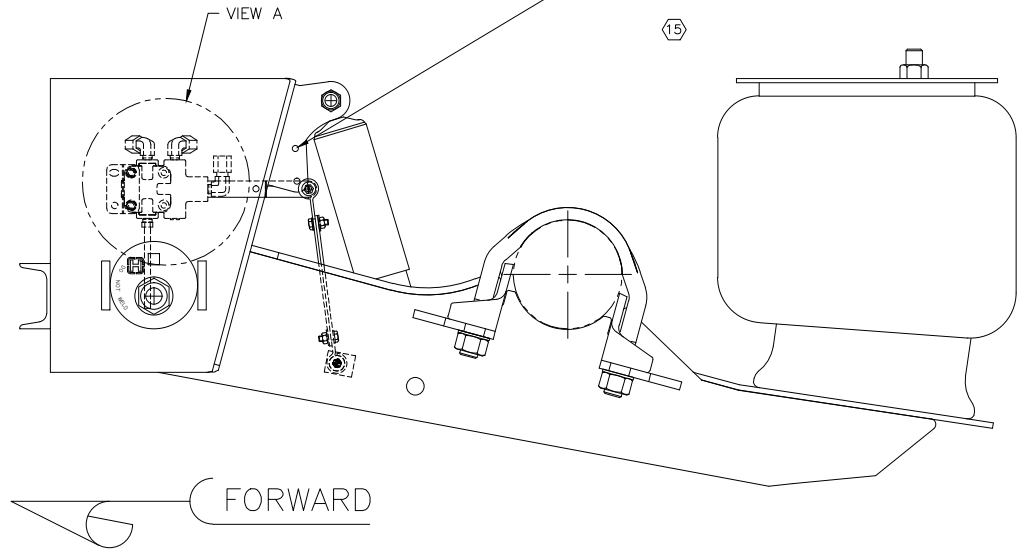
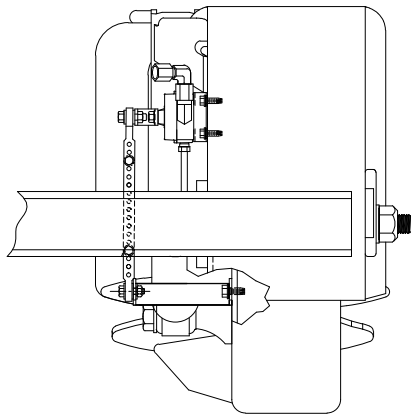
This Print remains the property of Hendrickson. All information contained thereon is confidential. It is loaned, subject to return on demand and on express condition that it is not to be copied or used directly or indirectly for any purpose other than the purpose for which it has been loaned to you.



VIEW A
SCALE: .50=1.00



DO NOT USE HOLE IN SHOCK CLEVIS TO MOUNT HCV. HOLES IN FRAME BRACKET MUST BE USED FOR SYSTEM TO OPERATE PROPERLY



HENDRICKSON

TRAILER COMMERCIAL VEHICLE SYSTEMS
2070 INDUSTRIAL PLACE S.E., CANTON, OH 44707-2602 U.S.A.

UNLESS OTHERWISE NOTED: DIMENSIONS ARE IN INCHES
TOLERANCES ARE:
.X: ± .1
.XX: ± .06
.XXX: ± .030
ANGULAR: ± 0.5°
3RD ANGLE PROJECTION
DIMENSIONS ADHERE TO ANSI Y14.5M-1982

15	30295	NRB	7-19-17	DRAWN BY	L. WILSON	DATE	12-4-98
14	24284	DPB	6-2-15	CHK'D BY	G. SHENKLE	THIS DRAWING IS THE CONFIDENTIAL PROPERTY OF HENDRICKSON	
13	24088	FJA	3-23-15	APP'D BY	J. CERVANTEZ		
110	23104	NWD	6-4-14				
REV.	ECN NO.	BY	DATE				

15 HIGH FLOW HCV KIT FOR
HT250US\HT300US\CONNEX CXU

P
PRODUCTION
SCALE: .25=1.00
(1:20)
PAGE 3 OF 3
DRAWING NO. C-24644