

# **H** PARTS LIST

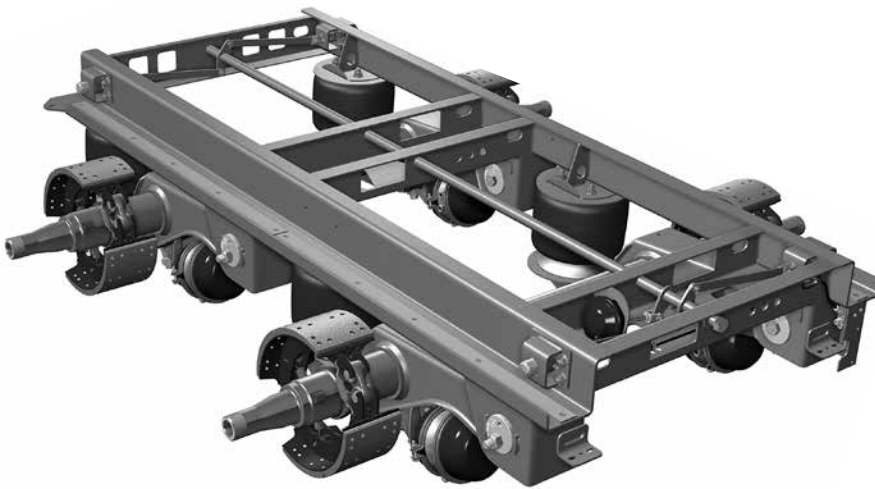
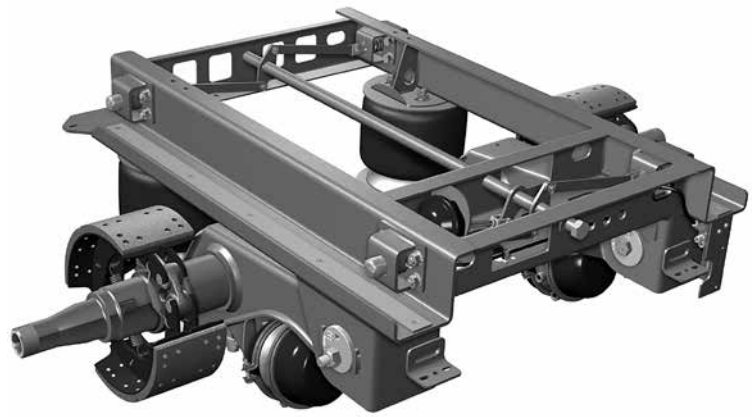
INTRAAX®-SP Platform Slider  
AAZL 23K Single / 46K Tandem

LIT NO: L931

DATE: June 2019

REVISION: D

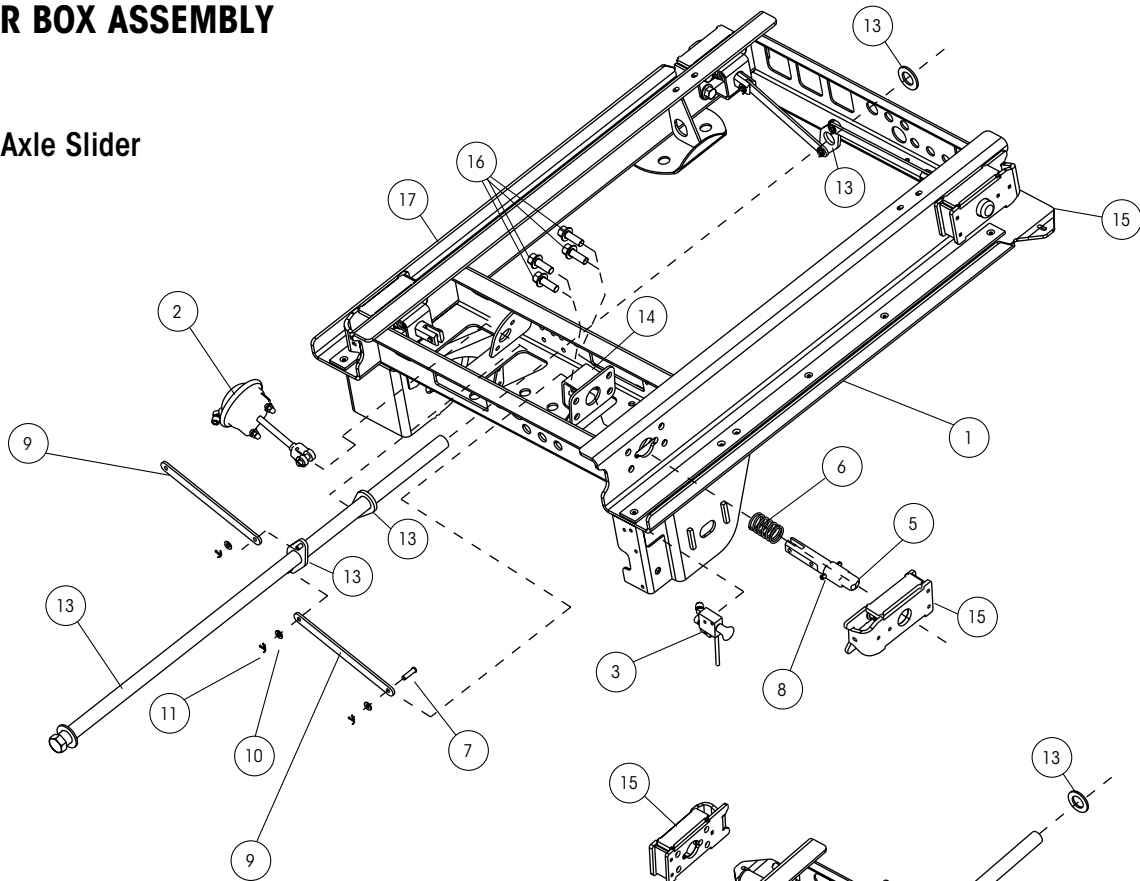
---



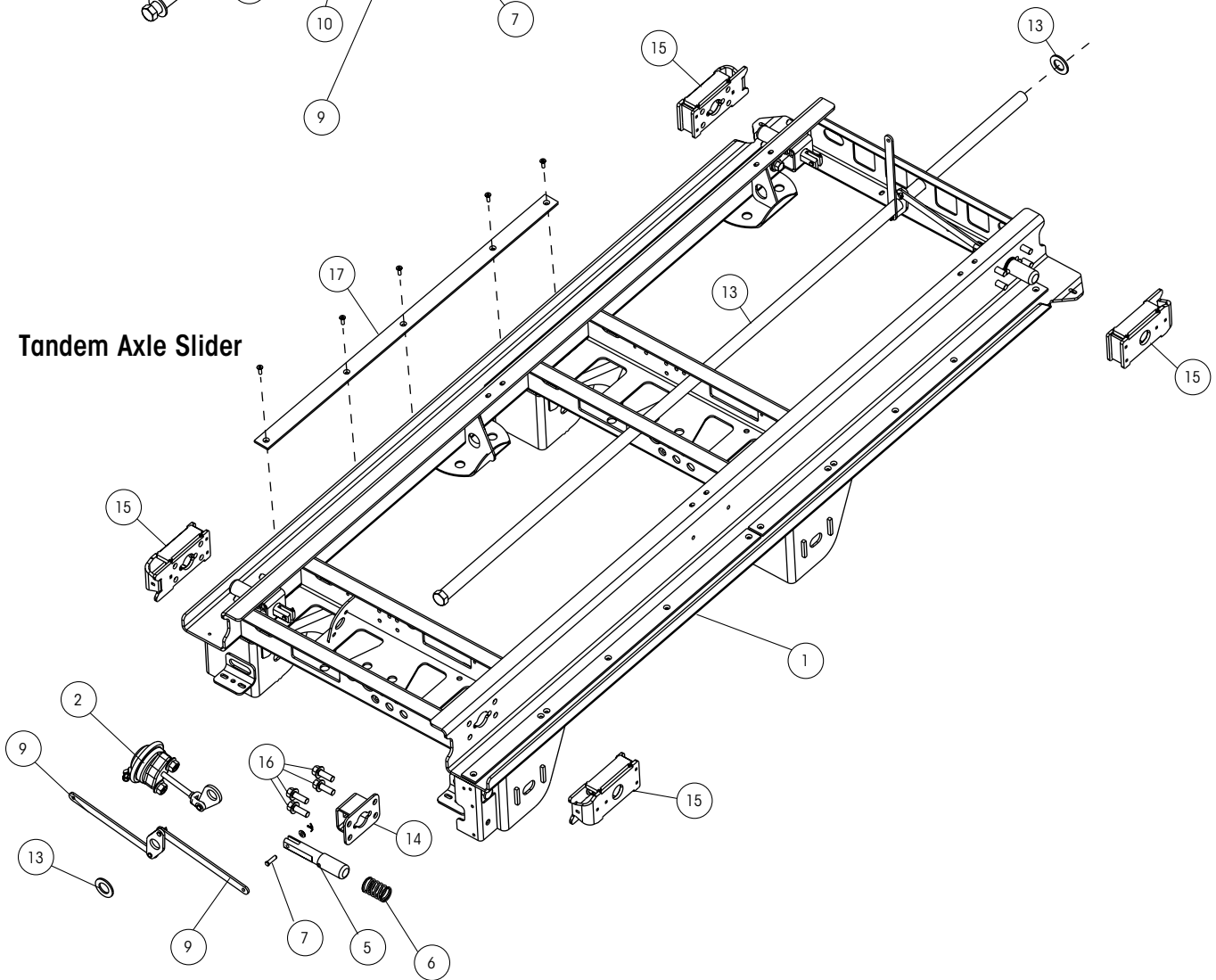


**SLIDER BOX ASSEMBLY**

**Single Axle Slider**



**Tandem Axle Slider**





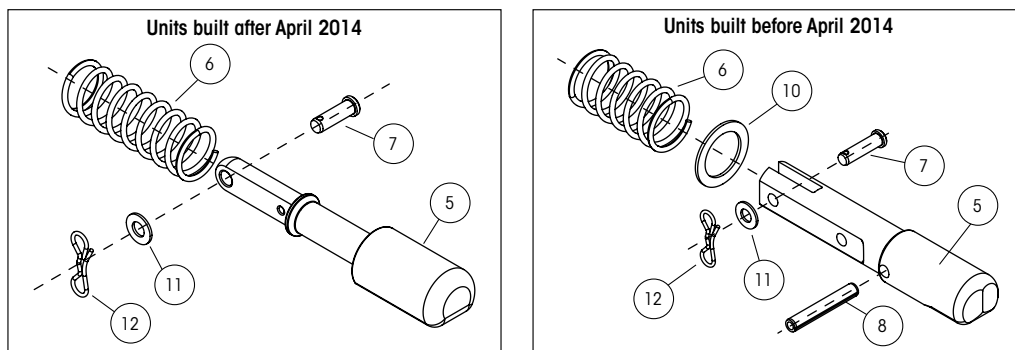
## SLIDER BOX ASSEMBLY

All suspensions are 23K capacity; system capacity for tandem is 46K.  
 I-beam centers are 37" and 38" for 42" box width with 71.5" axle track.  
 I-beam centers are 43" and 44" for 48" box width with 77.5" axle track.  
 Axle spacing or "spread" is measured from center of front axle to center of rear axle.

| ITEM | DESCRIPTION  | PART NO.   | TANDEM SYSTEM QTY. | NOTE  |
|------|--|------------|--------------------|---|
| 1    | <b>AFTERMARKET SLIDER BOX REPLACEMENT</b>              | AMBOX.XX   | 1                  | Please contact Hendrickson for assistance   |
| 2    | <b>BRAKE CHAMBER</b>                                   | A-23039    | 1                  | Type 12 modified  |
| 3    | <b>QUIK-DRAW® VALVE</b>                                |            |                    | See L751 QUIK-DRAW® Parts List  |
| 4    | <b>QUIK-DRAW VALVE KNOB with SCREW SET</b> (Not shown) |            |                    | See L751 QUIK-DRAW Parts List   |
| 5    | <b>LOCKING PIN</b>                                     |            |                    | See L751 QUIK-DRAW Parts List   |
| 6    | <b>LOCKING PIN SPRING</b>                              |            |                    | See L751 QUIK-DRAW Parts List   |
| 7    | <b>CLEVIS PIN</b>                                      |            |                    | See L751 QUIK-DRAW Parts List   |
| 8    | <b>SPRING PIN</b>                                      |            |                    | See L751 QUIK-DRAW Parts List   |
| 9    | <b>LOCKING PIN LINK</b>                                |            |                    | See L751 QUIK-DRAW Parts List   |
| 10   | <b>LOCKING PIN WASHER</b>                              |            |                    | See L751 QUIK-DRAW Parts List   |
| 11   | <b>PIN WASHER</b>                                      |            |                    | See L751 QUIK-DRAW Parts List   |
| 12   | <b>LOCKING PIN LINK COTTER PIN</b>                     |            |                    | See L751 QUIK-DRAW Parts List   |
| 13   | <b>PIPE WELDMENT KIT</b>                               |            |                    | Includes pipe weldment, crank weldment, crank arm actuator and pipe ring stop                   |
|      | Single Axle  | S-28044-1  | 1                  | 51" weldment  |
|      | Tandem, 49" Axle Spread                                | S-28044-2  | 1                  | 99" weldment  |
|      | Tandem, 60" Axle Spread                                | S-28044-3  | 1                  | 111" weldment   |
|      | Tandem, 72" Axle Spread                                | S-28044-4  | 1                  | 123" weldment   |
| 14   | <b>INNER LOCK PIN CAGE ASSEMBLY</b>                    | S-27000    | 4                  |   |
| 15   | <b>OUTER LOCK PIN CAGE REPLACEMENT KITS</b>            |            |                    |   |
|      | No Shims, Per Slider                                   | S-28658-1  | 1                  | Includes (4) pin cages and (16) bolts   |
|      | With Outer Shims, Per Slider                           | S-28658-2  | 1                  | Includes (4) pin cages and (16) bolts   |
|      | No Shims, front  | S-28658-3  | 2                  | Includes (1) curbside and (1) roadside cage and bolts   |
|      | With Outer Shims, Rear                                 | S-28658-4  | 2                  | Includes (1) curbside and (1) roadside cage and bolts   |
| 16   | <b>PIN CAGE BOLT</b> (Bolts are Included in Kits)      | SA-6900-20 | 16                 | Four (4) per cage, (16) per slider  |
| 17   | <b>SLIDER WEAR PAD KIT</b>                             | S-28641    | 1                  | Quantity of (1) needed for single; (2) needed for tandem. Includes (2) 49" pads and (10) screws |
| 18   | <b>STINGER</b> (Not Shown)                             |            |                    |   |

NOTE: Identification tag can be found on the roadside slider box rail above the front frame bracket gusset. There is also a blank INTRAAX® tag on the inside of the curbside beam.

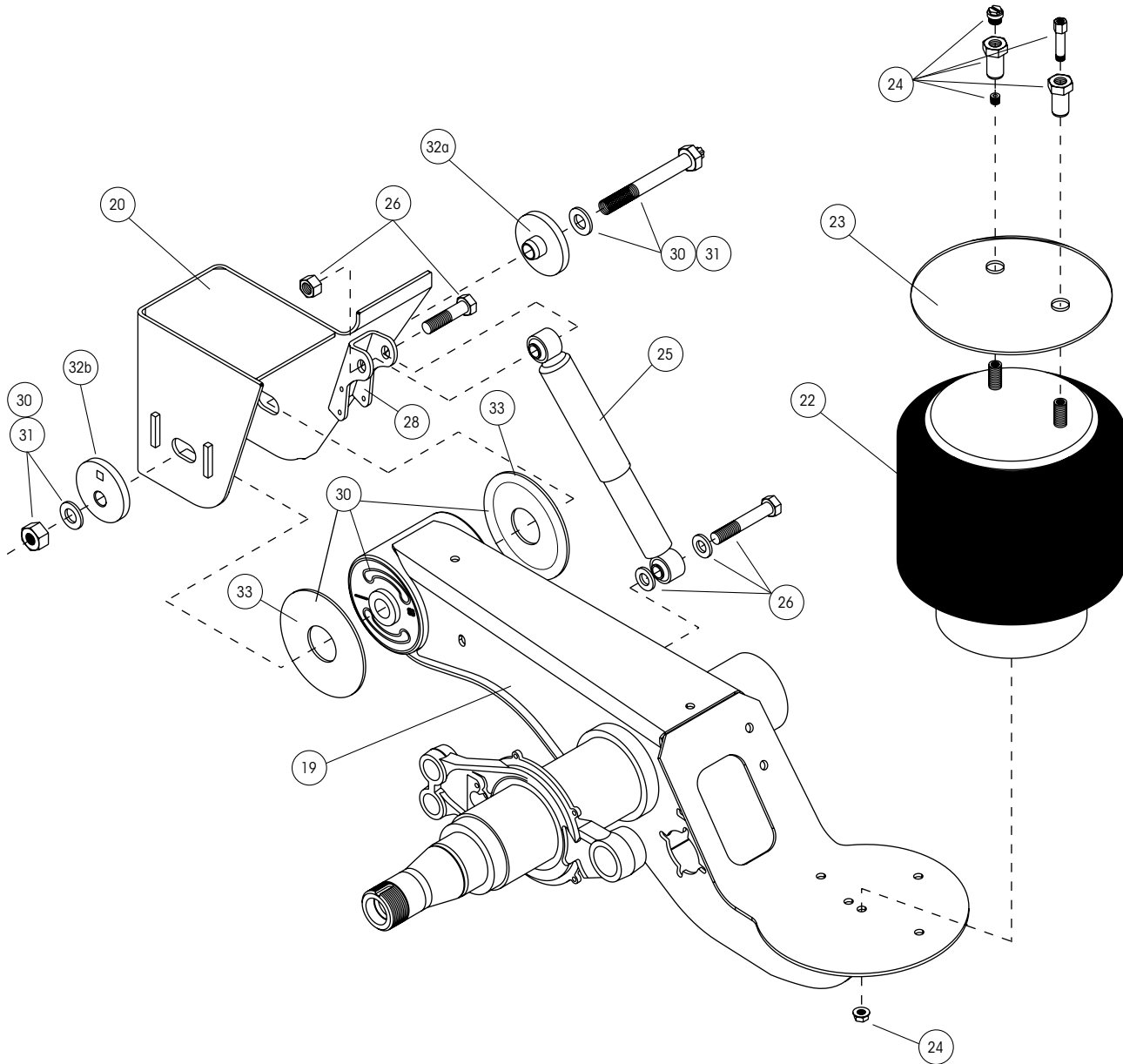
### SLIDER PINS





**LOW-RIDE SUSPENSION ASSEMBLY - AAZL**

**Wide Frame Bracket Assembly, Straight Beam**





**LOW-RIDE SUSPENSION ASSEMBLY — AAZL**

All low-ride suspensions are wide frame bracket and wide beam assemblies.  
 All suspensions are 23K capacity; system capacity for tandem is 46K.  
 Low-ride ride heights are 6.5" - 12".

| ITEM | DESCRIPTION                                      | PART NO.      | QTY. PER    |   | NOTE  |
|------|--|---------------|-------------|---|---|
|      |  |               | AXLE        |   |   |
| 19   | <b>AXLE/BEAM WELDMENT</b>                        | HTRAAX.XXX    |             |   | Contact Hendrickson for assistance  |
| 20   | <b>FRAME BRACKET</b>                             |               |             |   | See L1266 Frame Bracket Parts List  |
| 21   | <b>FRAME BRACKET GUSSET</b> (Not Shown)          | S-27330       | 2           |   | For weld-on, winged or wingless frame attachments; for ride heights of 12" to 17"                 |
| 22   | <b>AIR SPRING</b>                                |               |             |   |   |
|      | Standard   | S-23720       | 2           |   | 6.5" - 7.5" ride height   |
|      |  | S-23613       | 2           |   | 8" - 9" ride height   |
|      |  | S-23614       | 2           |   | 12" ride height   |
|      | Low Pressure                                     | S-23721       | 2           |   | 6.5" - 7.5" ride height   |
|      |  | S-23611       | 2           |   | 8" - 9" ride height   |
|      |  | S-23612       | 2           |   | 12" ride height   |
| 23   | <b>AIR SPRING MOUNTING PLATE</b>                 | S-23294       | 2           |   |   |
| 24   | <b>AIR SPRING MOUNTING KIT</b>                   | S-22619/2     | 2           |   | (1) kit is required per air spring  |
| 25   | <b>SHOCK ABSORBER</b>                            |               |             |   |   |
|      | Standard Travel                                  | S-23651       | 2           |   | 6.5" - 9" ride height   |
|      |  | S-23566       | 2           |   | 12" ride height   |
|      | Extended Service with High Damping               | S-24579       | 2           |   | 6.5" - 9" ride height   |
|      |  | S-24023       | 2           |   | 12" ride height   |
| 26   | <b>FRONT SHOCK ABSORBER BOLT KIT</b> (Per Shock) |               |             |   |   |
|      |  | <b>5-inch</b> | <b>LDA™</b> |   |   |
|      |  | S-24757/2     | S-31080     | 2 | (1) required per shock  |
| 27   | <b>SHOCK SPACER</b> (Not Shown)                  | A-30202-1     | 2           |   | LDA only  |
| 28   | <b>SHOCK MOUNT CLEVIS</b>                        | C-20918       | 2           |   |   |
| 29   | <b>SHOCK STRAP KIT</b> (Not Shown)               |               |             |   | Includes (2) straps, (2) clevis and nylon ties  |
|      | Standard Shock                                   | C-23086-4     | 1           |   | 6.5" - 9" ride height; Use with S-23651 shock   |
|      |  | C-23086-1     | 1           |   | 12" ride height; Use with S-23566 shock   |
|      | Extended Service with High Damping               | C-23086-8     | 1           |   | 6.5" - 9" ride height; Use with S-24579 shock   |
|      |  | C-23086-2     | 1           |   | 12" ride height; Use with S-24023 shock   |
| 30   | <b>TRI-FUNCTIONAL® BUSHING KIT<sup>1</sup></b>   | S-24691       | 2           |   | Includes (1) TRI-FUNCTIONAL bushing, (1) pivot bolt kit, (2) bushing tube spacers and lube packet |

1. Bushing tool, S-21307 is required to properly re-bush the suspension.



| ITEM | DESCRIPTION                             | PART NO. | QTY. PER AXLE | NOTE   |
|------|---|----------|---------------|--|
| 31   | QUIK-ALIGN® PIVOT BOLT KIT <sup>2</sup> | S-24679  | 2             | Includes 10" bolt, hexnut and (2) hardened washers |
| 32   | ALIGNMENT COLLARS                       |          |               |  |
|      | 32a Concentric (Inner)                  | S-20924  | 2             | Alignment hole is centered                         |
|      | 32b Eccentric (Outer)                   | S-20925  | 2             | Alignment hole is off-center                       |
| 33   | BUSHING TUBE SPACER                     | S-21099  | 4             |  |
| 34   | BRAKE KITS COMPONENTS (Not Shown)       |          |               | See L1104  |
| 35   | AXLE COMPONENTS (Not Shown)             |          |               | See L1102  |
| 36   | BRAKE CHAMBER BRACKET (Not Shown)       | S-24697  | 2             |  |

2. Best installed with Hendrickson's E-20 socket S-24536 (1-inch drive sleeveless), S-25119 (1-inch drive with sleeve) or S-24303 (¾-inch drive sleeveless).

## OTHER PARTS LISTS

More information can be found in the following documents

| Lit. Number | Description                                       |
|-------------|---|
| L1102       | Slider Accessories and Axle Components Parts List |
| L949        | RTR® READY-TO-ROLL® Parts List                    |
| L589        | TRI-FUNCTIONAL® Bushing Replacement Tool          |
| L1104       | Brake Kits and Components Parts List              |

## NOTES

---

---

---

---

---

---

---

---

---

---

---

---

---

---

---

---

---

---

---

---

---

---

---

---

*Actual product performance may vary depending upon vehicle configuration, operation, service and other factors. All applications must comply with applicable Hendrickson specifications and must be approved by the respective vehicle manufacturer with the vehicle in its original, as-built configuration. Contact Hendrickson for additional details regarding specifications, applications, capacities, and operation, service and maintenance instructions.*

**Call Hendrickson at 330.489.0045 or 866.RIDEAIR (743.3247) for additional information.**



[www.hendrickson-intl.com](http://www.hendrickson-intl.com)

**TRAILER COMMERCIAL VEHICLE SYSTEMS**  
 2070 Industrial Place SE  
 Canton, OH 44707-2641 USA  
 866.RIDEAIR (743.3247)  
 330.489.0045 • Fax 800.696.4416

**Hendrickson Canada**  
 250 Chrysler Drive, Unit #3  
 Brampton, ON Canada L6S 6B6  
 800.668.5360  
 905.789.1030 • Fax 905.789.1033

**Hendrickson Mexicana**  
 Circuito El Marqués Sur #29  
 Parque Industrial El Marqués  
 Pob. El Colorado, Municipio El Marqués,  
 Querétaro, México C.P. 76246  
 +52 (442) 296.3600 • Fax +52 (442) 296.3601