

H PARTS LIST

STEERTEK NXT High Capacity Steer Axle System for Autocar® ACX-XPEDITOR™ Vehicles

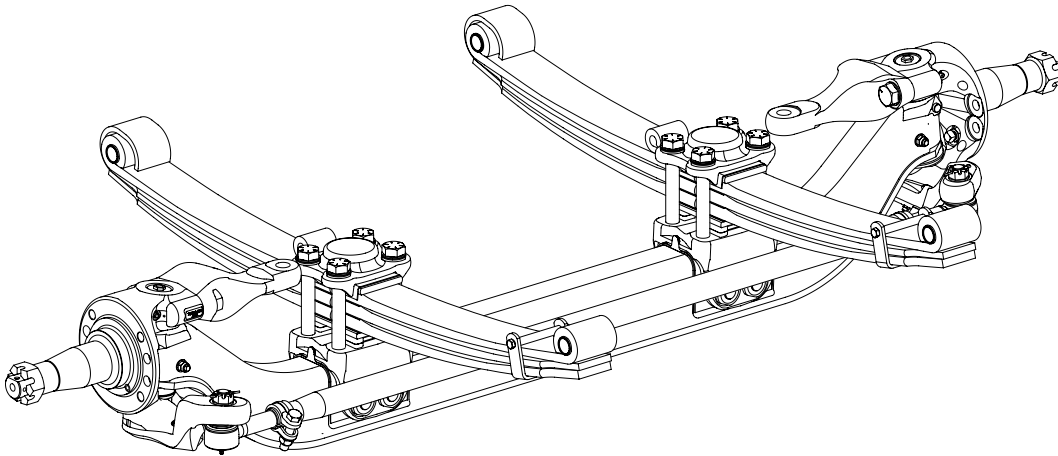
LIT NO: SP-297

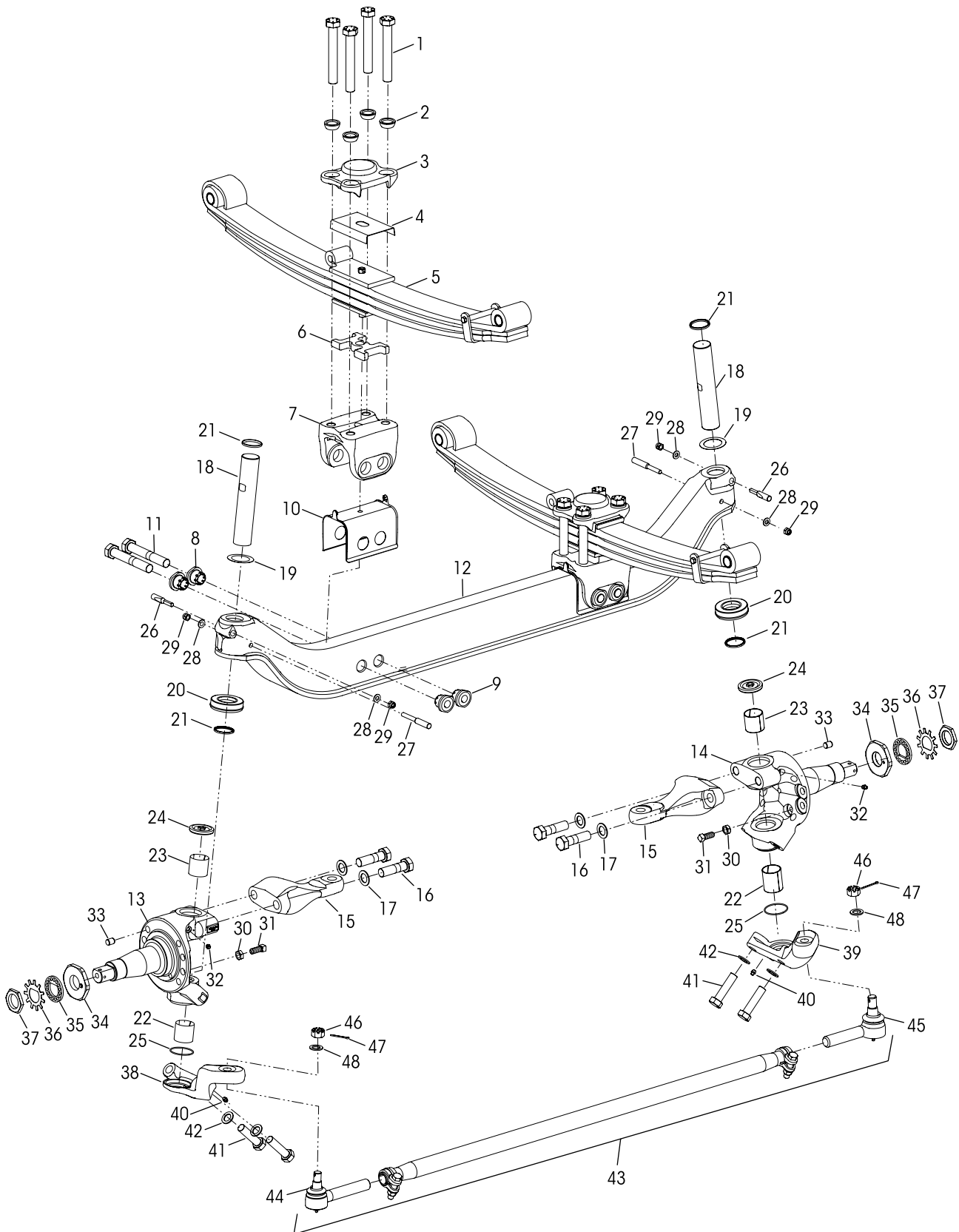
DATE: August 2017

REVISION: A

CONTENTS

DESCRIPTION	PAGE
Parts List	2
Special Tools	4







STEERTEK NXT High Capacity for Autocar® ACX-XPEDITOR™ Vehicles

KEY NO.	PART NO.	DESCRIPTION	VEHICLE QTY.	KEY NO.	PART NO.	DESCRIPTION	VEHICLE QTY.
		Clamp Group Assembly, Includes Key Nos. 1-11				Kingpin Bushing	
	79272-001	Left Hand	1	22	75919-001	Lower - 2½" Length	2
	79272-002	Right Hand	1	23	75919-002	Upper - 2" Length	2
	34013-228	Clamp Group Fasteners Service Kit, One Side Includes Key Nos. 1-2, 4		24	77209-001	Grease Cap	2
1	64107-002	1"-8 UNC x 7" Hex Bolt	8	25	68303-004	O-Ring	2
2	78356-002	1" Spherical Washer	8			Kingpin Draw Key	
3	78888-000	Top Pad with Jounce Stop	2	26	75925-001	Upper - 3¾" Length	2
4	79273-001	Spring Liner	2	27	75925-002	Lower - 4¾" Length	2
5		Leaf Spring Assembly with Bushings		28	22962-054	7/16" Flat Washer	4
	53816-100	Left Hand	1	29	17700-008	7/16"-14 UNC-2B Nut	4
	53816-200	Right Hand	1	30	17491-023	5/8"-11 UNC-2B Jam Nut	2
6	77458-001	Spring Spacer	2	31	80183-000	5/8"-11 UNC x 1 ½" Set Screw	2
7	77232-000	Axle Seat	2	32	33117-000	Grease Zerk	2
	34013-229	Axle Clamp Service Kit, One Side Includes Key Nos. 8-11		33	64246-000	ABS Sensor Sleeve	2
		Axle Clamp		34	79367-000	Spindle Locknut	2
8		*Non Threaded	4	35	79368-000	Spindle Lock Washer	2
9		*Threaded	4	36	79369-000	Spindle Washer	2
10	78887-001	Axle Seat Liner	2	37	79370-000	Spindle Nut	2
11		*1"-8 UNC x 6½" Hex Cap Bolt	4		77244-XXX	Tie Rod Arm Assembly, 9" Wide Wheel, Includes Key No. 40, <i>see Chart below</i>	
	77360-XXX	STEERTEK NXT High Capacity Axle, Includes Key Nos. 12-48, <i>see Chart below</i>	1	38		Left Hand	1
12	77284-006	Axle Assembly	1	39		Right Hand	1
		Knuckle Assembly, Includes Key Nos. 21, 24, 30-33		40	33117-000	Grease Zerk	2
13	77243-001	Left Hand	1	41	30418-007	7/8"-14 UNF x 3½" Hex Bolt	4
14	77243-002	Right Hand	1	42	22962-002	7/8" Flat Washer	4
15	77337-001	Steering Arm	2	43	76879-XXX	Tie Rod Assembly, 14.6K Straight, Includes Key Nos. 44-46, <i>see Chart below</i>	1
16	30550-027	1"-14 UNF x 3½" Hex Bolt	4		60961-735	Tie Rod End Service Kit, Axle Set, Includes Kit Nos. 60961-742 and 60961-743	
17	22962-051	1" Flat Washer	4		60961-742	LH Tie Rod End Service Kit, Includes Key Nos. 44, 47-48	
	34013-230	Kingpin Service Kit, One Side Includes Key Nos. 18-29, 41-42			60961-743	RH Tie Rod End Service Kit, Includes Key Nos. 45, 47-48	
18	75923-001	Kingpin	2			Tie Rod End, Includes Key No. 46	
19		Kingpin Shim (As needed for service)		44	76876-001	Left Hand	1
	77241-002	0.01" Thickness	2	45	76876-002	Right Hand	1
	77241-003	0.02" Thickness	2	46		*7/8" Castle Nut	2
20	75918-001	Thrust Bearing	2	47	17800-004	Cotter Pin	2
21	75966-001	Kingpin Seal	4	48	22962-007	7/8" Flat Washer	2

NOTE: * Item included in kit/assembly only, part not sold separately.

■ Selection Guide

STEERTEK NXT AXLE Part Number	KEY NOS. 38-39		KEY NO. 43
	TIE ROD ARM ASSEMBLY Part Number		STRAIGHT TIE ROD ASSEMBLY Part Number
	Left	Right	
77360-001	77244-001	77244-002	76879-001
77360-002	77244-003	77244-004	76879-002
77360-003	77244-005	77244-006	76879-003
77360-004	77244-007	77244-008	76879-002
77360-005	77244-009	77244-010	76879-003
77360-006	77244-011	77244-012	76879-003



Special Tools

LEAF SPRING BUSHING TOOLS

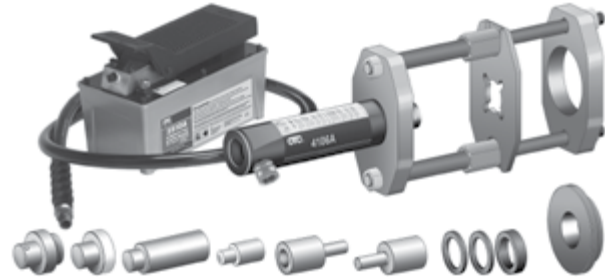
Hendrickson Part No. **66086-300**

OTC Part No. **4274** Visit otctools.com



Hendrickson Part No. **66086-301**

OTC Part No. **4275** Visit otctools.com



KINGPIN BUSHING TOOL

ADJUSTABLE STRAIGHT FLUTE REAMER

The dimension of cutting diameter must facilitate a range of **2.00"-2.01"**



This is a general parts list to provide directional information. Components may vary by model. Questions in regards to parts, contact Hendrickson Truck Parts at 1.866.755.5968 (Toll-free U.S. and Canada), 630.910.2800 (Outside U.S. and Canada) or e-mail: truckparts@hendrickson-intl.com.

www.hendrickson-intl.com



Truck Commercial Vehicle Systems
800 South Frontage Road
Woodridge, IL 60517-4904 USA

1.866.755.5968 (Toll-free U.S. and Canada)
630.910.2800 (Outside U.S. and Canada)
Fax 630.910.2899