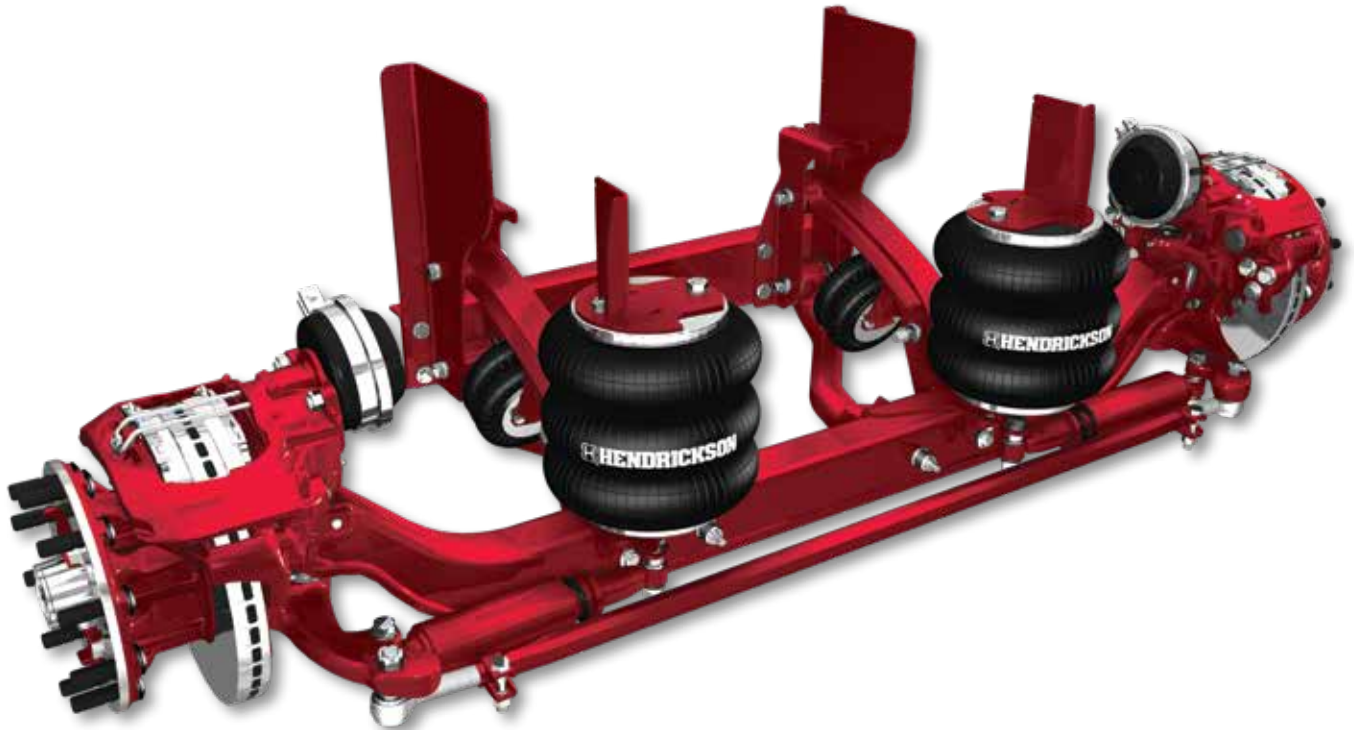


- Extreme structural warranty
- Lighter weight
- More durable



- Available with Drum or Air Disc Brakes: such as Bendix, Meritor and coming soon, Hendrickson MAXX22T™
- Aluminum upper beams help provide a total suspension weight of 835 pounds — a reduction of 13 pounds
- Same package spacing as the prior SC and FX models
- The inset lower beams allow COMPOSILITE® EX to provide maximum clearance for any roll-off market requirements
- Structural warranty\* on all Hendrickson-made components moved from 5- to 7-year coverage

\* Contact Hendrickson for full warranty details and limitations.

To learn more about COMPOSILITE EX,  
call 800.660.2829 or visit  
[www.hendrickson-intl.com](http://www.hendrickson-intl.com)

**H** **HENDRICKSON**  
*The World Rides On Us®*

# COMPOSILITE® EX TRUCK Features and Benefits

## EST Truck Steer 13.5K

### Inset Lower Beams

- Optimized lateral stiffness
- Eliminates the need for V-rod

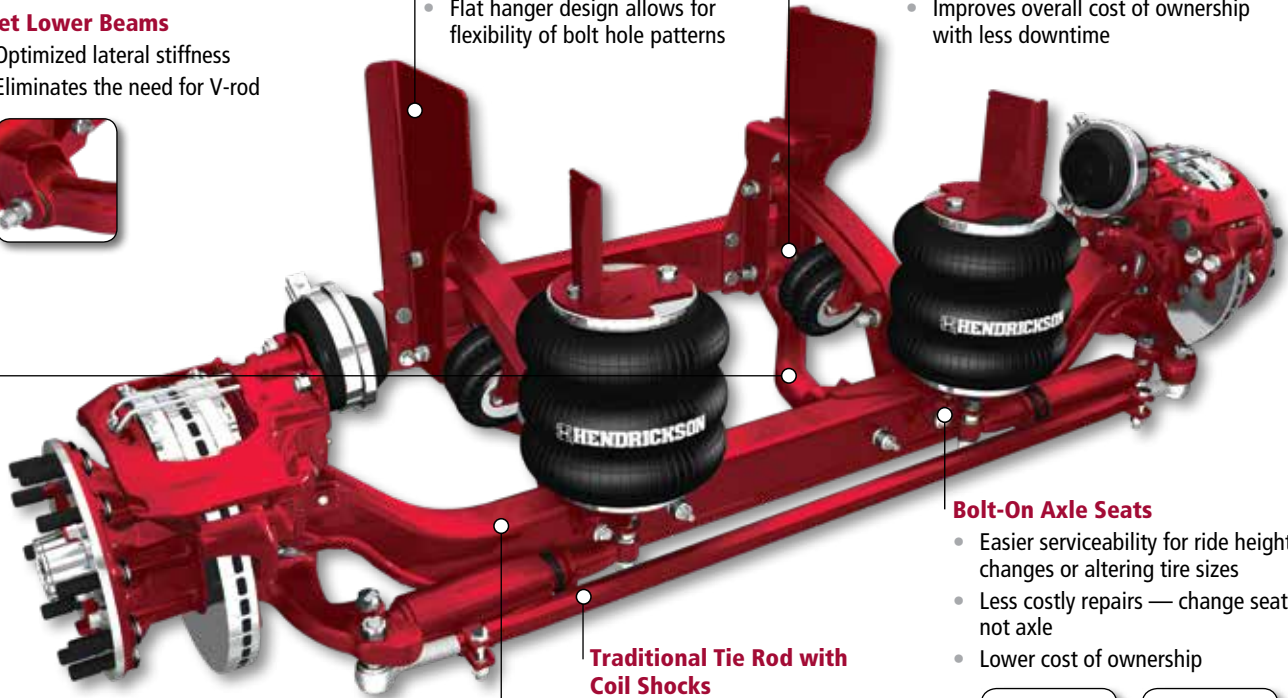


### Weld-Free Hanger Design

- No welding on front side of rail hangers minimizes stress risers
- Flat hanger design allows for flexibility of bolt hole patterns

### Zero-Torsion Rubber Bushings

- Provides increased durability and bushing life
- Improves overall cost of ownership with less downtime



### Bolt-On Axle Seats

- Easier serviceability for ride height changes or altering tire sizes
- Less costly repairs — change seats, not axle
- Lower cost of ownership



### Traditional Tie Rod with Coil Shocks

- CTR Compliant Tie Rod option is recommended for tag applications

### Patented STEERTEK Axle Technology

- Proven design on front steer applications
- Weld-free axle connection
- Increased structural durability and warranty coverage



## EFT Truck Non-Steer 13.5K



- Same inset beams, zero-torsion rubber bushings and durability improvements as the COMPOSILITE EX steerable model

Call Hendrickson at **800.660.2829** or **800.668.5360** in Canada for additional information.



**SPECIALTY PRODUCTS -  
AUXILIARY AXLE SYSTEMS**  
277 North High Street  
Hebron, OH 43025 USA  
800.660.2829  
740.929.5600 • Fax 740.929.5601

**Hendrickson Canada**  
250 Chrysler Drive, Unit #3  
Brampton, ON Canada L6S 6B6  
800.668.5360  
905.789.1030 • Fax 905.789.1033