

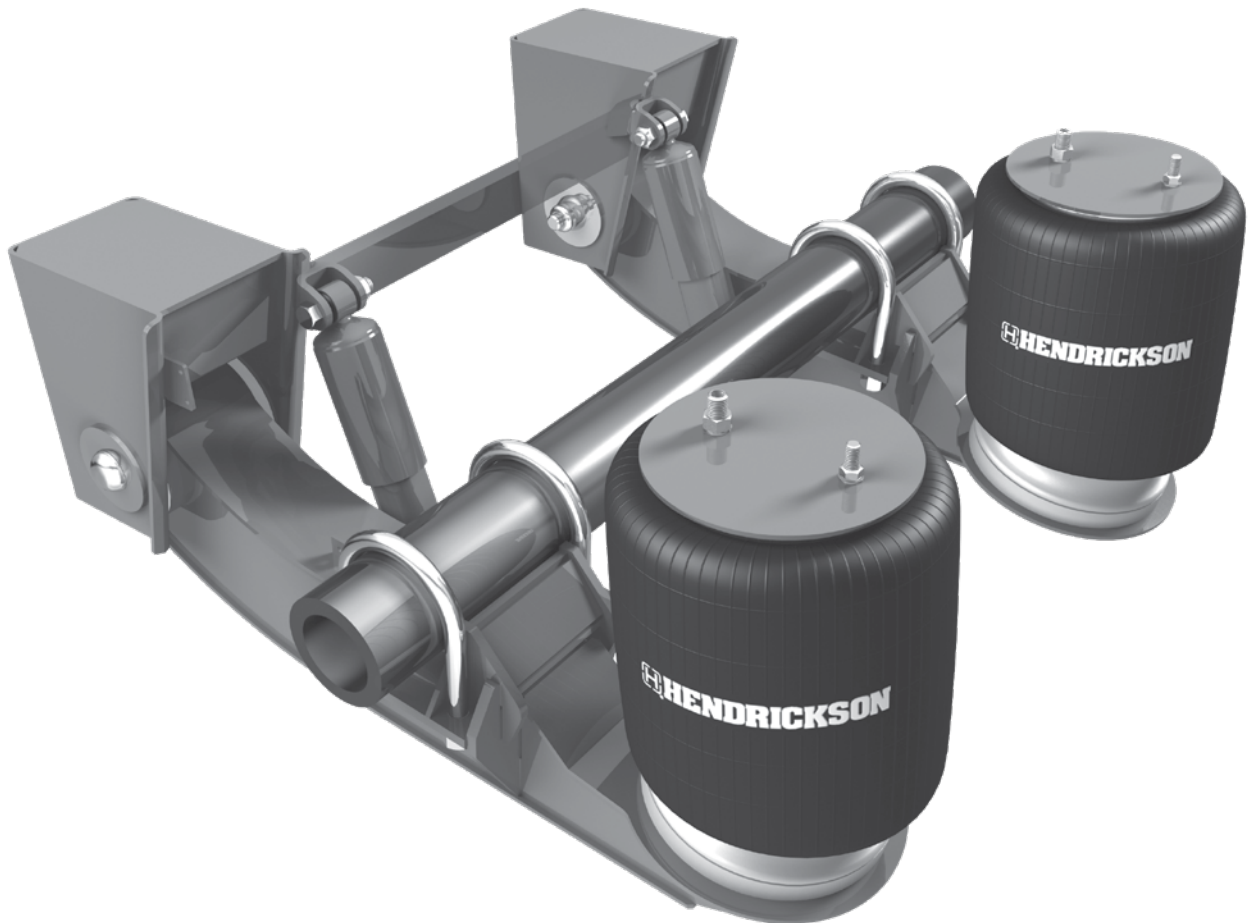
H PARTS LIST

HT300U UNDERSLUNG

LIT NO: L940

DATE: June 2019

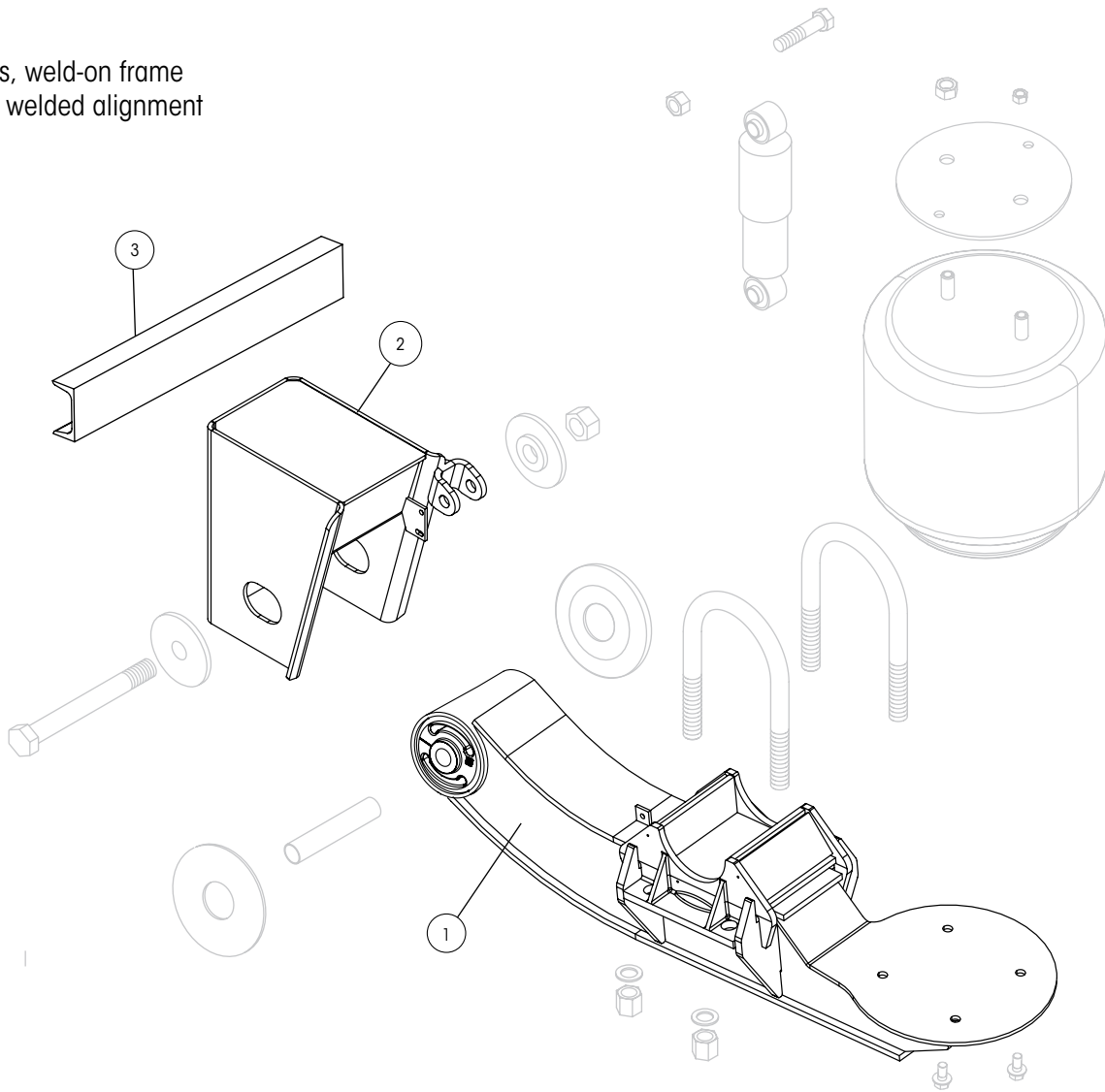
REVISION: C





Picture shown may not resemble all models.

Wingless, weld-on frame
bracket, welded alignment





HT300U UNDERSLUNG PARTS LIST

ITEM	DESCRIPTION	PART NO.	QTY. PER SUSP.	FITS MODELS HT300 ? OR N-HT300 ?		
1	BEAM ASSEMBLY¹					
	Roadside	S-20252-1	1	All models		
	Curbside	S-20252-2	1	All models		
2	FRAME BRACKET²			See L1266 Frame Bracket Parts List		
3	FRAME BRACKET C-CHANNEL	A-1631-19	1	All models		
4	FRAME BRACKET BRACE (Not Shown)	B-2347-6	2	U-14-001	U-14-005	U-14-011
				U-14-015	U-14-021	U-14-023
				U-14-701	U-14-021	U-17-001
				U-17-011	U-17-021	U-17-024
				UB14-022		

1. QUIK-ALIGN is available on certain specs. Contact Hendrickson for assistance.

2. Options exist based on frame attachment, frame bracket style, bolt hole pattern and connection. Contact Hendrickson for assistance or refer to L1266 Frame Bracket parts list.

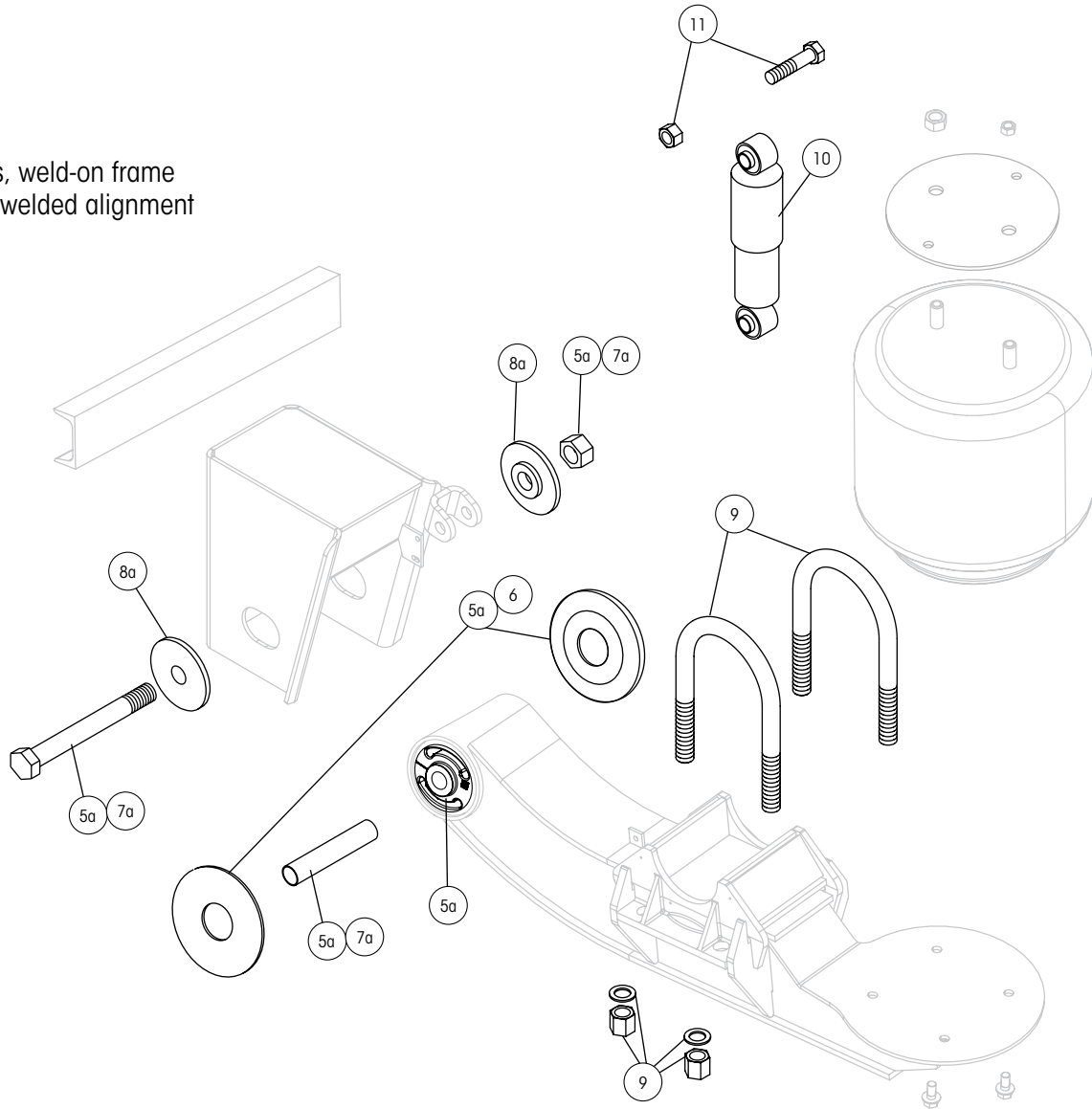
NOTE: Identification tag can be found on the front of the roadside frame bracket or the inside of the curbside beam.

HT300U UNDERSLUNG PARTS LIST



Picture shown may not resemble all models.

Wingless, weld-on frame
bracket, welded alignment





HT300U UNDERSLUNG PARTS LIST

ITEM	DESCRIPTION	PART NO.	QTY. PER SUSP.	FITS MODELS HT300 ? OR N-HT300 ?		
5	TRI-FUNCTIONAL® II BUSHING KIT³					
	5a Welded Alignment	S-6914	2	Includes bushing, bushing tube spacers, cap screw, prevailing torque hex nut, liner and lube		
	5b QUIK-ALIGN® (Not Shown)	S-24691	2	Includes bushing, bushing tube spacers, round head bolt, prevailing torque hex nut, hardened washers and lube		
6	BUSHING TUBE SPACER	S-21099	4	All models		
7	PIVOT BOLT KIT					
	7a Welded Alignment	S-3646	2	Includes cap screw, prevailing torque hex nut and liner		
	7b QUIK-ALIGN (Not Shown)	S-24679	2	Includes round head bolt, hardened washers and prevailing torque hex nut		
8	ALIGNMENT COLLARS					
	8a Welded Alignment	S-2770	4	Collars are welded to frame bracket		
	8b Eccentric, QUIK-ALIGN (outer) (Not Shown)	S-20925	2	Alignment hole is off center		
	8c Eccentric, QUIK-ALIGN (inner) (Not Shown)	S-20924	2	Alignment hole is centered		
9	U-BOLT KIT	S-3650/4	4	Includes (1) round U-bolt and hardware		
10	SHOCK ABSORBER	S-20126	2	U-7.5-001	U-7.5-501	U-9-001
				U-9-005	U-9-020	U-9-021
				U-9-022	U-9-024	U-9-501
				U-9-701	U-12-001	U-12-005
				U-14-005	U-14-020	U-14-021
				U-14-022	U-14-023	U-14-701
				U-15-011	U-17-001	U-17-020
				U-17-021	U-17-024	UB9-022
				UB14-022		
		S-21699	2	U-7.5-519	U-9-011	U-9-519
				U-12-011	U-12-015	U-14-011
				U-14-015	U-17-011	
11	SHOCK BOLT KIT	S-2157/2	2	All models		
12	SHOCK STRAP KIT (Not Shown)			Includes (4) nylon ties and (2) shock straps		
		S-14587-8	1	Use with S-20126 shock		
		S-14587-8	1	Use with S-21699 shock		
13	REMOTE SHOCK MOUNT (Not Shown)					
	13a Upper Assembly (Not Shown)					
	Roadside Suspension	C-21797-1	1	U-17-020		
	Curbside Suspension	C-21797-2	1			
	Roadside and Curbside Suspension	A-5431	2	U-9-021	U-12-020	U-14-020
	13b Lower Assembly (Not Shown)	S-2723	1	U-9-021	U-12-020	U-14-020

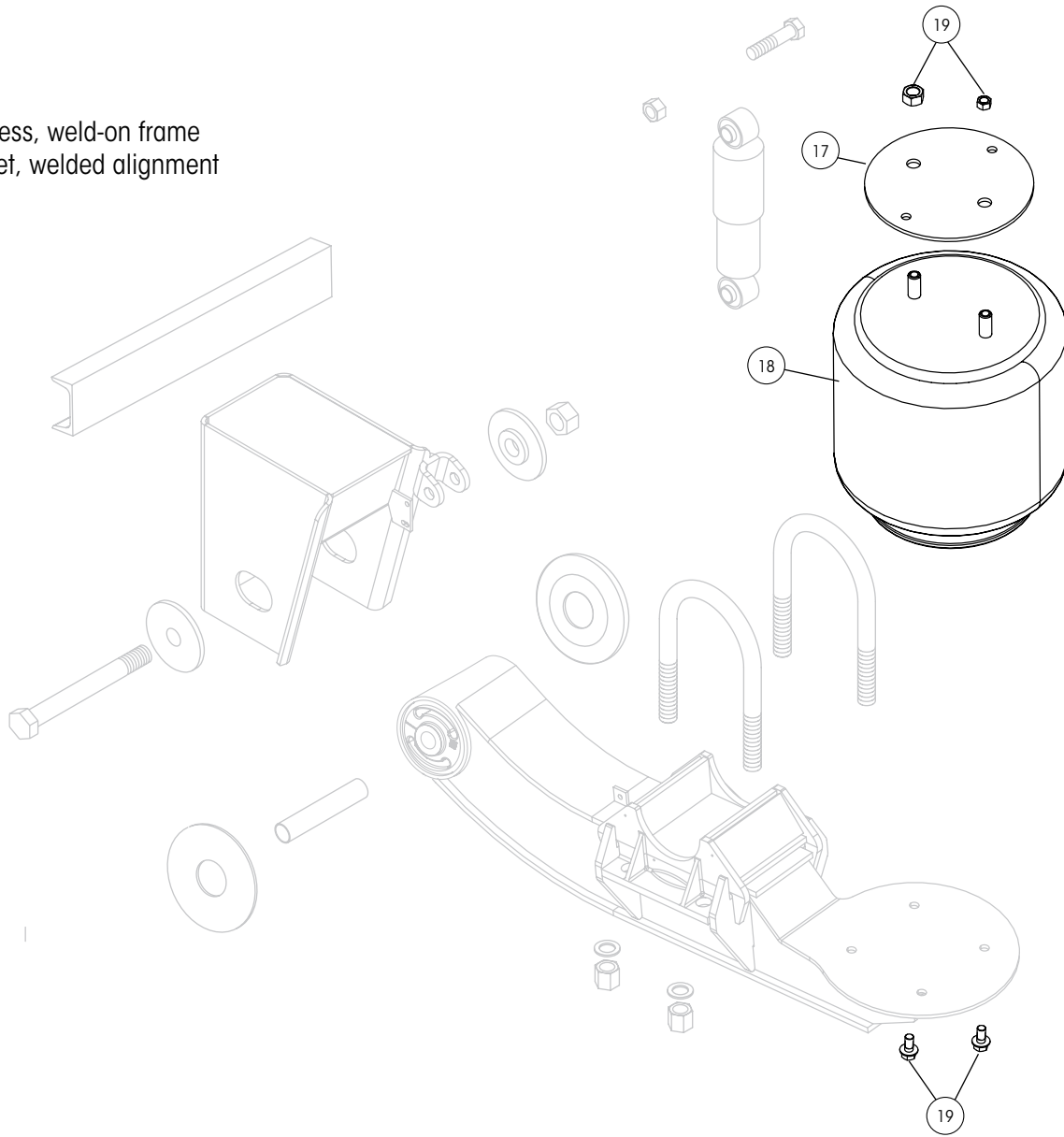
3. Bushing tool S-21307 is required to correctly re-bush the suspension

HT300U UNDERSLUNG PARTS LIST



Picture shown may not resemble all models.

Wingless, weld-on frame
bracket, welded alignment





HT300U UNDERSLUNG PARTS LIST

ITEM	DESCRIPTION	PART NO.	QTY. PER SUSP.	FITS MODELS HT300 ? OR N-HT300 ?				
16	AIR SPRING SPACER ASSEMBLY			Includes air spring plate and spacer assembly				
		A-20279	2	U-12-001 U-12-005 U-12-015 U-12-024				
		C-24967	2	U-9-020 U-14-001 U-14-005 U-14-011 U-14-015 U-14-020 U-14-011 UB14-022				
		C-22514	2	U-15-011				
		C-24968	2	U-17-001 U-17-011 U-17-020 U-17-024				
		C-24969	2	U-14-023				
17	AIR SPRING PLATE	A-24966	2	U-7.5-001 U-7.5-501 U-7.5-519 U-9-001 U-9-005 U-9-011 U-9-021 U-9-022 U-9-024 U-9-501 U-9-519 U-9-701 U-12-001 U-12-005 U-12-011 U-12-020 UB9-022				
		18	AIR SPRING	S-3830	2	Fits all models. Replaces S-22173		
		19	AIR SPRING MOUNTING KIT	S-1981/2	2	U-7.5-001 U-7.5-501 U-7.5-519 U-9-001 U-9-005 U-9-011 U-9-020 U-9-021 U-9-022 U-9-701 U-14-001 U-14-005 U-14-011 U-14-015 U-14-020 U-14-021 U-14-022 U-14-023 U-14-701 U-15-011 U-17-001 U-17-011 U-17-020 U-17-021 UB9-022 UB14-022		
				S-20313/2	2	U-12-001 U-12-005 U-12-011 U-12-015 U-12-020 U-12-024		
				20	UNIVERSAL HEIGHT CONTROL VALVE (Not Shown)	VS-227	1 ⁴	Fits all models. Includes height control valve, exhaust line fittings and spacer bracket
				21	UNIVERSAL LINKAGE ASSEMBLY (Not Shown)	S-14187	1 ⁴	Includes linkage assembly and hardware
22	DUMP VALVE (Not Shown)			VS-23460	1 ⁴	Includes dump valve and fittings		
23	PRESSURE PROTECTION VALVE (Not Shown)			VS-1128	1	Includes valve only		

4. Quantities for air control components are per trailer

NOTE: Identification tag can be found on the front of the roadside frame bracket or the inside of the curbside beam.

*Actual product performance may vary depending upon vehicle configuration, operation, service and other factors.
All applications must comply with applicable Hendrickson specifications and must be approved by the respective vehicle manufacturer with the vehicle in its original, as-built configuration.
Contact Hendrickson for additional details regarding specifications, applications, capacities, and operation, service and maintenance instructions.*

Call Hendrickson at 330.489.0045 or 866.RIDEAIR (743.3247) for additional information.



www.hendrickson-intl.com

TRAILER COMMERCIAL VEHICLE SYSTEMS

2070 Industrial Place SE
Canton, OH 44707-2641 USA
866.RIDEAIR (743.3247)
330.489.0045 • Fax 800.696.4416

Hendrickson Canada

250 Chrysler Drive, Unit #3
Brampton, ON Canada L6S 6B6
800.668.5360
905.789.1030 • Fax 905.789.1033

Hendrickson Mexicana

Circuito El Marqués Sur #29
Parque Industrial El Marqués
Pob. El Colorado, Municipio El Marqués,
Querétaro, México C.P. 76246
+52 (442) 296.3600 • Fax +52 (442) 296.3601

L940 Rev C 06-19

© 2006 – 2019 Hendrickson USA, L.L.C. All Rights Reserved. All trademarks shown are owned by Hendrickson USA, L.L.C., or one of its affiliates, in one or more countries.
Information contained in this literature was accurate at the time of publication. Product changes may have been made after the copyright date that are not reflected.

Printed in United States of America