

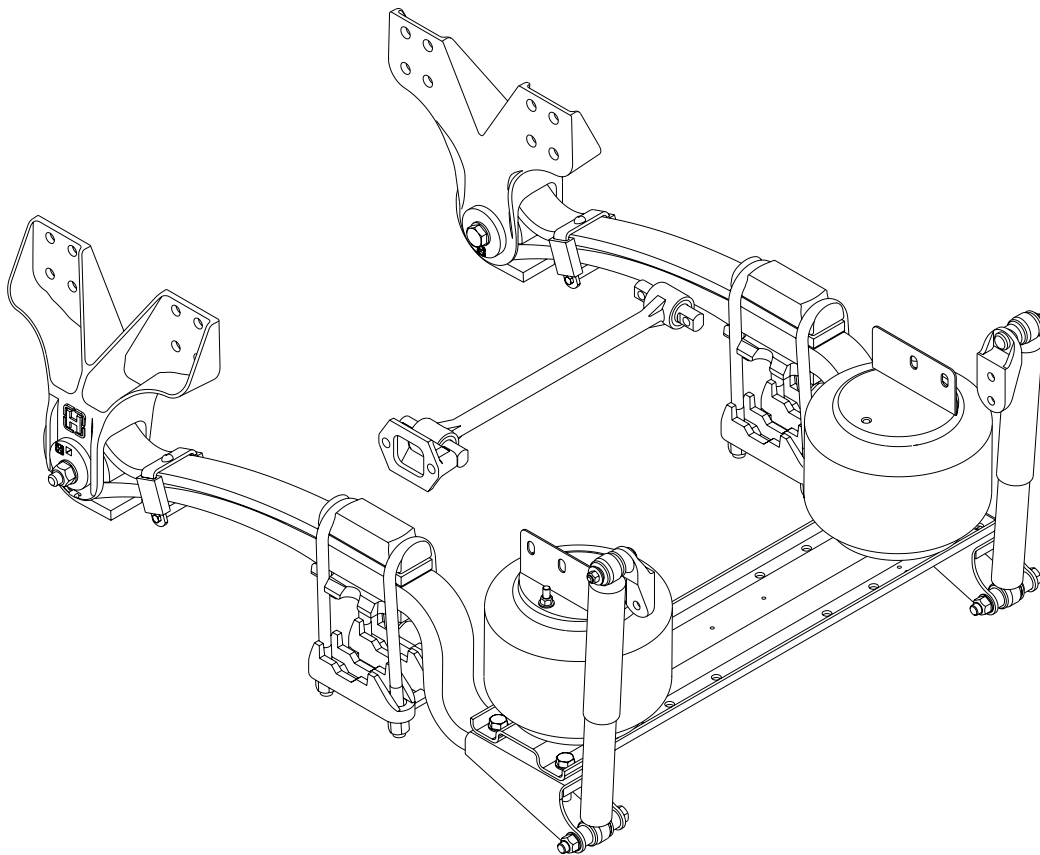
H PARTS LIST

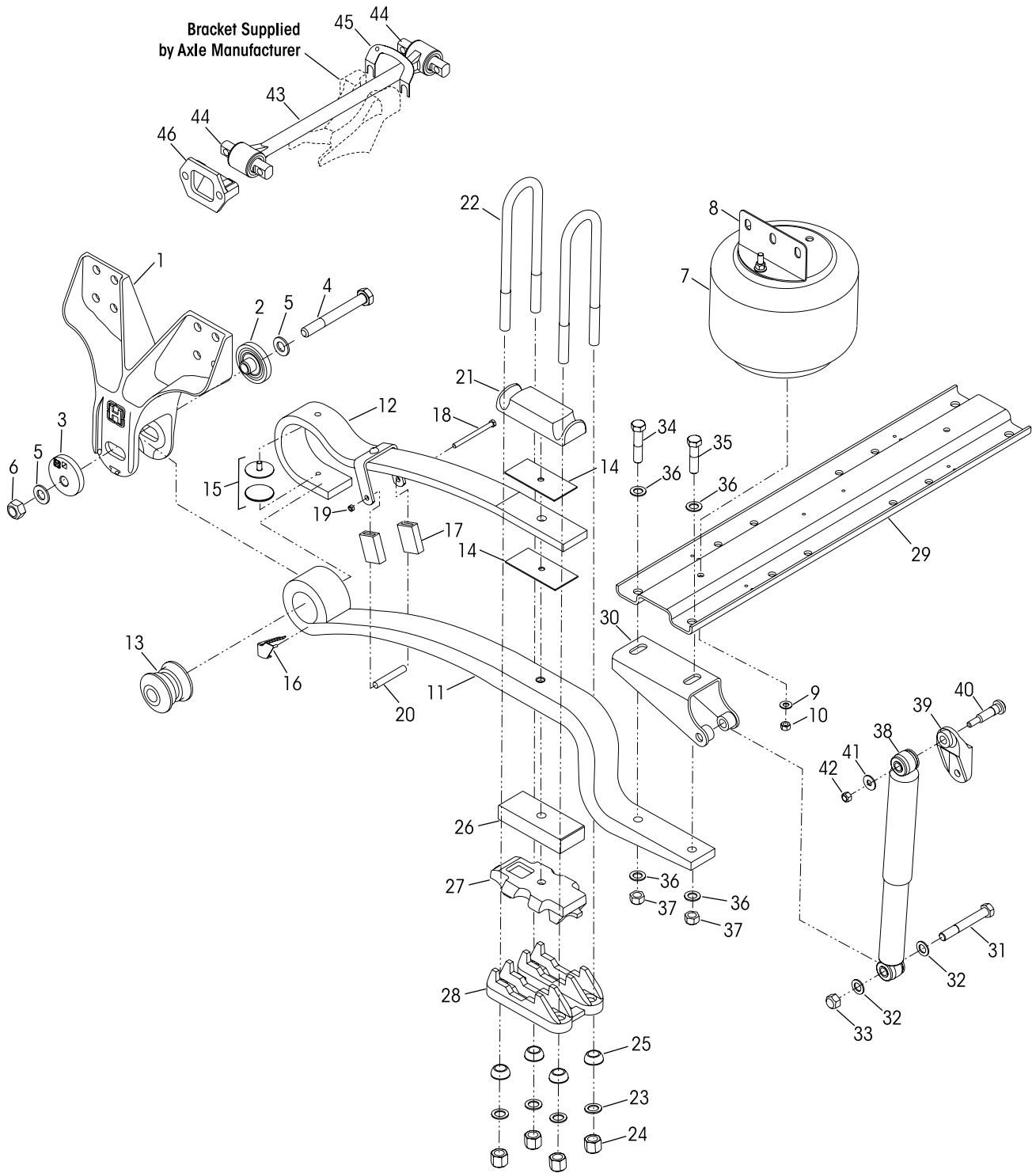
COMFORT AIR® Rear Air Suspension for Thomas Built Buses

LIT NO: SP-295

DATE: September 2015

REVISION: A







KEY NO.	PART NO.	DESCRIPTION	QTY.	KEY NO.	PART NO.	DESCRIPTION	QTY.
1	60784-000	Frame Hanger	2	21	56805-000	Top Pad	2
	60632-038	QUIK-ALIGN Pivot Bushing Service Kit, Axle Set , Includes Key Nos. 2-6, 13, 15, 47			48718-007	U-bolt Service Kit, Axle Set Includes Key Nos. 22-25	
	34013-103	QUIK-ALIGN Pivot Bushing Service Kit, One Side , Includes Key Nos. 4-6, 13, 15, 47		22	47417-008	5/8"-14 UNF x 1 1/2" U-bolt	4
	60632-013	QUIK-ALIGN® Collar Service Kit, Axle Set , Includes Key Nos. 2-6		23	22962-002	7/8" Hardened Flat Washer	8
2	64633-000	QUIK-ALIGN Concentric Collar	3	24	50765-000	7/8" 14 UNF U-bolt Locknut	8
3	64632-000	QUIK-ALIGN Eccentric Collar	1	25	48574-000	Spherical Washer	8
4	68217-000	1"-8 UNC x 7 1/2" Bolt	2	26	48531-015	Spring Seat Spacer	2
5	68232-000	1" Hardened Washer	4	27	56501-020	Spring Seat, 4.5° Pinion Angle LH/RH - 5"	2
6	68218-000	1"-8 UNC Locknut	2	28	50216-000	Axle Bottom Cap	2
	60925-002	Air Spring Assembly, Includes Key Nos. 7-8 and Fasteners	2	29	66279-001	Cross Channel	1
7		*Air Spring	2		57356-000	Lower Shock Bracket Assembly, Includes Key Nos. 30-33	2
8	57096-002	Air Spring Bracket	2	30		*Lower Shock Bracket	2
	49177-006	Lower Air Spring Fastener Service Kit, Axle Set , Includes Key Nos. 9-10		31	50764-002	3/4"-10 UNC x 5 1/2" Bolt	2
9	22962-014	1/2" Flat Washer	2	32	22962-001	3/4" Hardened Washer	4
10	17700-010	1/2"-13 UNC Nylocknut	2	33	49842-000	3/4"-10 UNC Locknut	2
	60779-000	Main Support Assembly, Includes Key Nos. 11-20	2	34		**3/4"-10 UNC x 3 1/2" Bolt	2
11		*Main Support Member	2	35		**3/4"-10 UNC x 3" Bolt	2
12		*Secondary Leaf	2	36		**3/4" Hardened Washer	8
13	58648-000	Pivot Bushing	2	37		**3/4"-10 UNC Locknut	4
14	37674-051	Liner	4	38	60670-006	Shock Absorber	2
15	64817-000	Plastic Isolator Puck	4		57322-002	Upper Shock Bracket Assembly, Includes Key Nos. 39-42	2
16	60392-000	Spring Eye Clip	2	39		*Upper Shock Bracket	2
	49175-026	Spring Clip Fastener Service Kit, Axle Set , Includes Key Nos. 17-19		40	50368-000	1/2"-13 UNC Serrated Shank Bolt	2
17	64272-004	Spring Clip Sleeve	4	41	22962-031	1/2" Hardened Washer	2
18	37042-006	5/8"-14 UNC Bolt	2	42	49846-000	1/2"-13 UNC Locknut	2
19	37587-000	5/8"-14 UNC Nut	2	43	62000-570	Transverse Torque Rod Assembly	1
20		*Clip Bolt Spacer	2	44	47691-000	Torque Rod Bushing	2
				45	49689-000	Torque Rod Shim	As Req.
				46	22186-000	Transverse Torque Rod Frame Bracket	1
				47	70867-001	P-80 Lubricant - 10 ml (Not Shown)	As Req.

NOTE

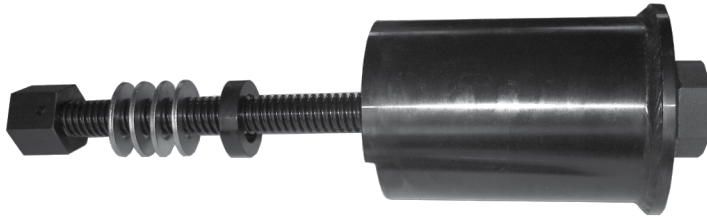
* Item included in assembly only, part not sold separately.

** Not supplied by Hendrickson, used for reference only. Refer to vehicle manufacturer for more information. Hendrickson is not responsible for components supplied by vehicle manufacturer.



■ Special Tools

QUIK-ALIGN PIVOT BUSHING TOOL



Hendrickson Part No. 66086-203L

Reference Literature No. 59310-061

QUIK-ALIGN SOCKET TOOL

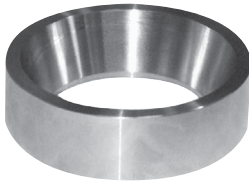


Hendrickson Part No. 66086-200

OTC Part No. 1767

Visit otctools.com

TORQUE ROD BUSHING FUNNEL TOOL



Hendrickson Part No. 66086-001

ULTRA ROD Assembly Funnel Tool

This is a general parts list to provide directional information. Components may vary by model. Questions in regards to parts, contact Hendrickson Truck Parts at 1.866.755.5968 (Toll-free U.S. and Canada), 630.910.2800 (Outside U.S. and Canada) or e-mail: truckparts@hendrickson-intl.com.

www.hendrickson-intl.com



Truck Commercial Vehicle Systems
800 South Frontage Road
Woodridge, IL 60517-4904 USA

1.866.755.5968 (Toll-free U.S. and Canada)
630.910.2800 (Outside U.S. and Canada)
Fax 630.910.2899