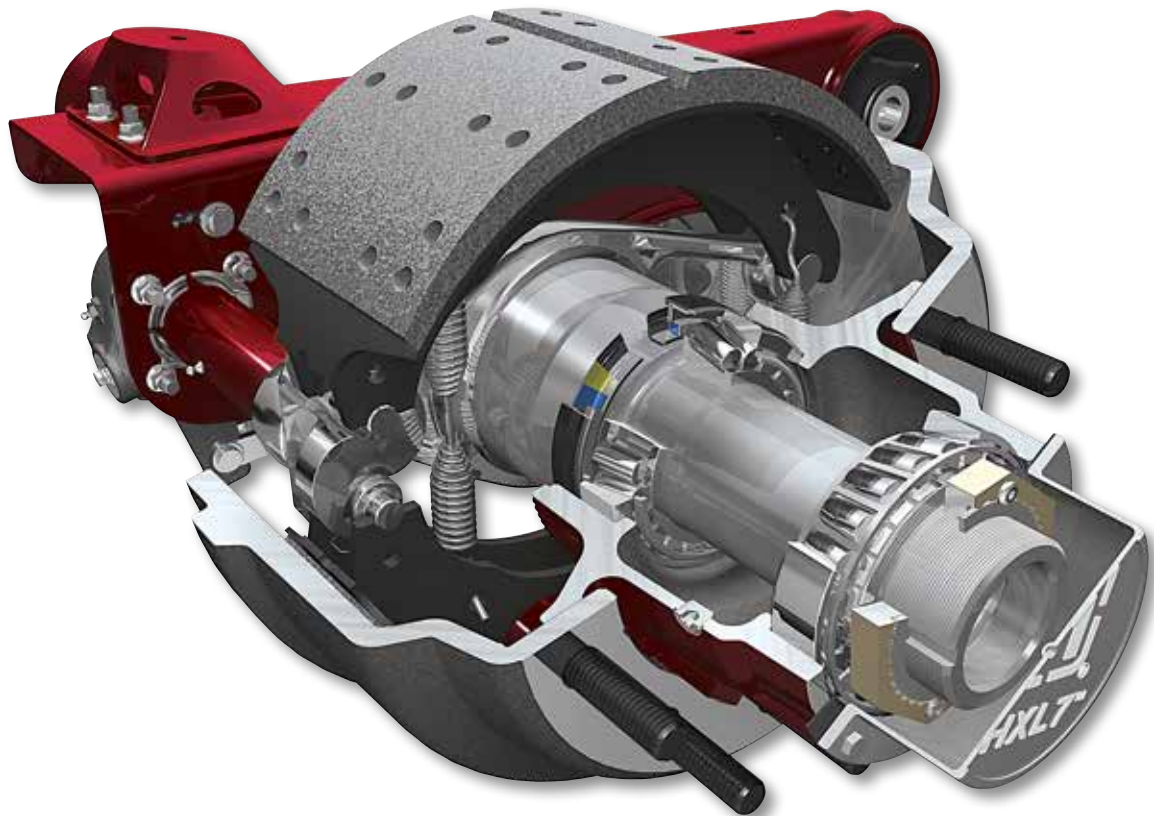




RTR® READY-TO-ROLL®

**HXL7® Hendrickson
Extended-Life 7-year System™**

- Maximize miles
- Maximize uptime
- Maximize performance



Engineering Expertise

HXL7® Hendrickson's Extended-Life 7-year system™ combines Hendrickson's engineering and manufacturing expertise with high-performance wheel-end components to create a wheel-end system that is 100 percent field serviceable and delivers reliability and performance mile after mile. Developed and built utilizing our innovative research and design resources, the HXL7 boasts an industry exclusive 7-year limited warranty*.

Installation Expertise

Installed by factory-trained technicians, HXL7 features a precision-machined spindle, a premium Federal-Mogul seal, high-performance synthetic semi-fluid grease and our PRECISION320® spindle nut system. The PRECISION320 nut allows for ultra-precise bearing adjustment. HXL7 bearings are set with a slight pre-load, capable with Hendrickson's advanced assembly technology, thus elevating bearing and seal performance beyond traditional levels.

Outstanding Performance

Designed to work in unison with Hendrickson's suspension systems, the HXL7 system helps enhance uptime and reduce maintenance. From suspension through wheel-end, Hendrickson provides ultimate system integration, which supports superior weight savings, durability and performance.

* Contact Hendrickson for complete warranty terms, conditions and limitations.

To learn more about HXL7,
call 866.743.3247 or visit
www.hendrickson-intl.com

HENDRICKSON
The World Rides On Us®

HXL7® Hendrickson Extended-Life 7-year System™ Features and benefits

Premium Federal Mogul Seal

- Long-life seal with Teflon lay down lip that is immune to temperature or chemical attacks, resists leaking and helps prevent contamination ingress

HP Parallel Spindle ONLY

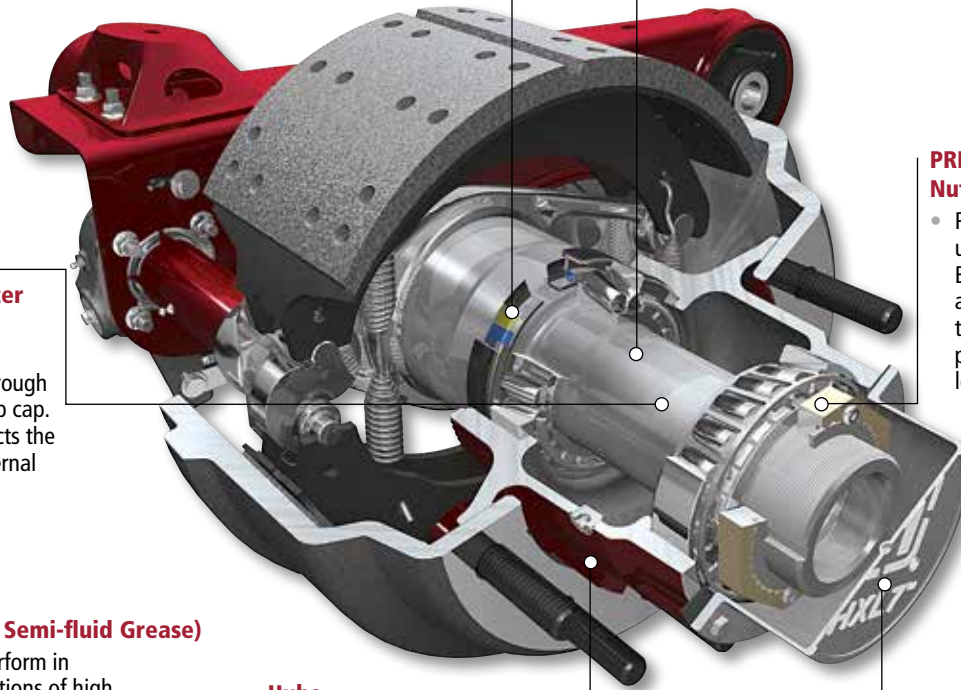
- Parallel spindle promotes even lubrication of inner and outer bearings
- Approved for wide base tires using two-inch offset rims

PRECISION320® Nut System

- Patented▲ system allows for ultra-precise bearing adjustment. Bearings are set and controlled at a slight pre-load condition, thus elevating bearing and seal performance beyond traditional levels

Hendrickson's Patented▲ Axle Filter and Axle Venting System

- Wheel-end vents through the axle, not the hub cap. The axle filter protects the wheel-end from internal contamination



Lube (Synthetic / Semi-fluid Grease)

- Formulated to perform in demanding conditions of high and low temperatures
- Excellent anti-wear and low friction performance
- Less prone to leaking compared to oil

Hubs

- Ductile iron, austempered ductile iron (ADI) and aluminum hubs with lube "fill ports" designed for accurate filling volumes

Non-Vented, Corrosion Resistant Aluminum Hub Cap

- High quality hub cap gasket with micro pore technology to help prevent wicking
- Helps prevent contaminant ingress in tough environments

▲ This product is covered by at least one or more U.S. and / or foreign patents and / or patent applications. See Hendrickson for details.

Trust HXL7® wheel-ends for the long haul

TRAILER APPLICATION		HXL7 WARRANTY	
		LABOR COVERAGE	PARTS COVERAGE
On-Highway ¹	Van, Reefer	7-years	7-years
	Vocational	7-years	7-years

HXL7® is available on most INTRAAX®, VANTRAAX® and TRLAXLE® loose trailer axle models and is approved for applications up to and including 25,000 pounds per axle. Hendrickson warrants HXL7 up to seven-years parts and labor in most on-highway applications.*

* Contact Hendrickson for complete warranty terms, conditions and limitations.

1. HXL7 is not approved for use on Autohaulers or in any off-road application

Actual product performance may vary depending upon vehicle configuration, operation, service and other factors.

All applications must comply with applicable Hendrickson specifications and must be approved by the respective vehicle manufacturer with the vehicle in its original, as-built configuration. Contact Hendrickson for additional details regarding specifications, applications, capacities, and operation, service and maintenance instructions.

Call Hendrickson at **330.489.0045** or **866.RIDEAIR (743.3247)** for additional information.



www.hendrickson-intl.com

TRAILER COMMERCIAL VEHICLE SYSTEMS

2070 Industrial Place SE
Canton, OH 44707-2641 USA
866.RIDEAIR (743.3247)
330.489.0045 • Fax 800.696.4416

Hendrickson Canada

250 Chrysler Drive, Unit #3
Brampton, ON Canada L6S 6B6
800.668.5360
905.789.1030 • Fax 905.789.1033

Hendrickson Mexicana

Circuito El Marqués Sur #29
Parque Industrial El Marqués
Pob. El Colorado, Municipio El Marqués,
Querétaro, México C.P. 76246
+52 (442) 296.3600 • Fax +52 (442) 296.3601