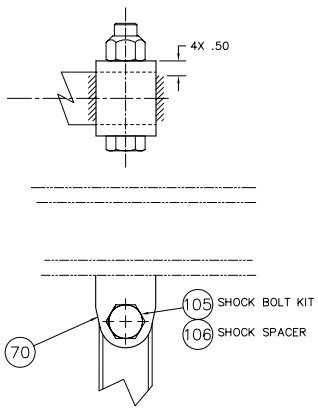
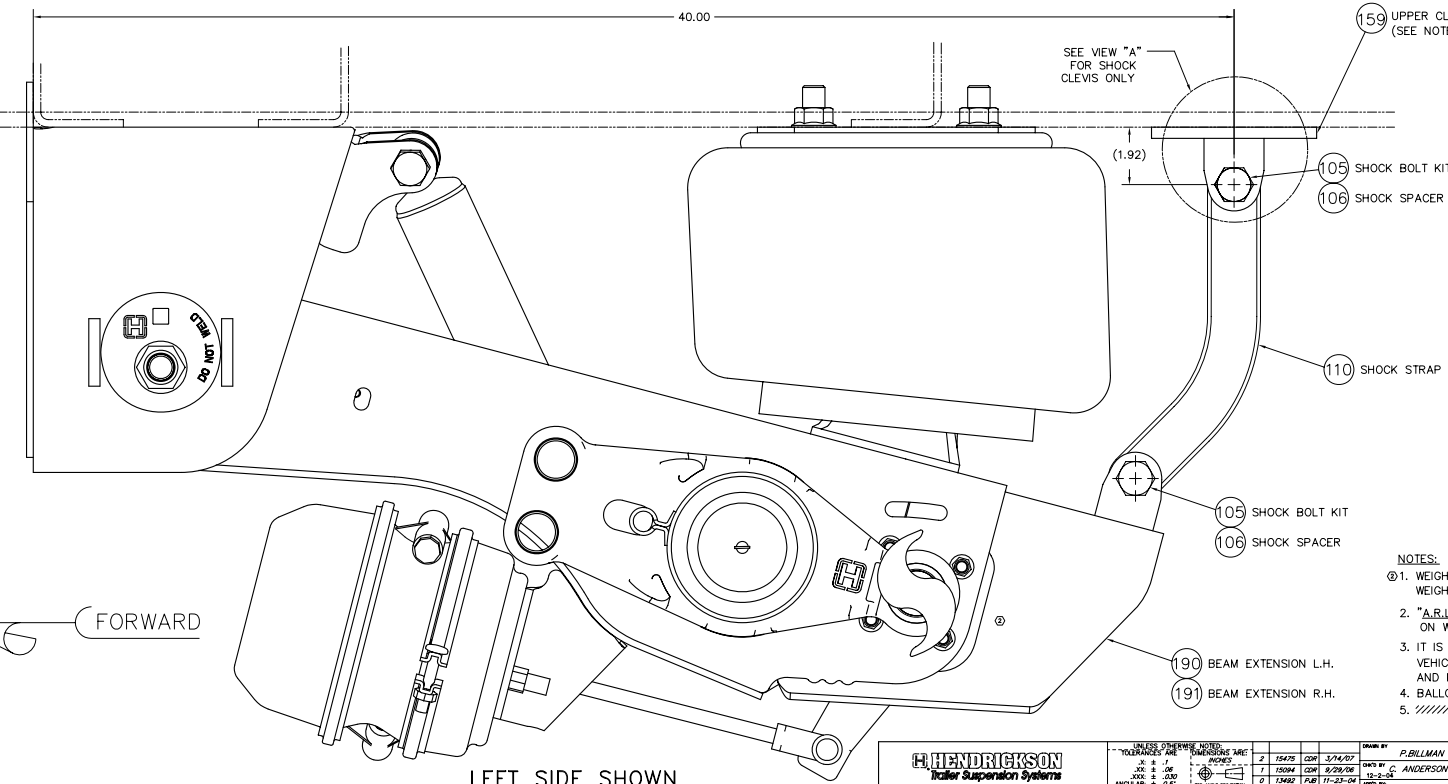
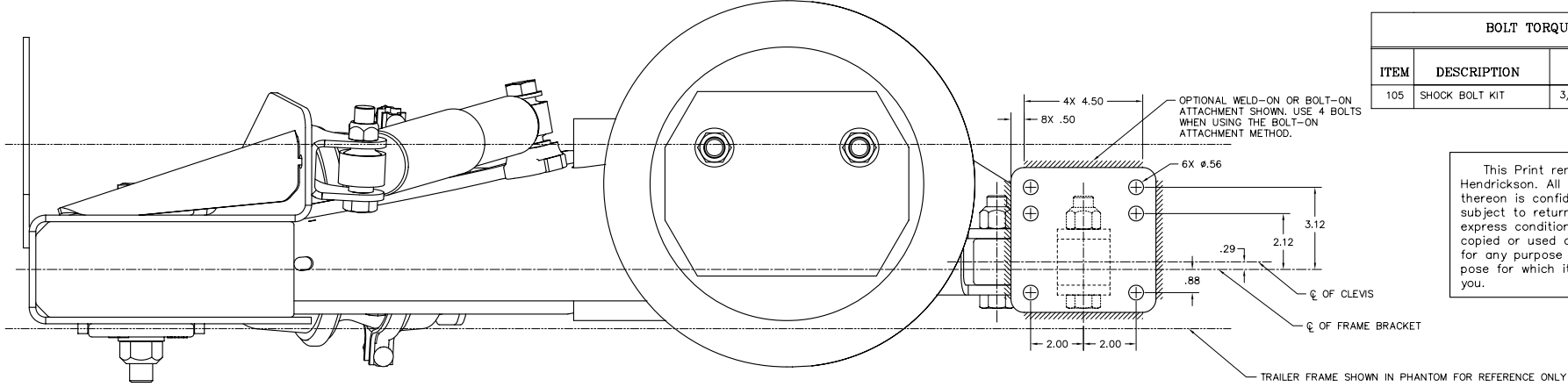


ITEM	DESCRIPTION	ARL
1-199	ARL KIT COMPONENTS	B-28594

BOLT TORQUE VALUES			
ITEM	DESCRIPTION	SIZE	TORQUE
105	SHOCK BOLT KIT	3/4-10	150 FT LB

This Print remains the property of Hendrickson. All information contained thereon is confidential. It is loaned, subject to return on demand and on express condition that it is not to be copied or used directly or indirectly for any purpose other than the purpose for which it has been loaned to you.



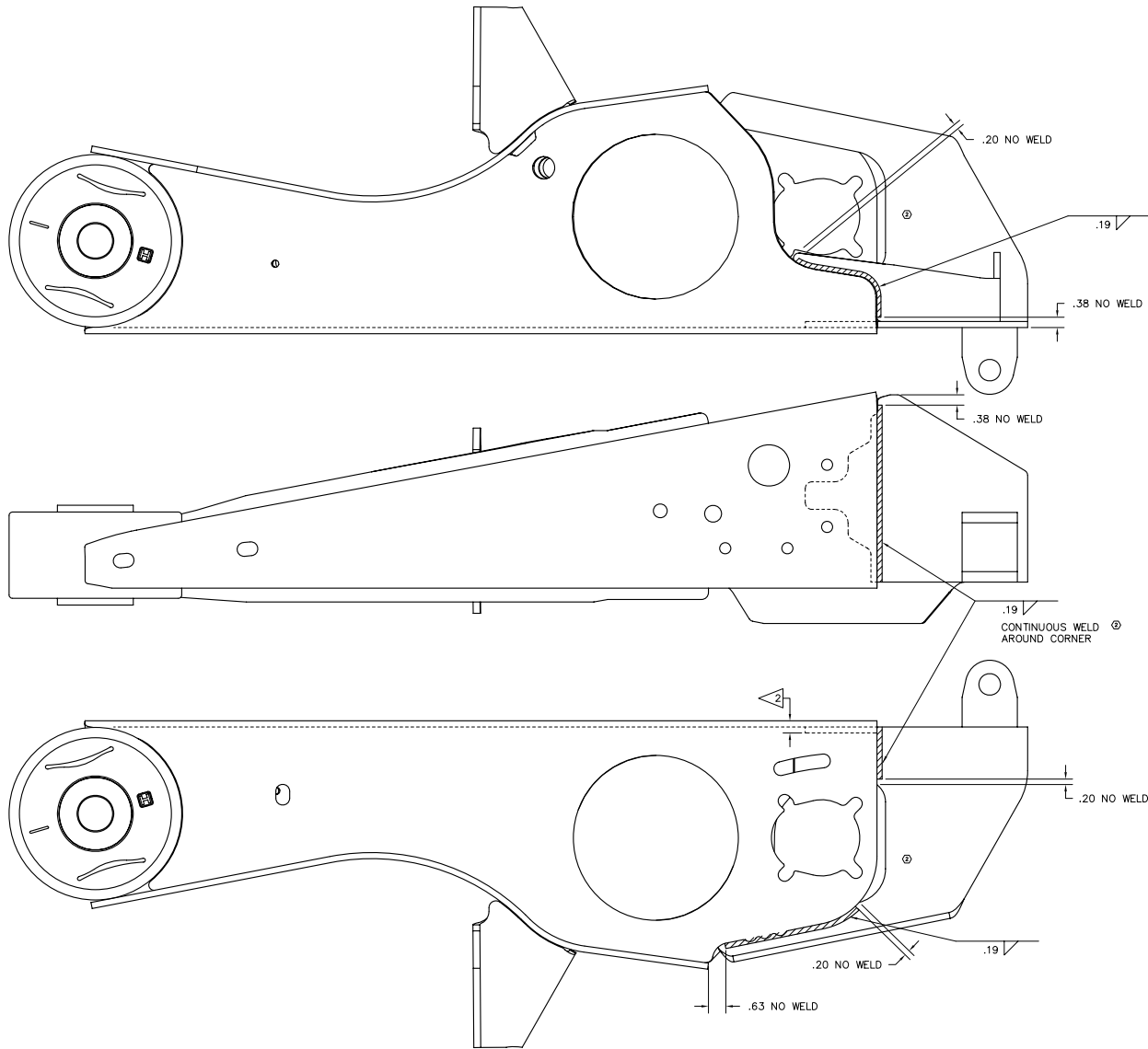
**VIEW "A"**  
SCALE: .50=1.00

- NOTES:**
- ① WEIGHT (TOTAL KIT): 28.91 LB. WEIGHT DOES NOT INCLUDE MOUNTING METHOD OF TOP CLEVIS
  2. "A.R.L." (AUXILIARY REBOUND LIMITER) KIT WILL WORK ON WELD-ON, BOLT-ON, WING OR WINGLESS FRAME BRACKET APPLICATIONS.
  3. IT IS THE RESPONSIBILITY OF THE SUSPENSION INSTALLER AND THE VEHICLE DESIGNER TO PROVIDE BOTH ADEQUATE VEHICLE FRAME DESIGN AND PROPER SECUREMENT METHOD FOR THE A.R.L. UPPER CLEVIS ASSEMBLY (ITEM 159).
  4. BALLOONED NUMBERS FOR HENDRICKSON INTERNAL USE ONLY.
  5. // // // // DENOTES WELD PLACEMENT

FORWARD

LEFT SIDE SHOWN

<p><b>HENDRICKSON</b> Trailer Suspension Systems</p> <p>3700 HANCOCK PLACE SE. CANTON, OH 44705-1000 USA</p>	<p>UNLESS OTHERWISE NOTED, DIMENSIONS ARE IN INCHES.</p> <p>2 16475 20P 3/24/07</p> <p>1 15094 20P 8/29/06</p> <p>2 12662 20P 11-23-04</p> <p>ANGULAR: ± 0.5°</p> <p>DIMENSIONS REFER TO MISC 11430-1180</p>	<p>DESIGN BY: P.BILLMAN 11-23-04</p> <p>CHECKED BY: C. ANDERSON</p> <p>DATE: 11-23-04</p> <p>APP'D BY: R. CORE</p>	<p>INTRAAX® AANT ARL KIT CLEVIS &amp; FLAT BRACKET</p>	<p>SCALE: .50=1.00</p> <p>REV D</p> <p>PAGE 1 OF 2</p>	<p>D-28542</p>
--	--	--	--	--	----------------



VIEW AA  
SCALE: 1.00=1.00

- ASSEMBLY NOTES:
1. GRIND PAINT OFF END OF BEAM.
  2. CLAMP EXTENDED TAB OF BEAM EXTENSION TO INSIDE OF BEAM TOP SURFACE TO INSURE THAT EXTENSION IS PARALLEL WITH THE TOP OF THE BEAM.
  3. // DENOTES WELD PLACEMENT

This Print remains the property of Hendrickson. All information contained thereon is confidential. It is loaned, subject to return on demand and on express condition that it is not to be copied or used directly or indirectly for any purpose other than the purpose for which it has been loaned to you.

	UNLESS OTHERWISE NOTED, DIMENSIONS ARE IN INCHES.		DESIGN BY	P. BILLMAN	11-23-04	INTRAAX® AANT ARL KIT CLEVIS & FLAT BRACKET	SCALE	1:50=1:00	SHEET	D	PAGE	2 OF 2
	3700 HENDRICKSON PLACE, S.E. CANTON, OH 44705-3900 U.S.A.	2 16475 22P 3/24/02 7 15094 22P 8/29/02 2 12462 22P 11-23-04	CHECKED BY C. ANDERSON DATE 11-23-04	THE DIMENSIONS ARE THE PROPERTY OF HENDRICKSON	R. CORE		D-28542					