

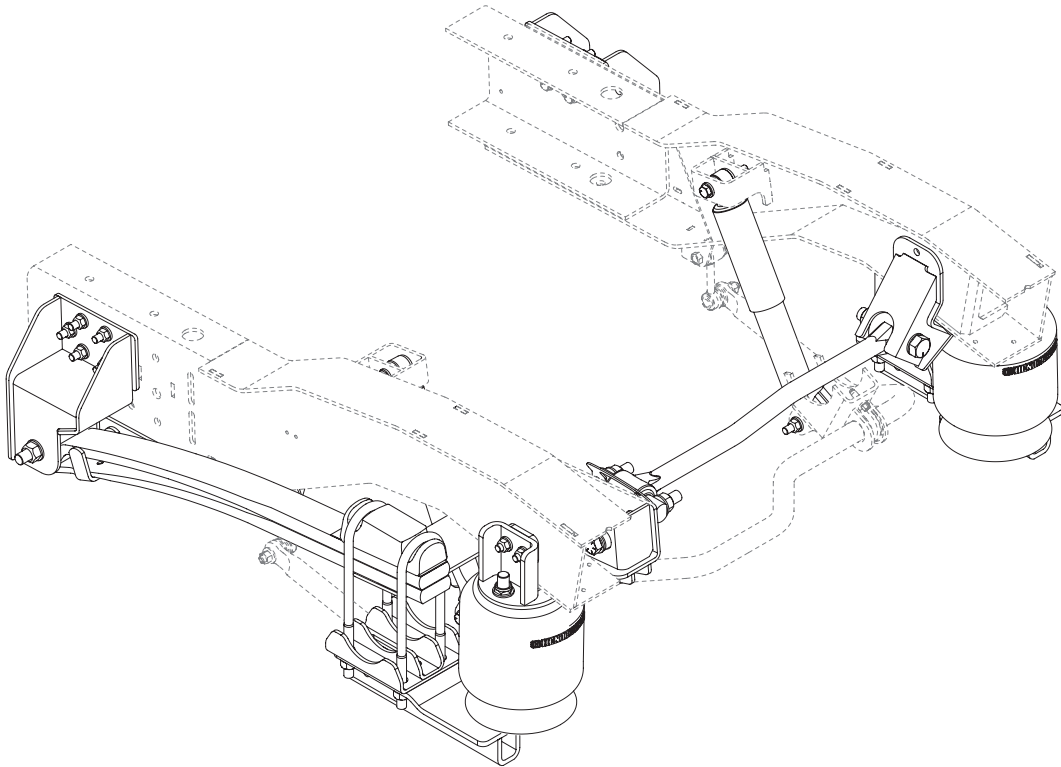
PARTS LIST

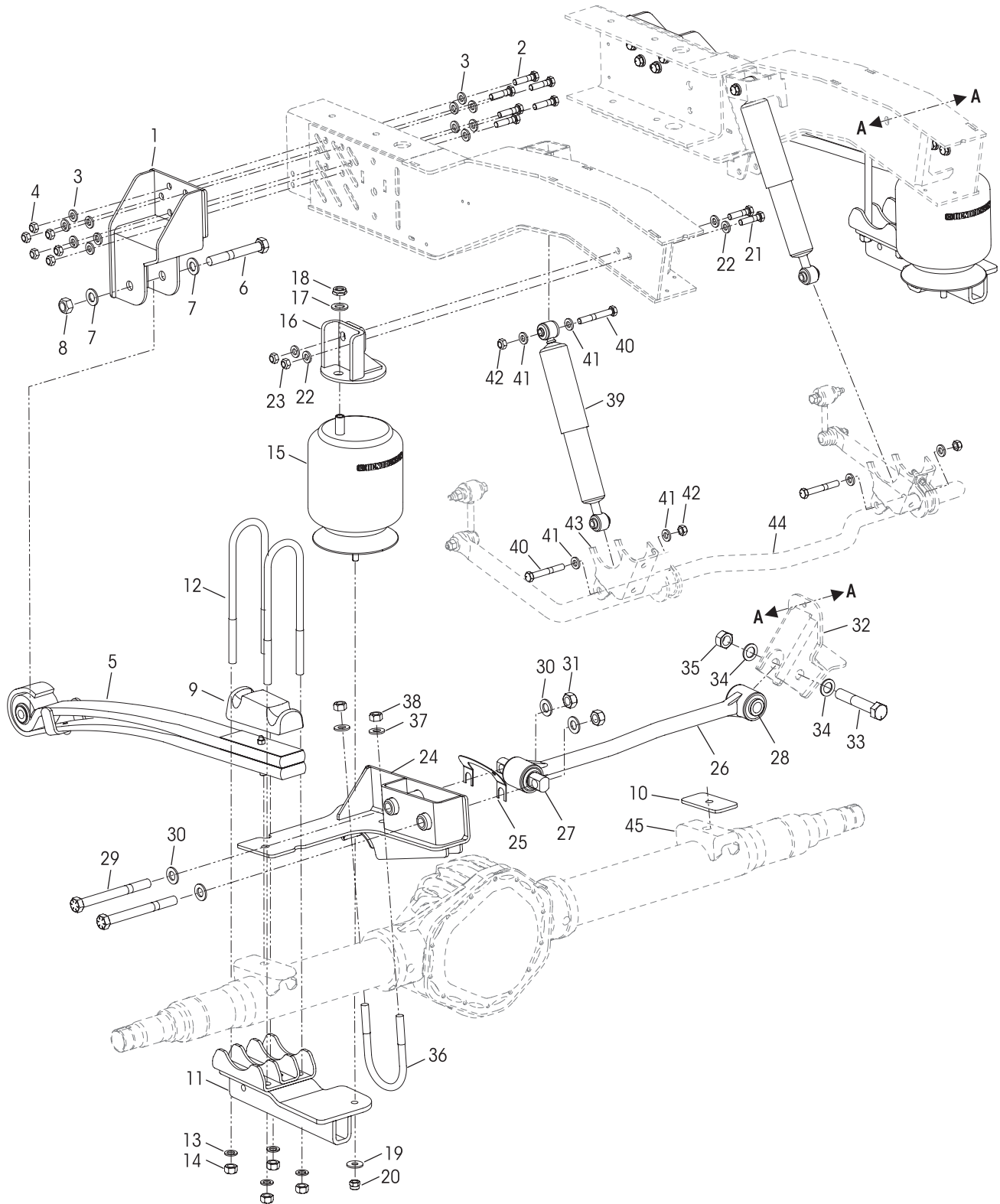
COMFORT AIR® 10K Rear Air Suspension for ARBOC Specialty Vehicles

LIT NO: SP-304

DATE: October 2016

REVISION: A





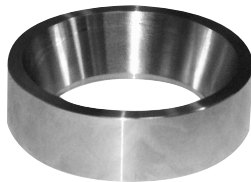


| KEY NO. | PART NO. | DESCRIPTION | VEHICLE QTY. | KEY NO. | PART NO. | DESCRIPTION | VEHICLE QTY. |
|---------|-----------|--|--------------|-----------|--|--|--------------|
| 1 | | Frame Hanger | | 20 | 17700-010 | ½"-13 UNC-2B Locknut | 2 |
| | 79373-001 | Left Hand | 1 | 21 | 24531-006 | ½"-13 UNC x 2" Hex Bolt | 4 |
| | 79373-002 | Right Hand | 1 | 22 | 22962-014 | ½" Flat Washer | 8 |
| | 34013-221 | Frame Hanger Fasteners Service Kit, One Side, Includes Key Nos. 2-4 | | 23 | 49846-000 | ½"-13 UNC Locknut | 4 |
| 2 | 24531-006 | ½"-13 UNC x 2" Hex Bolt | 12 | 24 | 78837-000 | LH Transverse Torque Rod Axle Mount Assembly | 1 |
| 3 | 22962-014 | ½" Flat Washer | 24 | 25 | 49689-000 | Torque Rod Shim | 2 |
| 4 | 49846-000 | ½"-13 UNC Locknut | 12 | 26 | 79320-630 | Torque Rod Assembly | 1 |
| 5 | 53982-000 | Main Support Member | 2 | 27 | 69210-000L | Straddle Bushing | 1 |
| | 34013-222 | Main Support Member Spring Eye Fasteners Service Kit, One Side, Includes Key Nos. 6-8 | | 28 | 47692-000 | Thru Hole Bushing | 1 |
| 6 | 21867-026 | ¾"-16 UNF x 5½" Hex Bolt | 2 | | | Torque Rod Fasteners Service Kits | |
| 7 | 22962-047 | ¾" Flat Washer | 4 | 34013-224 | To Axle Mount, Includes Key Nos. 25, 29-31 | | |
| 8 | 30191-000 | ¾"-16 UNF-2B Locknut | 2 | 34013-223 | To Frame Mount, Includes Key Nos. 33-35 | | |
| 9 | 79307-001 | Top Pad | 2 | 29 | 21867-003 | ¾"-16 UNF x 7½" Hex Bolt | 2 |
| 10 | 79306-001 | RH Spring Seat Spacer | 1 | 30 | 22962-047 | ¾" Flat Washer | 4 |
| 11 | | Lower Air Spring Bracket/Bottom Cap Assembly | | 31 | 30191-000 | ¾"-16 UNF-2B Locknut | 2 |
| | 78830-001 | Left Hand | 1 | 32 | | **Transverse Torque Rod Frame Mount | 1 |
| | 78830-002 | Right Hand | 1 | 33 | 30418-011 | 7/8"-14 UNF x 5" Hex Bolt | 1 |
| | 34013-220 | Clamp Group U-bolt Fasteners Service Kit, One Side, Includes Key Nos. 12-14 | | 34 | 22962-055 | 7/8" Flat Washer | 2 |
| 12 | 79321-001 | 5/8"-18 UNF-2A x 12" U-bolt | 4 | 35 | 04842-000 | 7/8"-14 UNF-2B Locknut | 1 |
| 13 | 22962-025 | 5/8" Flat Washer | 8 | | 34013-225 | U-bolt to Axle Mount Fasteners Service Kit, Includes Key Nos. 36-38 | |
| 14 | 66897-000 | 5/8"-18 UNF-2B Hex Nut | 8 | 36 | 79322-001 | 5/8"-18 UNF-2A x 6½" U-bolt | 1 |
| | 34013-227 | Air Spring Service Kit, One Side, Includes Key Nos. 15, 17-20 | | 37 | 22962-004 | 5/8" Flat Washer | 2 |
| 15 | 78824-000 | Air Spring Assembly | 2 | 38 | 66897-000 | 5/8"-18 UNF-2B Hex Nut | 2 |
| 16 | | Upper Air Spring Bracket Assembly | | | 34013-226 | Shock Absorber Fasteners Service Kit, One Side, Includes Key Nos. 39-42 | |
| | 78845-001 | Left Hand | 1 | 39 | 79333-001 | Shock Absorber | 2 |
| | 78845-002 | Right Hand | 1 | 40 | 24531-016 | ½"-13 UNC x 3½" Hex Bolt | 4 |
| 17 | 22962-001 | ¾" Flat Washer | 2 | 41 | 22962-014 | ½" Flat Washer | 8 |
| 18 | 17700-031 | ¾"-16 UNF-2B Locknut | 2 | 42 | 49846-000 | ½"-13 UNC Locknut | 4 |
| 19 | 22962-031 | ½" Flat Washer | 2 | 43 | | **Lower Shock Absorber Bracket | 2 |
| | | | | 44 | | **Swaybar | 1 |
| | | | | 45 | | **Axle Tube and Spring Seat | 1 |

NOTE

* Item included in assembly/kit only, part not sold separately.

** Not supplied by Hendrickson, used for reference only. Hendrickson is not responsible for components supplied by the vehicle manufacturer. For assistance with maintenance and rebuild instructions on these components see vehicle manufacturer.

Special Tools**TORQUE ROD BUSHING FUNNEL TOOL**

HENDRICKSON PART NO. 66086-001L

ULTRA ROD Assembly Funnel Tool

This is a general parts list to provide directional information. Components may vary by model. Questions in regards to parts, contact Hendrickson Truck Parts at 1.866.755.5968 (Toll-free U.S. and Canada), 630.910.2800 (Outside U.S. and Canada) or e-mail: truckparts@hendrickson-intl.com.

www.hendrickson-intl.com



Truck Commercial Vehicle Systems
800 South Frontage Road
Woodridge, IL 60517-4904 USA

1.866.755.5968 (Toll-free U.S. and Canada)
630.910.2800 (Outside U.S. and Canada)
Fax 630.910.2899