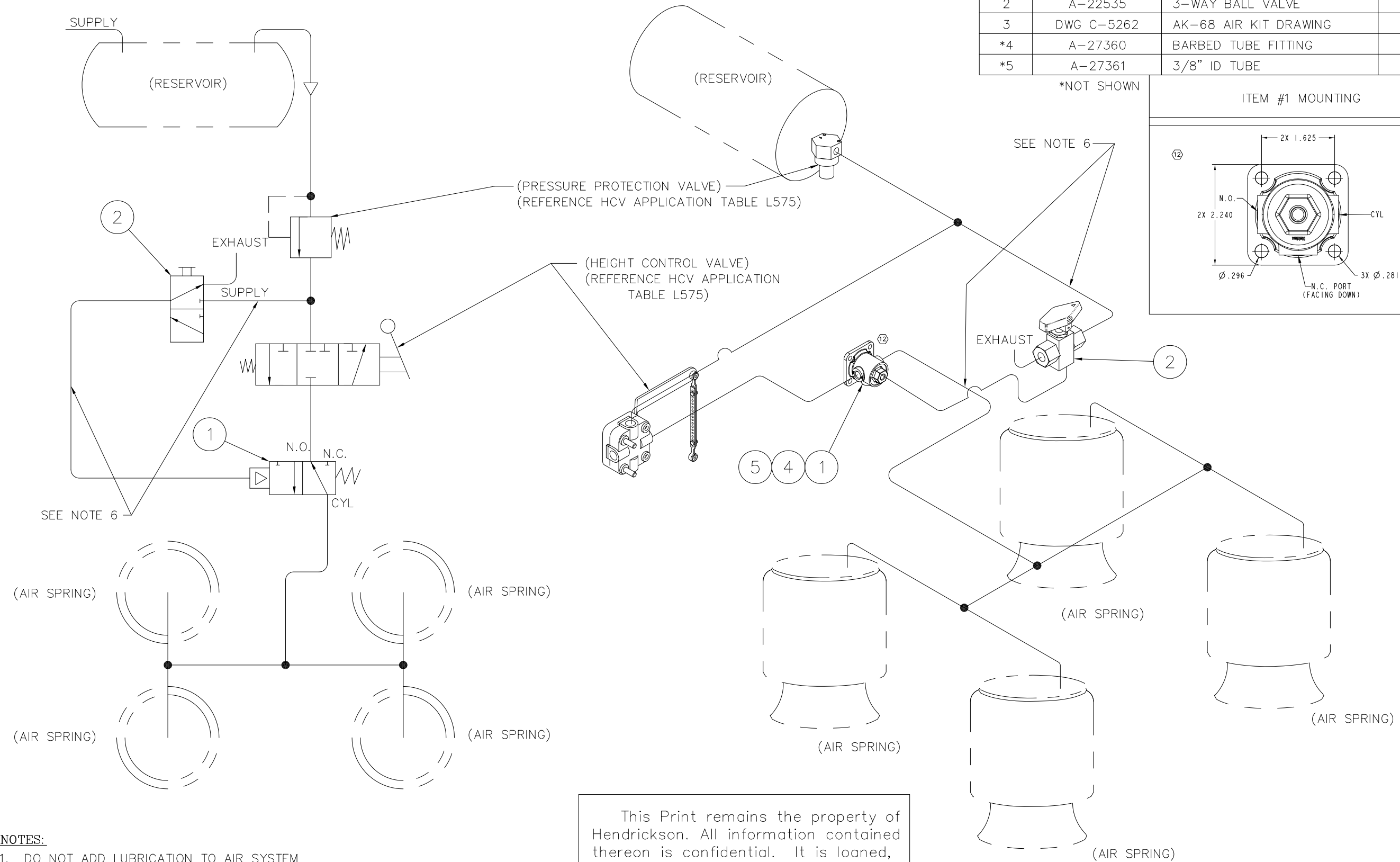
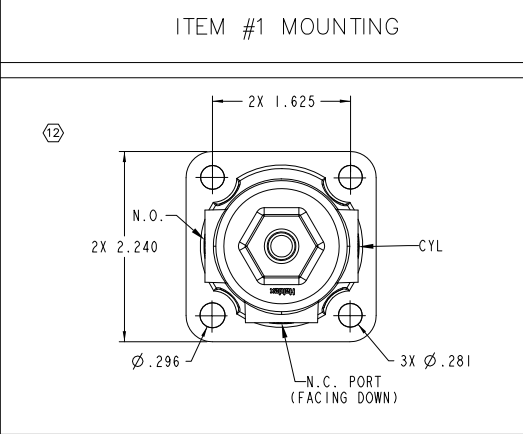


ITEM	PART NO.	DESCRIPTION	QTY.
⑫ 1	B-38689	AIR PILOTED VALVE, 3-WAY	1
2	A-22535	3-WAY BALL VALVE	1
3	DWG C-5262	AK-68 AIR KIT DRAWING	1
*4	A-27360	BARBED TUBE FITTING	1
*5	A-27361	3/8" ID TUBE	1

*NOT SHOWN



NOTES:

- DO NOT ADD LUBRICATION TO AIR SYSTEM
- ALL CONNECTIONS MUST BE LEAK PROOF
- AVOID BENDS IN AIR LINES
- AIR LINE FITTINGS AND LINES TO BE FURNISHED BY INSTALLER. 3/8" O.D. POLYIMIDE TUBING.
- APPLICATION - ALL SUSPENSION MODELS
- 1/4" O.D. POLYIMIDE TUBING MAY BE USED HERE.
- ⑫ 7. WEIGHT: .95 LB.

PART NUMBER	REV
AK-68	12

P
PRODUCTION

This Print remains the property of Hendrickson. All information contained thereon is confidential. It is loaned, subject to return on demand and on express condition that it is not to be copied or used directly or indirectly for any purpose other than the purpose for which it has been loaned to you.

OPERATION:

- BALL VALVE TURNED TO DUMP POSITION
- AIR FLOWS THROUGH BALL VALVE TO PILOT VALVE.
 - PILOT VALVE CLOSES AIR SUPPLY AND EXHAUSTS AIR SPRINGS.
- BALL VALVE TURNED TO HIGHWAY POSITION
- AIR DOES NOT FLOW THROUGH THE BALL VALVE
 - AIR FLOWS THROUGH PILOT VALVE TO AIR SPRINGS

FUNCTION
AIR OPERATED "DUMP" (RIDE SPRING EXHAUST).

HENDRICKSON
TRAILER SUSPENSION SYSTEMS
2070 INDUSTRIAL PLACE S.E., CANTON, OH 44707-2600 U.S.A.

UNLESS OTHERWISE NOTED: TOLERANCES ARE:		12	31537	NJK	6-12-18	DRAWN BY	GRAHAM	DATE	7-23-87
DIMENSIONS ARE:		11	19050	PSO	8-11-10	CHK'D BY	R.FRANKS	THIS DRAWING IS THE CONFIDENTIAL PROPERTY OF HENDRICKSON	
X: ± .1		9a	13038	CLA	3-5-04	APP'D BY:	JIM RUSHE		
.XX: ± .06		9	11939	CDR	11-19-02				
.XXX: ± .030									
ANGULAR: ± 0.5°									
3RD ANGLE PROJECTION									
DIMENSIONS ADHERE TO ANSI Y14.5M-1982		REV.	ECN NO.	BY	DATE				

AIR CONTROL KIT AK-68

SCALE	PAGE
1.00=1.00	1 OF 1
(SIZE)	DRAWING No.
	C-5262