

H PARTS LIST

AIRTEK® NXT for Freightliner Cascadia® Vehicles

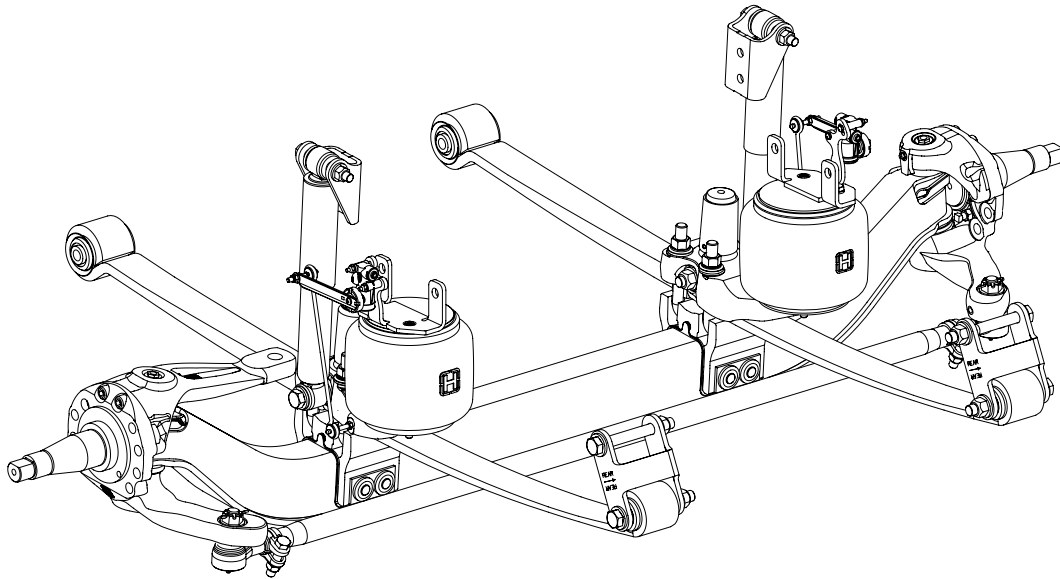
LIT NO: SP-307

DATE: May 2019

REVISION: D

CONTENTS

DESCRIPTION	PAGE
Parts List	2
Selection Guide	4
Special Tools	5





KEY NO. PART NO.		DESCRIPTION	VEHICLE QTY.	KEY NO. PART NO.		DESCRIPTION	VEHICLE QTY.
1		Leaf Spring Assembly, Includes Non-serviceable Front Spring Eye Bushing and Key No. 2	2	38	59946-012	Lower Shock Spacer (10 mm)	2
	53622-000	12.5K		39		*M20 x 2.50-6G x 210 mm Bolt	2
	53767-000	13.3K		40		*M20 Flat Washer	4
	60961-867	Single Thru-Bolt Bushing Service Kit, Includes Key No. 2 and 64		41		*M20 x 2.5 Locknut	2
2		**Rear Spring Eye Thru-Bolt Bushing	2		77771-XXX	Front Axle Assembly, Includes Key Nos. 42-63, <i>See Selection Guide on Page 4</i>	1
3	78046-001	Shackle Plate	2	42	70685-104	12.5K Axle and Kingpin Assembly	1
4		*M20 x 2.50-6G x 170 mm Hex Bolt	4		78685-104	13.3K Axle and Kingpin Assembly	1
5		*M20 Flat Washer - H12	8	43		Left Hand Upper Steering Knuckle Assembly, Includes Key Nos. 47-48, 50-51	1
6		*M20 x 2.5 Locknut	4		60903-473	390 mm Ride Height	
		One Side Clamp Group & Leaf Spring Assembly Service Kit Includes Key Nos. 1-2, 7-8, 12-13, 15-20			60903-474	430 mm Ride Height	
	34013-238	390 mm Ride Height, 12.5K, Left Hand		44	60904-432	Right Hand Upper Steering Knuckle Assembly, Includes Key Nos. 47-48, 50-51	1
	34013-239	390 mm Ride Height, 12.5K, Right Hand		45		Left Hand Lower Steering Knuckle Assembly, Includes Key Nos. 49-51, 56-57	1
	34013-243	390 mm Ride Height, 13.3K, Left Hand			58900-405	150 Ackermann	
	34013-244	390 mm Ride Height, 13.3K, Right Hand			58900-403	200 Ackermann	
		Includes Key Nos. 1-2, 7-8, 12-20			58900-401	230-250 Ackermann	
	34013-240	430 mm Ride Height, 12.5K, Left Hand		46		Right Hand Lower Steering Knuckle Assembly, Includes Key Nos. 49-51, 56-57	1
	34013-241	430 mm Ride Height, 12.5K, Right Hand			58900-406	150 Ackermann	
	34013-245	430 mm Ride Height, 13.3K, Left Hand			58900-404	200 Ackermann	
	34013-246	430 mm Ride Height, 13.3K, Right Hand			58900-402	230-250 Ackermann	
7	78030-001	Left Hand Top Pad / Shock Bracket	1			Kingpin Bushing and Bearing Service Kits, Axle Set, Includes Kit Nos. 60961-629 & -630	
	78030-002	Right Hand Top Pad / Shock Bracket	1		60961-628	Left Hand w/Composite Thrust Bearing, Includes Key Nos. 47-52, 54-55	
8	64080-000	Rubber Bump Stop	2		60961-629	Right Hand w/Roller Thrust Bearing, Includes Key Nos. 47-51, 53-55	
9	79115-002L	Air Spring Assembly, Includes Upper Fasteners	2	47	33117-000	Grease Zerk	2
10	78762-101	Air Spring and Height Control Valve Bracket	2	48	68687-003	Grease Cap Assembly, Upper	2
11	68974-000	M12 x 1.75 Flange Locknut	2	49	68687-002	Grease Cap Assembly, Lower	2
12	75989-000	M20 x 1.5-6H Two-piece Nut	8	50	58909-001	Kingpin Bushing	4
13	57159-015	½" x 2½" Dowel Pin, 390 mm Ride Height	2			Thrust Bearing Service Kits, Axle Set, Includes Kit Nos. 60961-632 & -633	
	57159-014	½" x 4½" Dowel Pin, 430 mm Ride Height	2		60961-631	Left Hand Composite Thrust Bearing, Includes Key Nos. 51-52, 54-55	
14	77517-040	Leaf Spring Spacer, 430 mm Ride Height Only	2		60961-632	Right Hand Roller Thrust Bearing, Includes Key Nos. 51, 53-55	
15	78044-101	Axle Wrap	2	51	68731-000	Kingpin Seal	4
16		M20 x 1.5-6g Semi Round U-bolt	4	52	59828-000	Composite Thrust Bearing, <i>Replaces 77907-000</i>	1
	78025-175	175 mm, 390 mm Ride Height		53	64256-000	Roller Thrust Bearing	1
	78025-215	215 mm, 430 mm Ride Height		54	60236-001	⅝"-11 UNC Socket Head Cap Screw	4
	60961-802	Axle Clamp Service Kit, One Side, Includes Key Nos. 17-20		55	60937-000	Loctite® (Red) Compound Tube (Not Shown)	1
17		**Axle Wrap Liner	2		60961-069	Stop Bolt Service Kit, One End, Includes Key Nos. 56-57	
18		**Axle Clamp, Front - Unthreaded	2	56	60238-001	½"-13 UNC Square Head Stop Bolt	2
19		**Axle Clamp, Rear - Threaded M20 x 2.5	2	57	60240-000	½"-13 UNC Hex Jam Stop Nut	2
20		**M20 X 2.5-6G x 160 mm Hex Thru Bolt	4	58		Tie Rod Assembly, Includes Key Nos. 59-61, <i>See Selection Guide on Page 4</i>	1
21		Height Control Valve and Linkage Assembly,			60961-XXX	Tie Rod End Service Kits, <i>See Selection Guide on Page 4</i> Axle Set, Includes LH and RH Kits	
a	59427-101L	Left Hand, Includes Key Nos. 22, 24-28	1			Left Hand, Includes Key Nos. 59, 61-63	
b	59427-102L	Right Hand, Includes Key Nos. 23-28	1			Right Hand, Includes Key Nos. 60-63	
22	59935-101	Left Hand Height Control Valve	1			Tie Rod Ends, <i>See Selection Guide on Page 4</i>	
23	59935-102	Right Hand Height Control Valve	1	59		Left Hand	1
24		**⅝"-18 UNC-2B Nut	2	60		Right Hand	1
25		**⅝"-18 UNC-2B Nylon Lock Nut	2	61		**⅞" Castle Nut	2
26		**⅝" Flat Washer	2	62	22962-007	⅞" Flat Washer	2
27		**Leveling Valve Link Stud	2	63	17800-004	Tie Rod Nut Cotter Pin	2
28	59428-101	Leveling Valve Linkage Assembly	2	64	69125-001	Loctite (Green) one per bushing (Not Shown)	4
29		*M6 x 1.00 x 55 mm Hex Flange Bolt	4				
30		*M6 x 1.00 Flange Nut	4				
31	17491-011	⅝"-18 UNC-2B Nut	2				
32	59169-003	Link Mount	2				
33	58913-015L	Shock Absorber (538 mm Extended)	2				
34	78047-001	Left Hand Upper Shock Bracket	1				
	78047-002	Right Hand Upper Shock Bracket	1				
35		*M16 x 2.00-6G x 130 mm Bolt	2				
36		*M16 Flat Washer	4				
37		*M16 x 2.00-6H Nut	2				



■ Selection Guide

	Ackermann	Front Axle Assembly Part Number		Tie Rod Assembly Part Number Key No. 58	Tie Rod End Part Number		Tie Rod End Service Kit Part Number
		Ride Height			Left Hand Key No. 59	Right Hand Key No. 60	
		390 mm	430 mm				
12.5K	150	77771-001	77771-004	76877-001	70995-001	70995-002	60961-734 (Axle Set) 60961-736 (LH) 60961-741 (RH)
	200	77771-002	77771-005	76877-002			
	230-250	77771-003	77771-006	76877-003			
13.3K	150	77771-007	77771-010	76879-001	76876-001	76876-002	60961-735 (Axle Set) 60961-742 (LH) 60961-743 (RH)
	200	77771-008	77771-011	76879-002			
	230-250	77771-009	77771-012	76879-003			

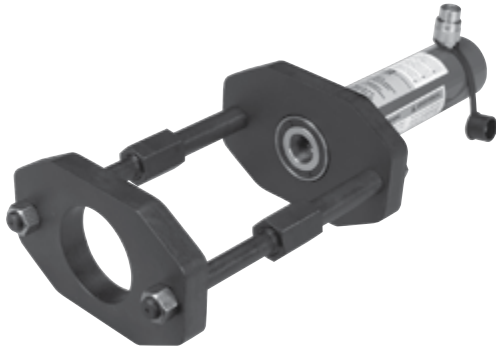


■ Special Tools

REAR LEAF SPRING BUSHING TOOLS

Hendrickson Part No. 66086-303

OTC Part No. 4263 Visit otctools.com



Hendrickson Part No. 66086-304

OTC Part No. 4261 Visit otctools.com



Hendrickson Part No. 66086-305 Adapter Set

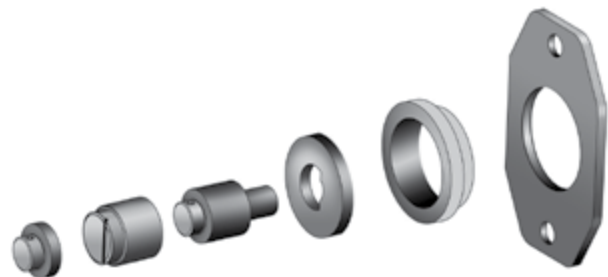
OTC Part No. 4255 Visit otctools.com



Hendrickson Part No. 66086-302

OTC Part No. 4250 Visit otctools.com

Note: In conjunction with Hendrickson Part No. 66086-304 (OTC 4261) this additional adapter tool kit is available to purchase to be used on Hendrickson PRIMAAX EX • COMFORT AIR • V-RIDE rear air suspensions (not needed for this front suspension).



KINGPIN BUSHING TOOL – ADJUSTABLE STRAIGHT FLUTE REAMER

The dimension of cutting diameter must facilitate a range of 1.802"-1.812"



NOTES: * Not supplied by Hendrickson, used for reference only. Hendrickson is not responsible for components supplied by the vehicle manufacturer. For assistance with maintenance and rebuild instructions on these components see vehicle manufacturer.

** Item included in kit / assembly only, part not sold separately.

Hendrickson AIRTEK NXT Ride Height Gauge for Freightliner Vehicles Literature No. 45745-436 can be obtained online at www.hendrickson-intl.com/Litform

This is a general parts list to provide directional information. Components may vary by model. Questions in regards to parts, contact Hendrickson Truck Parts at 1.866.755.5968 (Toll-free U.S. and Canada), 630.910.2800 (Outside U.S. and Canada) or e-mail: truckparts@hendrickson-intl.com.
Actual product performance may vary depending upon vehicle configuration, operation, service and other factors.
All applications must comply with applicable Hendrickson specifications and must be approved by the respective vehicle manufacturer with the vehicle in its original, as-built configuration.
Contact Hendrickson for additional details regarding specifications, applications, capacities, and operation, service and maintenance instructions.

*Call your truck dealer or Hendrickson at **1.866.755.5968** (toll-free) or **1.630.910.2800** for additional information.*



www.hendrickson-intl.com

TRUCK COMMERCIAL VEHICLE SYSTEMS
800 South Frontage Road
Woodridge, IL 60517-4904 USA
1.866.755.5968 (Toll-free U.S. and Canada)
1.630.910.2800 (Outside U.S. and Canada)
Fax 1.630.910.2899

SP-307 Rev D 05-19

© 2017-2019 Hendrickson USA, L.L.C. All Rights Reserved. All trademarks shown are owned by Hendrickson USA, L.L.C., or one of the affiliates, in one or more countries.
Information contained in this literature was accurate at the time of publication. Product changes may have been made after the copyright date that are not reflected.

Printed in United States of America