

TECHNICAL BULLETIN

COMPOSILITE® SCT/SCW(B) 20K Truck and Trailer Mount Enhancements

SUBJECT: Heavy-duty Compliant Tie Rod and V-Rod

LIT NO: TB-H787

DATE: September 2015

REVISION: A

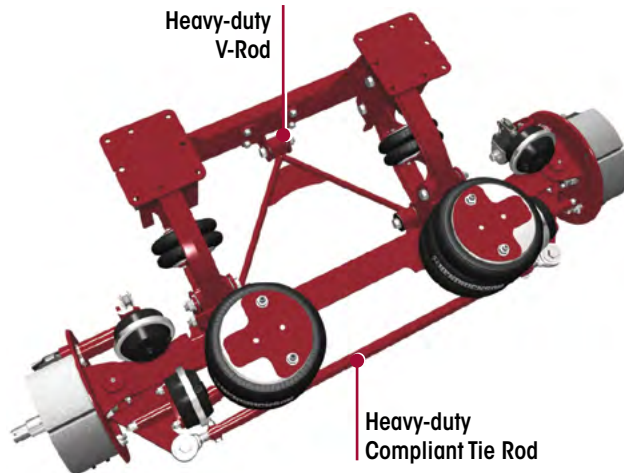
INTRODUCTION

NEW COMPOSILITE® SCT/SCW(B) HEAVY-DUTY ENHANCEMENTS

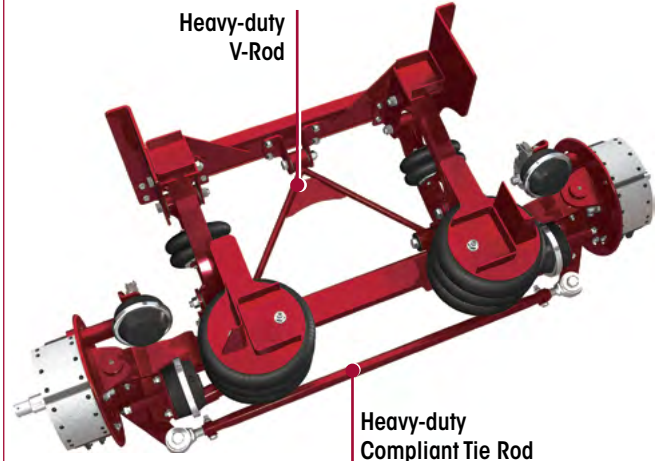
This publication is intended to notify Hendrickson customers of a new enhancement for 20K (20,000 pound capacity) COMPOSILITE® SCT/SCW(B) steerable lift axles. Beginning November 1, 2015, all 20K COMPOSILITE SCT truck mount and COMPOSILITE SCW(B) trailer mount assemblies will now be equipped with the **Heavy duty Compliant Tie Rod (HD CTR)**. The **V-Rod** will also be available as an optional enhancement on existing models, see Figure 1.

FIGURE 1

SCW(B) Trailer Mount



SCT Truck Mount



Aftermarket Service Kits —The HD CTR and the Heavy-duty V-Rod are also available in separate aftermarket service kits, see Page 2. These enhancements are designed to help further increase the life of wear items in heavy-duty applications and vehicles operating in severe operating environments.

Contact Hendrickson Specialty Products – Auxiliary Axle Systems for more information regarding any new or existing COMPOSILITE lift axle applications.

Refer to the Hendrickson Auxiliary Axle Systems Steerable Publication No. H633 for complete installation, preventive maintenance, service and safety instructions available online at www.hendrickson-intl.com.



HEAVY-DUTY COMPLIANT TIE ROD

The Heavy-duty Compliant Tie Rod (HD CTR) incorporates the bushing wind up and self-centering capabilities of the standard CTR, while providing the increased rigidity of a tubular tie rod. The HD CTR is now a standard feature on all new COMPOSILITE SCT/SCW(B) 20K steerable truck and trailer mount assemblies.

- This enhancement is designed to help ensure proper functionality in severe operating conditions and heavy-duty applications seen in the truck/trailer market. The HD CTR assembly is also available in aftermarket Service Kit Nos. R-013544-20 (Truck) / R-013544-22 (Trailer) for fleets that may desire additional tie rod rigidity and performance in their applications.



V-ROD

The V-Rod is now an optional enhancement on the COMPOSILITE SCT/SCW(B) 20K truck and trailer mount assemblies. The aftermarket service kits are available for fleets that may desire additional lateral load stability in their applications.

- The V-Rod further increases the lateral load capability for each COMPOSILITE configuration.



*Aftermarket Service Kits	
**HD CTR Service Kits	
R-013544-20 – Truck	
R-013544-22 – Trailer	
CONTENTS	
DESCRIPTION	QTY
Tie Rod Ends	2
Solid Cross Tube	1
V-Rod Service Kit	
Beam Spacers	2
V-Rod Assembly	1
Cross Member Mount	1
Mounting Hardware	1
NOTE:	
* Aftermarket service kits vary depending upon different model configurations. Contact Hendrickson Auxiliary Axle Systems with the full model number to help determine the appropriate kit number for your lift axle.	
** OEMs may have a different tie rod length from standard length tie rods.	

Refer any questions on this publication to Hendrickson Auxiliary Axle Systems Tech Services:



Toll-free U.S. and Canada
1.800.660.2829
Outside U.S. and Canada
1.740.929.5600



Parts Identification
LiftAxle@hendrickson-intl.com
Technical Support
LiftAxleTech@hendrickson-intl.com



1.740.929.5601



Additional Hendrickson
Product Information
www.hendrickson-intl.com

www.hendrickson-intl.com



Specialty Products - Auxiliary Axle Systems
277 North High Street
Hebron, OH 43025-8008 USA
1.800.660.2829 (Toll-free U.S. and Canada)
1.740.929.5600 (Outside U.S. and Canada)
Fax 1.740.929.5601

Hendrickson Canada
250 Chrysler Drive, Unit #3
Brampton, ON L6S 6B6 Canada
905.789.1030
Fax 905.789.1033