

# H PARTS LIST

## AIRTEK® Front System for Volvo Vehicles

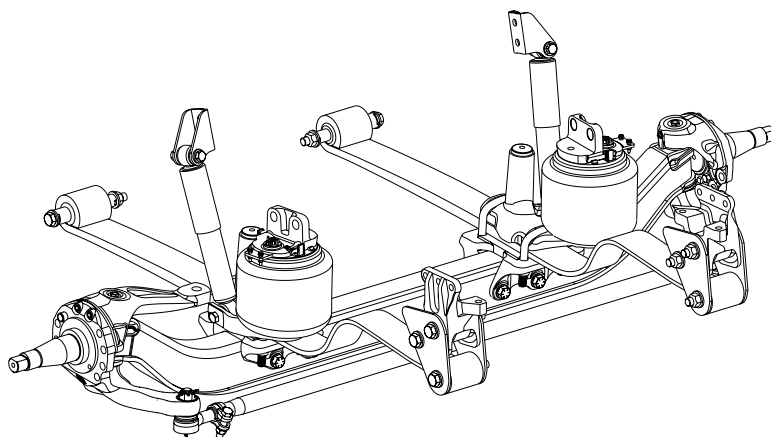
LIT NO: SP-174

DATE: February 2017

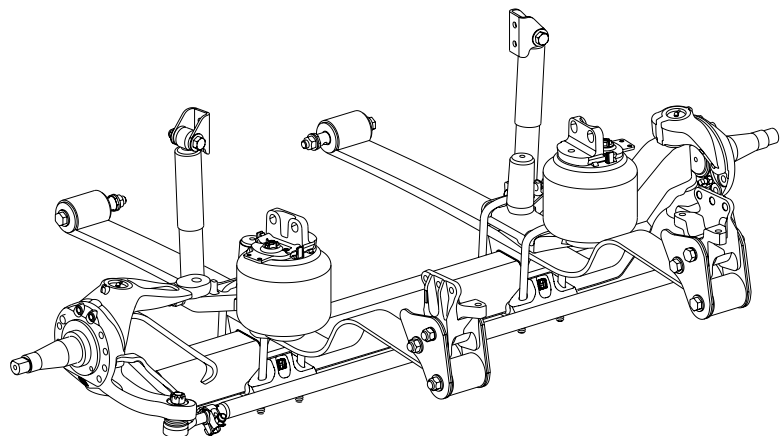
REVISION: J

### CONTENTS

DESCRIPTION	PAGE	DESCRIPTION	PAGE
<b>Parts Lists</b>			
<ul style="list-style-type: none"> <li>■ <b>AIRTEK with STEERTEK NXT Axle</b> <ul style="list-style-type: none"> <li>• Vehicles built AFTER July 2011 . . . . . 2</li> </ul> </li> <li>■ <b>AIRTEK with STEERTEK Axle</b> <ul style="list-style-type: none"> <li>• Vehicles built Prior to July 2011 . . . . . 4</li> <li>• Vehicles built with Pre'07 Engine . . . . . 6</li> </ul> </li> </ul>		<ul style="list-style-type: none"> <li>• Single Height Control Valve for Vehicles built Prior to 3/05 . . . . . 7</li> <li>• Air Spring with Support Plate Service Kit for Vehicles built Between 3/05 and 3/07 . . . . . 7</li> </ul>	
		<b>Tie Rod Selection Guide</b> . . . . .	8
		<b>Notes</b> . . . . .	8

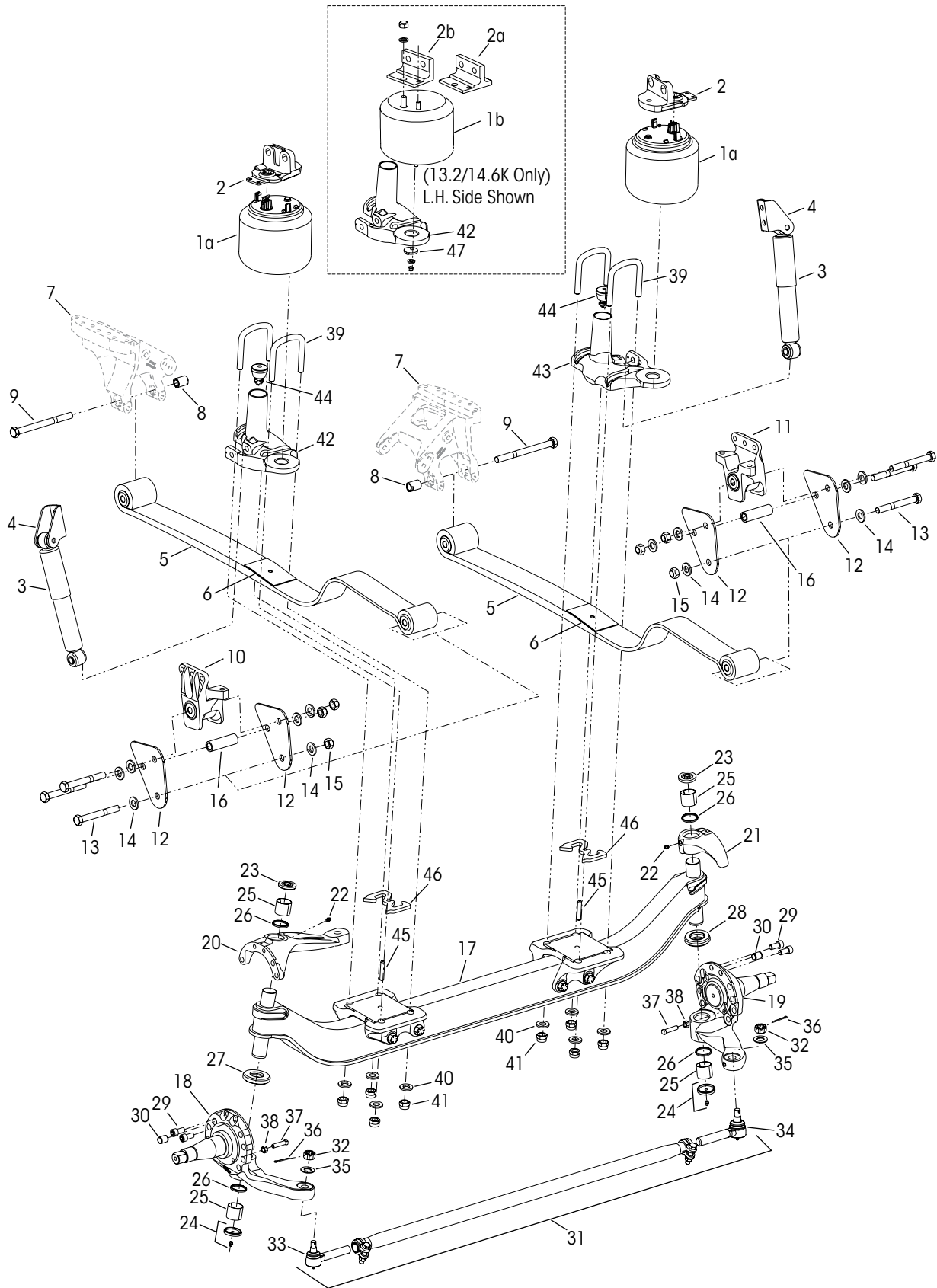


**AIRTEK with STEERTEK NXT Axle**  
Vehicles built AFTER July 2011



**AIRTEK with STEERTEK Axle**  
Vehicles built PRIOR to July 2011

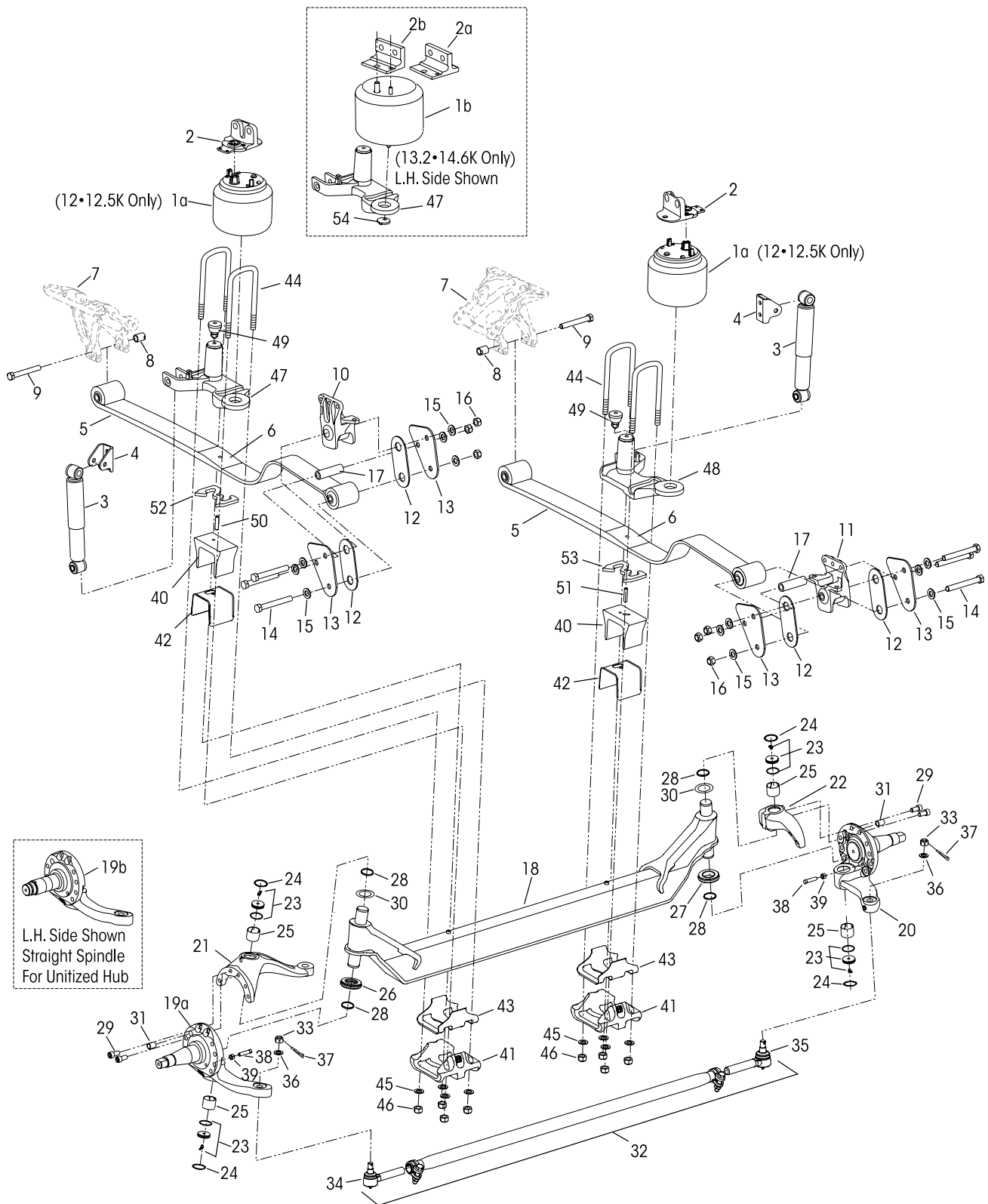
■ Vehicles built with STEERTEK NXT axle AFTER July 2011





KEY NO.	PART NO.	DESCRIPTION	VEHICLE QTY.	KEY NO.	PART NO.	DESCRIPTION	VEHICLE QTY.
1		Air Spring	2				
a	66349-002L	12K•12.5K			60961-628	<b>Kingpin Bushing and Bearing Service Kit, Axle Set</b> , Includes Kit Nos. 60961-629 & -630	
b	60716-002L	13.2K•14.6K			60961-629	<b>LH Kingpin Bushing w/Composite Thrust Bearing Service Kit</b> , Includes Key Nos. 22-27, 29 & Loctite	
2		Air Spring Bracket	2		60961-630	<b>RH Kingpin Bushing w/Roller Thrust Bearing Service Kit</b> , Includes Key Nos. 22-26, 28-29 & Loctite	
	60757-000	12K•12.5K 266 Rail		22	33117-000	Grease Zerk	2
	60976-000	12K•12.5K 300 Rail		23	68687-003	Grease Cap Assembly, Upper	2
a	60738-001	13.2K•14.6K 266 Rail		24	68687-002	Grease Cap Assembly, Lower	2
b	60738-002	13.2K•14.6K 300 Rail		25	78320-001	Kingpin Bushing, <i>Replaces 58909-001</i>	4
3	64838-003L	Shock Absorber	2		60961-631	<b>Thrust Bearing Service Kit, Axle Set</b> , Includes Kit Nos. 60961-632 & 60961-633	
4	59423-008	Upper Shock Bracket	2		60961-632	<b>LH Composite Thrust Bearing Service Kit</b> , Includes Key Nos. 26-27, 29 & Loctite	
5	53216-000	Leaf Spring Assembly w/Bushings Includes Key No. 6	2		60961-633	<b>RH Roller Thrust Bearing Service Kit</b> , Includes Key Nos. 26, 28-29 & Loctite	
6		**Steel Galvanized Liner	2	26	68731-000	Kingpin Seal	4
7		*Front Spring Hanger	2	27	77907-000	LH Composite Thrust Bearing, <i>Replaces 59828-000</i>	1
8	64486-000	Inboard Spring Adapter	2	28	64256-000L	RH Roller Thrust Bearing	1
9	58258-009	M20 x 2.5-6G 230 mm Hex Bolt	2	29	60236-001	5/8"-11 UNC Socket Head Cap Screw	4
		<b>LH Rear Shackle Bracket Service Kit, One Side</b> Includes Key Nos. 10, 12-16		Not Shown	60937-000	Loctite® (Red) Compound Tube	1
	60961-840	266 Frame Rail		30	64246-000	ABS Sensor Sleeve	2
	60961-841	300 Frame Rail		31		Tie Rod Assembly, Includes Key Nos. 32-34 <i>See Selection Guide on Page 8</i>	1
		<b>RH Rear Shackle Bracket Service Kit, One Side</b> Includes Key Nos. 11-16		32		**7/8" Castle Nut	2
	60961-842	266 Frame Rail				<b>Tie Rod End Service Kit, Axle Set</b> , Includes LH and RH Tie Rod End Service Kits, <i>See Selection Guide on Page 8</i>	
	60961-843	300 Frame Rail				<b>LH Tie Rod End Service Kit</b> , Includes Key Nos. 33, 35-36, <i>See Selection Guide on Page 8</i>	
10		LH Rear Shackle Bracket w/Bushing (Cast Part No. 64153-001)	1			<b>RH Tie Rod End Service Kit</b> , Includes Key Nos. 34-36, <i>See Selection Guide on Page 8</i>	
	68548-001	266 Frame Rail		33		LH Tie Rod End, <i>See Selection Guide on Page 8</i>	1
	68554-001	300 Frame Rail		34		RH Tie Rod End, <i>See Selection Guide on Page 8</i>	1
11		RH Rear Shackle Bracket w/Bushing (Cast Part No. 64153-002)	1	35	22962-007	7/8" Flat Washer	2
	68548-002	266 Frame Rail		36	17800-004	Tie Rod Nut Cotter Pin	2
	68554-002	300 Frame Rail		37	60238-001	1/2"-13 UNC Square Head Bolt	2
	60961-635	<b>Shackle Bracket Service Kit, Axle Set</b> , Includes Key Nos. 12-16		38	60240-000	1/2"-13 UNC Hex Jam Nut	2
12	64794-000	Shackle Plate	4			<b>U-bolt Clamp Group Service Kit, One Side</b> , Includes Key Nos. 39-41 12K•12.5K and 13.2K•14.6K	
13	58258-029	M20 x 2.5-6G 160 mm Hex Bolt, <i>Replaces 58258-008</i>	6		64106-023	338 mm Ride Height	
14	58246-029	M20 Flat Washer, <i>Replaces 58246-009</i>	12		64106-024	366 mm Ride Height	
15	58259-003	M20 x 2.5-6H Locknut, <i>Replaces 58259-001</i>	6	39		M20 x 2.5-6G U-bolt, 12K•12.5K and 13.2K•14.6K	4
16	60631-002	Shackle Stop Spacer	2		65663-005	338 mm Ride Height, Bolt Length 128 mm	
	68957-0XX	<b>STEERTEK NXT</b> Axle Assembly, Includes Key Nos. 17-21, 27-29, 31, 35-36, <i>Contact Hendrickson Tech Services for Part Number</i>	1		65663-006	366 mm Ride Height, Bolt Length 155 mm	
17		Axle & Kingpin Assembly, 70.9 KPI	1	40	58246-009	M20 Flat Washer	8
	68956-003M	12K•12.5K, 338/366 mm Ride Ht., 4 1/4" Drop		41	65072-001	M20 x 2.5-6H Nylocknut	8
	68956-004M	12K•12.5K, 338 mm Ride Ht., 5.36" Drop		42		LH Top Pad Assembly	1
	68956-005M	13.2K•14.6K, 338/366 mm Ride Ht., 4 1/4" Drop			69659-001	266 Frame Rail	
	68956-006M	13.2K•14.6K, 338 mm Ride Ht., 5.36" Drop			69660-001	300 Frame Rail	
18		LH Lower Steering Knuckle Assembly, Includes Key Nos. 24-26, 37-38	1	43		RH Top Pad Assembly	1
	58900-407	<190 Ackermann STD Hub, Includes Key No. 30			69659-002	266 Frame Rail	
	58900-409	>190 Ackermann STD Hub, Includes Key No. 30			69660-002	300 Frame Rail	
	58900-417	<190 Ackermann Unitized Hub		44	64080-000	Rubber Axle Stop	2
	58900-419	>190 Ackermann Unitized Hub		45		Dowel Pin	2
19		RH Lower Steering Knuckle Assembly, Includes Key Nos. 24-26, 37-38	1		57159-004	338 mm Ride Height, 66.8 mm	
	58900-408	<190 Ackermann STD Hub, Includes Key No. 30			57159-008	366 mm Ride Height, 94.8 mm	
	58900-410	>190 Ackermann STD Hub, Includes Key No. 30		46	64318-028	Axle Spacer, 366 mm Ride Height, 28 mm	2
Not Shown	58900-418	<190 Ackermann Unitized Hub		47	64166-000	Air Spring Adapter for Top Pad 13.2K•14.6K Only	2
Not Shown	58900-420	>190 Ackermann Unitized Hub					
20		LH Upper Steering Knuckle Assembly, Includes Key Nos. 22-23, 25-26	1				
	60903-411	338 mm Ride Height					
	60903-413	366 mm Ride Height					
21	60904-402	RH Upper Steering Knuckle Assembly, Includes Key Nos. 22-23, 25-26	1				

■ Vehicles built with STEERTEK axle and Post'07 Engine PRIOR TO July 2011





KEY NO.	PART NO.	DESCRIPTION	VEHICLE QTY.	KEY NO.	PART NO.	DESCRIPTION	VEHICLE QTY.
1		Air Spring	2	22	60904-002	RH Upper Steering Knuckle Assembly Includes Key Nos. 25, 28	1
a	66349-002L	12K•12.5K, <i>Replaces 60750-002L</i>			60961-040	<b>Kingpin Bushing and Bearing Service Kit, Axle Set</b> , Includes Kit Nos. 60961-009 & 60961-039	
b	60716-002L	13.2K•14.6K			60961-009	<b>LH Kingpin Bushing w/Composite Thrust Bearing Service Kit</b> , Includes Key Nos. 23-26, 28-30 & Loctite	
2		Air Spring Bracket	2		60961-039	<b>RH Kingpin Bushing w/Roller Thrust Bearing Service Kit</b> , Includes Key Nos. 23-25, 27-30 & Loctite	
	60757-000	12K•12.5K 266 Rail		23	59156-000	Grease Cap Assembly	4
	60976-000	12K•12.5K 300 Rail		24	58937-000	Retaining Ring	4
a	60738-001	13.2K•14.6K 266 Rail		25	78320-000	Kingpin Bushing, <i>Replaces 58909-000</i>	4
b	60738-002	13.2K•14.6K 300 Rail			60961-043	<b>Thrust Bearing Service Kit, Axle Set</b> , Includes Kit Nos. 60961-041 & 60961-042	
3	64838-002L	Shock Absorber, <i>Replaces 64838-001L</i>	2		60961-041	<b>LH Composite Thrust Bearing Service Kit</b> , Includes Key Nos. 26, 28-30 & Loctite	
4	64241-001	Upper Shock Bracket	2		60961-042	<b>RH Roller Thrust Bearing Service Kit</b> , Includes Key Nos. 27-30 & Loctite	
	60961-072	<b>Front Leaf Spring Assembly Service Kit, One Side</b> , Includes Key Nos. 5, 13		26	77907-000S	LH Composite Thrust Bearing, <i>Replaces 59828-000</i>	1
5	64772-000	Leaf Spring Assembly with Bushings Includes Key No. 6 <i>Replaces 64485-000, 65215-000</i>	2	27	64256-000L	RH Roller Thrust Bearing	1
6		**Steel Galvanized Liner	2	28	58910-001	Kingpin Seal, <i>Replaces 58910-000</i>	4
7		*Front Spring Hanger	2	29	60236-001	3/8" Socket Head Cap Screw	4
8	64486-000	Inboard Spring Adapter, <i>Replaces 64162-000</i>	2	30		Kingpin Shim (As required)	
9	58258-009	M20 x 2.5-6G 230 mm Hex Bolt	2		60259-001	0.005" Thickness	4
		<b>LH Rear Shackle Bracket Service Kit, One Side</b> , Includes Key Nos. 10, 12-17			60259-002	0.047" Thickness	1
	60961-683	266 Frame Rail		Not Shown	60937-000	Loctite (Red) Compound Tube	1
	60961-684	300 Frame Rail		31	64246-000	ABS Sensor Sleeve	2
		<b>RH Rear Shackle Bracket Service Kit, One Side</b> , Includes Key Nos. 11-17		32		Tie Rod Assembly, Includes Key Nos. 33-35 <i>See Selection Guide on Page 8</i>	1
	60961-685	266 Frame Rail		33		**7/8" Castle Nut	2
	60961-686	300 Frame Rail				<b>Tie Rod End Service Kit, Axle Set</b> , Includes LH & RH Tie Rod End Service Kits, <i>See Selection Guide on Page 8</i>	
10		LH Rear Shackle Bracket w/Bushing (Cast Part No. 64153-001)	1			<b>LH Tie Rod End Service Kit</b> , Includes Key Nos. 34, 36-37, <i>See Selection Guide on Page 8</i>	
	64175-001	266 Frame Rail				<b>RH Tie Rod End Service Kit</b> , Includes Key Nos. 35-37, <i>See Selection Guide on Page 8</i>	
	64176-001	300 Frame Rail		34		LH Tie Rod End, <i>See Selection Guide on Page 8</i>	1
11		RH Rear Shackle Bracket w/Bushing (Cast Part No. 64153-002)	1	35		RH Tie Rod End, <i>See Selection Guide on Page 8</i>	1
	64175-002	266 Frame Rail		36	22962-007	7/8" Flat Washer	2
	64176-002	300 Frame Rail		37	17800-004	Tie Rod Nut Cotter Pin	2
	60961-034	<b>Shackle Bracket Service Kit, Axle Set</b> , Includes Key Nos. 12-17		38	60238-001	1/2"-13 UNC Square Head Bolt	2
12	64159-000	Thrust Washer	4	39	60240-000	1/2"-13 UNC Hex Jam Nut	2
13	64794-000	Shackle Plate, <i>Replaces 64158-000</i>	4	40	59952-017	Top Axle Wrap, <i>Replaces 59952-013 &amp; 59952-014</i>	2
14	58258-029	M20 x 2.5-6G 160 mm Hex Bolt, <i>Replaces 58258-008</i>	6	41	64722-003	Bottom Axle Wrap, <i>Replaces 64014-003 &amp; 60622-003</i>	2
15	58246-029	M20 Flat Washer, <i>Replaces 58246-009</i>	12		60961-185	<b>U-bolt Clamp Group Service Kit, One Side</b> , Includes Key Nos. 42-46 12K•12.5K and 13.2K•14.6K 366 mm Ride Height, 4 1/4" Drop 338 mm Ride Height, 5.36" Drop	
16	58259-003	M20 x 2.5-6H Locknut, <i>Replaces 58259-001</i>	6		60961-186	12K•12.5K, 338 mm Ride Ht., 4 1/4" Drop	
17	60631-000	Shackle Stop Spacer	2		60961-187	13.2K•14.6K, 338 mm Ride Ht., 4 1/4" Drop	
	60952-XXX	<b>STEERTEK Axle Assembly</b> , Includes Key Nos. 18-24, 26-27, 29-30, 32-43. <i>Contact Hendrickson Tech Services for Part Number</i>	1		60961-015	<b>Top/Bottom Axle Wrap Liner Service Kit</b> , One Side, Includes Key Nos. 42-43	
18		Axle & Kingpin Assembly, 70.9 KPI	1	42	60508-000	Top Axle Wrap Liner	2
	64905-001	12K•12.5K, 338/366 mm Ride Height, 4 1/4" Drop, <i>Replaces 59924-001</i>		43	59845-000S	Bottom Axle Wrap Liner	2
	64905-003	12K•12.5K, 338 mm Ride Ht., 5.36" Drop		44		M20 x 2.5-6G U-bolt • Vehicles built with <b>Pre'07</b> Engine, <i>See Page 7</i>	4
	64905-005	13.2K•14.6K, 338/366 mm Ride Ht., 4 1/4" Drop, <i>Replaces 59924-005</i>			65663-002	12K•12.5K and 13.2K•14.6K 366 mm Ride Ht., Bolt Length 275 mm	
	64905-007	13.2K•14.6K, 338 mm Ride Ht., 5.36" Drop			65663-003	12K•12.5K 338 mm Ride Ht., Bolt Length 225 mm	
19		LH Lower Steering Knuckle Assembly, Includes Key Nos. 25, 28	1		65663-004	13.2K•14.6K 338 mm Ride Ht., Bolt Length 255 mm	
a	58900-007	<190 Ackermann STD Hub, Includes Key No. 31					
a	58900-009	>190 Ackermann STD Hub, Includes Key No. 31					
b	58900-017	<190 Ackermann Unitized Hub					
b	58900-019	>190 Ackermann Unitized Hub					
20		RH Lower Steering Knuckle Assembly Includes Key Nos. 25, 28	1				
	58900-008	<190 Ackermann STD Hub, Includes Key No. 31					
	58900-010	>190 Ackermann STD Hub, Includes Key No. 31					
Not Shown	58900-018	<190 Ackermann Unitized Hub					
Not Shown	58900-020	>190 Ackermann Unitized Hub					
21		LH Upper Steering Knuckle Assembly Includes Key Nos. 25, 28	1				
	60903-011	338 mm Ride Ht.					
	60903-013	366 mm Ride Ht.					

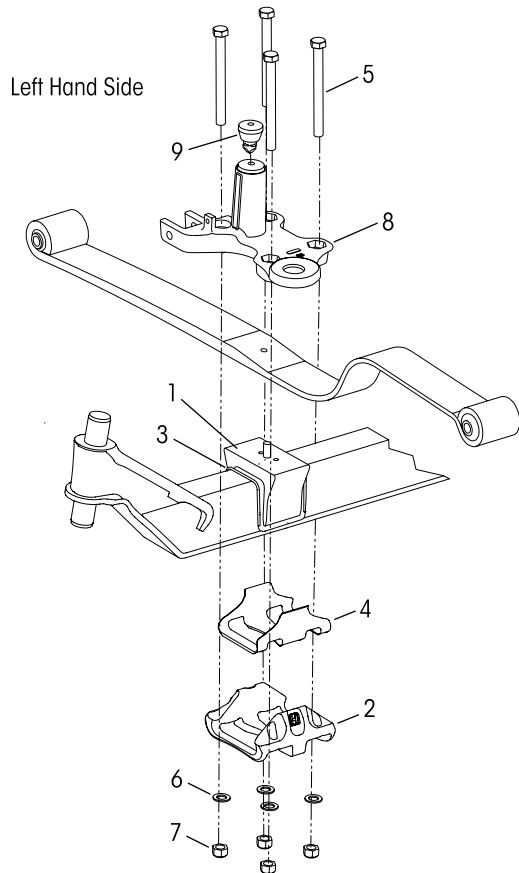


KEY NO.	PART NO.	DESCRIPTION	VEHICLE QTY.
45	58246-009	M20 Flat Washer	8
46	65072-001	M20 x 2.5-6H Nylocknut	8
47		LH Top Pad	1
	67266-001	• Vehicles built with <b>Pre'07</b> Engine, See Page 7 266 Frame Rail, <i>Replaces 64517-001, 64172-001L, 64725-001L, 65493-001L</i>	
	67300-001	300 Frame Rail, <i>Replaces 64173-001L, 64173-001L, 64727-001L, 65605-001L</i>	
48		RH Top Pad	1
	67266-002	• Vehicles built with Pre'07 Engine, See Page 7 266 Frame Rail, <i>Replaces 64517-002, 64172-002L, 64725-002L, 65493-002L</i>	
	67300-002	300 Frame Rail, <i>Replaces 64161-002, 64173-002L, 64727-002L, 65605-002L</i>	
49	64080-000	Rubber Axle Stop	2
50		LH Dowel Pin	1
		• Vehicles equipped with <b>dual</b> HCVs, built after 03/05	
	57159-004	366 mm Ride Height, 66.8 mm	
		• Vehicles equipped with a <b>single</b> HCV built prior to 03/05	
	57159-007	338 mm Ride Height, 79.5 mm	
	57159-012	338 mm Ride Height, 85.9 mm	
	57159-009	366 mm Ride Height, 107.2 mm	
	57159-013	366 mm Ride Height, 115 mm	

KEY NO.	PART NO.	DESCRIPTION	VEHICLE QTY.
51		RH Dowel Pin	1
		• Vehicles equipped with <b>dual</b> HCVs built after 03/05	
	57159-004	366 mm Ride Height, 66.8 mm	
		• Vehicles equipped with a <b>single</b> HCV built prior to 03/05	
	57159-004	338 mm Ride Height, 66.8 mm	
	57159-008	366 mm Ride Height, 94.8 mm	
52		LH Front Axle Spacer	1
		• Vehicles equipped with <b>dual</b> HCVs built after 03/05	
	64318-028	366 mm Ride Height, 28 mm	
		• Vehicles equipped with a <b>single</b> HCV built prior to 03/05	
	64318-012	338 mm Ride Height, 12 mm	
	64318-020	338 mm Ride Height, 20 mm	
	64318-040	366 mm Ride Height, 40 mm	
	64318-048	366 mm Ride Height, 48 mm	
53		RH Front Axle Spacer	1
		• Vehicles equipped with <b>dual</b> HCVs built after 03/05	
	64318-028	366 mm Ride Height, 28 mm	
54	64166-000	Air Spring Adapter for Top Pad 13.2K•14.6K Only	2

■ Vehicles built with STEERTEK axle and Pre'07 Engine

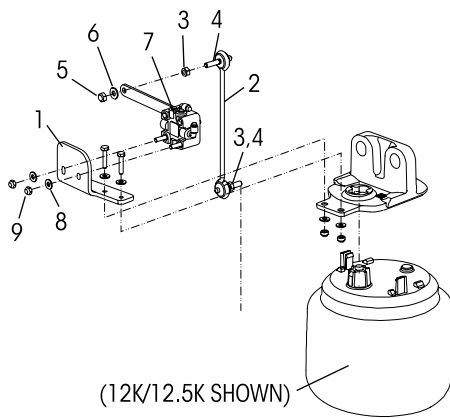
Top Pad with Straight Hex Bolt



KEY NO.	PART NO.	DESCRIPTION	VEHICLE QTY.
1	59952-017	Top Axle Wrap	2
2	64722-003	Bottom Axle Wrap	2
		<b>Straight Bolt Clamp Group Service Kit, One Side,</b> Includes Key Nos. 3-7	
		• Vehicles equipped with <b>dual</b> HCVs, Built after 03/05	
		12K•12.5K and 13.2K•14.6K	
	60961-035	338 mm Ride Ht.	
	60961-036	366 mm Ride Ht.	
		• Vehicles equipped with a <b>single</b> HCV, Built prior to 03/05	
	60961-035	12K•12.5K, 338 mm Ride Ht.	
	60961-036	12K•12.5K, 366 mm Ride Ht.	
	60961-037	13.2K•14.6K, 338 mm Ride Ht.	
	60961-038	13.2K•14.6K, 366 mm Ride Ht.	
3	60508-000	Top Axle Wrap Liner	2
4	59845-000S	Bottom Axle Wrap Liner	2
5		M20 x 2.5-6G Hex Bolt	8
		• Vehicles equipped with <b>dual</b> HCVs, Built after 03/05	
		12K•12.5K and 13.2K•14.6K	
	58258-007	338 mm Ride Ht., Bolt Length 220 mm	
	58258-011	366 mm Ride Ht., Bolt Length 250 mm	
		• Vehicles equipped with a <b>single</b> HCV, Built prior to 03/05	
		12K•12.5K	
	58258-009	338 mm Ride Ht., Bolt Length 230 mm	
	58258-010	366 mm Ride Ht., Bolt Length 260 mm	
		13.2K•14.6K	
	58258-007	338 mm Ride Ht., Bolt Length 220 mm	
	58258-011	366 mm Ride Ht., Bolt Length 250 mm	
6	58246-009	M20 Flat Washer	8
7	65072-001	M20 x 2.5-6H Nylocknut	8
8		Top Pad Assembly, (Pre '07 Engine Top Pads are obsolete. If top pad replacement is required, replace with current top pad and U-bolts, See Key Nos. 44,47,48)	2
9	64080-000	Rubber Axle Stop	2



■ Single Height Control Valve for Vehicles built prior to 03/05



KEY NO.	PART NO.	DESCRIPTION	VEHICLE QTY.
		Single HCV, Link Mount & Linkage Assembly, Includes Key Nos. 1-9	1
	64089-000L	12K•12.5K	
	64094-000L	13.2K•14.6K	
1	64480-000	Single Height Control Valve Bracket	1
	64481-000	12K•12.5K	
	59427-006	13.2K•14.6K	
	59427-006	Single Height Control Valve & Linkage Assembly, Includes Key Nos. 2-9	1
2	59428-004	Height Control Valve Linkage	1
3	64298-000	M8 x 1.25-6H Hexnut	2
4	59169-002	M8 Link Stud	2
5	64297-000	M8 x 1.25-6H Locknut	1
6	58246-034	M8 Flat Washer, <i>Replaces 58246-012</i>	1
7	59935-003	Height Control Valve	1
8	22962-052	¼" Flat Washer, <i>Replaces 22962-028</i>	2
9	77581-000	M6 Locknut, <i>Replaces 49983-000</i>	2

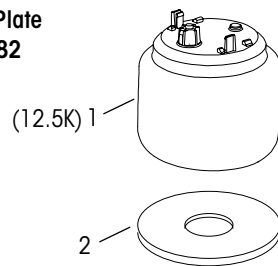
Dual Height Control Valve Conversion Service Kits are available to convert a single height control valve to dual height control valves configuration.

Dual Height Control Valve and Linkage Service Kit

60961-101	12K•12.5K Capacity
60961-102	13.2K•14.6K Capacity

■ Air Spring with Support Plate for Vehicles built between 03/05 and 06/07 equipped with dual height control valves

Air Spring with Support Plate Service Kit No. 60961-182



Vehicles built **BETWEEN** 03/05 and 06/07, equipped with dual height control valves **must use** Air Spring with Support Plate Service Kit No. 60961-182

KEY NO.	PART NO.	DESCRIPTION	VEHICLE QTY.
1	67304-002	Air Spring (12.5K)	1
2	67149-000	Support Plate	1



■ Tie Rod Selection Guide, Straight Tie Rods

	AXLE MODEL	ACKERMANN	TIE ROD ASSEMBLY PART NO.	TIE ROD END PART NO.	TIE ROD END SERVICE KIT NO.	
<b>12K•12.5K</b> <b>1 1/8" THREADS</b>	<b>Vehicles built AFTER January 2014</b>					
	STEEERTEK NXT	>190	76877-002	70995-001 (LH) 70995-002 (RH)	60961-734 (Axle Set) 60961-736 (LH) 60961-741 (RH)	
		<190	76877-005			
	<b>***Vehicles built PRIOR TO January 2014</b>					<b>TIE ROD ASSEMBLY REPLACEMENT PART NUMBER</b>
	STEEERTEK NXT STEEERTEK	>190	60239-002	Tie rod end kits are no longer available for these assembly numbers, requires complete tie rod assembly replacement.		76877-002
		<190	60239-005			76877-005
<b>13.2K•14.6K</b> <b>1 1/4" THREADS</b>	<b>Vehicles built AFTER January 2014</b>					
	STEEERTEK NXT	>190	76879-001	76876-001 (LH) 76876-002 (RH)	60961-735 (Axle Set) 60961-742 (LH) 60961-743 (RH)	
		<190	76879-002			
	<b>Vehicles built up to January 2014</b>					
	STEEERTEK NXT & STEERTEK	>190	64006-001	64002-001 (LH) 64002-002 (RH)	60961-011 (Axle Set) 60961-027 (LH) 60961-028 (RH)	
		<190	64006-002			

Hendrickson supplies different tie rod assemblies. Locate the tie rod assembly part number on the tie rod tube to help determine what tie rod end kit or complete tie rod assembly replacement to use for service.

**NOTE:** \* Not supplied by Hendrickson, used for reference only. Refer to the vehicle manufacturer for more information. Hendrickson is not responsible for components supplied by vehicle manufacturer. For assistance with maintenance and rebuild instructions on these components see vehicle manufacturer.

\*\* Item included in kit/assembly only, part not sold separately.

Hendrickson **AIRTEK Ride Height Gauges for Volvo Vehicles** can be obtained on-line at [www.hendrickson-intl.com/lifform](http://www.hendrickson-intl.com/lifform)

- Height Gauge AFTER July 2011 for 12K•12.5K•13.2K•14.6K Capacity – Literature. No. 45745-359
- Height Gauges PRIOR TO July 2011 for 12K•12.5K Capacity – Literature No. 45745-170 and 13.2K•14.6K Capacity – Literature No. 45745-195

This is a general parts list to provide directional information. Components may vary by model. Questions in regards to parts, contact Hendrickson Truck Parts at 1.866.755.5968 (Toll-free U.S. and Canada), 630.910.2800 (Outside U.S. and Canada) or e-mail: [truckparts@hendrickson-intl.com](mailto:truckparts@hendrickson-intl.com).

[www.hendrickson-intl.com](http://www.hendrickson-intl.com)



Truck Commercial Vehicle Systems  
800 South Frontage Road  
Woodridge, IL 60517-4904 USA

1.866.755.5968 (Toll-free U.S. and Canada)  
630.910.2800 (Outside U.S. and Canada)  
Fax 630.910.2899