

H SPECIFICATIONS

MAXILIFT® SUSPENSION SPECIFICATIONS

LIT NO: L885

DATE: August 2017

REVISION: B

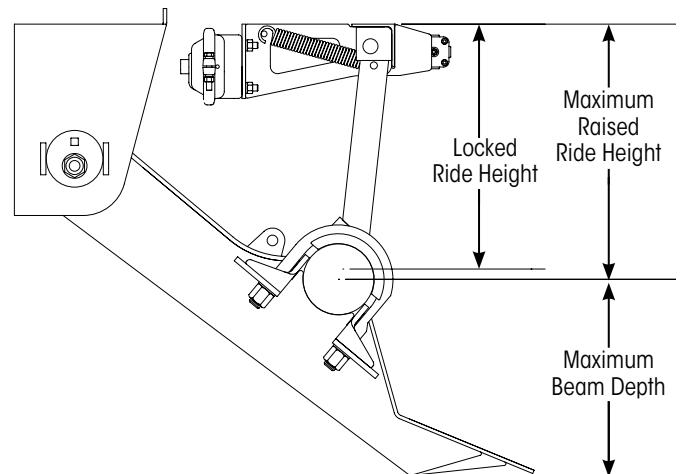
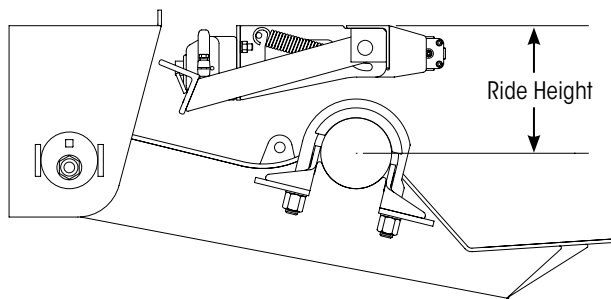
HT200UAM MAXILIFT SUSPENSION SPECIFICATIONS

SUSPENSION CAPACITY:	20,000 pounds (9,072 kg) at ride height 17,000 pounds (7,711 kg) with trailer lifted
APPLICATION:	Low-deck-height trailers that must be raised for loading and unloading at typical loading dock heights
TRAILER TYPES:	Specialty vans
AXLE COMPATIBILITY:	5-inch diameter round, 5/8-inch nominal wall with 7-inch S-cam brakes and 19.5-, 22.5- or 24.5-inch wheels (14.7-inch minimum loaded tire radius)
AXLE ARRANGEMENTS:	54-inch maximum axle spacing — tandem applications ONLY
TRAILER FRAME TYPES:	102-inch wide van

HT200UAM9-001 AND -002¹

RIDE HEIGHT (inches)	JOUNCE (inches)	REBOUND (inches)	MAXILOK® KIT ²	MAXIMUM RAISED RIDE HEIGHT (inches)	MAXIMUM BEAM DEPTH (inches)	LOCKED RIDE HEIGHT (inches)
9	2.5	10.2	AKL-207-4	18	13.8	17.3

1. The HT200UAM9-001 and -002 are both required for each trailer. The -001 is used as the front suspension and contains the height control valve mounting. The -002 is used as the rear suspension where the MAXILOK® is installed
2. A MAXILOK kit is required for each trailer (sold separately) — one kit per trailer





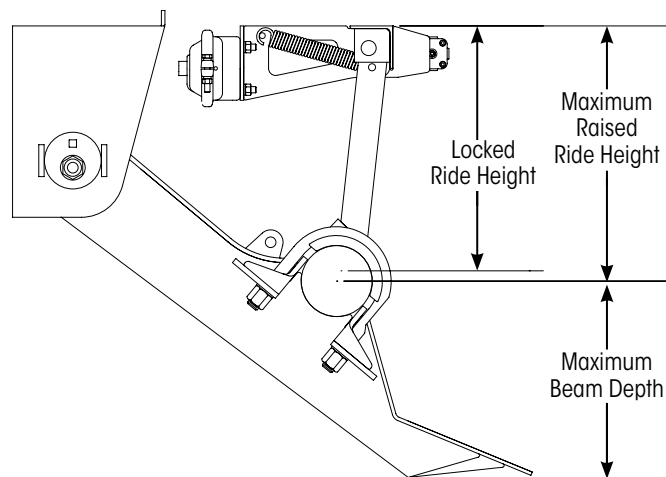
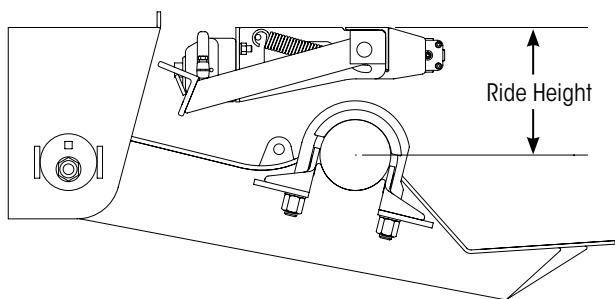
HT200M MAXILIFT SUSPENSION SPECIFICATIONS

SUSPENSION CAPACITY:	20,000 pounds (9,072 kg) at ride height 17,000 pounds (7,711 kg) with trailer lifted
APPLICATION:	Low-deck-height trailers that must be raised for loading and unloading at typical loading dock heights
TRAILER TYPES:	Specialty vans
AXLE COMPATIBILITY:	5-inch diameter round, 5/8-inch nominal wall with 7-inch S-cam brakes and 19.5-, 22.5- or 24.5-inch wheels (14.7-inch minimum loaded tire radius)
AXLE ARRANGEMENTS:	49-inch tandem axle spacing
TRAILER FRAME TYPES:	96- or 102-inch wide van

MODEL CHART

RIDE HEIGHT (inches)	SYSTEM HEIGHT* (inches)	JOUNCE (inches)	REBOUND (inches)	MAXIMUM RAISED RIDE HEIGHT (inches)	MAXIMUM BEAM DEPTH (inches)	LOCKED RIDE HEIGHT (inches)
9.25	18.5	2.6	10.2	18	13.8	17.3

*System height includes slider box



- HK200M slider / suspension system includes the axle locking mechanism
- AKL-182 air control system required (sold separately)

Call Hendrickson at **330.489.0045** or **866.RIDEAIR (743.3247)** for additional information.



www.hendrickson-intl.com

TRAILER COMMERCIAL VEHICLE SYSTEMS
 2070 Industrial Place SE
 Canton, OH 44707-2641 USA
 866.RIDEAIR (743.3247)
 330.489.0045 • Fax 800.696.4416

Hendrickson Canada
 250 Chrysler Drive, Unit #3
 Brampton, ON Canada L6S 6B6
 800.668.5360
 905.789.1030 • Fax 905.789.1033

Hendrickson Mexicana
 Circuito El Marqués Sur #29
 Parque Industrial El Marqués
 Pob. El Colorado, Municipio El Marqués,
 Querétaro, México C.P. 76246
 +52 (442) 296.3600 • Fax +52 (442) 296.3601