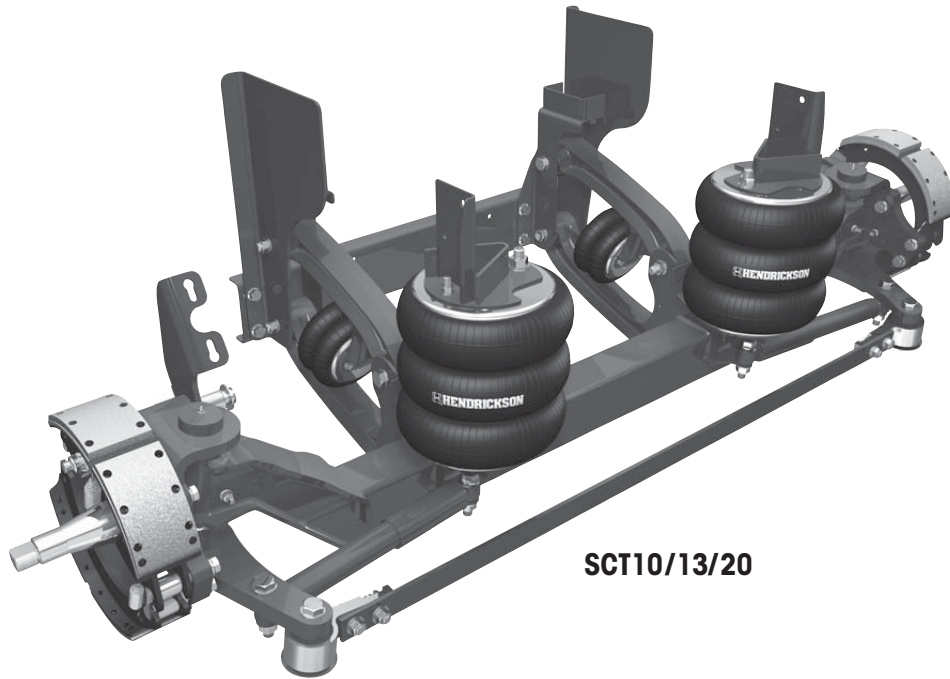


H PARTS LIST

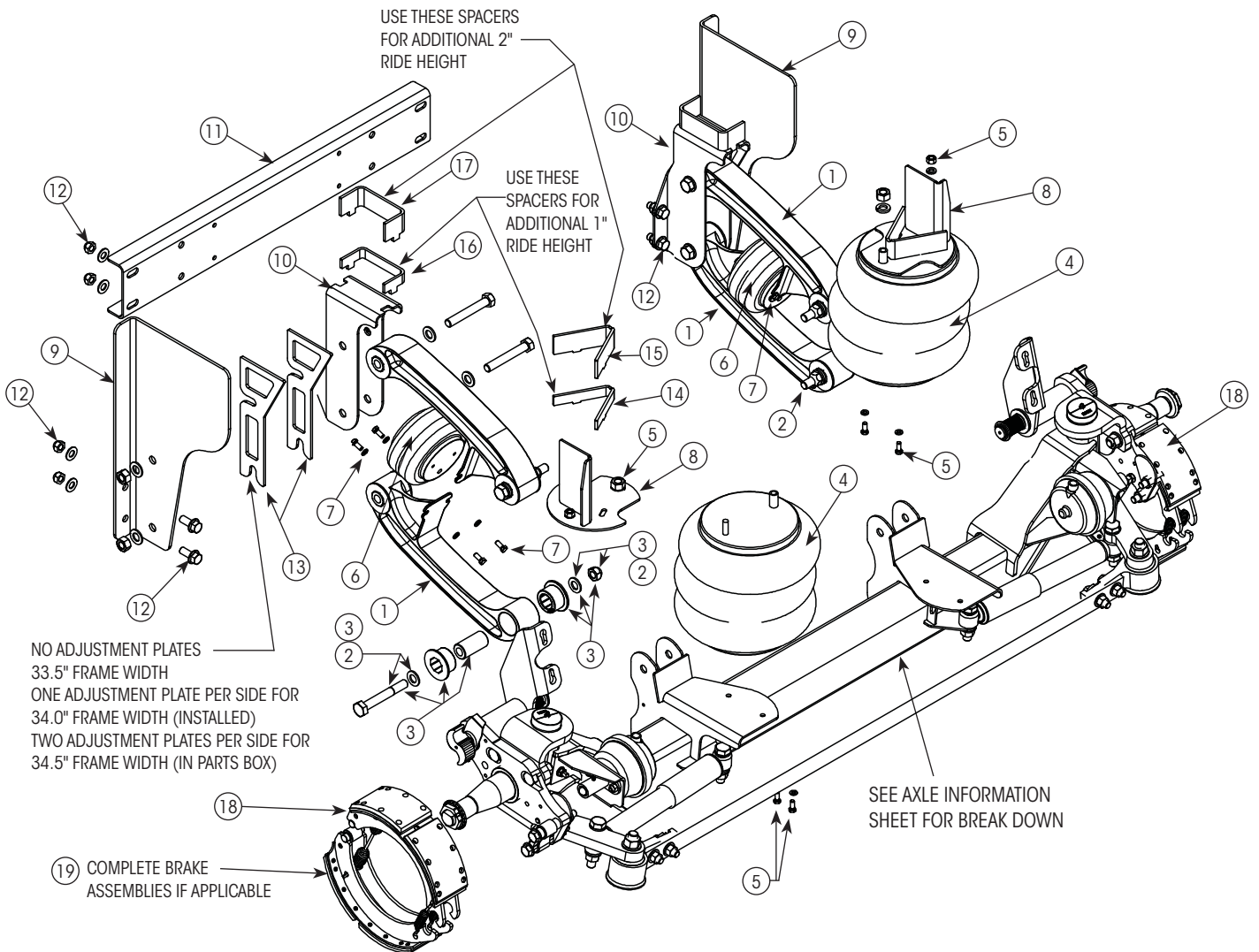
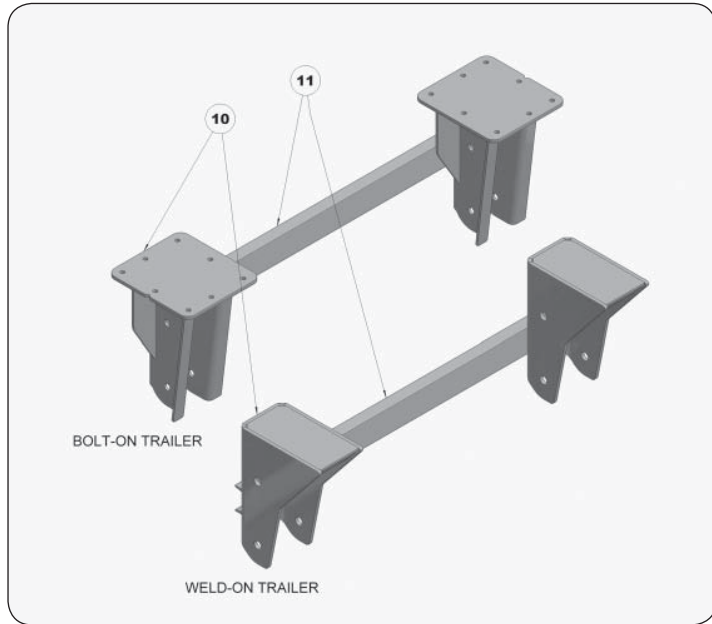
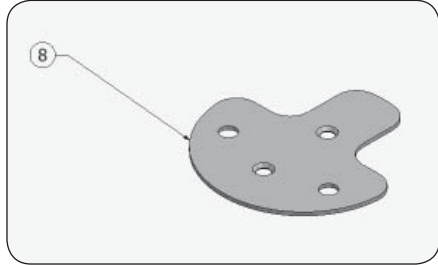
REPLACEMENT PARTS COMPOSITITE™ SC STEERABLE SUSPENSION SYSTEMS

LIT NO: H732

DATE: October 2011



SCT10/13/20





REPLACEMENT PARTS FOR AFTERMARKET SUSPENSIONS

ITEM	DESCRIPTION	YEARS OF SERVICE	SUSPENSION SERIES	TRUCK PREFIX	QTY.	PART NO.
1	BEAM ASSEMBLY	2010 - Present	SC 10K	SCT10	4	R-009690
		2010 - Present	SC10K ADJ	SCT10	4	R-009690
		2010 - Present	SC13K	SCT13	4	R-008940
		2010 - Present	SC13K ADJ	SCT13	4	R-008940
		2010 - Present	SC20K	SCT20	4	R-010125
		2010 - Present	SC 20K ADJ	SCT20	4	R-010125
2	PIVOT BOLT KIT	2010 - Present	SC 10K	SCT10	1	R-005009
		2010 - Present	SC10K ADJ	SCT10	1	R-007659
		2010 - Present	SC13K	SCT13	1	R-005009
		2010 - Present	SC13K ADJ	SCT13	1	R-007659
		2010 - Present	SC20K	SCT20	1	R-007040
		2010 - Present	SC 20K ADJ	SCT20	1	R-007961
3	BUSHING & PIVOT BOLT KIT	2010 - Present	SC 10K	SCT10	1	R-008839
		2010 - Present	SC10K ADJ	SCT10	1	R-008839-1
		2010 - Present	SC13K	SCT13	1	R-008839
		2010 - Present	SC13K ADJ	SCT13	1	R-008839-1
		2010 - Present	SC20K	SCT20	1	R-008839-2
		2010 - Present	SC 20K ADJ	SCT20	1	R-008839-3
4	RIDE SPRING	2010 - Present	SC 10K	SCT10	2	R-B-14487
		2010 - Present	SC10K ADJ	SCT10	2	R-B-14487
		2010 - Present	SC13K	SCT13	2	R-B-14487
		2010 - Present	SC13K ADJ	SCT13	2	R-B-14487
		2010 - Present	SC20K	SCT20	2	R-01346
		2010 - Present	SC 20K ADJ	SCT20	2	R-01346
5	RIDE SPRING BOLT KIT	2010 - Present	SC 10K	SCT10	2	R-007596
		2010 - Present	SC10K ADJ	SCT10	2	R-007596
		2010 - Present	SC13K	SCT13	2	R-007595
		2010 - Present	SC13K ADJ	SCT13	2	R-007596
		2010 - Present	SC20K	SCT20	2	R-01357
		2010 - Present	SC 20K ADJ	SCT20	2	R-01357
6	LIFT SPRING	2010 - Present	SC 10K	SCT10	2	R-005079
		2010 - Present	SC10K ADJ	SCT10	2	R-005079
		2010 - Present	SC13K	SCT13	2	R-005079
		2010 - Present	SC13K ADJ	SCT13	2	R-005079
		2010 - Present	SC20K	SCT20	2	R-010214
		2010 - Present	SC 20K ADJ	SCT20	2	R-010214
		1999 - Present	PST13 KIT ONLY	PST13	2	R-B-14486
7	LIFT SPRING BOLT KIT	2010 - Present	SC 10K	SCT10	1	R-A-1134
		2010 - Present	SC10K ADJ	SCT10	1	R-A-1134
		2010 - Present	SC13K	SCT13	1	R-A-1134
		2010 - Present	SC13K ADJ	SCT13	1	R-A-1134
		2010 - Present	SC20K	SCT20	1	R-A-1134
		2010 - Present	SC 20K ADJ	SCT20	1	R-A-1134
8	UPPER AIR SPRING PLATE	2010 - Present	SC 10K	SCT10	1	R-005065-1/-2
		2010 - Present	SC10K ADJ	SCT10	1	R-005065-1/-2
		2010 - Present	SC13K	SCT13	1	R-005065-1/-1
		2010 - Present	SC13K ADJ	SCT13	1	R-005065-1/-2
		2010 - Present	SC20K	SCT20	1	R-010040-1/-2
		2010 - Present	SC 20K ADJ	SCT20	1	R-010108-1/-2

NOTE: -1 Driver's Side, -2 Passanger's Side (Typical). Check page 3 for Inboard/Outboard clarification.

REPLACEMENT PARTS FOR AFTERMARKET SUSPENSIONS



TRUCK MOUNT

9 - 19

ITEM	DESCRIPTION	YEARS OF SERVICE	SUSPENSION SERIES	TRUCK PREFIX	QTY.	PART NO.
9	HANGER SIDE RAIL	2010 - Present	SC 10K	SCT10	1	R-008937-1/-2
		2010 - Present	SC10K ADJ	SCT10	1	R-008937-1/-2
		2010 - Present	SC13K	SCT13	1	R-008937-1/-2
		2010 - Present	SC13K ADJ	SCT13	1	R-008937-1/-2
		2010 - Present	SC20K	SCT20	1	R-010143-1/-2
		2010 - Present	SC 20K ADJ	SCT20	1	R-010143-1/-2
10	BUSHING SADDLE	2010 - Present	SC 10K	SCT10	1	R-008936-1/-2
		2010 - Present	SC10K ADJ	SCT10	1	R-008936-1/-2
		2010 - Present	SC13K	SCT13	1	R-008936-1/-1
		2010 - Present	SC13K ADJ	SCT13	1	R-008936-1/-2
		2010 - Present	SC20K	SCT20	1	R-010114-1/-2
		2010 - Present	SC 20K ADJ	SCT20	1	R-010114-1/-2
11	CROSS MEMBER	2010 - Present	SC 10K	SCT10	1	R-008938-1/-2/-3
		2010 - Present	SC10K ADJ	SCT10	1	R-008939
		2010 - Present	SC13K	SCT13		R-008938-1/-2/-3
		2010 - Present	SC13K ADJ	SCT13		R-008939
		2010 - Present	SC20K	SCT20	1	R-007041-1/-2/-3
		2010 - Present	SC 20K ADJ	SCT20	1	R-007944
12	CROSS MEMBER BOLT KIT	2010 - Present	SC 10K	SCT10	1	R-007677
		2010 - Present	SC10K ADJ	SCT10	1	R-007677
		2010 - Present	SC13K	SCT13	1	R-007677
		2010 - Present	SC13K ADJ	SCT13	1	R-007677
		2010 - Present	SC20K	SCT20	1	R-009046
		2010 - Present	SC 20K ADJ	SCT20	1	R-009046
13	FRAME WIDTH SPACERS	2010 - Present	SC10K ADJ	SCT10	2	R-007420
		2010 - Present	SC13K ADJ	SCT13	2	R-007420
		2010 - Present	SC 20K ADJ	SCT20	2	R-008299
14	1" RIDE HEIGHT SPRING SPACER	2010 - Present	SC10K ADJ	SCT10	2	R-007425-1
		2010 - Present	SC13K ADJ	SCT13	2	R-007425-1
		2010 - Present	SC 20K ADJ	SCT20	2	R-008340-1
15	2" RIDE HEIGHT SPRING SPACER	2010 - Present	SC10K ADJ	SCT10	2	R-007425-2
		2010 - Present	SC13K ADJ	SCT13	2	R-007425-2
		2010 - Present	SC 20K ADJ	SCT20	2	R-008340-2
16	1" RIDE HEIGHT SADDLE SPACER	2010 - Present	SC10K ADJ	SCT10	2	R-007417-1
		2010 - Present	SC13K ADJ	SCT13	2	R-007417-1
		2010 - Present	SC 20K ADJ	SCT20	2	R-008154-1
17	2" RIDE HEIGHT SADDLE SPACER	2010 - Present	SC10K ADJ	SCT10	2	R-007417-2
		2010 - Present	SC13K ADJ	SCT13	2	R-007417-2
		2010 - Present	SC 20K ADJ	SCT20	2	R-008154-2
18	QC BRAKE SHOE KIT	2010 - Present	SC 10K	SCT10	2	R-006097
		2010 - Present	SC10K ADJ	SCT10	2	R-006097
		2010 - Present	SC13K	SCT13	2	R-007442
		2010 - Present	SC13K ADJ	SCT13	2	R-007442
		2010 - Present	SC20K	SCT20	2	R-010112
		2010 - Present	SC 20K ADJ	SCT20	2	R-010112
19	COMPLETE BRAKE ASSEMBLY	2010 - Present	SC 10K	SCT10	1	R-005896-1/-2
		2010 - Present	SC10K ADJ	SCT10	1	R-005896-1/-2

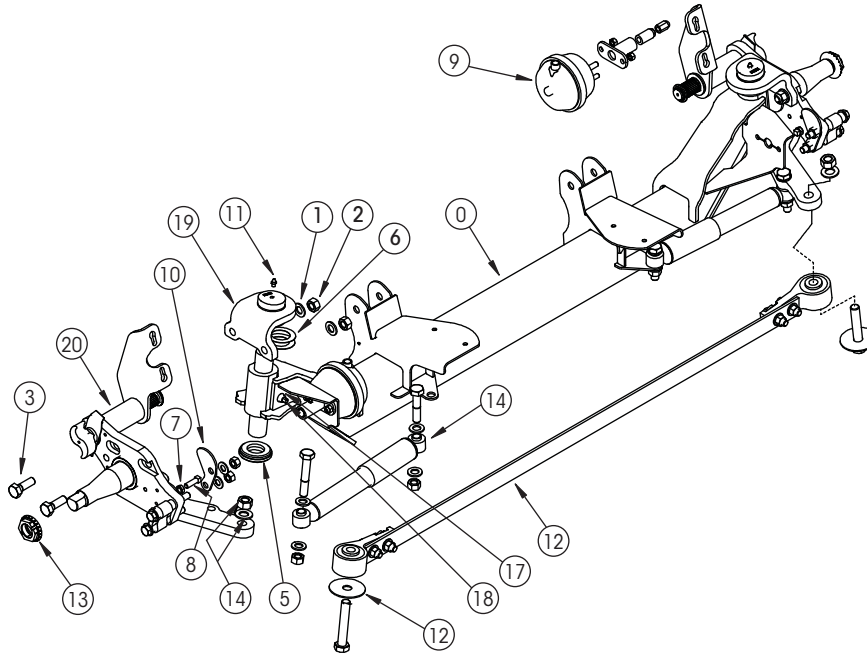
NOTE: -1 Driver's Side, -2 Passanger's Side (Typical). Check page 3 for Inboard/Outboard clarification.



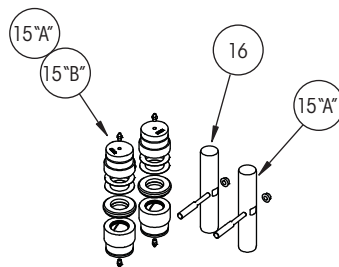
REPLACEMENT PARTS FOR AFTERMARKET SUSPENSIONS

ITEM	DESCRIPTION	YEARS OF SERVICE	SUSPENSION SERIES	TRAILER PREFIX	QTY.	PART NO.
1	BEAM ASSEMBLY	2010 - Present	SCW	SCW13	4	R-008940
		2010 - Present	SCB	SCB13	4	R-008940
2	PIVOT BOLT KIT	2010 - Present	SCW	SCW13	1	R-005009
		2010 - Present	SCB	SCB13	1	R-005009
3	BUSHING AND PIVOT BOLT KIT	2010 - Present	SCW	SCW13	1	R-008839
		2010 - Present	SCB	SCB13	1	R-008839
4	RIDE SPRING	2010 - Present	SCW	SCW13	2	R-001015
		2010 - Present	SCB	SCB13	2	R-001015
5	RIDE SPRING BOLT KIT	2010 - Present	SCW	SCW13	2	R-A-13075
		2010 - Present	SCB	SCB13	2	R-A-13075
6	LIFT SPRING	2010 - Present	SCW	SCW13	2	R-005079
		2010 - Present	SCB	SCB13	2	R-005079
7	LIFT SPRING BOLT KIT	2010 - Present	SCW	SCW13	1	R-A-1134
		2010 - Present	SCB	SCB13	1	R-A-1134
8	UPPER AIR SPRING PLATE	2010 - Present	SCW	SCW13	2	R-005168
		2010 - Present	SCB	SCB13	2	R-005168
9	2 SADDLES AND CROSSMEMBER WELDMENT	2010 - Present	SCW	SCW13	1	R-005021
		2010 - Present	SCB	SCB13	1	R-005503
10	BUSHING SADDLE	2010 - Present	SCW	SCW13	X	R-005020
		2010 - Present	SCB	SCB13	X	R-005502-1/-2
11	CROSS MEMBER	2010 - Present	SCW	SCW13	1	R-002948-30
		2010 - Present	SCB	SCB13	1	R-002948-30
Note: 12...17 N/A						
18	QC BRAKE SHOE KIT	2010 - Present	SCW	SCW13	2	R-007442
		2010 - Present	SCB	SCB13	2	R-007442
19	COMPLETE BRAKE ASSEMBLY	2010 - Present	SCW	SCW13	X	N/A
		2010 - Present	SCB	SCB13	X	N/A

NOTE: -1 Driver's Side, -2 Passanger's Side (Typical). Check page 3 for Inboard/Outboard clarification.



MODEL PREFIX SC...



R-010300 w/ KINGPIN
DRAW KEY and NUT

R-010300-1 w/out
KINGPIN DRAW KEY
and NUT



REPLACEMENT PARTS FOR AFTERMARKET SUSPENSIONS

ITEM	DESCRIPTION	SUSPENSION SERIES	MODEL PREFIX	QTY.	PART NO.
1	UPPER KING PIN WASHERS	SC	SCT13	4	R-6212H2H
		SC	SCT20	4	R-6214H2H
2	UPPER KING PIN NUTS	SC	SCT10	12	R-6009CH2LC
		SC	SCT13	4	R-6012CH2LC
		SC	SCT20	4	R-6014CH2LC
3	BACKBONE BOLTS, SHORT	SC	SCT10	6	R-6109C200H4H8
		SC	SCT13	4	R-6112C225H4H8
		SC	SCT20	4	R-6114C300H4H8
4	BACKBONE BOLTS LONG	SC	SCT10	6	R-6109C300H4H8
5	THRUST BEARING INCLUDED WITH KINGPIN KIT	SC	SCT10	2	R-001620
		SC	SCT13	2	R-001620
		SC	SCT20	2	R-001620
6	SHIMS INCLUDED WITH KINGPIN KIT	SC	SCT10	4	R-001764-1
		SC	SCT13	4	R-001764-1
		SC	SCT20	4	R-001764-1
7	TURN STOP JAM NUT	SC	SCT13	2	R-6008CH2JC
		SC	SCT20	2	R-6008CH2JC
8	TURN STOP SCREW	SC	SCT13	2	R-6108C125H4S8
		SC	SCT20	2	R-6108C150H4S8
9	LOCK STRAIGHT KIT (OPTIONAL)	SC	SCT13	1	R-002600-2
		SC	SCT20	1	R-010116
10	LOCK STRAIGHT TARGET (OPTIONAL)	SC	SCT13	2	R-008495
11	KINGPIN CAP OR ZERK FITTING	SC	SCT10	4	R-002804
		SC	SCT13	4	R-002804
		SC	SCT20	4	R-002804
12	TIE ROD ASSEMBLY	SC	SCT10	1	R-009889
		SC	SCT13	1	R-009426
		SC	SCT20	1	R-009989
13	SPINDLE NUT	SC	SCT10	2	R-003269
		SC	SCT13	2	R-003269
		SC	SCT20	2	R-005142
14	STABILIZER KIT	SC	SCT10	1	R-009596
		SC	SCT13	1	R-009596 *
		SC	SCT20	1	R-009580

ITEM 14* R-009580 Ride Height A/B

REPLACEMENT PARTS FOR AFTERMARKET SUSPENSIONS



ITEM	DESCRIPTION	SUSPENSION SERIES	MODEL PREFIX	QTY.	PART NO.	
					A	B
15	KINGPIN BUSHING KIT	SC	SCT10	1	R-010300	R-010300-1
	WITH KINGPIN "A"	SC	SCT13	1	R-010300	R-010300-1
	KINGPIN BUSHING KIT WITHOUT KINGPIN "B"	SC	SCT20	1	R-010300	R-010300-1
16	REPLACEMENT KINGPIN	SC	SCT10	2	R-006303	
		SC	SCT13	2	R-006303	
		SC	SCT20	2	R-006303	
17	DRAW KEY	SC	SCT10	2	R-008670	
		SC	SCT13	2	R-008670	
		SC	SCT20	2	R-008670	
18	DRAW KEY NUT	SC	SCT10	2	R-6007FH4FC	
		SC	SCT13	2	R-6007FH4FC	
		SC	SCT20	2	R-6007FH4FC	
19	UPPER KINGPIN CONNECTION	SC	SCT10	1 EA	R-006011-1/-2	
		SC	SCT13	1 EA	R-009692	
		SC	SCT20	1 EA	R-009957	
20	CURRENT KNUCKLE BACKBONE	SC	SCT10	1 EA	R-009897-1/-2	
		SC	SCT13	1 EA	R-009598-1/-2	
		SC	SCT20	1 EA	R-009951-1/-2	

NOTE: -1 Driver's Side, -2 Passenger's Side (Typical). Check page 3 for Inboard/Outboard clarification.

AXLE ASSEMBLIES

15 - 20

www.hendrickson-intl.com



Specialty Products – Auxiliary Axle Systems
 277 North High Street
 Hebron, OH 43025 USA
 740.929.5600
 Fax 740.929.5601

Specialty Products – Auxiliary Axle Systems
 250 Chrysler Drive, Unit #3
 Brampton, ON L6S 6B6 Canada
 905.789.1030
 Fax 905.789.1033