

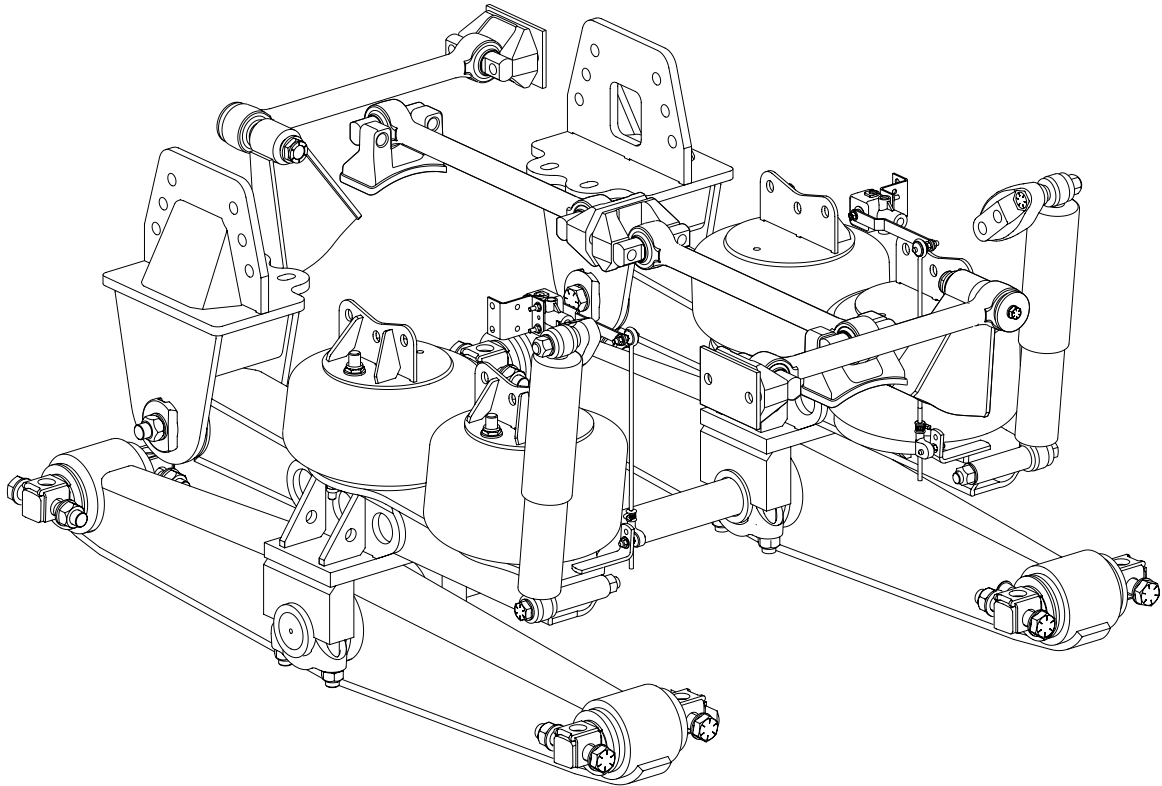
H PARTS LIST

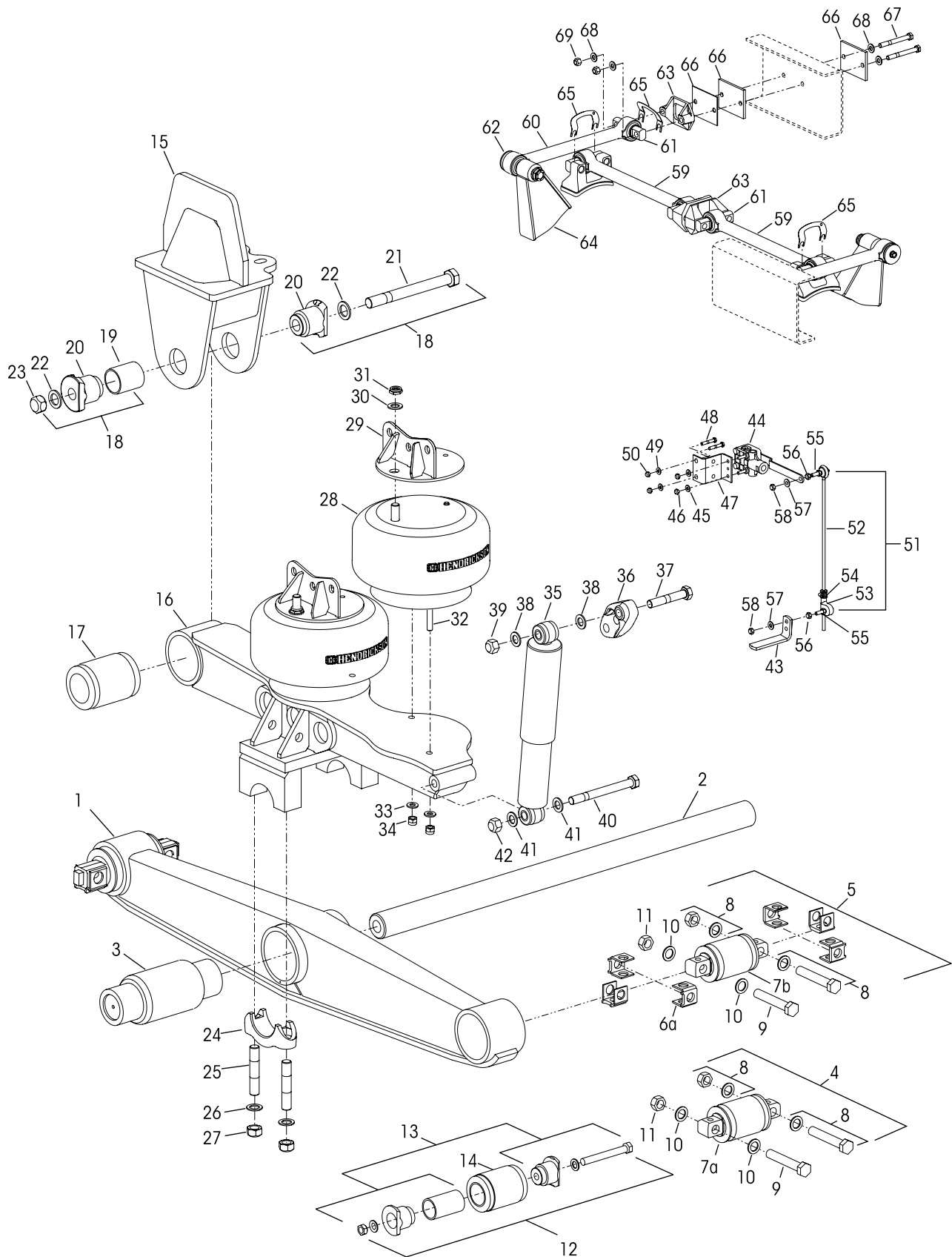
AR2™ 40K • 46K Rear Air Suspension

LIT NO: SP-177

DATE: February 2017

REVISION: E







			VEHICLE				VEHICLE
KEY NO.	PART NO.	DESCRIPTION	QTY.	KEY NO.	PART NO.	DESCRIPTION	QTY.
1		Equalizing Beam Assembly <i>See Selection Guide 45745-147</i>	2	23	08017-000	1"-14 UNS Locknut	2
2	44643-009L	Cross Tube 44 ⁷ / ₈ ", (If converted from RT/RTE suspension, refer to Lit. No. SP-168 Parts List)	1	24	58795-000	Saddle Cap	4
3		Rubber Center Bushing <i>See Center Bushing End Plug chart on Page 4</i>	2	25	06696-000	⁷ / ₈ "-14 UNF Saddle Cap Stud	8
	49400-000L	AR2 40K Welded End Plug		26	22962-002	⁷ / ₈ " Hardened Washer	8
	49600-000L	AR2 40K w/Loose End Plug		27	04842-000	⁷ / ₈ "-14 UNF Locknut	8
	29483-005L	AR2 46K Welded End Plug		28		Air Spring Assembly	
	34013-097	AR2 46K w/Loose End Plug			65455-002L	Forward	2
		Bar Pin End Bushing Service Kit, One Wheel End			65652-002L	Rear	2
4	34013-087L	Non-Shim Type, Includes Key No. 7a, 8		29		Air Spring Bracket	
5	34013-088L	Shim Type, Includes Key Nos. 6a, 7b, 8			65426-000	Forward	2
	34013-188L	Rotating Bar Pin (Not Shown), Shim Type, Includes Key Nos. 6a, 7c, 8			65680-000	Rear	2
6		Bar Pin Shim	8		49177-017	Air Spring Fasteners Service Kit, Axle Set, Includes Key Nos. 30-34	
a	50131-000	0.25" / 0.12" Standard		30	22962-001	³ / ₄ " Hardened Washer	4
b	50130-000	0.19" / 0.19" Optional		31	17700-031	³ / ₄ "-16 UNF Nylocknut	4
c	57026-000	0.375" flat shim		32	65999-000	¹ / ₂ "-13 UNC x 2 ¹ / ₂ " Stud, <i>Replaces 65454-000</i>	8
7		*Bar Pin End Bushing	4	33	22962-011	¹ / ₂ " Hardened Washer	8
a		Non-Shim Type		34	17700-010	¹ / ₂ "-13 UNC Nylocknut	8
b		Shim Type		35	60665-012L	Shock Absorber	2
c		Rotating Bar Pin, Shim Type (Not Shown)			50754-013	Single Upper Shock Bracket and Fastener Service Kit, Includes Key Nos. 36-39	2
8	34013-104	Bar Pin End Bushing Fastener Kit, One Wheel End, Includes Key Nos. 9-11		36	67463-001	Shock Bracket, <i>Replaces 65000-001</i>	2
9		*1"-8 UNC x 6" Hex Bolt	8	37	50764-010	³ / ₄ "-10 UNC x 4 ³ / ₄ " Bolt	2
10		*1" Hardened Washer	16	38	22962-001	³ / ₄ " Hardened Washer	2
11		*1"-8 UNC Locknut	8	39	49842-000	³ / ₄ "-10 UNC Locknut	2
12		End Bushing and Adapter Style Service Kit, One Wheel End			50754-018	Lower Shock Fastener Service Kit, Axle Set, Includes Key Nos. 40-42	
	34013-049L	AR2 40K, Includes Key Nos. 13a, 14		40	50764-013	³ / ₄ "-10 UNC x 7 ¹ / ₂ " Bolt	2
	34013-073L	AR2 46K, Includes Key Nos. 13b, 14		41	22962-001	³ / ₄ " Hardened Washer	4
13		Adapter Style Fastener Service Kit, One Wheel End		42	49842-000	³ / ₄ "-10 UNC Locknut	2
a	45000-007L	AR2 40K		43	65427-000	Lower HCV Bracket	2
b	21140-034L	AR2 46K			57977-000	Height Control Valve Assembly, Includes Key Nos. 44-47	2
14	45900-000L	Rubber End Bushing	4	44	60501-000	Height Control Valve	2
15		LH Frame Hanger Assembly - Blank	1	45		* ¹ / ₄ " Hardened Washer	4
	65461-001	33.94-34.19" Frame Width		46		* ¹ / ₄ "-20 UNC Locknut	4
	65461-003	34.25-34.50" Frame Width		47		*Height Control Valve Bracket	1
	65461-005	34.56-34.81" Frame Width			57430-004	Height Control Valve Bracket Fastener Service Kit, Includes Key Nos. 48-50	
		RH Frame Hanger Assembly - Blank (Not Shown)	1	48	58035-004	³ / ₈ "-16 UNC x 1 ¹ / ₄ " Bolt	4
	65461-002	33.94-34.19" Frame Width		49	22962-015	³ / ₈ " Hardened Washer	4
	65461-004	34.25-34.50" Frame Width		50	17700-006	³ / ₈ "-16 UNC Nylocknut	4
	65461-006	34.56-34.81" Frame Width		51	58994-001	Height Control Valve Linkage Assembly Includes Key Nos. 52-58	2
16		Trailing Arm Assembly, Includes Key Nos. 17, 24-27		52		*Linkage Extension Rod	2
		• Left Hand	1	53		*Adj. Valve Arm Joint	2
	65655-001	AR2 40K - 9 ¹ / ₂ "		54		*Valve Arm Clamp	2
	65655-003	AR2 40K - 10 ¹ / ₂ "		55		* ⁵ / ₁₆ "-18 UNC Stud	4
	65655-005	AR2 46K - 9 ¹ / ₂ "		56		* ⁵ / ₁₆ "-18 UNC Jam Nut	4
	65655-007	AR2 46K - 10 ¹ / ₂ "		57		* ⁵ / ₁₆ " Hardened Washer	4
		• Right Hand	1	58		* ⁵ / ₁₆ "-18 UNC Locknut	4
	65655-002	AR2 40K - 9 ¹ / ₂ "		59		**One-piece ULTRA ROD® PLUS™ Longitudinal Torque Rod Assembly Straddle/Straddle, Specify Length in mm, Includes Key No. 61a	
	65655-004	AR2 40K - 10 ¹ / ₂ "			72000-XXX	Front	1
	65655-006	AR2 46K - 9 ¹ / ₂ "			72001-XXX	Rear	1
	65655-008	AR2 46K - 10 ¹ / ₂ "		60		***One-piece Transverse Torque Rod Assembly Straddle/Taper, Specify Length in mm	2
		Trailing Arm Bushing Service Kit, One Beam End, Includes Key Nos. 17-18			72350-XXX	ULTRA ROD PLUS, Includes Key Nos. 61a-62a	
	34013-111L	AR2 40K			92350-XXX	XTRB, Includes Key Nos. 61b-62b	
	34013-112L	AR2 46K		61		Straddle Bushing	6
17		Trailing Arm Bushing	2	a	64400-002L	ULTRA ROD PLUS	
	45900-000L	AR2 40K		b	66649-002L	XTRB	
	29878-001L	AR2 46K		62		Taper Bushing	2
18	21140-053L	AR2 Adapter Assembly, Includes Key Nos. 19-23	2	a	64400-004L	ULTRA ROD PLUS	
19	45289-003	Adapter Tube	2	b	66649-004L	XTRB	
20	45871-000	Beam End Adapter	4				
21	30550-005	1"-14 UNS x 9 ³ / ₄ " Bolt	2				
22	22962-008	1" Hardened Washer	4				

KEY NO.	PART NO.	DESCRIPTION	VEHICLE QTY.	KEY NO.	PART NO.	DESCRIPTION	VEHICLE QTY.
		**Two-Piece Torque Rod Assembly with Bushings Service Kit		66		Torque Rod Back-up Plate	As Req.
	65781-000	ULTRA ROD PLUS Straddle/Taper			45045-001	1/8" Thickness	
	65781-001	XTRB Straddle/Straddle			45045-002	1/4" Thickness	
	65781-002	XTRB Straddle/Taper			45045-003	3/8" Thickness	
63	22186-000	Torque Rod Bracket	4	67	32043-019	5/8"-11 UNC x 5 1/2" Bolt	4
64		Torque Rod Axle Bracket	2	68	22962-004	5/8" Hardened Flat Washer	8
	46868-000	For Meritor Axle		69	47764-000	5/8"-11 UNC Locknut	4
	48042-000	For Dana Axle			70867-001	P-80 Lubricant - 10 ml (Not Shown)	Per Bushing
65	49689-000L	Torque Rod Shim (As Required)		70	65202-001	Pressure Protection Valve, <i>See plumbing diagram</i>	1
				71	66029-000	In Cab Air Dump Switch, <i>See plumbing diagram</i>	1
				72	48940-000	In Cab Air Switch Plate (Not Shown)	1

NOTE: * Item included in assembly/kit only, part not sold separately.

** Hendrickson's part number is stamped on the torque rod for identification. Be sure to include the suffix number when ordering, this number indicates torque rod length. Hendrickson's two-piece ULTRA ROD PLUS can be used to create the desired length, see literature number 45745-148.

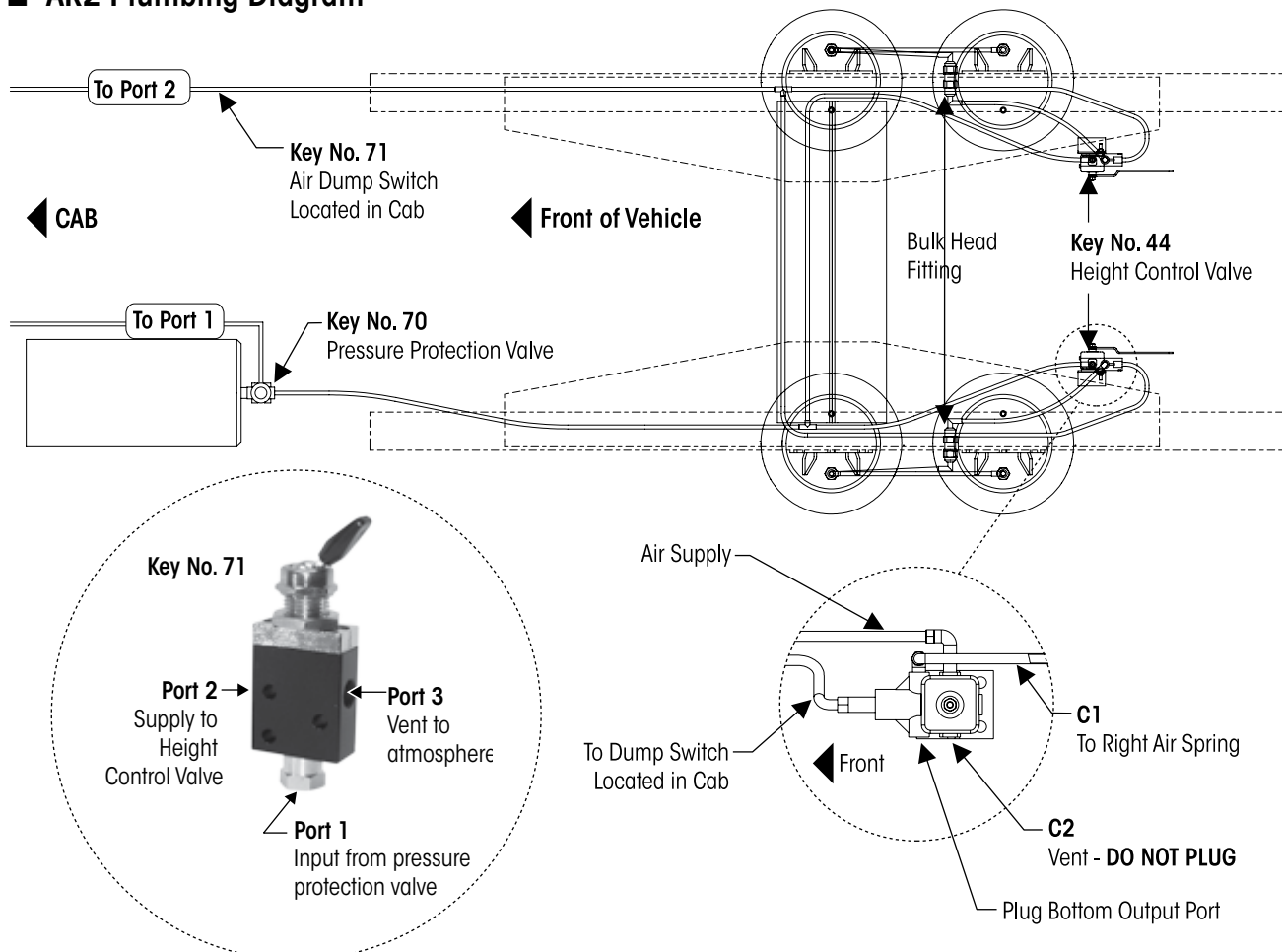
*** Transverse torque rods are mandatory with the AR2 Suspension regardless of axle spacing and require rubber center bushings.

KEY NO. 3

Corresponding Center Bushing End Plug for Cross Tube Replacement

Capacity	Rubber Center Bushing	End Plug Part Number
40K	49600-000L • 49400-000L	22281-000
46K	34013-097L • 29483-005L	

AR2 Plumbing Diagram





■ **Special Tools**

BAR PIN STYLE END BUSHING TOOLS

INSTALLATION TOOL

Hendrickson Part No. 66086-103

OTC Part No. 1757

Visit otctools.com



Use with the equalizing beam removed from the truck, and in conjunction with OTC No. 51100 press plate and a 100-ton hydraulic shop press.

REMOVAL TOOLS

Hendrickson Part No. 66086-104

OTC Part No. 206457

Visit otctools.com



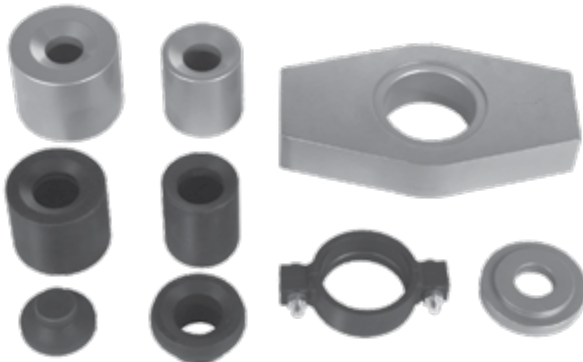
Hendrickson Part No. 66086-105

OTC Part No. 302030

Visit otctools.com



ADAPTER STYLE END BUSHING TOOL SET • CENTER BUSHING • TRAILING ARM BUSHING



28K-52K lb. Capacity Bushings

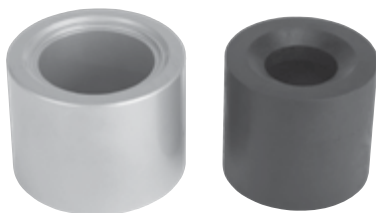
Hendrickson Part No. 66086-102

OTC Part No. 1764

Visit otctools.com

Use with the beam removed from the truck and a 100-ton or larger hydraulic shop press.

CENTER BUSHING TOOLS



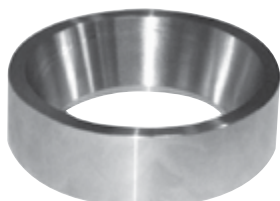
40K lb. Capacity Rubber Bushings

Hendrickson Part No. 66086-100

OTC Part No. 1746

Visit otctools.com

ULTRA ROD PLUS TORQUE ROD BUSHING FUNNEL TOOL



Hendrickson Part No. 66086-000L

This is a general parts list to provide directional information. Components may vary by model. Questions in regards to parts, contact Hendrickson Truck Parts at 1.866.755.5968 (Toll-free U.S. and Canada), 1.630.910.2800 (Outside U.S. and Canada) or e-mail: truckparts@hendrickson-intl.com.

www.hendrickson-intl.com



Truck Commercial Vehicle Systems
800 South Frontage Road
Woodridge, IL 60517-4904 USA

1.866.755.5968 (Toll-free U.S. and Canada)
1.630.910.2800 (Outside U.S. and Canada)
Fax 1.630.910.2899