

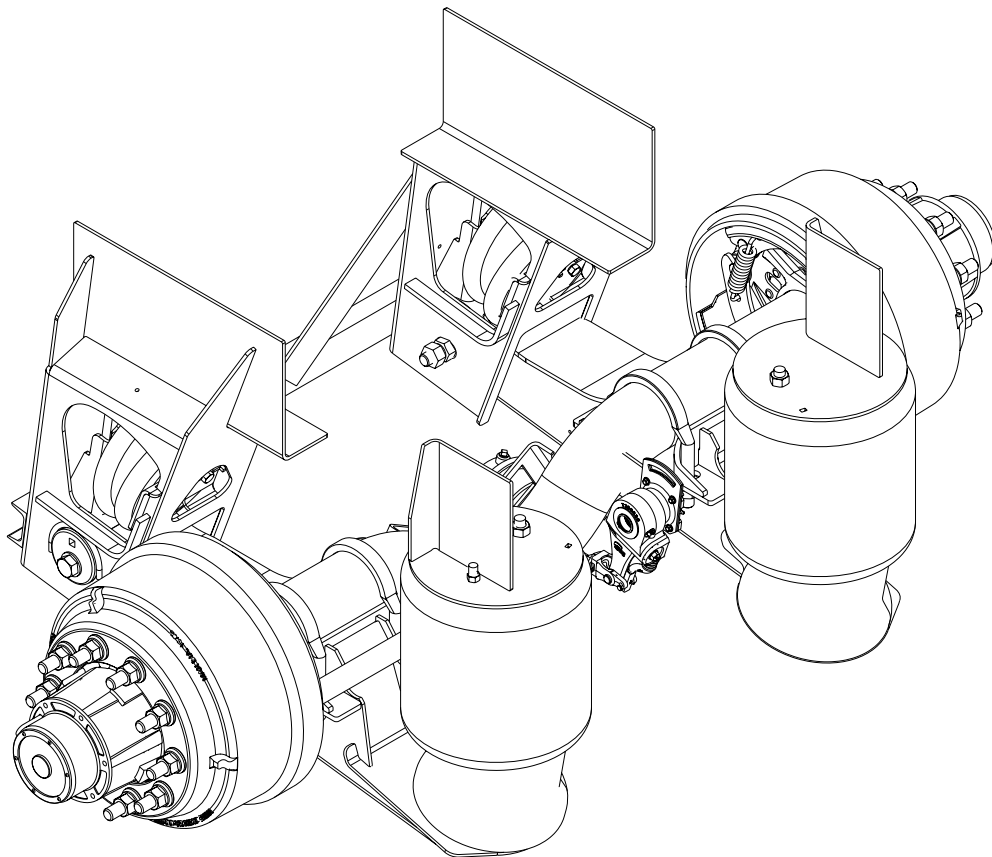
H PARTS LIST

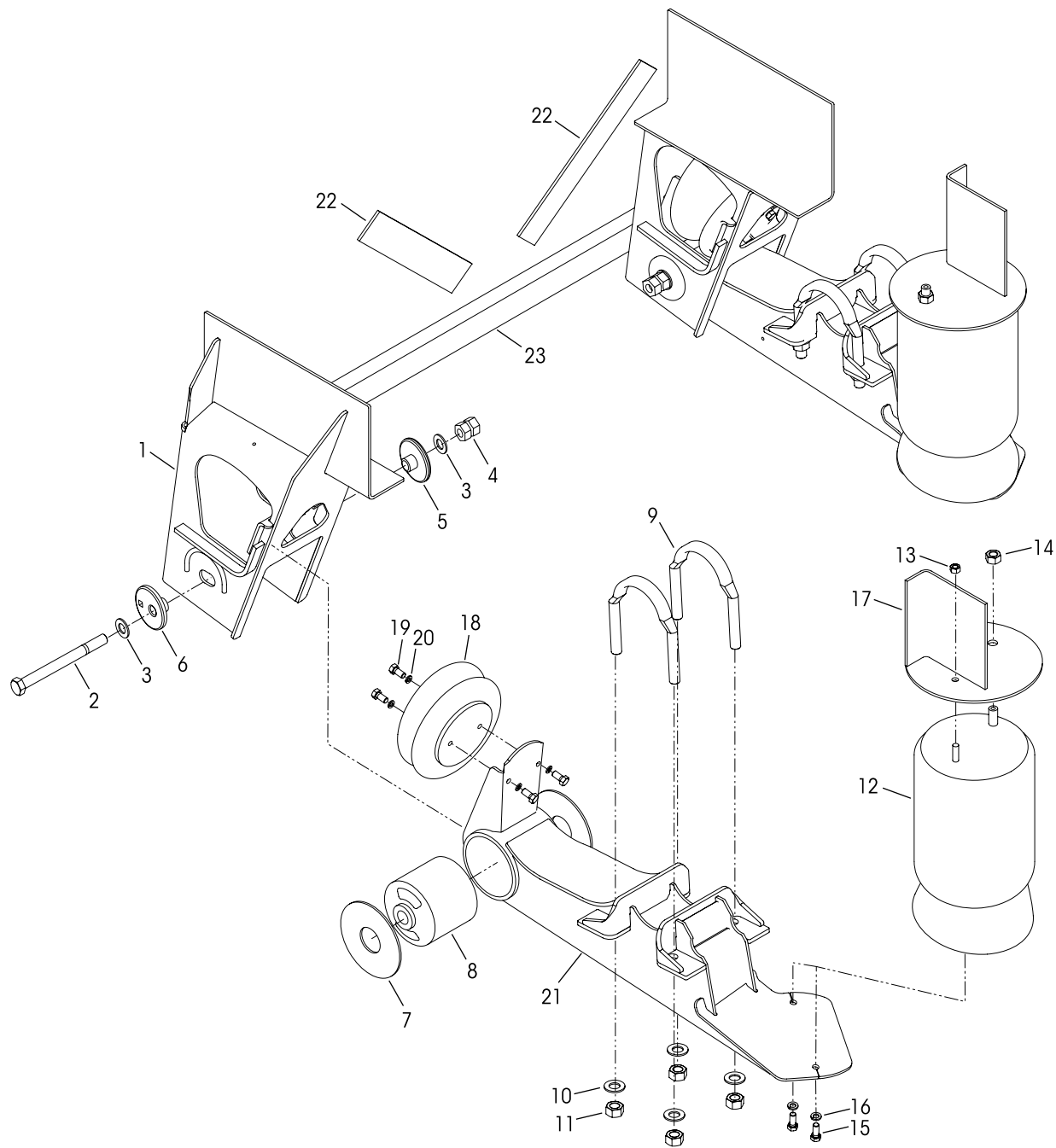
TOUGHLIFT™ FM Truck Mount
(Formerly known as HLM-2)

LIT NO: PL-H683

DATE: March 2015

REVISION: B







ITEM	PART NO.	DESCRIPTION	NO.REQ.	ITEM	PART NO.	DESCRIPTION	NO.REQ.
1	R-001640-1/-2	Frame Hanger Assembly	1 EA		R-A-1981	Ride Air Spring Fastener Kit, Includes Item Nos. 13-16	1
	R-004588	Pivot Bolt, Wear Pads and Bushing Kit, Includes Item Nos. 2-8, 24	2	13		**½"-13 Hex Nut Zinc Gr B	2
	R-A-21116	Pivot Bolt Kit, Includes Item Nos. 2-6	2	14		**¾"-16 Hex Nut Zinc Gr B	2
2		**7/8"-9 X 10" Heavy Hex Screw	2	15		**½"-13 X 1.25" Hex Bolt Phos Gr 5	4
3		**7/8" Harden Steel Washer	4	16		**½" Lock Washer Zinc Reg	4
4	R-A-15122	QUIK-ALIGN Service Nut	2	17	R-001951-1/-2	Upper Air Spring Assembly	1 EA
5		**QUIK-ALIGN Concentric Collar	2	18	R-B-14318	Lift Spring	2
6		**QUIK-ALIGN Eccentric Collar	2		R-A-2849	Lift Spring Fastener Kit, Includes Item Nos. 19-20	2
7	R-B-11613	Wear Pad	4	19		**¾"-16 X 1.00" Hex Bolt Phos Gr 5	4
8	R-C-3558	Tri-functional Bushing	2	20		**¾" Lock Washer Zinc Reg	4
	R-006362	U-bolt Kit, Includes Item Nos. 9-11	1	21	R-001907-1/-2	Beam Assembly	1 EA
9		**U-bolt w/Coined Radius Grade 8	4	22	R-002519-319	0.25 x 3" x 18" Tab Plt	2
10		**7/8" Narrow Washer Zinc Yellow RC40-45	8	23	R-002948-19	3" x 41" C-Channel	1
11		**7/8"-14 Hex Nut Zinc Gr C	8	24		**Bushing Lubricant - 2 oz. (not shown)	1
12	R-B-14249	Ride Spring	2				

NOTES * Quantities specified are shown per suspension. Quantities of service kit components may vary from amount shown in list, refer to the following service kit pages to confirm item quantities.

** Item included in assembly / kit only, part not sold separately.

*** Some components are determined by model specification, such as axles, brakes, and brake chambers. If the component is not listed, contact Hendrickson Auxiliary Axle Systems with the lift axle model/serial number.



***SERVICE KITS**

Service Kit No.	Pivot Bolt, Wear Pads and Bushing Kit	Service Kit No.	Pivot Bolt Fasteners Kit	Service Kit No.	U-bolt Fasteners Kit	
R-004588		R-A-21116		R-006362		
ITEM	CONTENTS	QTY.	ITEM	CONTENTS	QTY.	
1	7/8"-9 X 10" Heavy Hex Screw	1	1	7/8"-9 X 10" Heavy Hex Screw	1	
2	7/8" Harden Steel Washer	2	2	7/8" Washer Dacromet + L Harden	2	
3	QUIK-ALIGN Service Nut	1	3	QUIK-ALIGN Service Nut	1	
4	QUIK-ALIGN Concentric Collar	1	4	QUIK-ALIGN Concentric Collar	1	
5	QUIK-ALIGN Eccentric Collar	1	5	QUIK-ALIGN Eccentric Collar	1	
6	Wear Pad	4				
7	Tri-Functional Bushing	1				
8	Bushing Lubricant - 2 oz. (not shown)	1				
				ITEM	CONTENTS	QTY.
				1	U-bolt w/Coined Radius Grade 8	4
				2	7/8" Narrow Washer Zinc Yellow RC40-45	8
				3	7/8"-14 Hex Nut Zinc Gr C	8
Service Kit No.	Ride Air Spring Fasteners Kit	Service Kit No.	Lift Air Spring Fasteners Kit			
R-A-1981		R-A-2849				
ITEM	CONTENTS	QTY.	ITEM	CONTENTS	QTY.	
1	1/2"-13 Hex Nut Zinc Gr B	2	1	3/8"-16 X 1.00" Hex Bolt Phos Gr 5	4	
2	3/4"-16 Hex Nut Zinc Gr B	2	2	3/8" Lock Washer Zinc Reg	4	
3	1/2"-13 X 1.25" Hex Bolt Phos Gr 5	4				
4	1/2" Lock Washer Zinc Reg	4				
				* Quantities specified are shown per service kit. Refer to Page 3 for quantities of service kits needed per suspension.		

This is a general parts list to provide directional information. Components may vary by model. Questions in regards to parts, contact Hendrickson Auxiliary Axle Systems at 1.800.660.2829 (Toll-free U.S. and Canada), 1.740.929.5600 (Outside U.S. and Canada) or e-mail: LiftAxle@hendrickson-intl.com.

www.hendrickson-intl.com



Specialty Products - Auxiliary Axle Systems
 277 North High Street
 Hebron, OH 43025-8008 USA
 1.800.660.2829 (Toll-free U.S. and Canada)
 1.740.929.5600 (Outside U.S. and Canada)
 Fax 1.740.929.5601

Hendrickson Canada
 250 Chrysler Drive, Unit #3
 Brampton, ON L6S 6B6 Canada
 905.789.1030
 Fax 905.789.1033