

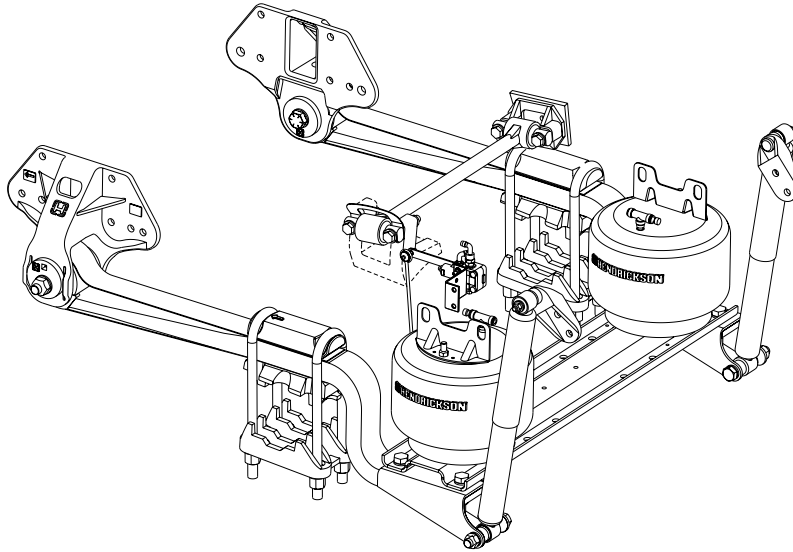
PARTS LIST

COMFORT AIR® 19K • 21K • 23K Single Axle Rear Air Suspension for Hino Vehicles

LIT NO: SP-178

DATE: January 2017

REVISION: D

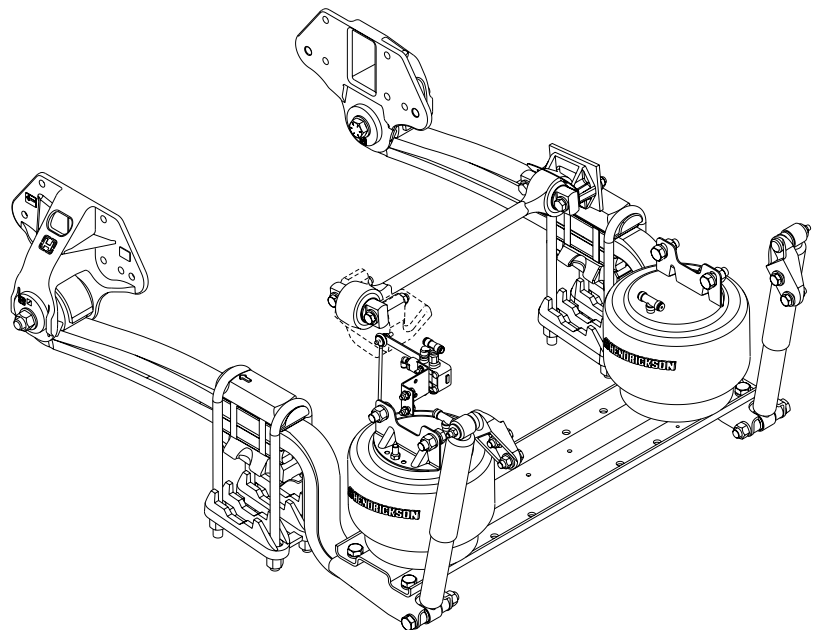


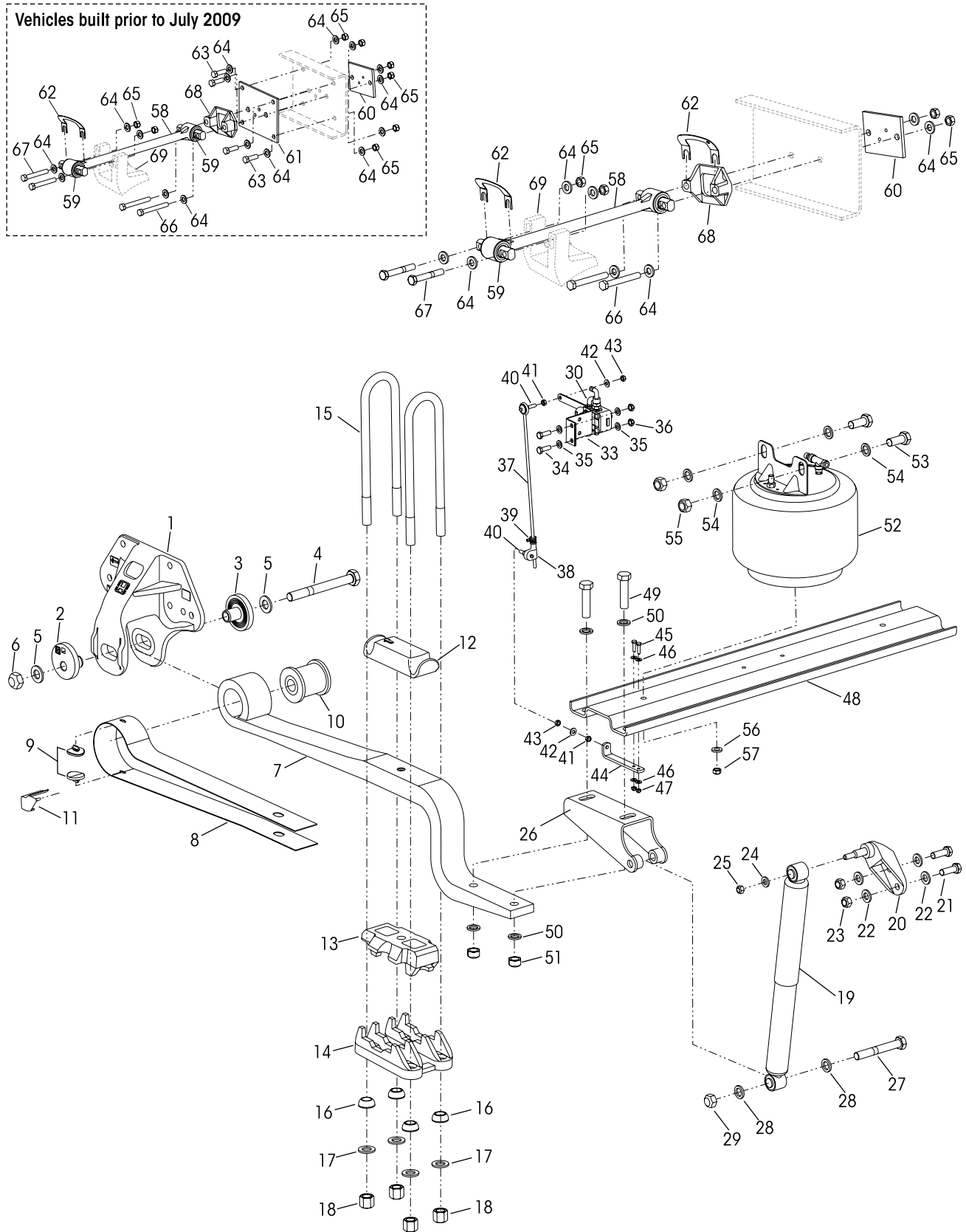
COMFORT AIR 19K • 21K Capacity

Page 2

COMFORT AIR 23K Capacity

Page 4







			VEHICLE				VEHICLE
KEY NO.	PART NO.	DESCRIPTION	QTY.	KEY NO.	PART NO.	DESCRIPTION	QTY.
1		Spring Hanger			65121-001	HCV Upper Frame Fastener Service Kit, Includes Key Nos. 34-36	
	65081-001L	Left Hand	1	34	58573-004	M10 x 1.5 x 30 mm Bolt	2
	65081-002L	Right Hand	1	35	58246-008	M10 Hardened Washer	4
		QUIK-ALIGN® Service Kit		36	58581-000	M10 x 1.5 Locknut	2
	65119-001	LH, Includes Key Nos. 2-6			58994-032	Linkage Rod Assembly, Includes Key Nos. 37-43	1
	65119-002	RH, Includes Key Nos. 3-6		37		*Linkage Rod	1
2	60662-000L	QUIK-ALIGN Eccentric Collar	1	38		*Valve Arm Joint	1
3	60661-000L	QUIK-ALIGN Concentric Collar	3	39		*Valve Arm Clamp	1
4	58705-005	7/8"-9 UNC x 8" H-Coated Hex Bolt	2	40		*5/16"-18 UNC Stud	2
5	22962-034	7/8" H-Coated Hardened Washer	4	41		*5/16"-18 UNC Jam Nut	2
6	60266-000	7/8"-9 UNC H-Coated Locknut	2	42		*5/16" Washer	2
	65106-001	Main Support Member Assembly, Includes Key Nos. 7-11	2	43		*5/16"-18 UNC Locknut	2
7		*Main Support Member	2	44	65090-000	HCV Lower Linkage Bracket	1
8		*Flexi-Wrap	2	45	65091-001	M6 x 1-6G x 30 mm Bolt	2
	34013-109	Main Support Member Bushing Service Kit, One Side, Includes Key Nos. 4-6, 9-11		46	58246-016	M6 Hardened Washer	4
9	59770-000	Isolator Pad	4	47	65092-000	M6 x 1-6H Locknut	2
10	58648-000L	Main Support Member Bushing	2	48	57317-007	Cross Channel	1
11	60392-000	Spring Eye Clip	2		57499-003	Cross Channel Fastener Service Kit, Axle Set, Includes Key Nos. 49-51	
12	65071-000	Top Pad	2	49	58258-023	M20 x 2.5-6G x 90 mm Bolt, <i>Replaces 58258-001</i> 4	
13	56501-005P	Spring Seat - 4°	2	50	58246-007	M20 Hardened Washer	8
14	50216-000	Axle Bottom Cap	2	51	58259-000	M20 x 2.5-6H Locknut	4
	58818-011	U-bolt Fastener Kit, One Side Includes Key Nos. 15-18		52	65086-002	Air Spring Assembly	2
15	58184-001	M22 x 1.5 U-bolt - 380 mm	4		58820-005	Air Spring Fastener Service Kit, One Side, Includes Key Nos. 53-57	
16	48574-001	Spherical Washer	8	53	58258-004	M20 x 2.5-6G x 50 mm Bolt	4
17	58246-005	M22 Hardened Washer	8	54	58246-007	M20 Hardened Washer	8
18	58253-000	M22 x 1.5 High Nut	8	55	58259-000	M20 x 2.5-6H Locknut	4
19	60670-013	Shock Absorber	2	56	58246-001	M12 Hardened Washer	2
20	58516-002P	Upper Shock Bracket	2	57	66224-000	M12 x 1.25 Locknut, <i>Replaces 65089-000</i>	2
	65118-002	Upper Shock Bracket Service Kit, One Side, Includes Key Nos. 21-25		58	62000-595	**Transverse Torque Rod Assembly, 595 mm, Includes Key No. 59	1
21	58244-002	M16 x 2.5 Bolt	4	59	47691-000L	Torque Rod Bar Pin Bushing	2
22	58246-003	M16 Hardened Washer	8	60	45045-010	Outer Reinforcement Plate, <i>Replaces 65137-000</i> 1	
23	58245-000	M16 x 2 Locknut	4	61		***Inner Reinforcement Plate	1
24	58246-001	M12 Hardened Washer	2		58819-004	Transverse Torque Rod Fastener Service Kit, Axle Set, Includes Key Nos. 62-67	
25	58248-000	M12 x 1.75 Locknut	2	62	49689-000L	Shim (1.5 mm)	As Req.
26	65098-000	Lower Shock Bracket	2	63		***M16 x 2-6G x 50 mm Bolt	4
27	58258-005	M20 x 2.5 x 140 mm Bolt	2	64	58246-003	M16 Hardened Washer	8
28	58246-007	M20 Hardened Washer	4	65	58245-000	M16 x 2-6H Locknut	4
29	58259-000	M20 x 2.5 Locknut	2	66	58244-005	M16 x 2-6G x 130 mm Bolt	2
	69031-000	Height Control Valve Assembly Includes Key Nos. 30-33	1	67	58244-009	M16 x 2-6G x 110 mm Bolt	2
30	60501-000	Height Control Valve	1	68	22186-000	Transverse Torque Rod Frame Bracket	1
31	22962-052	1/4" HCV Washer (Not Shown)	2	69		Transverse Torque Rod Axle Bracket Supplied by Vehicle Manufacturer	1
32	49983-000	1/4" HCV Hex Nut (Not Shown)	2		70867-001	****P-80 Lubricant - 10 ml Not Shown	As Req.
33	65097-000	HCV Mounting Bracket	1				

NOTES: Quantities of service kit components may vary from amount shown in lists.

* Item included in kit/assembly only, part not sold separately.

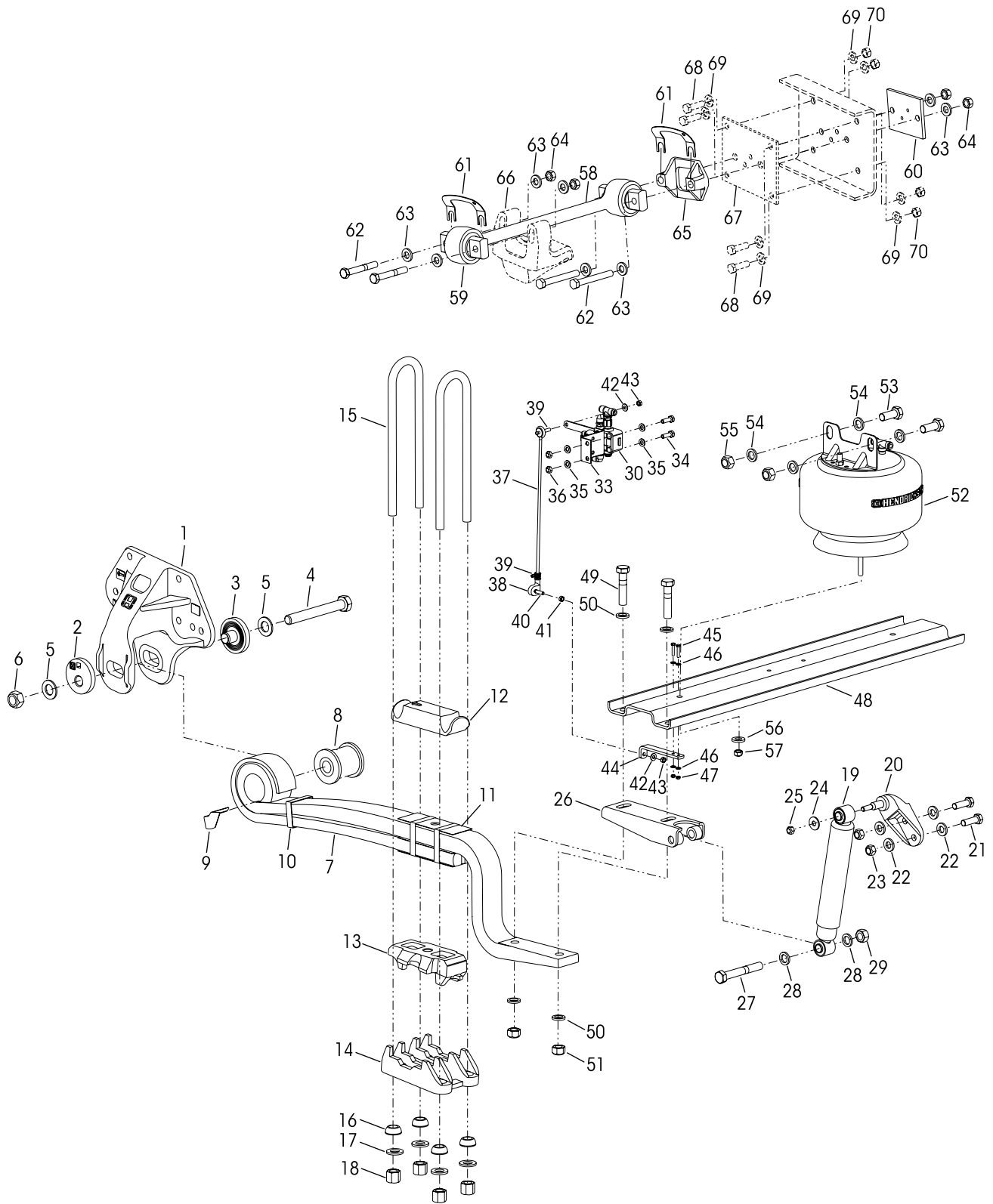
** Hendrickson two piece torque rods can be used to create the desired torque rod length, see Torque Rod Selection Guide 45745-148 for more information.

*** Inner reinforcement plate (Part No. 65095-000) is no longer available, see torque rod configuration for vehicles built AFTER July 2009.

**** Used as a lubricant to install torque rod bushing and main support member pivot bushing.

Hendrickson COMFORT AIR ride height gauge for Hino vehicles can be obtained on-line at www.hendrickson-intl.com/Litform

• Literature number 45745-242





COMFORT AIR® 23K for Hino Vehicles

			VEHICLE				VEHICLE
KEY NO.	PART NO.	DESCRIPTION	QTY.	KEY NO.	PART NO.	DESCRIPTION	QTY.
1		Spring Hanger		34	58573-004	M10 x 1.5 x 30 mm Bolt	2
	65081-001L	Left Hand	1	35	58246-008	M10 Hardened Washer	4
	65081-002L	Right Hand	1	36	58581-000	M10 x 1.5 Locknut	2
		QUIK-ALIGN® Service Kit			58994-032	Linkage Rod Assembly, Includes Key Nos. 37-43	1
	60632-029	LH, 23K, Includes Key Nos. 2-6		37		**Linkage Rod	1
	60632-030	RH, 23K, Includes Key Nos. 3-6		38		**Valve Arm Joint	1
2	64632-000	QUIK-ALIGN Eccentric Collar	1	39		**Valve Arm Clamp	1
3	64633-000	QUIK-ALIGN Concentric Collar	3	40		** $\frac{1}{8}$ "-18 UNC Stud	2
4	68217-001	1"-14 UNF x 8" H-Coated Hex Bolt	2	41		** $\frac{1}{8}$ "-18 UNC Jam Nut	2
5	68232-000	1" H-Coated Hardened Washer	4	42		** $\frac{1}{8}$ " Washer	2
6	68218-000	1"-14 UNF H-Coated Locknut	2	43		** $\frac{1}{8}$ "-18 UNC Locknut	2
	53443-000	Main Support Member Assembly, Includes Key Nos. 7-11	2	44	65090-000	HCV Lower Linkage Bracket	1
7		**Main Support Member	2	45	65091-003	M6 x 1-6G x 35 mm Bolt	2
	34013-189	Main Support Member Bushing Service Kit, One Side, Includes Key Nos. 4-6, 8-9		46	58246-016	M6 Hardened Washer	4
8	58648-000L	Main Support Member Bushing	2	47	65092-000	M6 x 1-6H Locknut	2
9	60392-001	Spring Eye Clip	2	48	57317-007	Cross Channel	1
10		**Nylon Caristrap®			57499-003	Cross Channel Fastener Service Kit, Axle Set, Includes Key Nos. 49-51	
11		**Galvanized Liner	6	49	58258-023	M20 x 2.5-6G x 90 mm Bolt, <i>Replaces 58258-001</i>	4
12	65071-000	Top Pad	2	50	58246-007	M20 Hardened Washer	8
13	56501-007P	Spring Seat - 5°	2	51	58259-000	M20 x 2.5-6H Locknut	4
14	50216-000	Axle Bottom Cap	2	52	76942-002	Air Spring Assembly	2
	69124-008	U-bolt Fastener Kit, One Side Includes Key Nos. 15-18			58820-005	Air Spring Fastener Service Kit, One Side, Includes Key Nos. 53-57	
15	58184-005	M22 x 1.5 U-bolt - 400 mm	4	53	58258-004	M20 x 2.5-6G x 50 mm Bolt	4
16	48574-001	Spherical Washer	8	54	58246-007	M20 Hardened Washer	8
17	58246-005	M22 Hardened Washer	8	55	58259-000	M20 x 2.5-6H Locknut	4
18	58253-000	M22 x 1.5 High Nut	8	56	58246-001	M12 Hardened Washer	2
19	60670-018	Shock Absorber	2	57	66224-000	M12 x 1.25 Locknut with Nylon Insert	2
20	58516-002P	Upper Shock Bracket	2	58	72000-595S	***ULTRA ROD® PLUS™ Transverse Torque Rod Assembly, 595 mm, Includes Key No. 59	1
	65118-002	Upper Shock Bracket Service Kit, One Side, Includes Key Nos. 21-25		59	64400-002L	Torque Rod Bar pin Bushing	2
21	58244-002	M16 x 2 x 50 mm Bolt	4	60	45045-010	Outer Reinforcement Plate, <i>Replaces 65137-000</i>	1
22	58246-003	M16 Hardened Washer	8		69124-007	Transverse Torque Rod Fastener Service Kit, Axle Set, Includes Key Nos. 61-64	
23	58245-000	M16 x 2 Locknut	4	61	49689-000L	Shim (1.5 mm)	As Req.
24	58246-001	M12 Hardened Washer	2	62	58244-005	M16 x 2-6G x 130 mm Bolt	4
25	58248-000	M12 x 1.75 Locknut	2	63	58246-003	M16 Hardened Washer	8
26	49324-002	Lower Shock Bracket	2	64	58245-000	M16 x 2-6H Locknut	4
27	58258-005	M20 x 2.5 x 140 mm Bolt	2	65	22186-000	Transverse Torque Rod Frame Bracket	1
28	58246-007	M20 Hardened Washer	4	66		Transverse Torque Rod Axle Bracket Supplied by Vehicle Manufacturer	1
29	58259-000	M20 x 2.5 Locknut	2	67		*Inner Reinforcement Plate	1
	69031-000	Height Control Valve Assembly Includes Key Nos. 30-33	1	68		*M16 x 2-6G x 50 mm Bolt	4
30	60501-000	Height Control Valve	1	69		*M16 Hardened Washer	8
31	22962-052	$\frac{1}{4}$ " HCV Washer (Not Shown)	2	70		*M16 x 2-6H Locknut	4
32	49983-000	$\frac{1}{4}$ " HCV Hex Nut (Not Shown)	2		70867-001	****P-80 Lubricant - 10 ml Not Show	As Req.
33	65097-000	HCV Mounting Bracket	1				
	65121-001	HCV Upper Frame Fastener Service Kit, Includes Key Nos. 34-36					

NOTES: Quantities of service kit components may vary from amount shown in lists.

* Not supplied by Hendrickson, used for reference only. Hendrickson is not responsible for components supplied by the vehicle manufacturer. For assistance with maintenance and rebuild instructions on these components see vehicle manufacturer.

** Item included in kit/assembly only, part not sold separately.

*** Hendrickson two piece torque rods can be used to create the desired torque rod length, see Torque Rod Selection Guide 45745-148 for more information.

**** Used as a lubricant to install torque rod bushing and main support member pivot bushing.

Hendrickson COMFORT AIR ride height gauge for Hino vehicles can be obtained on-line at www.hendrickson-intl.com/Litform

• Literature number 45745-242

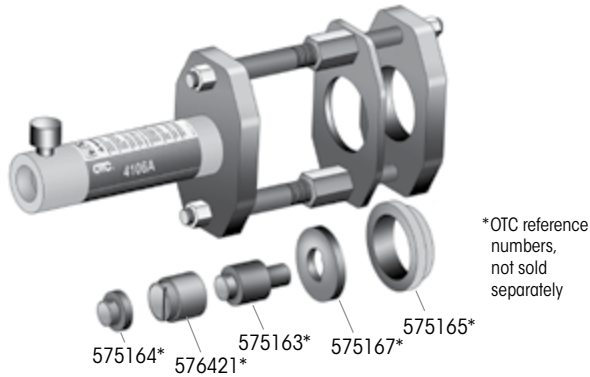


Special Tools

D-PIN / QUIK-ALIGN PIVOT BUSHING SERVICE TOOLS

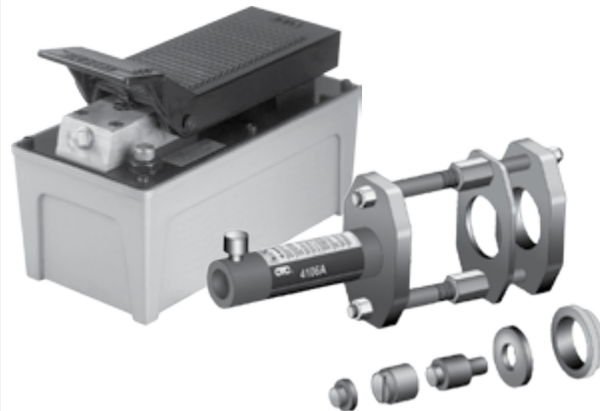
Hendrickson Part No. 66086-202

OTC Part No. 4246 Visit otctools.com



Hendrickson Part No. 66086-204

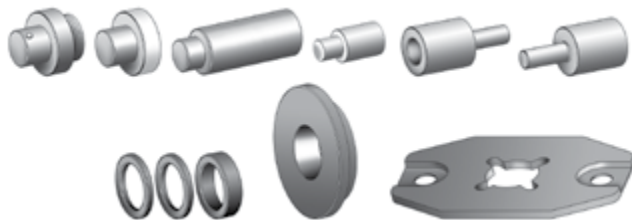
OTC Part No. 4247 Visit otctools.com



Hendrickson Part No. 66086-205

OTC Part No. 4254 Visit otctools.com

NOTE: In conjunction with Hendrickson Part No. 66086-204 (OTC 4247) this additional adapter tool kit is available to purchase to be used on Hendrickson SOFTEK NXT suspension (not needed for this suspension)



QUIK-ALIGN PIVOT BUSHING SERVICE TOOL

Hendrickson Part No. 66086-203L



QUIK-ALIGN SOCKET TOOL

Hendrickson Part No. 66086-200

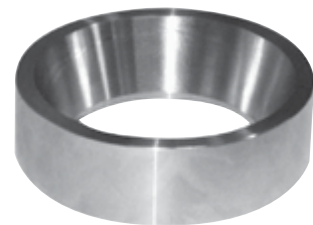
OTC Part No. 1767

Visit otctools.com



ULTRA ROD TORQUE ROD BUSHING FUNNEL TOOL

Hendrickson Part No. 66086-001



This is a general parts list to provide directional information. Components may vary by model. Questions in regards to parts, contact Hendrickson Truck Parts at 1.866.755.5968 (Toll-free U.S. and Canada), 1.630.910.2800 (Outside U.S. and Canada) or e-mail: truckparts@hendrickson-intl.com.

www.hendrickson-intl.com



Truck Commercial Vehicle Systems
800 South Frontage Road
Woodridge, IL 60517-4904 USA

1.866.755.5968 (Toll-free U.S. and Canada)
630.910.2800 (Outside U.S. and Canada)
Fax 1.630.910.2899