

# **H** PARTS LIST

## ULTIMAAX<sup>®</sup> Rear Suspension for Fire and Rescue Vehicles

LIT NO: SP-299

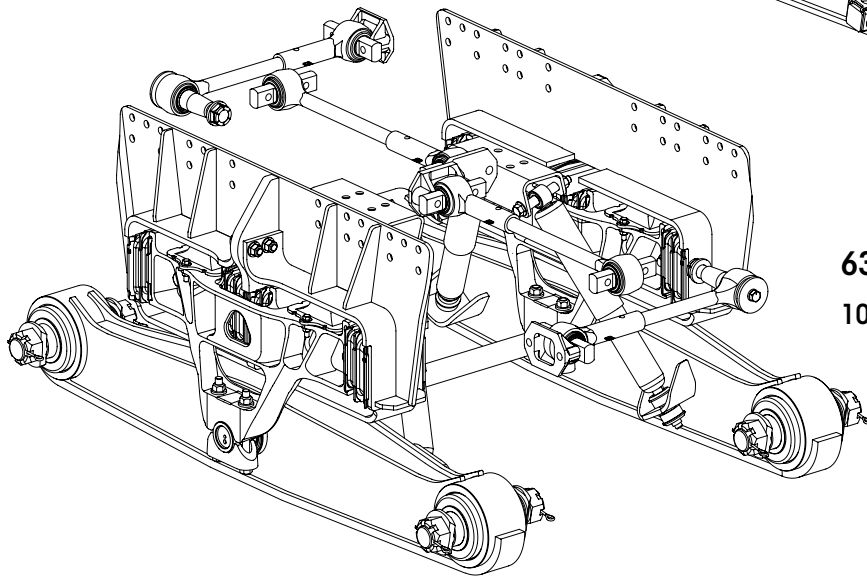
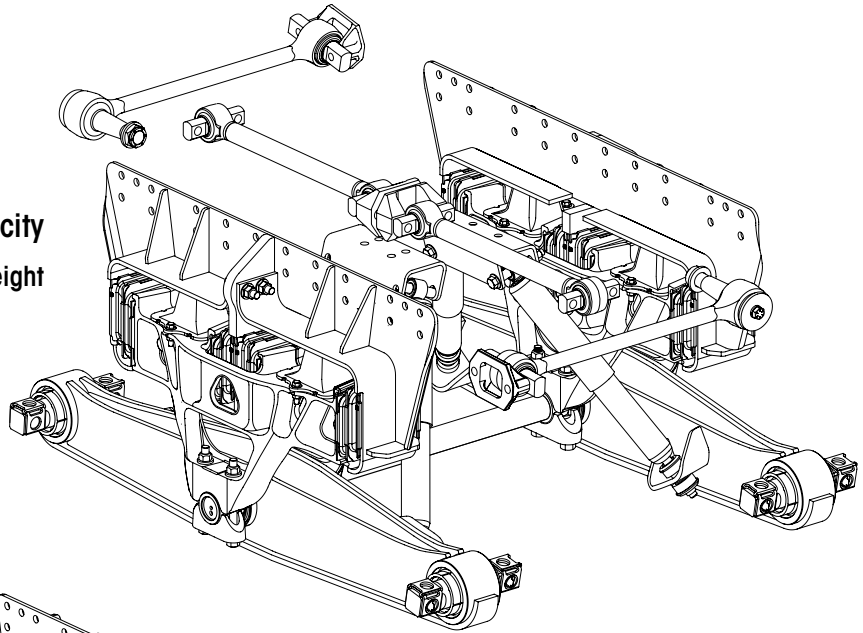
DATE: May 2018

REVISION: C

### CONTENTS

DESCRIPTION	PAGE
Parts List . . . . .	2
Torque Rods . . . . .	4
Special Tools . . . . .	5

**54K • 58K Capacity**  
**9½" • 10" • 10¼" • 11½" Ride Height**



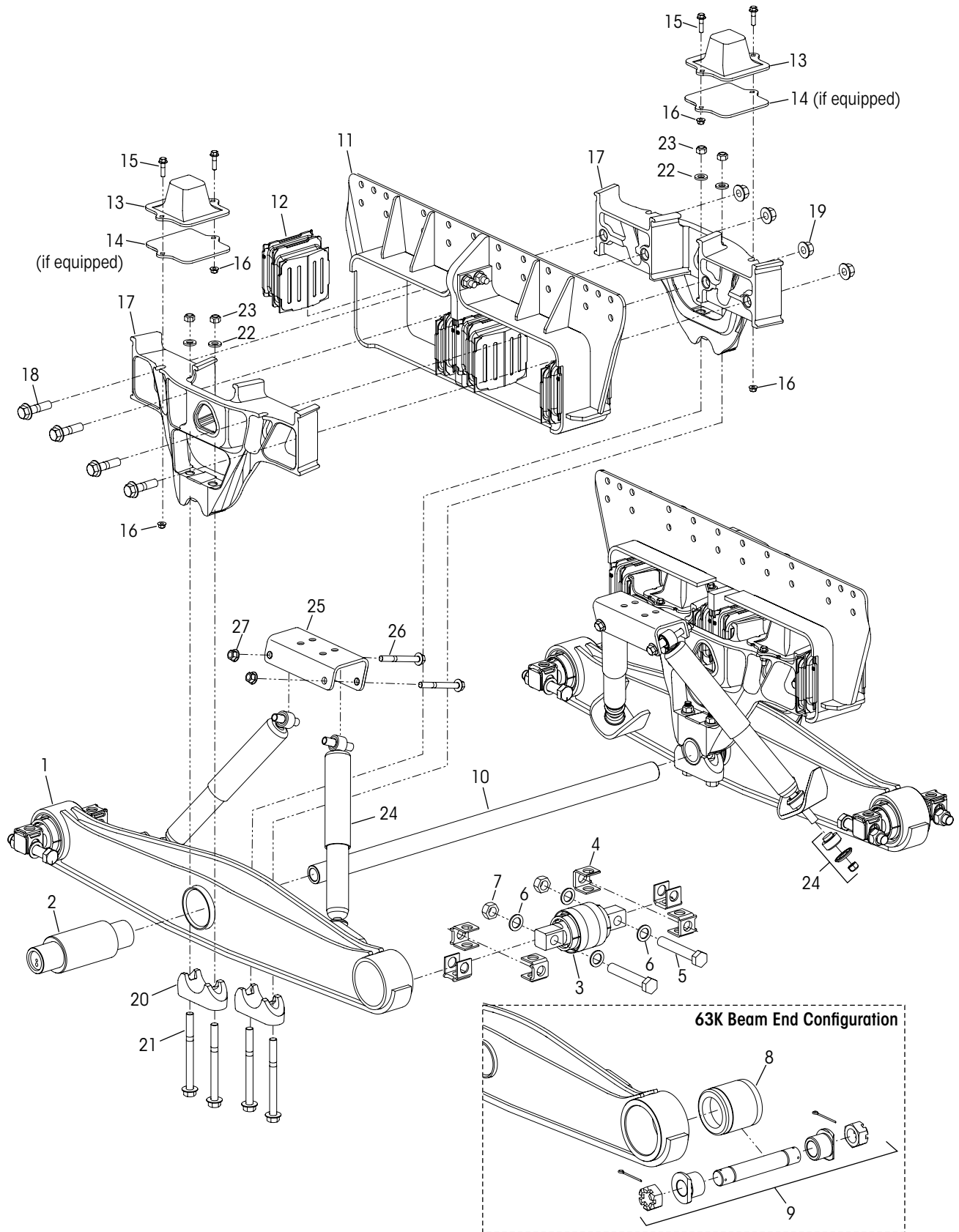
**63K Capacity**  
**10" • 10½" Ride Height**



54K – Rosenbauer 9½" Ride Height • KME 10" Ride Height

58K – Seagrave 9½", 10¼" and 11½" Ride Height

63K – Rosenbauer 10½" Ride Height, KME 10" Ride Height





KEY NO.	PART NO.	DESCRIPTION	VEHICLE QTY.	KEY NO.	PART NO.	DESCRIPTION	VEHICLE QTY.
1		Equalizing Beam Assembly with Shock Bracket	2		60961-749	<b>Shear and Progressive Load Spring Service Kit, One Side</b> , Includes Key Nos. 12-13,15-16, 18-19,21-23,28	
	78489-540	54K - Rosenbauer, KME; 58K - Seagrave, Includes Key Nos. 2-3			60961-750	<b>Shear Spring Service Kit, One Side</b> Includes Key Nos. 12, 18-19,21-23, 28	
	78634-540	63K - KME, Includes Key Nos. 2, 8		12		*Shear Spring	8
	78634-560	63K - Rosenbauer, Includes Key Nos. 2, 8			60961-751	<b>Progressive Load Spring Service Kit, One Side</b> Includes Key Nos. 13, 15-16	
		<b>Equalizing Beam Bushing Service Kits</b>		13		*Progressive Load Spring	4
	60961-755	• 54K / 58K Bar Pin Style <b>Center and End Bushing, One Beam</b> , Includes Key No. 2-3,5-7, 21-23		14		*Spacer, 63K only	4
	60961-752	<b>End Bushing, One Wheel End</b> , Includes Key Nos. 3-7			34013-196	<b>Progressive Load Spring Fasteners Service Kit, One Side</b> , Includes Key Nos. 15-16	
	56659-001	<b>End Bushing Fasteners</b> , Includes Key Nos. 5-7 Tandem		15		*M10 x 1.5 x 40 mm 6G Flange Bolt	8
	56659-005	One Beam		16		*M10 x 1.5 Flange Lock Nut	8
	34013-104	One Wheel End		17	70886-000	Saddle	4
	34013-052	• 63K Through Bolt Style <b>End Bushing and Adapter Service Kit, One Wheel End</b> , Includes Key Nos. 8-9			34013-197	<b>Saddle Only Fastener Kit, One Side</b> , Includes Key Nos. 18-19	
2		Center Bushing	2	18		*M20 x 1.5 x 75 mm Flange Bolt	8
3		*Bar Pin End Bushing Assembly, 54K/58K, Includes Key No. 4a		19		*M20 x 1.5 Flange Nut	8
4		Bar Pin Shim	8	20	77205-001	Saddle Cap	4
a	50130-000	0.19" / 0.19" Standard			60961-768	<b>Saddle Cap Fastener Service Kit, One Side</b> , Includes Key Nos. 21-23	
b	50131-000	0.25" / 0.12" Optional		21		*M16 x 2 x 6G x 180 mm Flange Bolt	8
c	57026-000	0.375" Optional flat shim		22		*M16 Flat Washer	8
5		*1"-8 UNC x 6" Bolt	8	23		*M16 x 2 x 6H Nut	8
6		*1" Hardened Washer	16	24		Shock Absorber	4
7		*1"-8 UNC Locknut	8		60680-015L	9½" Ride Height - 54K Rosenbauer, 58K Seagrave	
8		*End Bushing, 63K	4		60680-016L	10¼", 11½" Ride Height - 58K Seagrave 10" Ride Height - 54K and 63K KME 10½" Ride Height - 63K Rosenbauer	
9	21140-007	End Bushing Adapter Assembly, 63K	4	25		Upper Shock Bracket	2
	60961-759	<b>Cross Tube Service Kit</b> , Includes Key No. 10 and Weldable Loose Plug (Not Shown)			77591-002	54K/63K Rosenbauer	
10	44642-008	Cross Tube - 1140 mm	1		77591-006	54K/63K KME	
11		Frame Hanger	2		77591-007	58K Seagrave	
	78726-001	• 34" Width - 54K/63K KME 10" Ride Height			60961-818	<b>Upper Shock Fasteners Service Kit, One Beam</b> , Includes Key Nos. 26-27	
	78592-002	• 34½" Width - 58K Seagrave 9½" and 10¼" Ride Height		26		*M16 x 2 x 140 mm Flange Bolt	4
	78592-005	11½" Ride Height		27		*M16 x 2 Flange Nut	4
	70912-005	• 35" Width - Rosenbauer 10½" Ride Height, 63K		28	70867-001	P-80 Lubricant - 10 ml (Not Shown)	As Req.
	70912-206	9½" Ride Height, 54K					

**NOTES:**\* Item included in service kit/assembly only, part not sold separately.

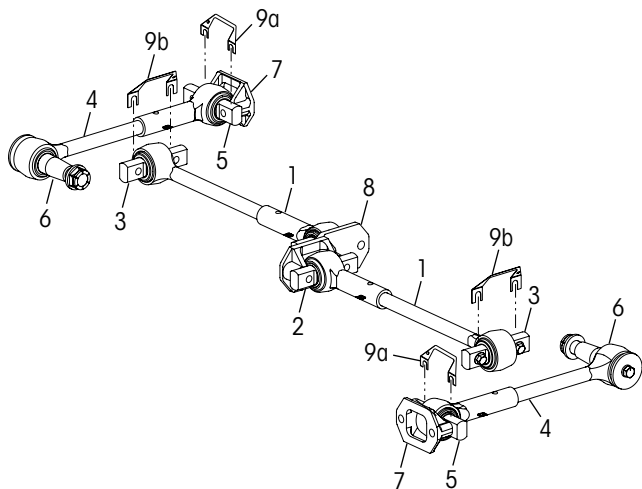
\*\* Transverse torque rods are mandatory for the ULTIMAAX rear suspension regardless of axle spacing.

**Hendrickson Lit. No. 48422-592** – ULTIMAAX Gauge Card can be used to measure in unloaded condition (1) the length of cut / split, (2) depth of separation and (3) the height of the progressive load spring (PLS).



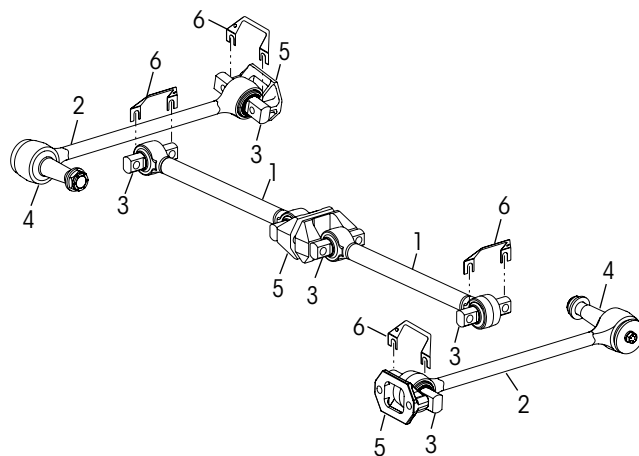
■ Torque Rod Configuration

**54K / 63K – Rosenbauer**  
 9.5" and 10½" Ride Height  
**54K / 63K – KME 10" Ride Height**



KEY NO.	PART NO.	DESCRIPTION	VEHICLE QTY.
1		Two-piece Longitudinal Torque Rod Straddle/Straddle	2
	65781-005	Rosenbauer, Includes Key Nos. 2a, 3	
	65781-006	KME, Includes Key Nos. 2b, 3	
2		XTRB Straddle Bushing to Cross Member Bracket	2
a	66649-005L	Rosenbauer	
b	66649-002L	KME	
3	66649-003L	XTRB Straddle Bushing to Axle Bracket,	2
4	65781-002	*Two-piece Transverse Torque Rod, Straddle/Tapper, Includes Key Nos. 5-6	2
5	66649-002L	XTRB Straddle Bushing	2
6	66649-004L	XTRB Taper Bushing	2
7	22186-000	Torque Rod Frame Bracket	2
8		Torque Rod Cross Member Bracket	2
a	30828-000	Rosenbauer	
b	22186-000	KME	
9		Torque Rod Shim	As Req.
a	49689-000L	111 mm	
b	67779-002	133 mm	

**58K – Seagrave**  
 9½", 10¼" and 11½" Ride Height



KEY NO.	PART NO.	DESCRIPTION	VEHICLE QTY.
1		ULTRA ROD® PLUS™ Longitudinal Torque Rod, Straddle/Straddle, Includes Key No. 3	
	72100-495	Front, Seagrave	1
	72100-635	Rear, Seagrave	1
2	72950-610	*ULTRA ROD PLUS Transverse Torque Rod, Straddle/Taper, Includes Key Nos. 3-4	2
3	64400-003L	ULTRA ROD PLUS Straddle Bushing	6
4	64400-004L	ULTRA ROD PLUS Taper Bushing	2
5	46015-000	Torque Rod Frame Bracket	4
6	67779-002	Torque Rod Shim - 133 mm	As Req.

**NOTES:**\* Transverse torque rods are mandatory for the ULTIMAAX rear suspension regardless of axle spacing.

**ULTRA ROD PLUS TORQUE ROD BUSHING FUNNEL TOOL**

Hendrickson Part No. 66086-000L

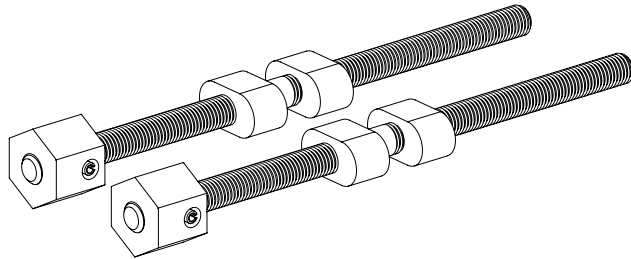




■ Special Tools

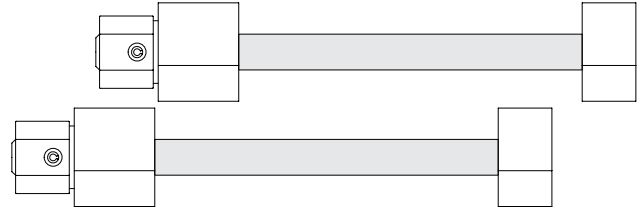
SADDLE DISASSEMBLY TOOL

Hendrickson Part No. 66086-113L



SADDLE ASSEMBLY TOOL

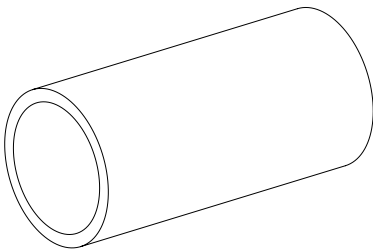
Hendrickson Part No. 66086-108L



CENTER BUSHING TOOLS

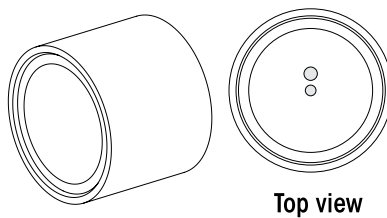
RECEIVING TOOL

Hendrickson Part No. 66086-112



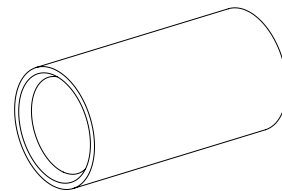
INSTALLATION TOOL

Hendrickson Part No. 66086-107



REMOVAL TOOL

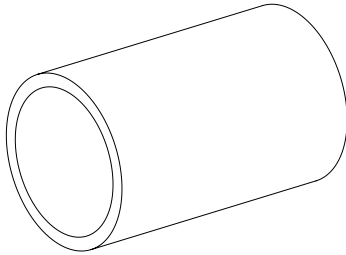
Hendrickson Part No. 66086-110



BAR PIN STYLE END BUSHING TOOLS – 54K • 58K

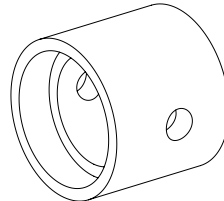
RECEIVING TOOL

Hendrickson Part No. 66086-111



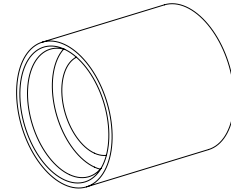
INSTALLATION TOOL

Hendrickson Part No. 66086-106



REMOVAL TOOL

Hendrickson Part No. 66086-109



ADAPTER STYLE END BUSHING TOOLS – 63K

End Bushing  
Removal / Replacement Adapter  
OTC Part Number 208350



Center Bushing  
Removal / Replacement Adapter  
OTC Part Number 28541  
Not Needed for this publication



Clamp  
OTC Part Number 208349



**Hendrickson Part No. 66086-101**

**OTC Part No. 1763**

Visit [otctools.com](http://otctools.com)

This is a general parts list to provide directional information. Components may vary by model. Questions in regards to parts, contact Hendrickson Truck Parts at 1.866.755.5968 (Toll-free U.S. and Canada), 630.910.2800 (Outside U.S. and Canada) or e-mail: [truckparts@hendrickson-intl.com](mailto:truckparts@hendrickson-intl.com).

---

[www.hendrickson-intl.com](http://www.hendrickson-intl.com)



Truck Commercial Vehicle Systems  
800 South Frontage Road  
Woodridge, IL 60517-4904 USA

1.866.755.5968 (Toll-free U.S. and Canada)  
1.630.910.2800 (Outside U.S. and Canada)  
Fax 1.630.910.2899