



COMPOSILITE™ TVR

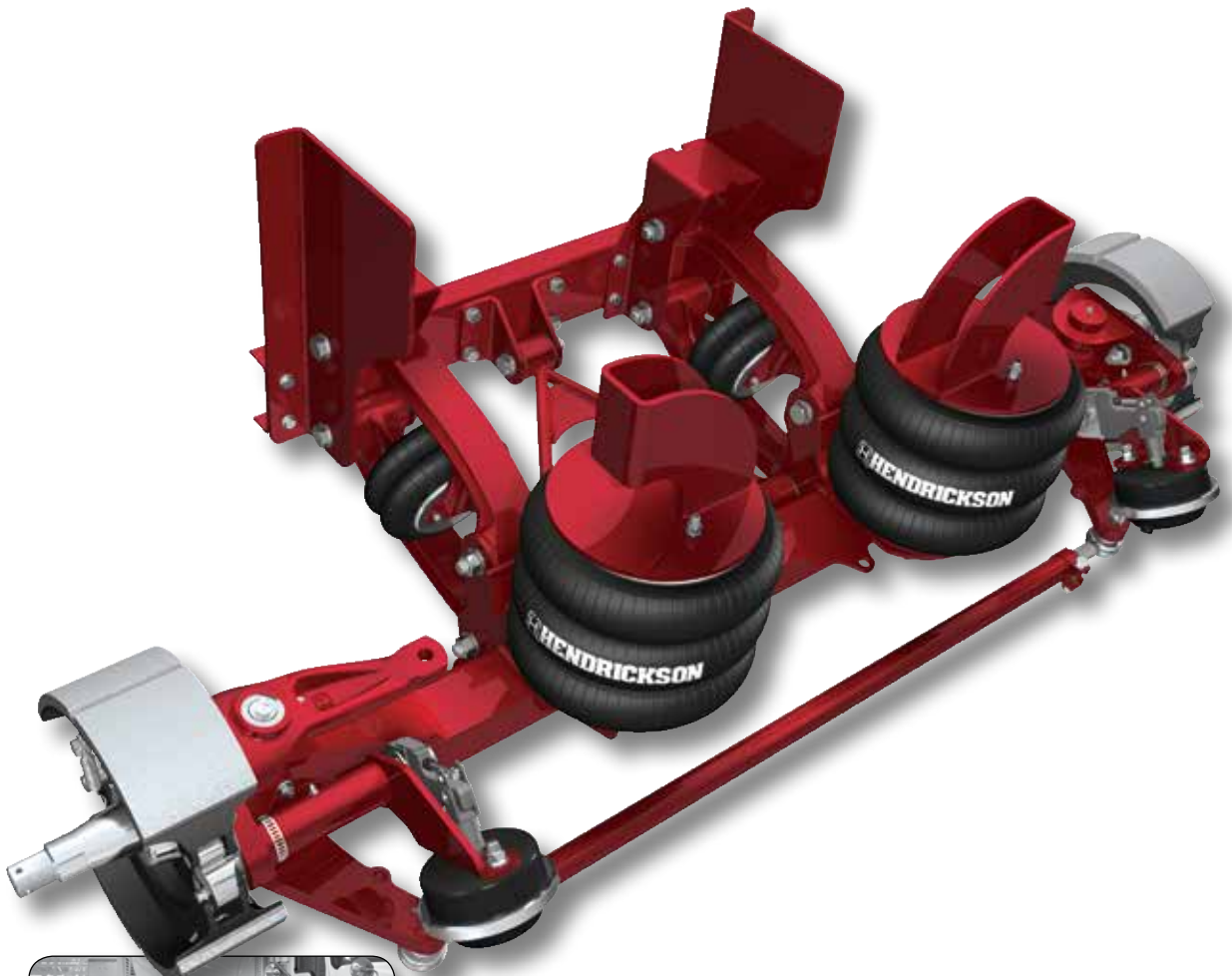
Twin Steer Lift Axle
with V-Rod

Hendrickson Specialty Products – Auxiliary Axle Systems offers a new steerable lift axle developed specifically for twin steer applications.

The COMPOSILITE™ TVR includes a v-rod stiffening brace that provides enhanced lateral load stiffness for twin steer applications. Offered in capacities up to 20,000 lbs. rating, the new TVR utilizes a fabricated two-piece axle technology engineered to optimize strength and durability, while providing a substantial weight reduction. The TVR suspension model is designed for the twin steer market and has an overall package space 2.9 inches shorter than the existing I-beam forged axle product.

In addition, the COMPOSILITE TVR offers an integrated steering arm for drag link connection, as well as inboard rail mounted upper air spring plates to maximize wheel turning radius.

Driven by over 100 years of innovation, Hendrickson continues to provide superior mobility, durability and a wide variety of auxiliary lift axle designs for your heavy-duty vehicle applications.



To learn more about COMPOSILITE TVR,
call 800.660.2829 or visit
www.hendrickson-intl.com

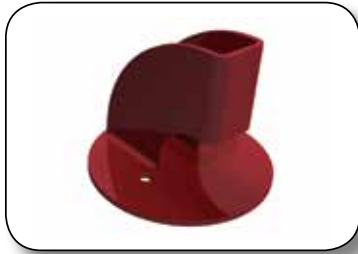
 **HENDRICKSON**
The World Rides On Us®

COMPOSILITE™ TVR Specifications



V-Rod

- Increases lateral load stiffness needed for twin steer applications



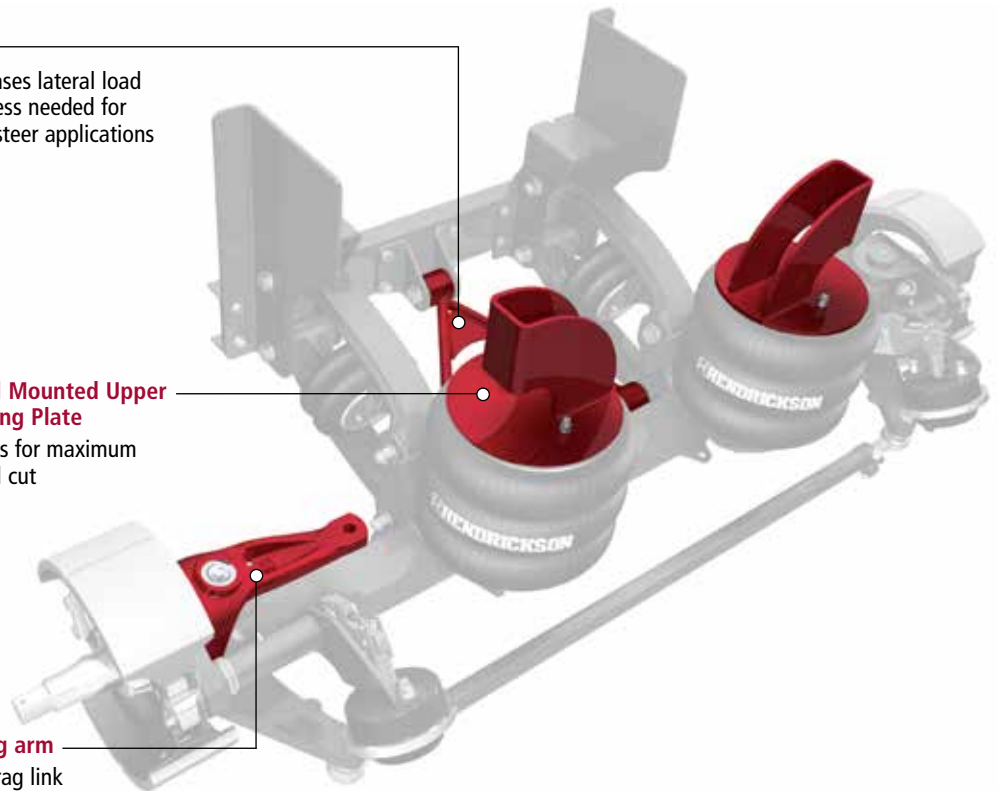
Inboard Mounted Upper Air Spring Plate

- Allows for maximum wheel cut



Steering arm

- For drag link attachment



Note: The use of COMPOSILITE TVR may be subject to restrictions in certain provinces or states. Please check your local regulations to determine what lift axle restrictions may apply to your applications.

Capacity	Up to 20,000 lbs.
Weight	1,385 lbs. (dressed with axle and 10 hole hub and drums)
Travel	12 in. (subject to restrictions of steering linkage)
Lift	8 in. (subject to restrictions of steering linkage)
Axle Type	Fabricated two-piece axle design
Package Space	26.5 in.
Wheel Cut	25 degrees

Call Hendrickson at **800.660.2829** or **800.668.5360** in Canada for additional information and application specifications.



www.hendrickson-intl.com

SPECIALTY PRODUCTS - AUXILIARY AXLE SYSTEMS

277 North High Street
Hebron, OH 43025 USA
800.660.2829
740.929.5600 • Fax 740.929.5601

Hendrickson Canada

250 Chrysler Drive, Unit #3
Brampton, ON Canada L6S 6B6
800.668.5360
905.789.1030 • Fax 905.789.1033