

## Critical Information

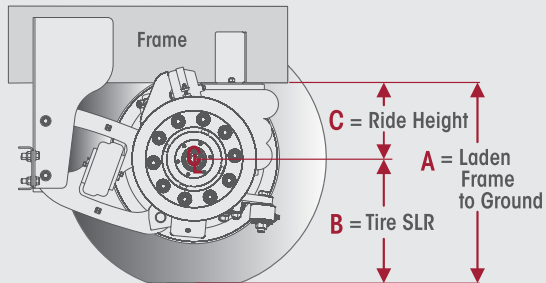
- Frame Width
- Frame to Ground
- Lift Tire Size
- Drive Suspension Type

## Measurements

**A** Loaded Frame to Ground Measurement

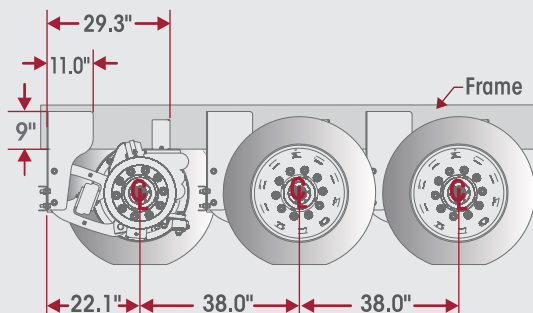
**B** Loaded Tire Radius

Ride Height ( $A - B = C$ )



## SC 13K

Minimum Spacing Depends on State



## Air Control Kits

Air Kit Type	Inside	Outside (Composite)	Outside (Stainless)
Steerable	HAC-SSI	HAC-UCO	HAC-USO
Non-Steer	HAC-NSI	HAC-UCO	HAC-USO
Lift & Lock	HAC-LSI	HAC-LCO	HAC-LSO
Down & Lock	HAC-RSI	HAC-RCO	HAC-RSO
Reverse Caster	HAC-ASI	HAC-ACI	HAC-ASO

## Auxiliary Lift Axle System Specifications

Model	Maximum Capacity (lbs.)	Application Weight (lbs.)	Travel	Lift	Wheel Cut	Package	Use	*Ride Height	
<b>STEERABLE</b>									
COMPOSILITE	SC08 SC10	10K	735	13"	10"	31°	22.1"	Multi	12.5"-20.5"
	SC13	13.5K	848	13"	10"	31°	22.1"	Multi	8.5"-18.5"
COMPOSILITE	SC20	20K	1,357	12"	9"	25°	26.5"	Multi	9.5"-13.5"
	SCO13	13.5K	851	13"	10"	31°	22.1"	Roll-Off	10.5"-18.5"
COMPOSILITE	SCO20	20K	1,393	12"	9"	25°	26.5"	Roll-Off	9.5"-13.5"
TOUGHLIFT	LK25	25K	1,580	9.5"	6.5"	26°	20"	Multi	10"-13"
<b>NON-STEER</b>									
COMPOSILITE	FX10	10K	817	13.5"	10"	--	22.1"	Multi	12.5"-20.5"
	FX13	13.5K	930	13.5"	10"	--	23.5"	Multi	8.5"-18.5"
TOUGHLIFT FM	FM20	25K	1,125	9.5"	6.5"	--	26"	Multi	10.0"-13.0"
TOUGHLIFT FR	FRT13	13K	1,005	13"	9"	--	33.2"	High Lift	9.5"-13.5"
	FRT16	16K	1,064	13"	9"	--	33.2"	High Lift	13.5"-15.0"

**NOTE** \* Not all ride heights are available on all models and applications. Contact Hendrickson for further assistance.

## Auxiliary Axle Quick Reference Guide

### Quick Ship Models

Available in 2 – 3 days

Maximum order quantity of three (3)

### STEERABLE COMPOSILITE® SC

10.5" – 12.5" Ride Height

33.5" – 34.5" Frame

- SCT08EBBKAX2X – 8K
- SCT10ECCKAX2X – 10K
- SCT13CO4XBAX1X – 13K
- SCT13EO4XBAX1X – 13K
- SCT13CO4XBAH1X – 13K
- SCT20C64XBAH3X – 20K

### NON-STEER TOUGHLIFT™ FM

9.0" – 11.0" Ride Height

- FMT20AXA49AX6XX – 20K
- FMT20BXA49AX6XX – 20K

## Contact Us



1.800.660.2829



Customer Support  
1.740.929.5600

Technical Support  
1.740.929.6526



1.740.929.5615



1.740.929.5601



liftaxle@hendrickson-intl.com



www.hendrickson-intl.com

Non-Steer						Steerable					
COMPOSILITE	FXT 13.5K • FXO 13.5K FXW 13.5K • FXB 13.5K					SCT 13 • SCO 13					
Ride Air Spring Extension	10.5"	11.5"	12.5"	13.5"	14.5"	10.5"	11.5"	12.5"	13.5"	14.5"	
Axle Lift	6.0"	7.0"	8.0"	9.0"	10.0"	6.0"	7.0"	8.0"	9.0"	10.0"	
Estimated air system pressure requirements (in PSI)											
Axle load (in pounds)	5,000	30	32	35	38	43	31	33	36	40	45
	5,500	34	36	39	43	48	35	37	40	44	50
	6,000	37	40	43	47	53	39	41	44	49	55
	6,500	41	44	47	52	58	42	45	49	53	59
	7,000	45	48	51	56	63	46	49	53	58	64
	7,500	48	51	55	61	67	49	53	57	62	69
	8,000	52	55	59	65	72	53	56	61	66	74
	8,500	55	59	64	69	77	57	60	65	71	78
	9,000	59	63	68	74	82	60	64	69	75	83
	9,500	63	67	72	78	86	64	68	73	79	88
	10,000	66	70	76	82	91	67	72	77	84	92
	10,500	70	74	80	86	95	71	75	81	88	97
	11,000	73	78	84	91	100	75	79	85	92	101
	11,500	77	82	88	95	104	78	83	89	96	106
	12,000	80	85	91	99	108	82	87	93	100	110
12,500	84	89	95	103	113	85	90	97	104	114	
13,000	88	93	99	107	117	89	94	101	109	119	
13,500	91	97	103	111	121	92	98	104	113	123	

Non-Steer				Steerable			
TOUGHLIFT	FMT 25K • FMW 25K FMB 25K			LKT 25			
Ride Air Spring Extension	20.0"	22.0"	24.0"	20.0"	22.0"	24.0"	
Axle Lift	5.0"	6.0"	7.0"	5.0"	6.0"	7.0"	
Estimated air system pressure requirements (in PSI)							
Axle load (in pounds)	8,000	27	30	36	24	27	33
	9,000	31	35	41	28	32	38
	10,000	35	39	46	32	36	43
	11,000	39	43	51	36	40	48
	12,000	43	47	56	40	44	53
	13,000	47	51	61	44	48	58
	14,000	51	56	66	48	53	63
	15,000	55	60	71	52	57	68
	16,000	59	64	76	56	61	73
	17,000	63	68	81	60	65	78
	18,000	68	73	86	65	70	83
	19,000	71	77	90	68	74	87
	20,000	75	81	95	72	78	92
	21,000	79	85	100	76	82	97
	22,000	83	89	104	80	86	101
23,000	87	94	109	84	91	106	
24,000	91	98	114	88	95	111	
25,000	95	102	119	92	99	116	

## Popular Parts

Model	Prefix	Beam Assembly		Bushing and Pivot Bolt Kit			Air Ride Spring			Air Lift Spring		Kingpin Bushing Kit		
		Both	Qty.	Truck	Trailer	Qty.	Truck	Trailer	Qty.	Truck/Trailer	Qty.	With Kingpin	Without Kingpin	Qty.
COMPOSILITE	SC08/10	R-009690	4	R-008839			R-B-14487	R-001015	2	R-005079	2	R-010300		
	SC08/10 Adj			R-008839-1										
	SCT13	R-008940	4	R-008839										
	SCT13 Adj			R-008839-1										
	SCT20	R-010125	4	R-008839-2			R-01346	R-011690	2	R-010214	2			
	SCT20 Adj			R-008839-3										
	SCT13 Kit			R-008940	4	R-012720	R-012721	1	R-B-14487	2	R-005079	2	Not Applicable	
	SFX08/10													
FX13														
TOUGHLIFT	LK25	R-012752 -1/-2	1	R-004588			2	R-B-14249	2	R-B-14318	2	R-013483	R-013483-1	1
	FM20	R-001907 -1/-2	1				2					Not Applicable		



www.hendrickson-intl.com

Specialty Products - Auxiliary Axle Systems  
 277 North High Street  
 Hebron, OH 43025-8008 USA  
 1.800.660.2829 (Toll-free U.S. and Canada)  
 1.740.929.5600 (Outside U.S. and Canada)  
 Fax 1.740.929.5601

Hendrickson Canada  
 250 Chrysler Drive, Unit #3  
 Brampton, ON L6S 6B6 Canada  
 905.789.1030  
 Fax 905.789.1033

Information contained in this literature was accurate at the time of publication.  
 Product changes may have been made after the copyright date that are not reflected.  
 © 2017 Hendrickson USA, L.L.C. All Rights Reserved