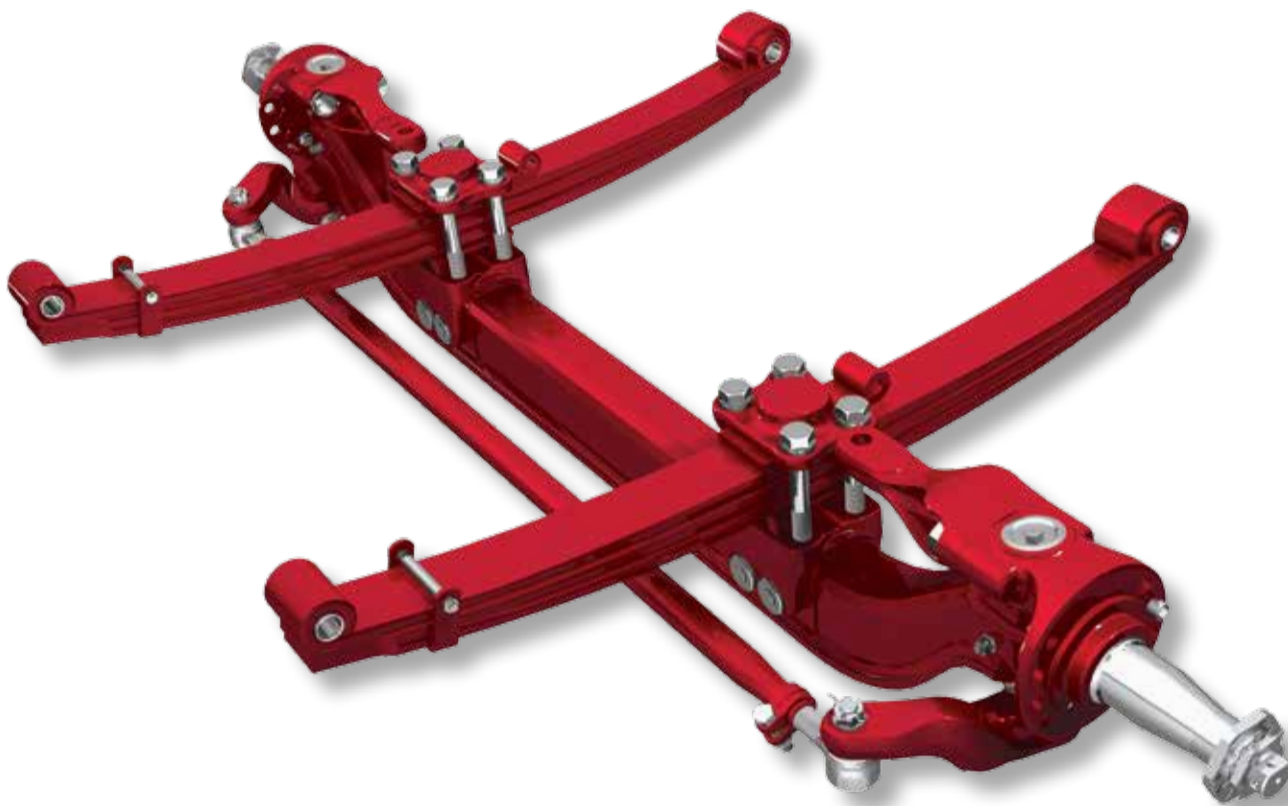


- Maximize weight savings
- Maximize durability
- Maximize handling and performance
- Up to 20,800 pound capacity



Hendrickson's STEERTEK NXT front steer axle and integrated suspension are optimized to deliver maximum performance as a complete system solution. The fabricated STEERTEK NXT design integrates lightweight axle durability with advanced spring suspension technology, saving 60 pounds compared to traditional I-beam axle and multi-leaf spring systems. Designed specifically for Autocar Xpeditor vehicles, the 20,800-pound capacity system delivers true system efficiency in demanding refuse applications.

To learn more about STEERTEK NXT,  
call 855.743.3733 or visit  
[www.hendrickson-intl.com](http://www.hendrickson-intl.com)

**H HENDRICKSON**  
*The World Rides On Us®*

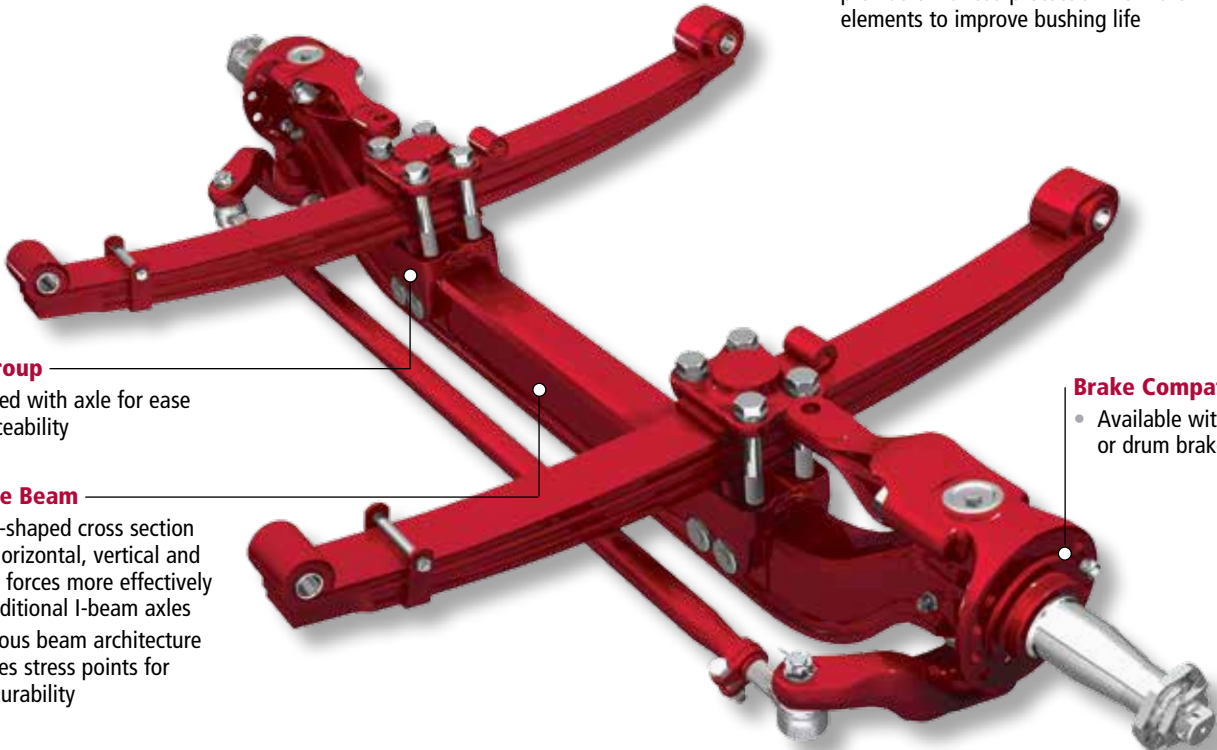
# STEERTEK NXT System Features and Benefits

## Weight Savings

- Integrated system design provides up to 60 pounds of weight savings compared to traditional forged I-beam axle and multi-leaf spring systems.

## Reduced Maintenance

- Removable kingpin design
- Premium kingpin bushings and seals provide enhanced protection from the elements to improve bushing life



## Clamp Group

- Integrated with axle for ease of serviceability

## Rigid Axle Beam

- The box-shaped cross section resists horizontal, vertical and twisting forces more effectively than traditional I-beam axles
- Continuous beam architecture minimizes stress points for added durability

## Brake Compatibility

- Available with disc or drum brakes

## Advanced Suspension Integration

- Specifically designed for refuse applications with capacities up to 20,800 pounds
- Parabolic springs provide increased wheel travel and lower spring rate for improved ride quality
- System designed for optimal control under heavy braking
- Engineered to deliver up to a 50-degree wheel cut

*All applications must comply with applicable Hendrickson specifications and must also be approved by Autocar specifications with the vehicle in its original, as-built configuration. Contact Hendrickson or Autocar for approval of additional applications.*

Call Hendrickson at **630.910.2800** or **855.RIDERED (743.3733)** for additional information.



## TRUCK COMMERCIAL VEHICLE SYSTEMS

800 South Frontage Road  
Woodridge, IL 60517-4904 USA  
855.RIDERED (743.3733)  
630.910.2800 • Fax 630.910.2899

[www.hendrickson-intl.com](http://www.hendrickson-intl.com)