

# PARTS LIST

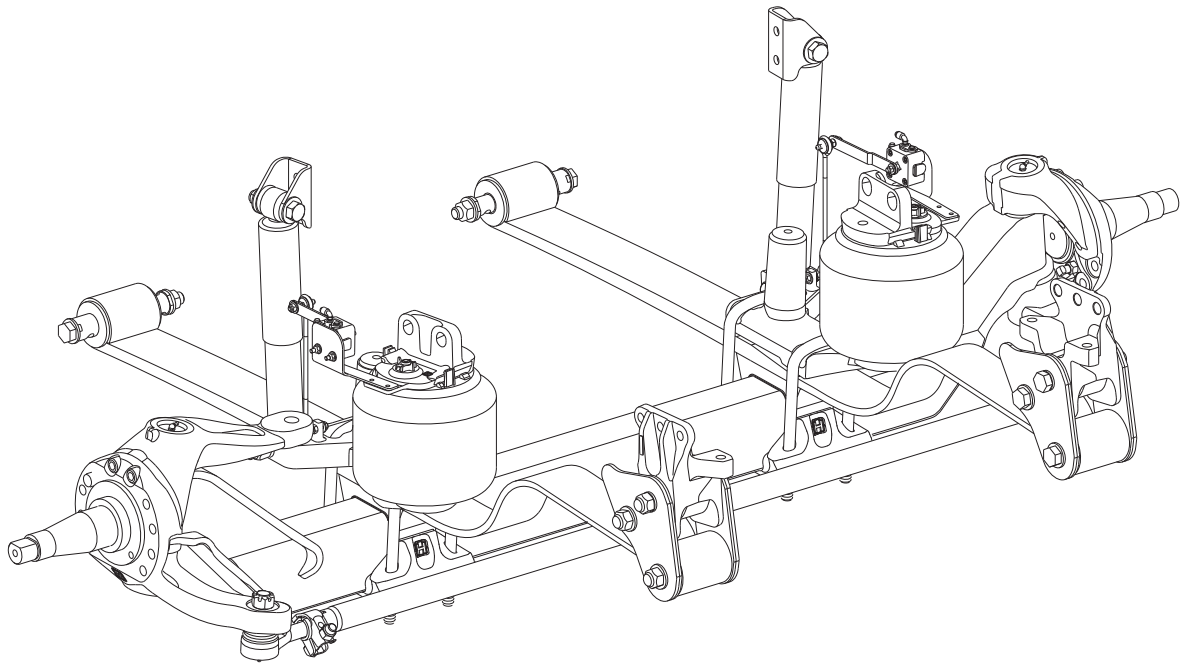
AIRTEK<sup>®</sup> for Volvo Vehicles

LIT NO: SP-174

DATE: July 2008

REVISION: D

---

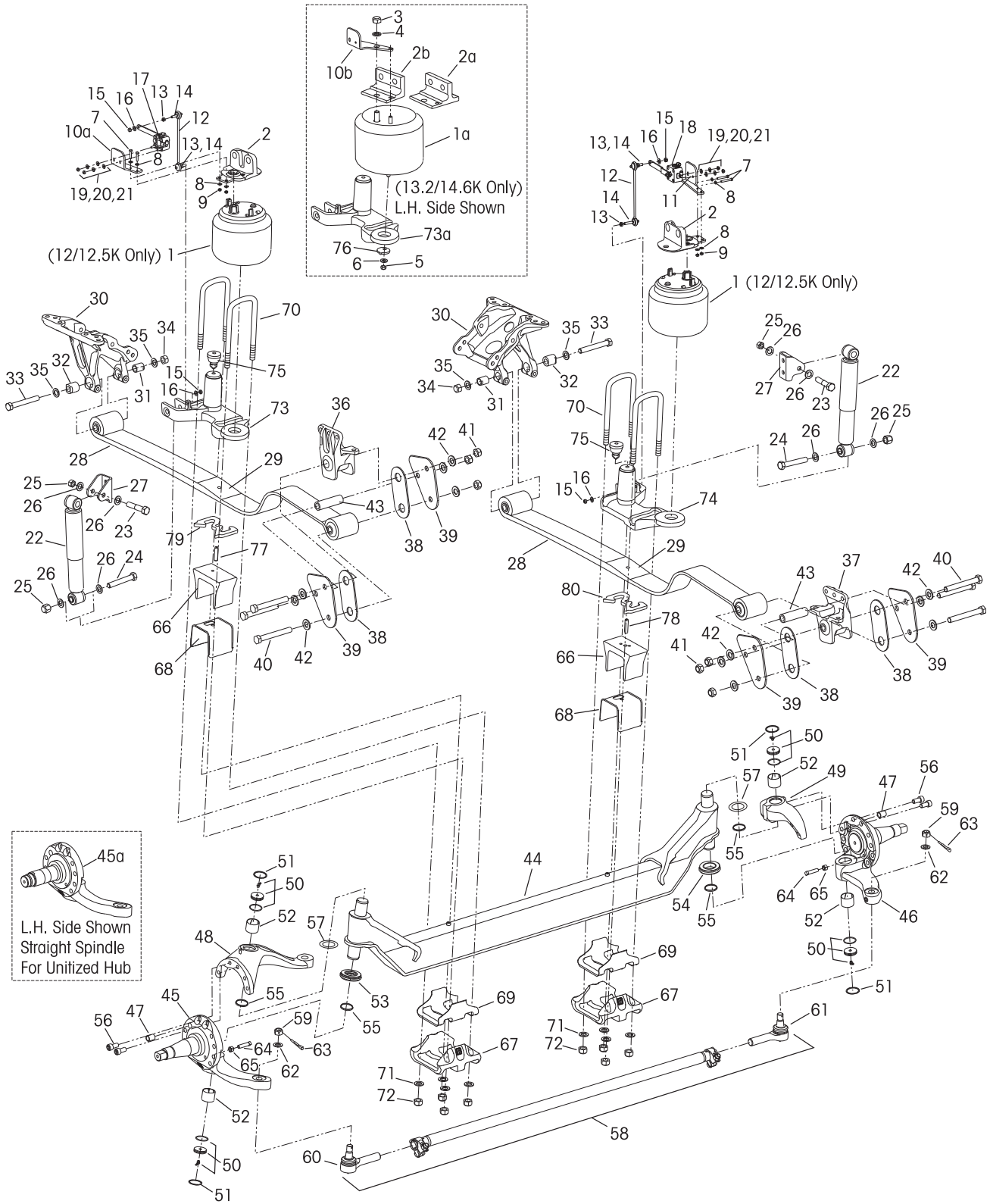


---

*For The Road Ahead<sup>™</sup>*

 HENDRICKSON

For Vehicles with Post'07 Engine





KEY NO.	PART NO.	DESCRIPTION	NO.REQ.	KEY NO.	PART NO.	DESCRIPTION	NO.REQ.
1	66349-002L	Air Spring 12K/12.5K, <i>Replaces 60750-002L</i> •Vehicles built <b>between</b> 03/05 and 06/07, equipped with dual HCVs <b>must use</b> Air Spring w/Support Plate Service Kit No. 60961-182	2	32	64487-000	Outboard Spring Adapter, <i>Replaces 64163-000</i>	2
1a	60716-002L	13.2K/14.6K		33	58258-009	M20 x 2.5-6G 230 mm Hex Bolt	2
2		Air Spring Bracket	2	34		*M20 x 2.5-6H Locknut	2
	60757-000	12K/12.5K 266 Rail		35		*M20 Flat Washer	4
	60976-000	12K/12.5K 300 Rail				<b>LH Rear Shackle Bracket Service Kit, One Side</b> Includes Key Nos. 36, 38-43	
2a	60738-001	13.2K/14.6K 266 Rail			64876-001L	266 Frame Rail	
2b	60738-002	13.2K/14.6K 300 Rail			64800-001L	300 Frame Rail	
		Air Spring Fasteners, Key Nos. 3-6 for 13.2K/14.6K only Key Nos. 7-9 for 12K/12.5K only				<b>RH Rear Shackle Bracket Service Kit, One Side</b> Includes Key Nos. 37-43	
3		*M20 x 2.5-6H Locknut	2		64876-002L	266 Frame Rail	
4		*M20 Flat Washer	2		64800-002L	300 Frame Rail	
5		*M12 x 1.75-6H Locknut	2	36		LH Rear Shackle Bracket w/Bushing (Cast Part No. 64153-001)	1
6		*M12 Flat Washer	2		64175-001	266 Frame Rail	
7		*M6 x 1-6G Hex Bolt	4		64176-001	300 Frame Rail	
8		*M6 Flat Washer	8	37		RH Rear Shackle Bracket w/Bushing (Cast Part No. 64153-002)	1
9		*M6 x 1-6H Locknut	4		64175-002	266 Frame Rail	
		Dual HCV, Link Mount & Linkage Assembly, Includes Key Nos. 10-21 •Vehicles equipped with dual HCVs, built <b>after</b> 03/05	2		64176-002	300 Frame Rail	
	65601-006	LH 12K/12.5K, <i>Replaces 65601-001</i>			60961-034	<b>Shackle Bracket Service Kit, Axle Set,</b> Includes Key Nos. 38-43	
	65601-007	RH 12K/12.5K, <i>Replaces 65601-002</i>		38	64159-000	Thrust Washer	4
	65602-006	LH 13.2K/14.6K, <i>Replaces 65602-001</i>		39	64794-000	Shackle Plate, <i>Replaces 64158-000</i>	4
	65602-007	RH 13.2K/14.6K, <i>Replaces 65602-002</i> •Vehicles equipped with a single HCV, built <b>prior to</b> 03/05, see page 5		40	58258-008	M20 x 2.5-6G 160 mm Hex Bolt	6
		LH Dual Height Control Valve Bracket	1	41	58259-001	M20 x 2.5-6H Locknut	6
10a	64480-005	12K/12.5K, <i>Replaces 64480-000</i>		42	58246-009	M20 Flat Washer	12
10b	64481-005	13.2K/14.6K, <i>Replaces 64481-000</i>		43	60631-000	Shackle Stop Spacer	2
		RH Dual Height Control Valve Bracket	1		60952-0XX	<b>STEERTEK</b> Axle Assembly, Includes Key Nos. 44-69	1
11	64480-004	12K/12.5K, <i>Replaces 64480-002</i>		44		Axle & Kingpin Assembly, 70.9 KPI	1
Not Shown	64481-004	13.2K/14.6K, <i>Replaces 64481-002</i>			64905-001	12K/12.5K, 338/366 mm Ride Ht., 4.25 Drop, <i>Replaces 59924-001</i>	
		Dual HCV & Linkage Assembly	2		64905-003	12K/12.5K, 338 mm Ride Ht., 5.36 Drop	
	59427-025	LH, <i>Replaces 59427-010,</i> Includes Key Nos. 12-17, 19-21	1		64905-005	13.2K/14.6K, 338/366 mm Ride Ht., 4.25 Drop, <i>Replaces 59924-005</i>	
	59427-026	RH, <i>Replaces 59427-012,</i> Includes Key Nos. 12-16, 18-21	1		64905-007	13.2K/14.6K, 338 mm Ride Ht., 5.36 Drop	
12	59428-004	Height Control Valve Linkage	2	45		LH Lower Steering Knuckle Assembly	1
13	64298-000	M8 x 1.25-6H Hex Nut	4		58900-007	<190 Ackermann STD Hub	
14	59169-002	M8 Link Stud	4		58900-009	>190 Ackermann STD Hub	
15	64297-000	M8 x 1.25-6H Locknut	4	45a	58900-017	<190 Ackermann Unitized Hub	
16	58246-012	M8 Flat Washer	4	45a	58900-019	>190 Ackermann Unitized Hub	
17	59935-017	LH HCV, <i>Replaces 59935-006</i>	1	46		RH Lower Steering Knuckle Assembly	1
18	59935-016	RH HCV, <i>Replaces 59935-009</i>	1		58900-008	<190 Ackermann STD Hub	
19	58246-014	M6 Flat Washer, <i>Replaces 22962-028</i>	4		58900-010	>190 Ackermann STD Hub	
20	17497-001	¼" Lockwasher	4	Not Shown	58900-018	<190 Ackermann Unitized Hub	
21	66388-000	M6 x 1.0-6H Locknut, <i>Replaces 65092-000</i>	4	Not Shown	58900-020	>190 Ackermann Unitized Hub	
22	64838-003L	Shock Absorber <i>Replaces 64838-001L, 64838-002L</i>	2	47	64246-000	ABS Sensor Sleeve	2
23		*M16 x 2-6G 90 mm Upper Shock Bolt	2	48		LH Upper Steering Knuckle Assembly	1
24		*M16 x 2-6G 110 mm Lower Shock Bolt	2		60903-011	338 mm Ride Ht.	
25		*M16 x 2-6H Locknut	4		60903-013	366 mm Ride Ht.	
26		*M16 Flat Washer	8	49	60904-002	RH Upper Steering Knuckle Assembly	1
27	64241-001	Upper Shock Bracket	2		60961-040	<b>Kingpin Bushing and Bearing Service Kit,</b> Axle Set, Includes Kit Nos. 60961-009 & 60961-039	
	60961-072	<b>Front Leaf Spring Assembly Service Kit,</b> One Side, Includes Part No. 64772-000 & Key No. 39 (Shackle Plate)			60961-009	<b>LH Kingpin Bushing w/Composite Thrust</b> <b>Bearing Service Kit,</b> Includes Key Nos. 50-53, 55-57 & Loctite	
28	64772-000	Leaf Spring Assembly with Bushings Includes Key No. 29 <i>Replaces 64485-000, 65215-000</i>	2		60961-039	<b>RH Kingpin Bushing w/Roller Thrust</b> <b>Bearing Service Kit,</b> Includes Key Nos. 50-52, 54-57 & Loctite	
29		**Steel Galvanized Liner	2	50	59156-000	Grease Cap Assembly	4
30		*Front Spring Hanger	2	51	58937-000	Retaining Ring	4
	60961-033	<b>Front Hanger Service Kit, One Side,</b> Includes Key Nos. 31-35		52	58909-000	Kingpin Bushing	4
31	64486-000	Inboard Spring Adapter, <i>Replaces 64162-000</i>	2		60961-043	<b>Thrust Bearing Service Kit, Axle Set,</b> Includes Key Nos. 53-57 & Loctite	
					60961-041	<b>LH Composite Thrust Bearing Service Kit,</b> Includes Key Nos. 53, 55-57 & Loctite	
					60961-042	<b>RH Roller Thrust Bearing Service Kit,</b> Includes Key Nos. 54-57 & Loctite	



KEY NO.	PART NO.	DESCRIPTION	NO.REQ.	KEY NO.	PART NO.	DESCRIPTION	NO.REQ.
53	59828-000	LH Composite Thrust Bearing	1		65663-003	12K/12.5K	
54	64256-000	RH Roller Thrust Bearing	1			338 mm Ride Ht., Bolt Length 225 mm	
55	58910-000	Kingpin Seal	4		65663-004	13.2K/14.6K	
56	60236-001	5/8" Socket Head Cap Screw	4			338 mm Ride Ht., Bolt Length 255 mm	
57	60259-002	Kingpin Shim	2	71	58246-009	M20 Flat Washer	8
Not Shown	60937-000	Loctite (Red) Compound Tube	1	72	65072-001	M20 x 2.5-6H Locknut	8
58		Tie Rod Assembly, Includes Key Nos. 59-63	1	73		LH Top Pad	1
		12K/12.5K				•Vehicles built with <b>Post'07</b> Engine, see page 5 for vehicles built with <b>Pre'07</b> Engine	
	60239-001	<190 Ackermann, Replaces 64801-002			67266-001L	266 Frame Rail, Replaces 64517-001, 64172-001L, 64725-001L, 65493-001L	
	60239-002	>190 Ackermann, Replaces 64801-003			67300-001L	300 Frame Rail, Replaces 64173-001L, 64173-001L, 64727-001L, 65605-001L	
		13.2K/14.6K					
	64006-001	<190 Ackermann, Replaces 64442-002					
	64006-002	>190 Ackermann, Replaces 64442-003					
59		**7/8" Castle Nut	2	74		RH Top Pad	1
		*** <b>Tie Rod End Service Kit, Axle Set,</b>				•Vehicles built with <b>Post'07</b> Engine, see page 5 for vehicles built with <b>Pre'07</b> Engine	
		Includes LH and RH Tie Rod End Service Kits			67266-002L	266 Frame Rail, Replaces 64517-002, 64172-002L, 64725-002L, 65493-002L	
	60961-010	12K/12.5K, Replaces 60961-081			67300-002L	300 Frame Rail, Replaces 64161-002, 64173-002L, 64727-002L, 65605-002L	
	60961-011	13.2K/14.6K, Replaces 60961-082					
		*** <b>LH Tie Rod End Service Kit,</b>					
		Includes Key Nos. 60, 62-63					
	60961-025	12K/12.5K, Replaces 60961-083		75	64080-000	Rubber Axle Stop	2
	60961-027	13.2K/14.6K, Replaces 60961-085		76	64166-000	Air Spring Adapter for Top Pad	2
		*** <b>RH Tie Rod End Service Kit,</b>				13.2K/14.6K Only	
		Includes Key Nos. 61-63					
	60961-026	12K/12.5K, Replaces 60961-084		77		LH Dowel Pin	1
	60961-028	13.2K/14.6K, Replaces 60961-086				•Vehicles equipped with dual HCVs, built <b>after</b> 03/05	
60		***LH Tie Rod End	1		57159-004	366 mm Ride Height, 66.8 mm	
	64000-001	12K/12.5K, Replaces 65033-001				•Vehicles equipped with a single HCV built <b>prior to</b> 03/05	
	64002-001	13.2K/14.6K, Replaces 65034-001			57159-007	338 mm Ride Height, 79.5 mm	
61		***RH Tie Rod End	1		57159-012	338 mm Ride Height, 85.9 mm	
	64000-002	12K/12.5K, Replaces 65033-002			57159-009	366 mm Ride Height, 107.2 mm	
	64002-002	13.2K/14.6K, Replaces 65034-002			57159-013	366 mm Ride Height, 115 mm	
62	22962-007	7/8" Flat Washer	2	78		RH Dowel Pin	1
63	17800-004	Tie Rod Nut Cotter Pin	2			•Vehicles equipped with dual HCVs built <b>after</b> 03/05	
64	60238-001	1/2"-13 UNC Square Head Bolt	2		57159-004	366 mm RRide Height, 66.8 mm	
65	60240-000	1/2"-13 UNC Hex Jam Nut	2			•Vehicles equipped with a single HCV built <b>prior to</b> 03/05	
66	59952-017	Top Axle Wrap, Replaces 59952-013 & 59952-014	2		57159-004	338 mm Ride Height, 66.8 mm	
67	64722-003	Bottom Axle Wrap, Replaces 64014-003 & 60622-003	2		57159-008	366 mm Ride Height, 94.8 mm	
		<b>Clamp Group Service Kit, One Side,</b>					
		Includes Key Nos. 68-72		79		LH Front Axle Spacer	1
	60961-185	12K/12.5K and 13.2K/14.6K				•Vehicles equipped with dual HCVs built <b>after</b> 03/05	
		366 mm Ride Height, 4.25 Drop			64318-028	366 mm Ride Height, 28 mm	
		338 mm Ride Height, 5.36 Drop				•Vehicles equipped with a single HCV built <b>prior to</b> 03/05	
	60961-186	12K/12.5K, 338 mm Ride Ht., 4.25 Drop			64318-012	338 mm Ride Height, 12 mm	
	60961-187	13.2K/14.6K, 338 mm Ride Ht., 4.25 Drop			64318-020	338 mm Ride Height, 20 mm	
	60961-015	<b>Top/Bottom Axle Wrap Liner Service Kit, One Side,</b> Includes Key Nos. 68-69			64318-040	366 mm Ride Height, 40 mm	
68	60508-000	Top Axle Wrap Liner	2		64318-048	366 mm Ride Height, 48 mm	
69	59845-000	Bottom Axle Wrap Liner	2	80		RH Front Axle Spacer	1
70		M20 x 2.5-6G U-bolt	4			•Vehicles equipped with dual HCVs built <b>after</b> 03/05	
		• Vehicles built with <b>Post'07</b> Engine, see page 5 for vehicles built with <b>Pre'07</b> Engine			64318-028	366 mm Ride Height, 28 mm	
	65663-002	12K/12.5K and 13.2K/14.6K					
		366 mm Ride Ht., Bolt Length 275 mm					

**NOTE:** \* Not supplied by Hendrickson, used for reference only. Refer to OEM (vehicle manufacturer) for more information. Hendrickson is not responsible for components supplied by vehicle manufacturer. For assistance with maintenance and rebuild instructions on these components see vehicle manufacturer.

\*\* Item included in assembly only, part not sold separately.

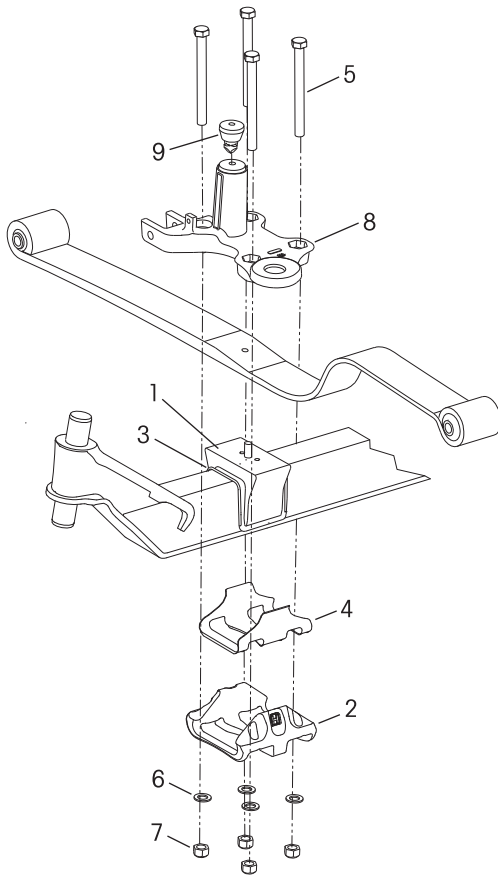
\*\*\* Hendrickson supplies different tie rod assemblies and each type may take a different replacement tie rod end kit to service. Prior to ordering find the part number on the tie rod tube, see Hendrickson Literature No. SEU-0223 or contact Hendrickson Sales Engineering for corresponding kit numbers.

#### HENDRICKSON AIRTEK RIDE HEIGHT GAUGES FOR VOLVO VEHICLES:

Lit No. 45745-170 (12K/12.5K Capacity) or Lit No. 45745-195 (13.2K/14.6K Capacity). Height Gauges can be obtained on-line at [www.hendrickson-intl.com/literature/litform.asp](http://www.hendrickson-intl.com/literature/litform.asp)

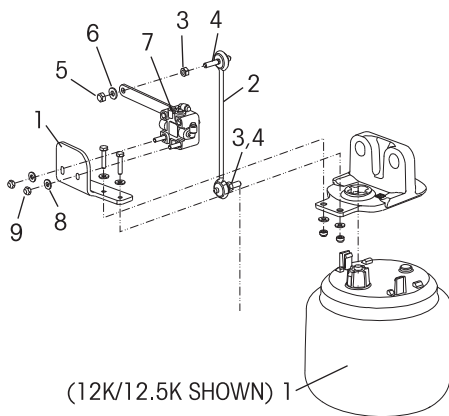


**Top Pad with Hex Bolt**  
For Vehicles with Pre'07 Engine  
(L.H. Side Shown)



KEY NO.	PART NO.	DESCRIPTION	NO.REQ.
1	59952-017	Top Axle Wrap	2
2	64722-003	Bottom Axle Wrap	2
		<b>Clamp Group Service Kit, One Side,</b> Includes Key Nos. 3-7	
		•Vehicles equipped with dual HCVs, built <b>after</b> 03/05 12K/12.5K and 13.2K/14.6K	
	60961-035	338 mm Ride Ht.	
	60961-036	366 mm Ride Ht.	
		•Vehicles equipped with a single HCV, built <b>prior to</b> 03/05	
	60961-035	12K/12.5K, 338 mm Ride Ht.	
	60961-036	12K/12.5K, 366 mm Ride Ht.	
	60961-037	13.2K/14.6K, 338 mm Ride Ht.	
	60961-038	13.2K/14.6K, 366 mm Ride Ht.	
3	60508-000	Top Axle Wrap Liner	2
4	59845-000	Bottom Axle Wrap Liner	2
5		M20 x 2.5-6G Hex Bolt	8
		•Vehicles equipped with dual HCVs, built <b>after</b> 03/05 12K/12.5K and 13.2K/14.6K	
	58258-007	338 mm Ride Ht., Bolt Length 220 mm	
	58258-011	366 mm Ride Ht., Bolt Length 230 mm	
		•Vehicles equipped with a single HCV, built <b>prior to</b> 03/05 12K/12.5K	
	58258-009	338 mm Ride Ht., Bolt Length 230 mm	
	58258-010	366 mm Ride Ht., Bolt Length 250 mm	
		13.2K/14.6K	
	58258-007	338 mm Ride Ht., Bolt Length 220 mm	
	58258-011	366 mm Ride Ht., Bolt Length 250 mm	
6	58246-009	M20 Flat Washer	8
7	65072-001	M20 x 2.5-6H Locknut	8
8		Top Pad Assembly, (Pre '07 Engine Top Pads are obsolete. If top pad replacement is required, replace with current top pad and U-bolts, see Key Nos. 70, 73 and 74)	
9	64080-000	Rubber Axle Stop	2

**Single Height Control Valve**  
For vehicles built prior to 03/05



KEY NO.	PART NO.	DESCRIPTION	NO.REQ.
		Single HCV, Link Mount & Linkage Assembly, 1 Includes Key Nos. 1-9	1
	64089-000	12K/12.5K	
	64094-000	13.2K/14.6K	
1		Single Height Control Valve Bracket	1
	64480-000	12K/12.5K	
	64481-000	13.2K/14.6K	
	59427-006	Single Height Control Valve & Linkage Assembly, Includes Key Nos. 2-9	1
2	59428-004	Height Control Valve Linkage	1
3	64298-000	M8 x 1.25-6H Hexnut	2
4	59169-002	M8 Link Stud	2
5	64297-000	M8 x 1.25-6H Locknut	2
6	58246-012	M8 Flat Washer	2
7	59935-003	Height Control Valve	1
8	22962-028	1/4" Flat Washer	2
9	49983-000	1/4" 20 UNC Locknut	2

Obtain a Hendrickson **Dual Height Control Valve Conversion Kit** to convert a single height control valve to dual height control valves configuration.

**Dual Height Control Valve and Linkage Kit**

60961-101	12K/12.5K Capacity
60961-102	13.2K/14.6K Capacity

This is a general parts list to provide directional information. Components may vary by model. For part questions, contact Hendrickson Sales Engineering at 630.910.2800 (email: [truckparts@hendrickson-intl.com](mailto:truckparts@hendrickson-intl.com)).

---

[www.hendrickson-intl.com](http://www.hendrickson-intl.com)



Truck Suspension Systems  
800 South Frontage Road  
Woodridge, IL 60517-4904 USA

630.910.2800  
Fax 630.910.2899