

H PARTS LIST

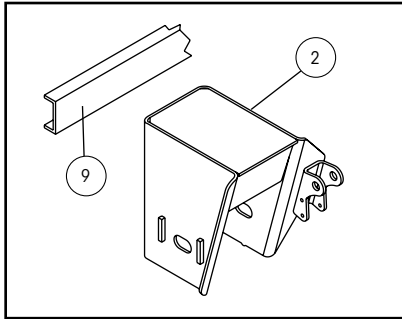
INTRAAX® AAL 23K / 25K / 30K

LIT NO: L1060

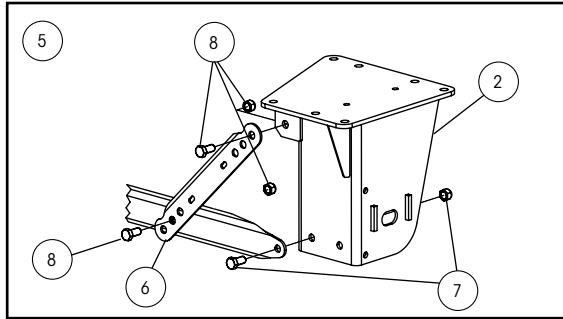
DATE: January 2022

REVISION: D

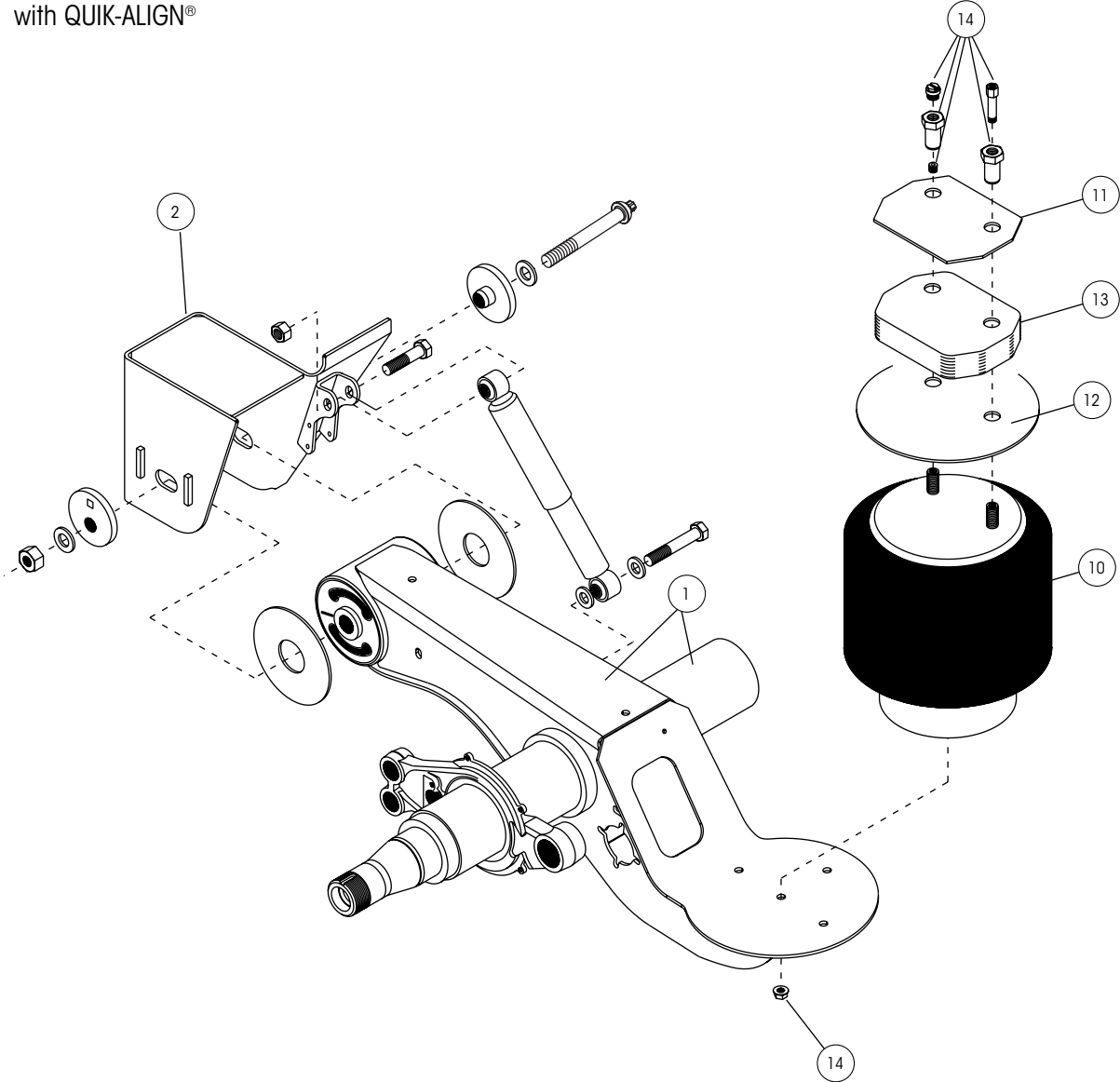




Wingless, weld-on frame bracket with QUIK-ALIGN®



Wingless, bolt-on frame bracket with QUIK-ALIGN®





INTRAAX® AAL 23K / 25K / 30K PARTS LIST

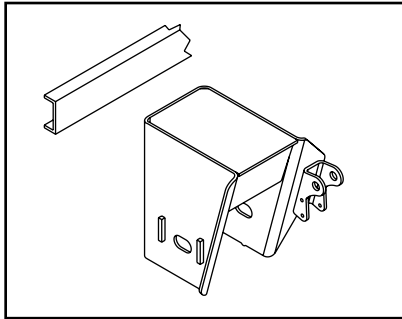
| ITEM | DESCRIPTION | PART NO. | QTY. | NOTE | |
|------|---|------------------|------------|--|-----------------------------|
| 1 | AXLE / BEAM WELDMENT | HTRAAX.### | 1 | Contact Hendrickson for assistance | |
| 2 | FRAME BRACKET ¹ | | | See L1266 Frame Bracket Parts List | |
| 3 | FRAME BRACKET GUSSET (Not Shown) | S-27330 | 2 | 9" - 17" ride height | |
| 4 | FRAME BRACKET BRACE (Not Shown) | B-2347-7 | 1 | Used for 19" ride height | |
| 5 | BOLT-ON C-CHANNEL KIT ² | | | | |
| | 71.5" Track | S-31901-3C | 1 | Standard/black primer; includes c-channel, 2 struts and strut bolt kit | |
| | 77.5" Track | S-31901-1C | 1 | Standard/black primer; includes c-channel, 2 struts and strut bolt kit | |
| 6 | STRUT ² | B-30591 | 2 | 2 | |
| 7 | C-CHANNEL BOLT KIT | S-29822 | 1 | Includes 2 screws and 2 prevailing torque nuts | |
| 8 | STRUT BOLT KIT | S-30720 | 1 | Includes 6 screws and 6 prevailing torque nuts | |
| 9 | WELD-ON C-CHANNEL | | | | |
| | 71.5" - 77.5" Tracks | A-1631-19 | 1 | | |
| | 83.5" - 85" Tracks | A-1631-35 | 1 | | |
| 10 | AIR SPRING (Standard Pressure) | | | | |
| | | 23K | 25K | 30K | |
| | 6.5" - 7.5" Ride heights | S-23720 | S-23721 | — | 2 |
| | 8" - 9" Ride heights | S-23613 | S-23611 | S-25871 | 2 |
| | 12" - 19" Ride heights | S-23614 | S-23612 | S-25872 | 2 |
| 11 | AIR SPRING MOUNTING PLATE ³ | | | | |
| | 14" - 16" Ride heights | | S-20905 | 2 | Weld-on hangers |
| | 14" - 16" Ride heights | | S-21145 | 2 | Bolt-on hangers |
| 12 | AIR SPRING FLEX PLATE ³ | | | | |
| | 9" - 19" Ride heights | | S-23294 | 2 | Weld-on and bolt-on hangers |
| | 12" Ride heights | | B-24813 | 2 | Bolt-on hangers |
| 13 | AIR SPRING SPACER ³ | | | | |
| | Five Inch Axle and LDA Large Diameter Axle | | | | |
| | 14" Ride height | | S-22510-4 | 2 | Weld-on and bolt-on hangers |
| | 15" Ride height | | S-22510-2 | 2 | Weld-on and bolt-on hangers |
| | 16" Ride height | | S-22510-3 | 2 | Weld-on and bolt-on hangers |
| | 17" Ride height | | D-27049-5 | 2 | Weld-on hangers |
| | 19" Ride height | | D-27049-4 | 2 | Weld-on hangers |
| 14 | AIR SPRINGS MOUNTING KIT ³ | | | | |
| | | 23K / 25K | 30K | | |
| | 6.5" - 12.0" Ride height | S-22619/2 | — | 2 | |
| | 9" - 12.0" Ride height | — | S-25452/2 | 2 | |
| | 14.0" Ride height | S-22630/2 | S-25453/2 | 2 | |
| | 15.0" Ride height | S-22631/2 | S-25454/2 | 2 | |
| | 16.0" Ride height | S-22632/2 | S-25455/2 | 2 | |
| | 17.0" Ride height | S-22619/2 | S-25452/2 | 2 | |
| | 19.0" Ride heights | S-22619/2 | S-25452/2 | 2 | |

1. Options exist based on frame attachment, frame bracket style, bolt hole pattern and connection. Contact Hendrickson for assistance or refer to L1266 Frame Bracket Parts List.

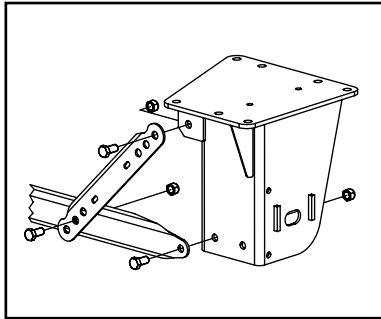
2. Struts are only optional for bolt-on frame brackets. Other options exist for galvanized or different track widths.

3. Standard options listed. Other options exist. Contact Hendrickson for assistance.

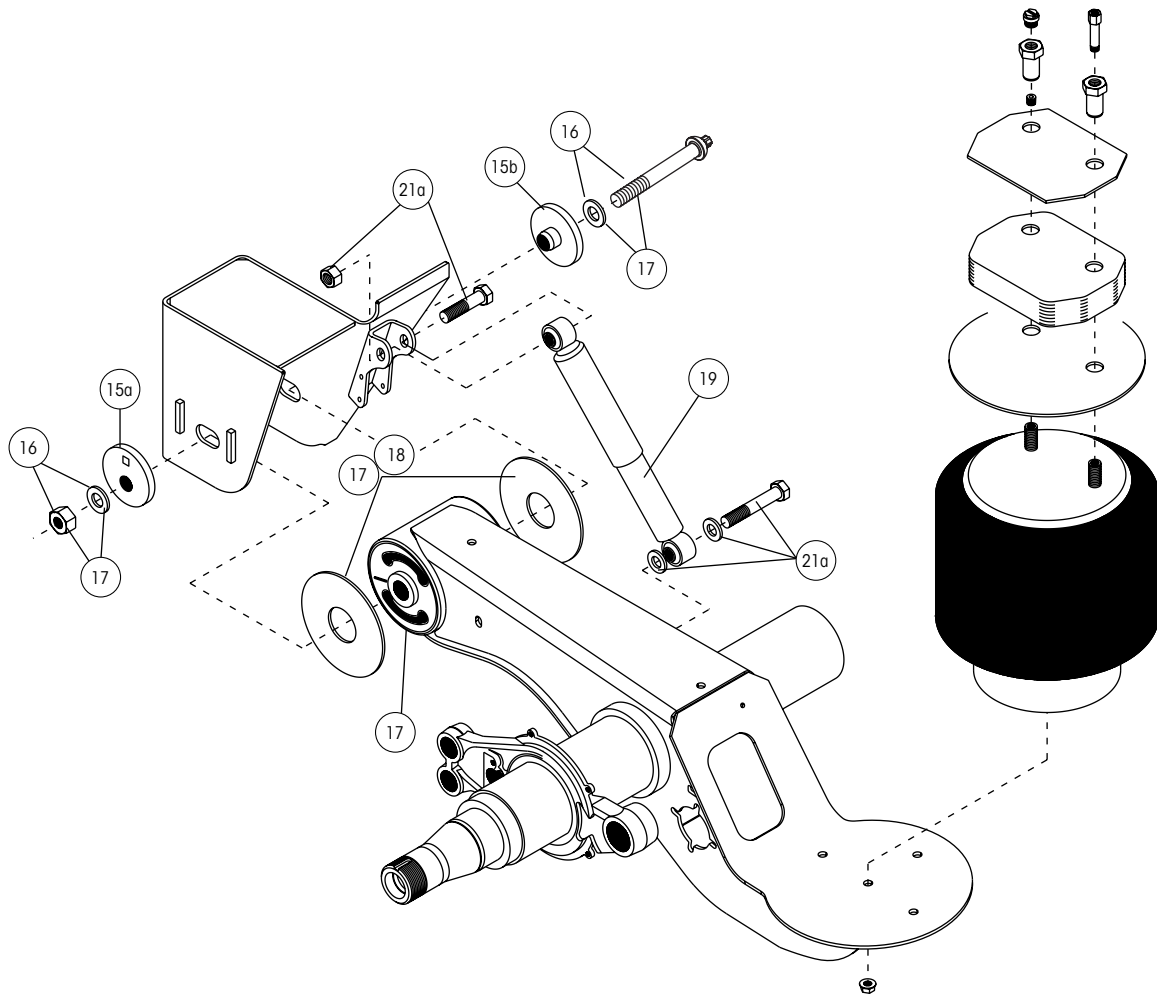
Note: Identification tag can be found on the inside of the curbside beam.



Wingless, weld-on frame bracket with QUIK-ALIGN®



Wingless, bolt-on frame bracket with QUIK-ALIGN®





INTRAAX® AAL 23K / 25K / 30K PARTS LIST

| ITEM | DESCRIPTION | PART NO. | QTY. | NOTE |
|-----------|--|---------------|-------------|--|
| 15 | ALIGNMENT COLLARS | | | |
| | 15a Eccentric | S-20925 | 2 | Pivot bolt hole is offset from center of collar |
| | 15b Concentric | S-20924 | 2 | Pivot bolt hole is in center of collar |
| 16 | QUIK-ALIGN® PIVOT BOLT KIT⁴ | | | |
| | 16a Pivot bolt kit | S-24679 | 2 | Includes 10" shear-type bolt, nut, and washers |
| | 16b Pivot bolt kit w/bushing tube spacers | | | |
| | Standard | S-26369 | 2 | Includes 10" shear-type bolt, nut, washers, and std. bushing tube spacers (Item 18) |
| | Off-Highway | S-40394-1 | 2 | Includes 10" shear-type bolt, nut, washers, and off-highway bushing tube spacers (Item 18) |
| | 16c Pivot bolt kit w/alignment collars | S-24680 | 2 | Includes 10" shear-type bolt, nut, washers, and alignment collars |
| 17 | TRI-FUNCTIONAL® BUSHING KIT^{4,5} | | | |
| | Standard | S-24691 | 2 | Includes bushing, pivot bolt kit (Item 16a), std. bushing tube spacers (Item 18) and lube |
| | Off-Highway | S-40393-1 | 2 | Includes bushing, pivot bolt kit (Item 16a), off-highway bushing tube spacers (Item 18) and lube |
| | Standard pivot bushing kit w/alignment collars | S-28654 | 1 | Includes 2 bushings, 2 pivot bolt kits (Item 16a), std. bushing tube spacers (Item 18) and lube |
| 18 | BUSHING TUBE SPACERS | | | 4 required per axle |
| | Standard | S-21099 | 4 | |
| | Off-Highway | S-40230-1 | 4 | |
| 19 | FRONT SHOCK ABSORBER | | | |
| | 6.5" - 9" Ride heights | S-23651 | 2 | Standard travel, standard duty cycle |
| | 6.5" - 9" Ride heights | S-24579 | 2 | Standard travel, extended service |
| | 12" Ride height | S-23566 | 2 | Standard travel, standard duty cycle |
| | 12" Ride height | S-24023 | 2 | Standard travel, extended service |
| | 14" - 19" Ride heights | S-2212 | 2 | Standard travel, standard duty cycle |
| | 14" - 19" Ride heights | S-23316 | 2 | Standard travel, extended service |
| 20 | REAR SHOCK ABSORBER (Not Shown) | | | |
| | 6.5" - 7.5" Ride heights | S-20345 | 2 | |
| | 9" - 12" Ride heights | S-25436 | 2 | |
| | 14" - 17" Ride heights | S-25437 | 2 | |
| 21 | SHOCK BOLT KIT | | | |
| | | 5-inch | LDA™ | |
| | 21a Front shock absorber | S-24757/2 | S-31080/2 | 2 (1) One kit per shock |
| | 21b Rear shock absorber (Not Shown) | S-2157/2 | S-2157/2 | 2 (1) One kit per shock |

4. Best installed with Hendrickson's E-20 socket S-24536 (1-inch drive sleeveless), S-25119 (1-inch drive sleeve) or S-24303 (3/4-inch drive sleeveless).

5. Bushing tool S-21307 is required to correctly rebush the suspension.

*Actual product performance may vary depending upon vehicle configuration, operation, service and other factors.
All applications must comply with applicable Hendrickson specifications and must be approved by the respective vehicle manufacturer with the vehicle in its original, as-built configuration.
Contact Hendrickson for additional details regarding specifications, applications, capacities, and operation, service and maintenance instructions.*

Call Hendrickson at 330.489.0045 or 866.RIDEAIR (743.3247) for additional information.



www.hendrickson-intl.com

TRAILER COMMERCIAL VEHICLE SYSTEMS

2070 Industrial Place SE
Canton, OH 44707-2641 USA
866.RIDEAIR (743.3247)
330.489.0045 • Fax 800.696.4416

Hendrickson Canada ULC

2825 Argentina Road, Unit #2 - 4
Mississauga, ON Canada L5N 8G6
800.668.5360
905.789.1030 • Fax 905.802.9423

Hendrickson Mexicana

Circuito El Marqués Sur #29
Parque Industrial El Marqués
Pob. El Colorado, Municipio El Marqués,
Querétaro, México C.P. 76246
+52 (442) 296.3600 • Fax +52 (442) 296.3601

L1060 Rev D 01-22

© 2008 - 2022 Hendrickson USA, L.L.C. All Rights Reserved. All trademarks shown are owned by Hendrickson USA, L.L.C., or one of its affiliates, in one or more countries.
Information contained in this literature was accurate at the time of publication. Product changes may have been made after the copyright date that are not reflected.

Printed in United States of America