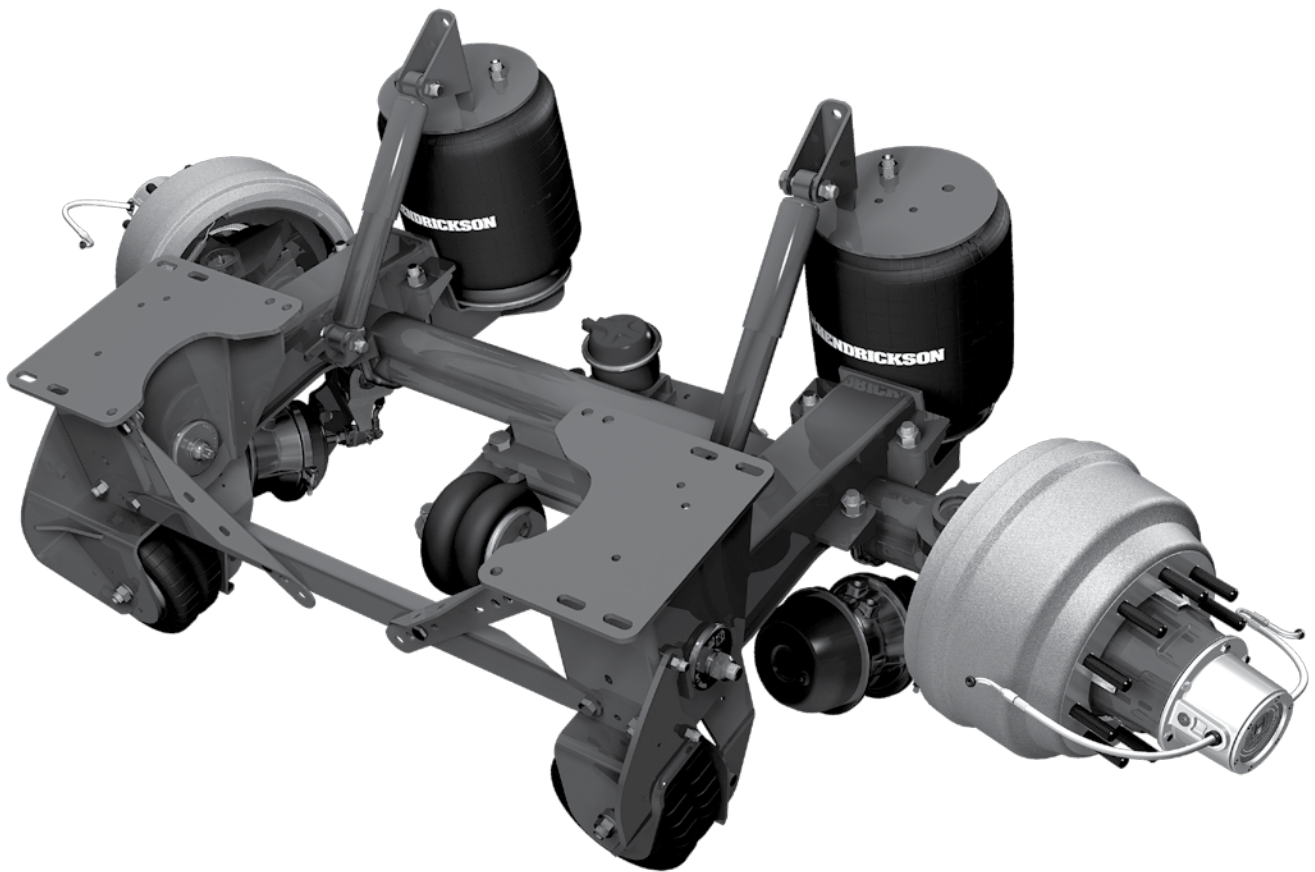


H **CONNEX™-ST**
TRAILER SELF-STEER
SUSPENSION SPECIFICATIONS

LIT NO: L1247

DATE: November 2016 REVISION: A



CONNEX™ -ST TRAILER SELF-STEER SUSPENSION SPECIFICATIONS



APPLICATIONS	
*CAPACITY:	25,000 lbs. (11 300 kg)
TRAILER TYPES:	Van, Flat, Platform, Dump, Tanker, Grain
AXLE DATA:	5-inch diameter round, 3/4-inch wall
AXLE ARRANGEMENT:	Tri, Quad or more suspensions
FRAME TYPES:	Steel or aluminum; 96-inch or 102-inch wide trailers
**WHEEL CUT:	Adjustable from 20 to 30 degrees
WHEEL COMPATIBILITY:	Duals, wide-based singles or super singles
LIFTABLE:	Available with UBL™ UNDER BEAM LIFT™ Kits. See table below for suspension lift.
BASE MODEL DESCRIPTION:	CONNEX-ST trailer self-steer suspension system, 14 inch ride height, weld-on, winged frame brackets with QUIK-ALIGN®, 77.5-inch track axle, HP spindles, standard shocks, 16.5-inch x 7-inch drum brakes, ABS brackets, Cam Tube System™, type 30 brake chambers, 5.5-inch slack adjusters and HXS® 20K brake lining. Dust shields included and equipped with RTR® READY-TO-ROLL® wheel-end package, HXL5® Hendrickson Extended-Life 5-year system™. Equipped with ductile iron hub and standard duty cast drum.
***BASE MODEL WEIGHT:	1,440 lbs.
OTHER OPTIONS:	Additional options include bolt-on frame brackets with weld-on or bolt-on c-channel with struts. Brake lining options are HXS 23K with type 30/30 brake chambers and 6-inch slack adjusters. Ride heights range from 13 inches to 19 inches with various axle tracks including 79.5, 80, 81, 83.5, 84, 85 and 86 inches. HXL3® Hendrickson Extended-Life 3-year system™ also available. TIREMAAX® CP & PRO tire inflation systems available. Contact your Hendrickson representative to discuss these and other product options.

* Capacity refers to suspension ratings, except where noted. Ratings for brakes and wheel-end components differ depending upon options chosen.

** Availability based on trailer frame geometry, axle, axle track, suspension frame bracket spacing, wheel cut and tire size combinations.

*** Based on 14-inch ride height model with 77.5-inch axle track, basic brake package and RTR READY-TO-ROLL wheel-ends.

SPECIFICATIONS

CONNEX-ST			
RIDE HEIGHT (inches)	JOUNCE ¹ (inches)	REBOUND ¹ (inches)	LIFT (inches)
13	5.0	4.2	4.4
14	6.0	3.2	5.4
15	6.5	3.1	5.9
16	6.1	3.0	5.5
17	6.5	3.1	5.9
18	6.1	3.0	5.5
19	6.5	3.1	5.9

¹ Jounce and rebound figures are shown for models with standard weld-on frame brackets and standard shock absorbers. These values differ slightly for other models and options. Contact Hendrickson for more information.

Call Hendrickson at **330.489.0045** or **866.RIDEAIR (743.3247)** for additional information.



www.hendrickson-intl.com

TRAILER COMMERCIAL VEHICLE SYSTEMS
2070 Industrial Place SE
Canton, OH 44707-2641 USA
866.RIDEAIR (743.3247)
330.489.0045 • Fax 800.696.4416

Hendrickson Canada
250 Chrysler Drive, Unit #3
Brampton, ON Canada L6S 6B6
800.668.5360
905.789.1030 • Fax 905.789.1033

Hendrickson Mexicana
Circuito El Marqués Sur #29
Parque Industrial El Marqués
Pob. El Colorado, Municipio El Marqués,
Querétaro, México C.P. 76246
+52 (442) 296.3600 • Fax +52 (442) 296.3601