

H PARTS LIST

HAS™ Rear Air Suspension for Ford Vehicles

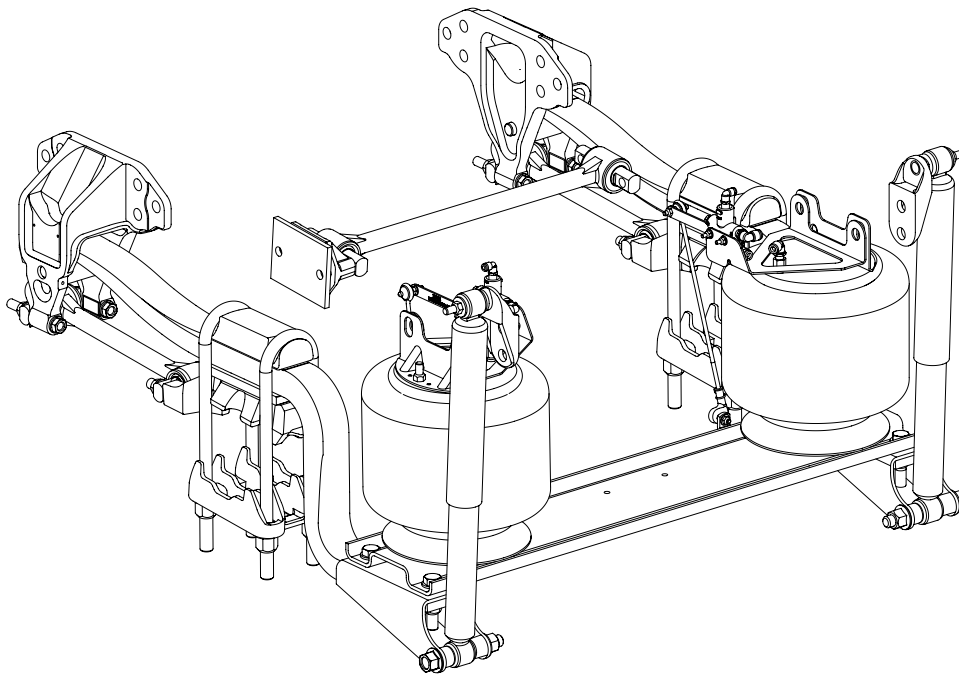
LIT NO: SP-296

DATE: January 2017

REVISION: B

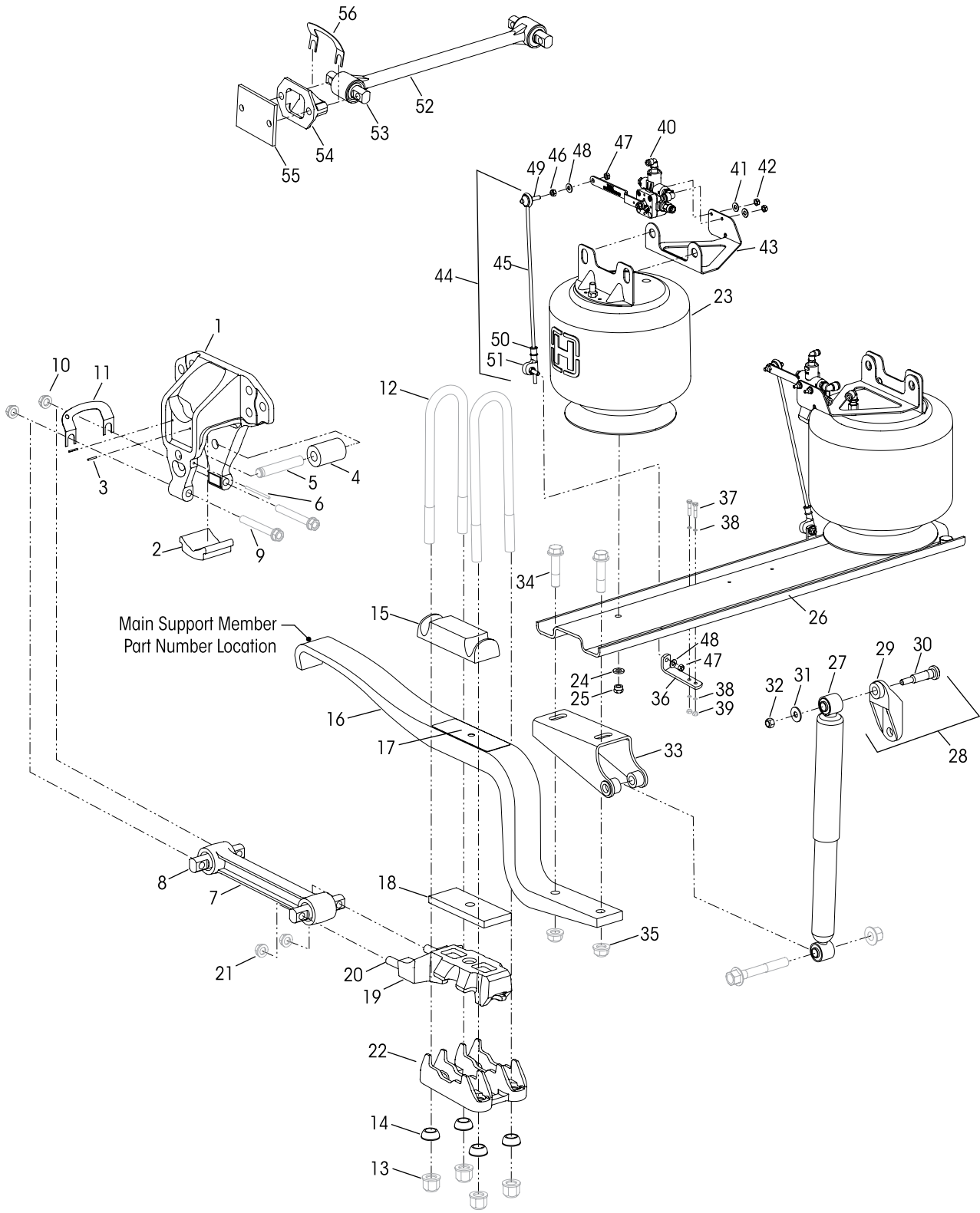
CONTENTS

| DESCRIPTION | PAGE |
|-----------------------------------|------|
| Parts List | 2 |
| Spring Seat Selection Guide | 4 |
| Special Tool | 4 |





12K • 19K • 21K • 23K Capacity





| KEY NO. | PART NO. | DESCRIPTION | VEHICLE QTY. | KEY NO. | PART NO. | DESCRIPTION | VEHICLE QTY. |
|---------|------------|---|--------------|---------|------------|---|--------------|
| 1 | 58425-007 | Frame Hanger Assembly, Includes Key Nos. 2-3 | 2 | 27 | | Shock Absorber, HI-TORQUE™ | 2 |
| | 56557-005 | Slipper Pad Service Kit, One Hanger, Includes Key Nos. 2-3 | | | 60670-011 | 8.8" Ride Height | |
| 2 | 56929-000 | Slipper Pad | 2 | | 60670-012 | 7.8" • 9.6" Ride Height | |
| 3 | 58287-001 | Slotted Spring Pin, 1" Lock Pin - 1/8" Diameter | 4 | 28 | 76865-001 | Upper Shock Bracket Assembly, Includes Key Nos. 29-30 | 2 |
| 4 | 57989-000 | Rebound Roller | 2 | 29 | | **Upper Shock Bracket | |
| 5 | | *Rebound Roller Spacer | 2 | 30 | | **1/2"-13 UNC Serrated Shank Bolt | 2 |
| 6 | | *Rebound Pin | 2 | 31 | 22962-049 | 1/2" Flat Hardened Washer | 2 |
| 7 | 62007-365 | Longitudinal Torque Rod Assembly Includes Key No. 8 | 2 | 32 | 49846-001 | 1/2"-13 UNC Locknut | 2 |
| 8 | 47691-000L | Torque Rod Bushing | 4 | 33 | 57355-000 | Lower Shock Bracket | 2 |
| 9 | | *5/8"-11 UNC x 5" Flange Bolt | 4 | 34 | | *3/4"-10 UNC x 3/4" Flange Bolt | 4 |
| 10 | | *5/8"-11 UNC Flange Locknut | 4 | 35 | | *3/4" Flange Locknut | 4 |
| 11 | 49689-000L | 1/16" Torque Rod Shim | As Req. | 36 | 56789-000 | HCV Linkage Lower Bracket | 2 |
| 12 | | *7/8"-14 UNF U-bolt | 4 | 37 | | *M6 x 25 mm Bolt | 2 |
| 13 | | *7/8" U-bolt Flange Nut | 8 | 38 | | *M6 Flat Hardened Washer | 4 |
| 14 | 48574-000 | 7/8" Spherical Washer | 8 | 39 | | *M6 Locknut | 2 |
| 15 | 56805-000 | Top Pad | 2 | 40 | | Height Control Valve | |
| 16 | | Main Support Member, Includes Key No. 17 | 2 | | 60501-003 | Left Hand | 1 |
| | 56928-000 | 1 3/4" - HAS 19K Low Profile | | | 60501-002 | Right Hand | 1 |
| | 56937-000 | 1 1/2" - HAS 12K | | 41 | 22962-028 | 1/4" Flat Washer | 4 |
| | 56940-000 | 1 3/4" - HAS 19K | | 42 | 49983-000 | 1/4"-20 UNC Hex Nut | 4 |
| | 56943-000 | 1 7/8" - HAS 21K | | 43 | | Height Control Valve Mounting Bracket | |
| | 56946-000 | 2" - HAS 23K | | | 75837-001 | Left Hand | 1 |
| 17 | 47905-000 | Delrin Liner | 2 | | 75837-002 | Right Hand | 1 |
| 18 | | Spring Seat Spacer | 2 | 44 | | HCV Linkage Assembly Kit, Includes Key Nos. 45-51 | 2 |
| | 48531-007 | 15.9 mm | | | 76866-001 | 8.8" Ride Height | |
| | 48531-006 | 19.1 mm | | | 76866-009 | 7.8" • 9.6" Ride Height | |
| | 48531-010 | 50.8 mm | | 45 | | **Linkage Rod | 1 |
| 19 | | Spring Seat Assembly, Includes Key No. 20 <i>See Selection Guide on Page 4</i> | 2 | 46 | | **5/16"-18 UNC Jam Nut | 2 |
| 20 | 50918-000 | 5/8"-11 UNC Stud | 4 | 47 | | **5/16"-18 UNC Locknut | 2 |
| 21 | | *5/8"-11 UNC Flange Locknut | 4 | 48 | | **5/16" Flat Hardened Washer | 2 |
| 22 | 70821-000 | Axle Bottom Cap | 2 | 49 | | **5/16"-18 UNC Stud | 2 |
| 23 | | Air Spring Assembly w/Upper Frame Bracket | 2 | 50 | | **Linkage Rod Clamp | 1 |
| | 76861-002 | 8.8" Ride Height | | 51 | | **Adjustable Linkage Rod Joint | 1 |
| | 76940-002 | 7.8" • 9.6" Ride Height | | 52 | | ***Transverse Torque Rod, Straddle / Straddle Include Bushings | 1 |
| | 49177-006 | Air Spring Fastener Service Kit, Axle Set Includes Key Nos. 24-25 | | | 62000-575 | HAS 21K • 23K use w/Dana 21060S Axle | |
| 24 | | **1/2" Flat Hardened Washer | 2 | | 62000-595 | HAS 12K • 19K use w/Meritor S140 Axle | |
| 25 | | **1/2"-13 UNC Nylocknut | 2 | | | HAS 21K • 23K use w/Dana 21065T Axle | |
| 26 | | Cross Channel, 40 1/2" Dowel Pin Centers | 1 | | 62000-615 | HAS 23K use w/Meritor S170 Axle | |
| | 57317-003 | Non-reinforced Frame Rail | | 53 | 47691-000L | Torque Rod Bushing | 2 |
| | 57317-010 | Reinforced Frame Rail | | 54 | 22186-000 | Transverse Torque Rod Frame Bracket | 1 |
| | | | | 55 | 45045-010 | Backup Plate | 1 |
| | | | | 56 | 49689-000L | Torque Rod Shim | As Req. |

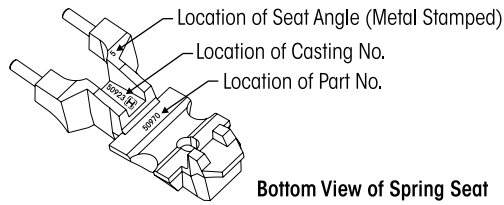
NOTE: * Not supplied by Hendrickson, used for reference only. Hendrickson is not responsible for components supplied by the vehicle manufacturer. For assistance with maintenance and rebuild instructions on these components see vehicle manufacturer.

** Item included in kit/assembly only, part not sold separately.

*** Transverse torque rods are mandatory with the HAS Series Suspension. See Literature No. 59310-004 for mandatory use of transverse torque rods.



■ Spring Seat Selection Guide



Total of two (2) spring seats required per single suspension, one of each at the left front and right front location.

KEY NO. 19

Dana: DS 402, 20160S, 20165T
Meritor: SQ-100, SSHD-LHF, RT-40, RT-46-ALL POS, S140, S170

| SEAT ANGLE | NON-REINFORCED FRAME RAIL | | REINFORCED FRAME RAIL | |
|------------------------------|---------------------------|------------|-----------------------|----------|
| | RIGHT / LEFT HAND | RIGHT HAND | LEFT HAND | |
| CASTING NO. 50923-000 | | | | |
| | PART NO. | PART NO. | PART NO. | PART NO. |
| 4° | 76843-005 | 76844-005 | 75926-005 | |
| 5° | 76843-007 | 76844-007 | 75926-007 | |
| 6° | 76843-009 | 76844-009 | 75926-009 | |
| 7° | 76843-011 | 76844-011 | 75926-011 | |
| CASTING NO. 50971-000 | | | | |
| 8° | 76843-001 | 76844-001 | 75926-001 | |

■ Special Tool

TORQUE ROD BUSHING FUNNEL TOOL



Hendrickson Part No. 66086-001L
For ULTRA ROD Bushing 47691-000

This is a general parts list to provide directional information. Components may vary by model. Questions in regards to parts, contact Hendrickson Truck Parts at 1.866.755.5968 (Toll-free U.S. and Canada), 1.630.910.2800 (Outside U.S. and Canada) or e-mail: truckparts@hendrickson-intl.com.

www.hendrickson-intl.com



Truck Commercial Vehicle Systems
800 South Frontage Road
Woodridge, IL 60517-4904 USA

1.866.755.5968 (Toll-free U.S. and Canada)
630.910.2800 (Outside U.S. and Canada)
Fax 1.630.910.2899